



US00D462436S

(12) **United States Design Patent**
Bennett et al.

(10) **Patent No.:** **US D462,436 S**

(45) **Date of Patent:** **** Sep. 3, 2002**

(54) **VENT COVER**

(75) Inventors: **Robb Edward Bennett**, Prior Lake;
David Charles Lyons, Red Wing, both
of MN (US)

(73) Assignee: **Hon Technology Inc.**, Muscatine, IA
(US)

(**) Term: **14 Years**

(21) Appl. No.: **29/116,967**

(22) Filed: **Jan. 13, 2000**

(51) **LOC (7) Cl.** **23-99**

(52) **U.S. Cl.** **D23/393**

(58) **Field of Search** D23/393, 395,
D23/388; D25/54; 52/742.14, 169.1, 213,
247, 107; 29/453, 460

(56) **References Cited**

U.S. PATENT DOCUMENTS

D53,050 S * 3/1919 Scherer D23/388
3,099,900 A * 8/1963 Beck 52/742.15

* cited by examiner

Primary Examiner—Mitchell Siegel

(74) *Attorney, Agent, or Firm*—Merchant & Gould P.C.

(57) **CLAIM**

The ornamental design for a vent cover, as shown and described.

DESCRIPTION

FIG. 1 is a front and top left perspective view of a vent cover;

FIG. 2 is a bottom plan view of the vent cover shown in FIG. 1;

FIG. 3 is a top plan view of the vent cover shown in FIG. 1;

FIG. 4 is a side elevational view of the vent cover shown in FIG. 1;

FIG. 5 is a back elevational view of the vent cover shown in FIG. 1; and,

FIG. 6 is a front elevational view of the vent cover shown in FIG. 1.

The broken line showing is for illustrative purposes only and forms no part of the claimed design.

1 Claim, 3 Drawing Sheets

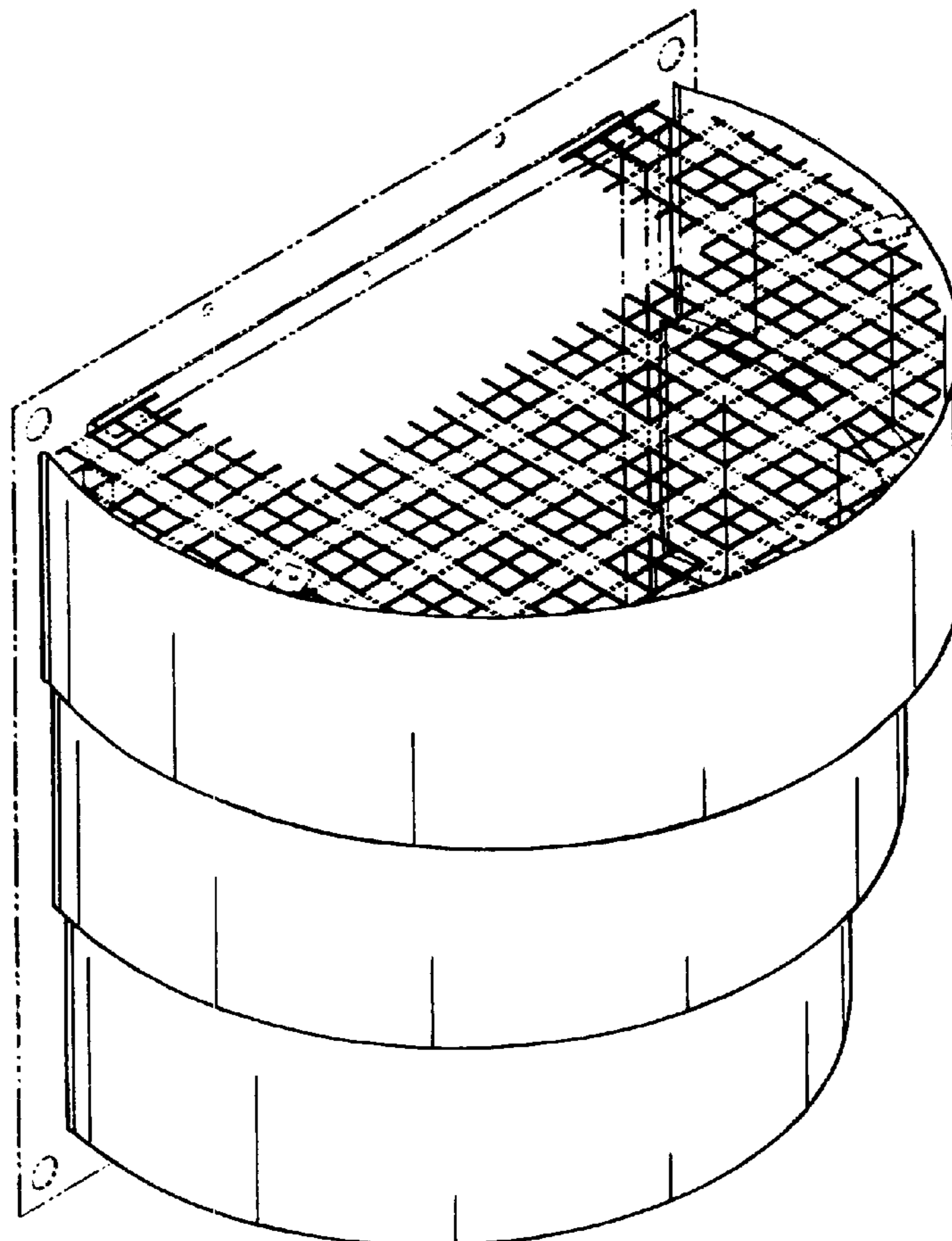


FIG. 1

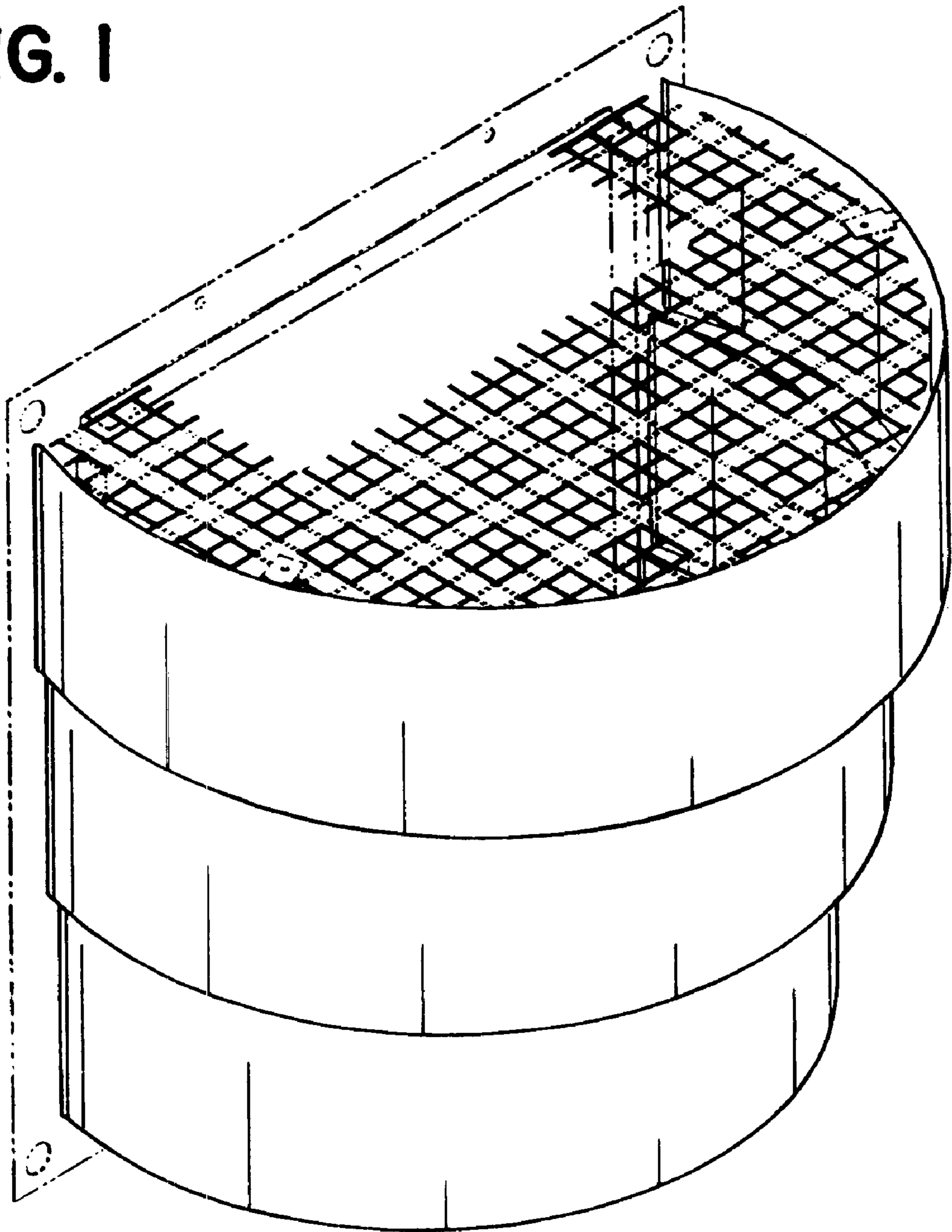


FIG. 4

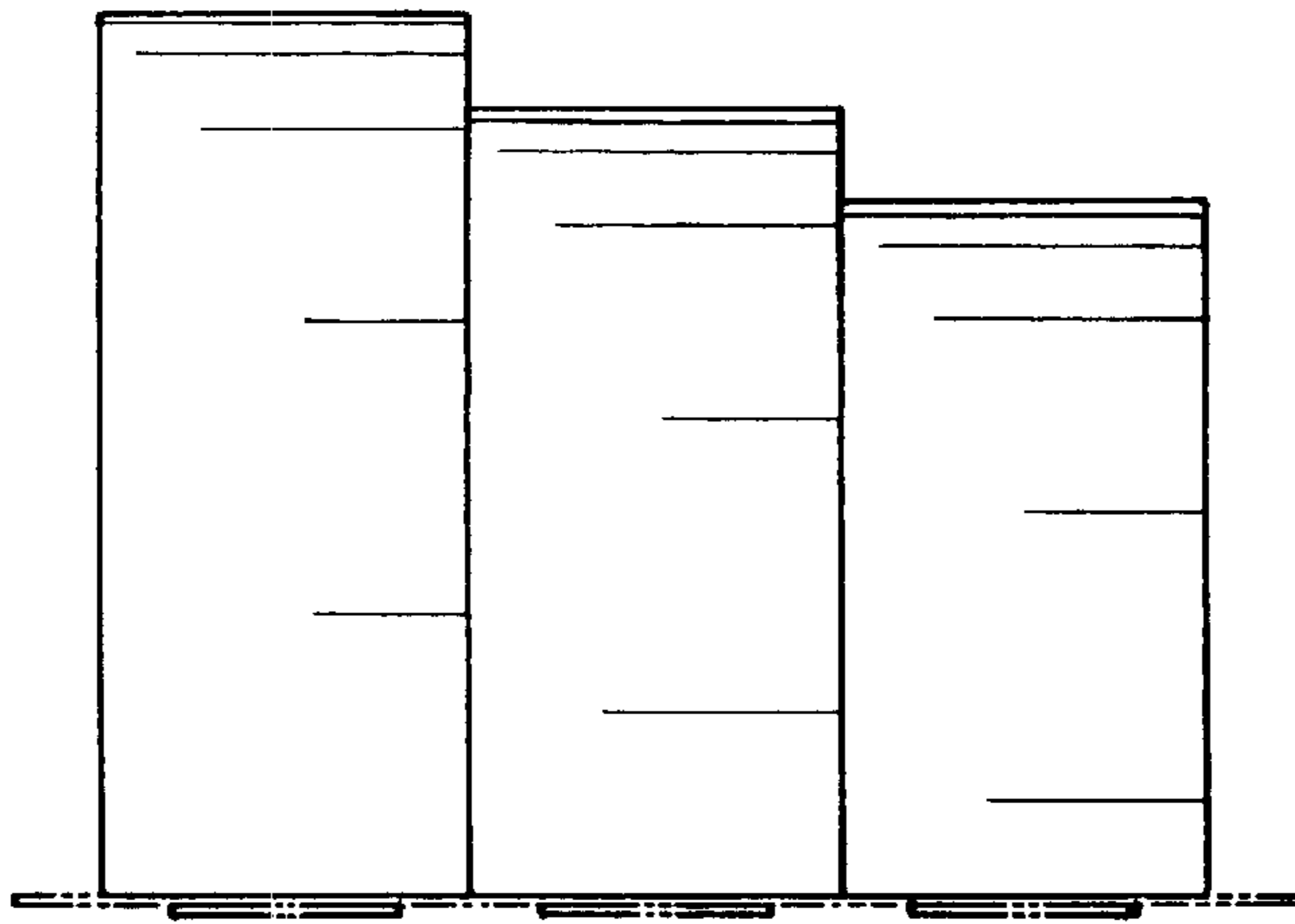


FIG. 3

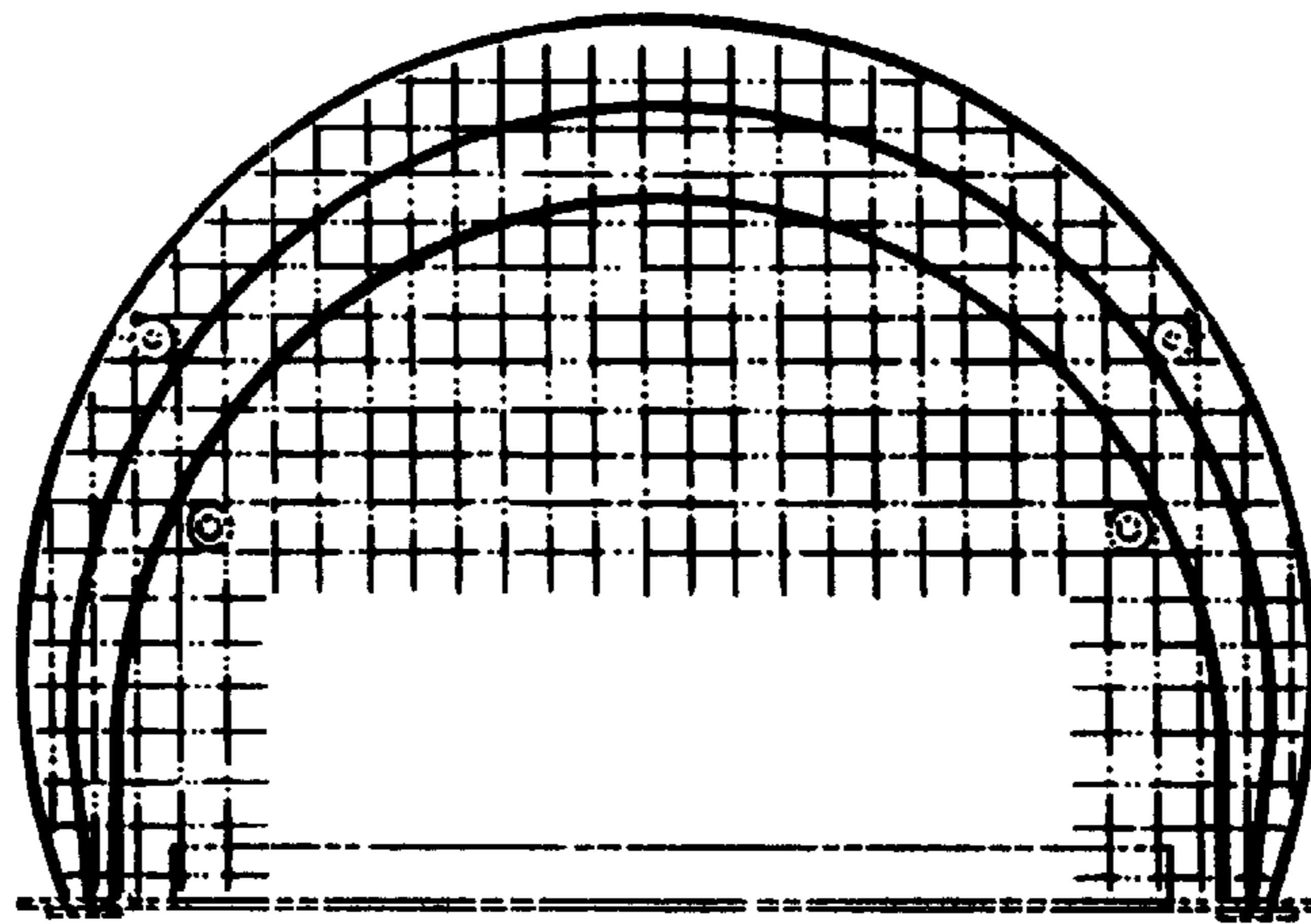


FIG. 2

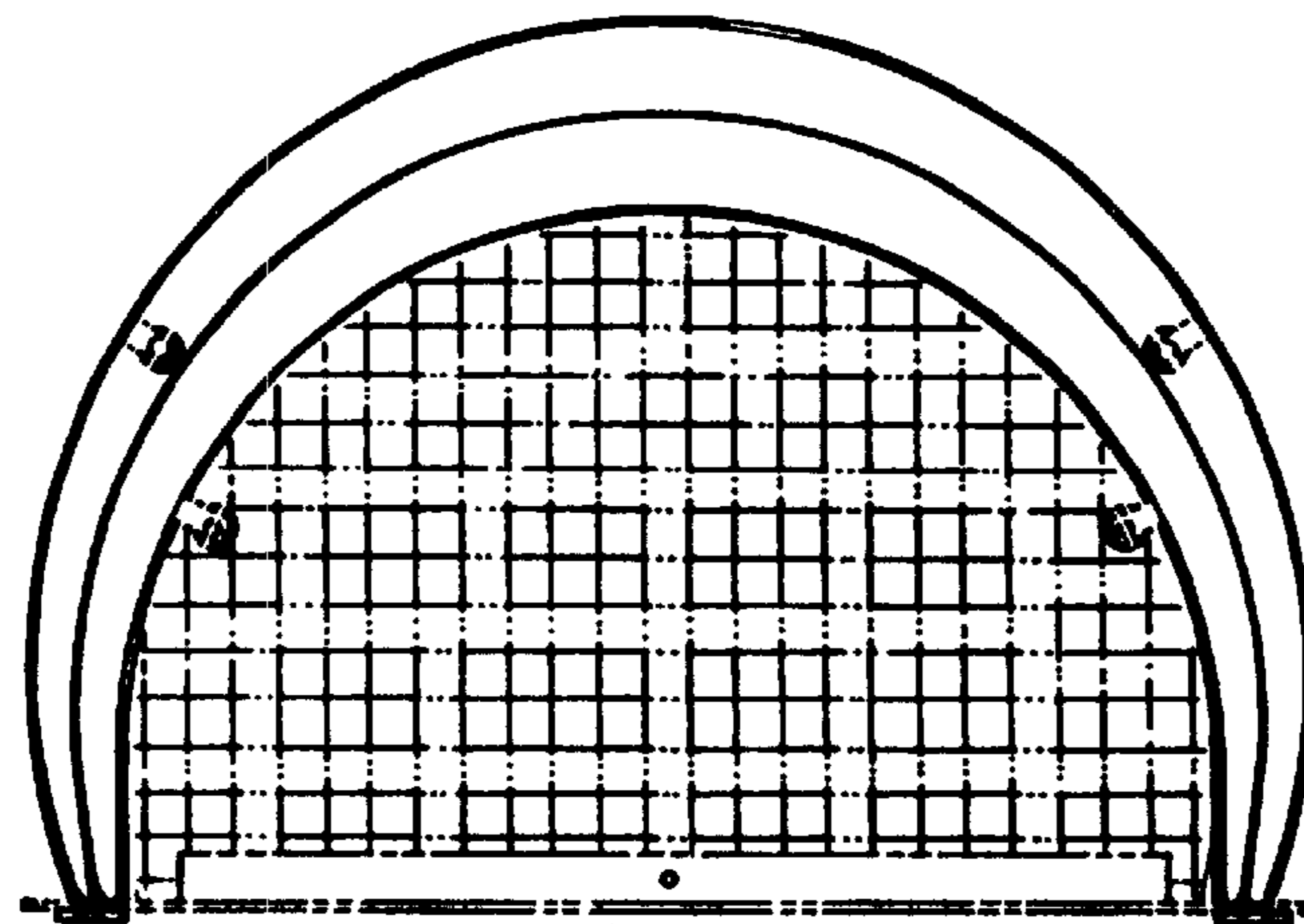


FIG. 6

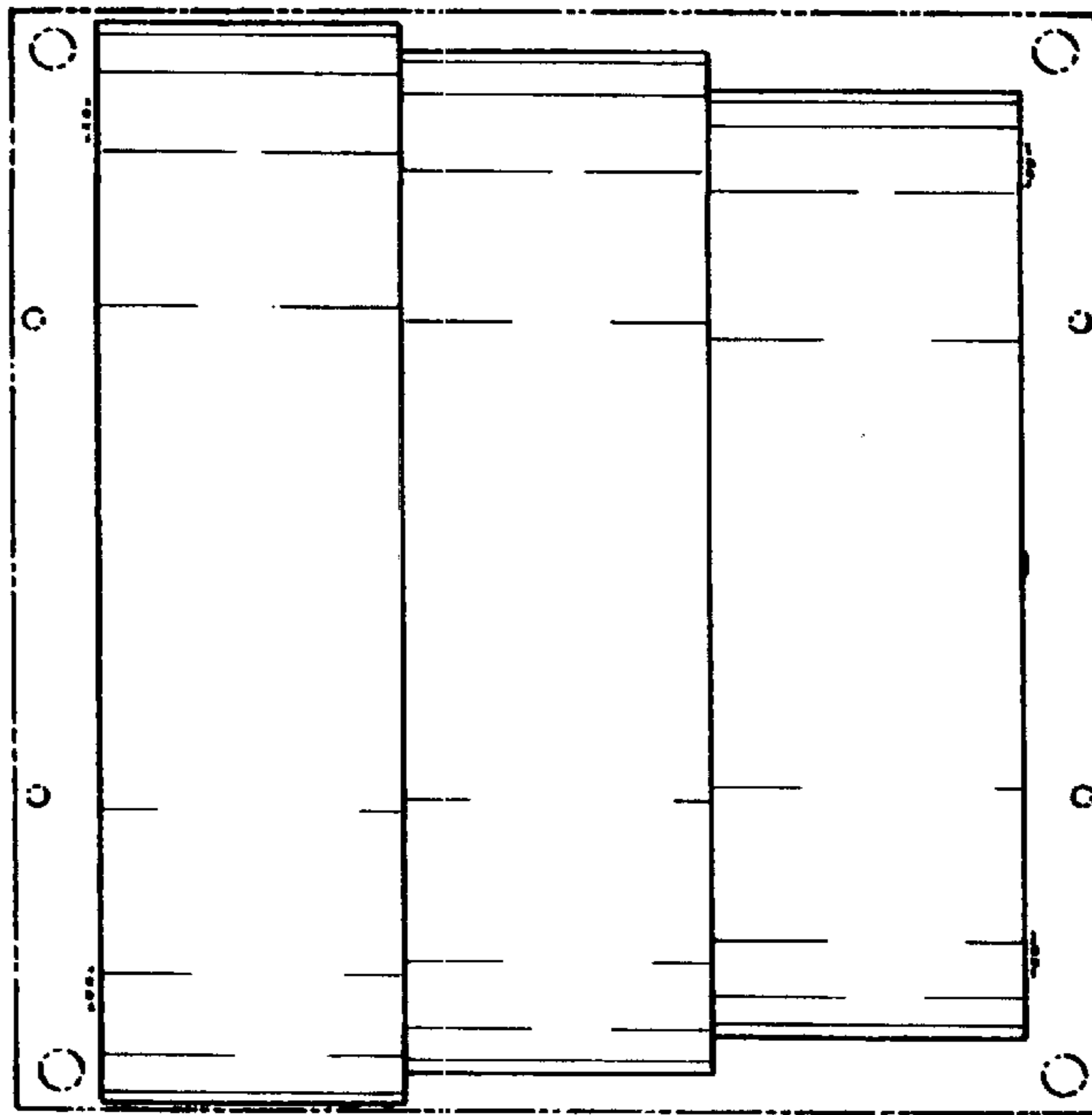


FIG. 5

