



US00D462435S

(12) **United States Design Patent**
Kojima

(10) **Patent No.: US D462,435 S**

(45) **Date of Patent: ** Sep. 3, 2002**

(54) **RANGE HOOD**

D452,907 S * 1/2002 Tamura D23/372

(75) Inventor: **Kenji Kojima**, Osaka (JP)

FOREIGN PATENT DOCUMENTS

(73) Assignees: **Matsushita Electric Industrial Co., Ltd.; Matsushita Seiko Co., Ltd.**, both of Osaka (JP)

JP 1040329 6/1999
JP 1073462 6/2000

(**) Term: **14 Years**

* cited by examiner

Primary Examiner—Lisa Lichtenstein
(74) *Attorney, Agent, or Firm*—Christensen O'Connor Johnson Kindness PLLC

(21) Appl. No.: **29/152,779**

(22) Filed: **Dec. 27, 2001**

(57) **CLAIM**

(30) **Foreign Application Priority Data**

The ornamental design for a range hood, as shown and described.

Jun. 27, 2001 (JP) 2001-018695

DESCRIPTION

(51) **LOC (7) Cl.** **23-04**

(52) **U.S. Cl.** **D23/372**

(58) **Field of Search** D13/372, 371;
D7/407; 126/299 R, 299 D

FIG. 1 is a perspective view of the bottom, front and right side of a range hood showing my new design;
FIG. 2 is a top plan view thereof;
FIG. 3 is a bottom view thereof;
FIG. 4 is a front view thereof;
FIG. 5 is a right side view thereof;
FIG. 6 is a rear view thereof; and,
FIG. 7 is a left side view thereof.

(56) **References Cited**

U.S. PATENT DOCUMENTS

6,135,367 A * 10/2000 Hsu 126/299 D
D450,379 S * 11/2001 Strand et al. 126/299 D

1 Claim, 2 Drawing Sheets

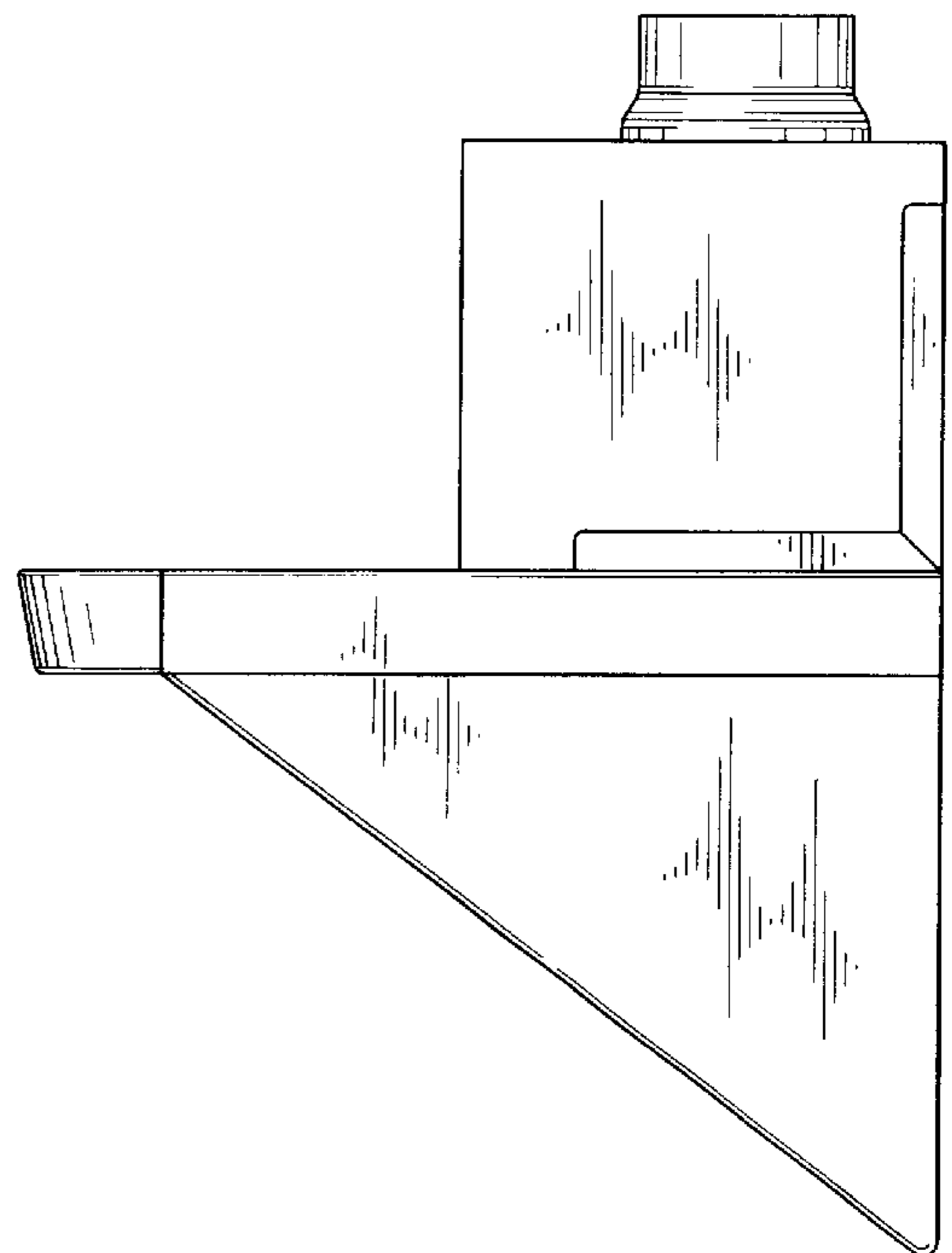
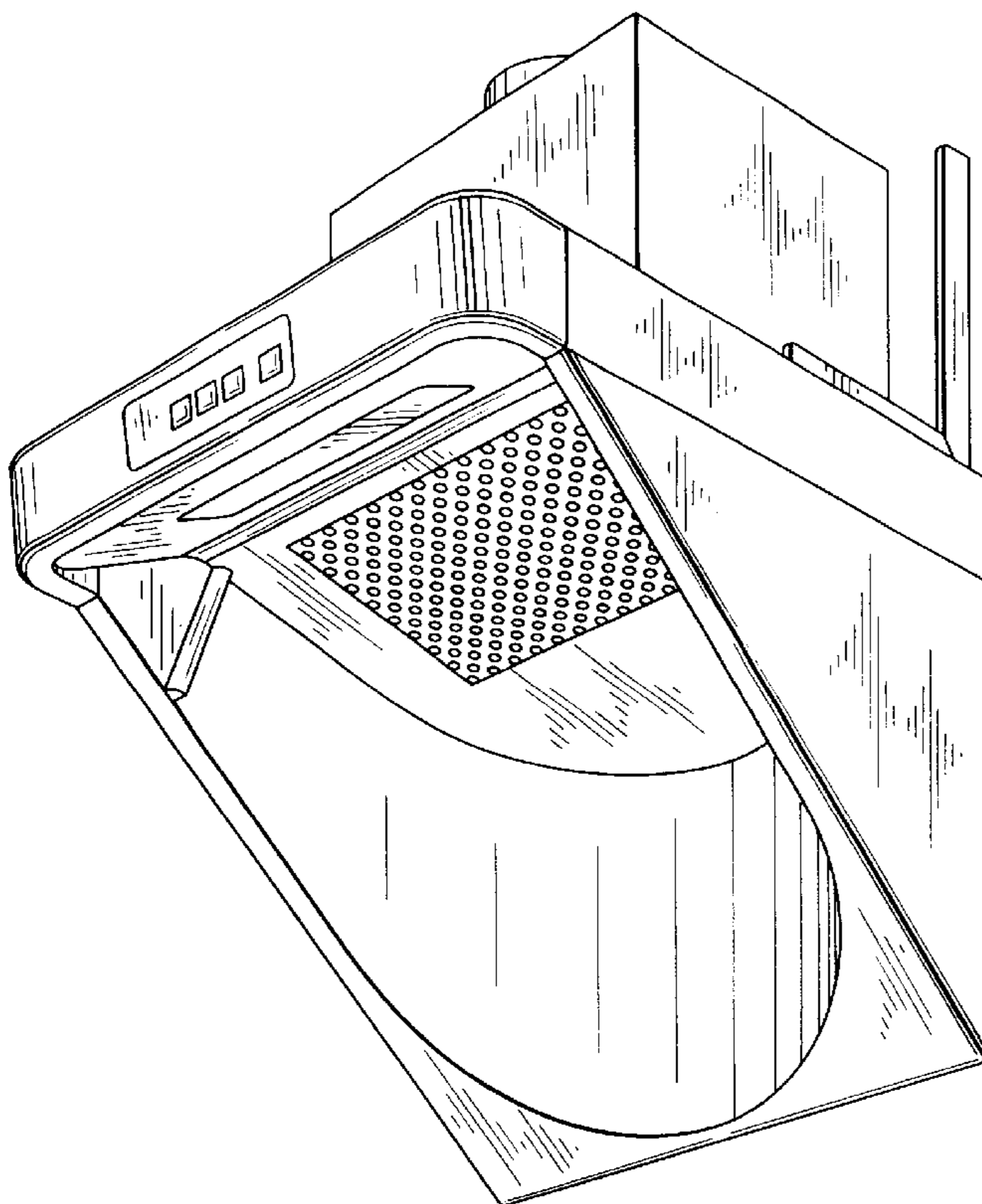


FIG. 1

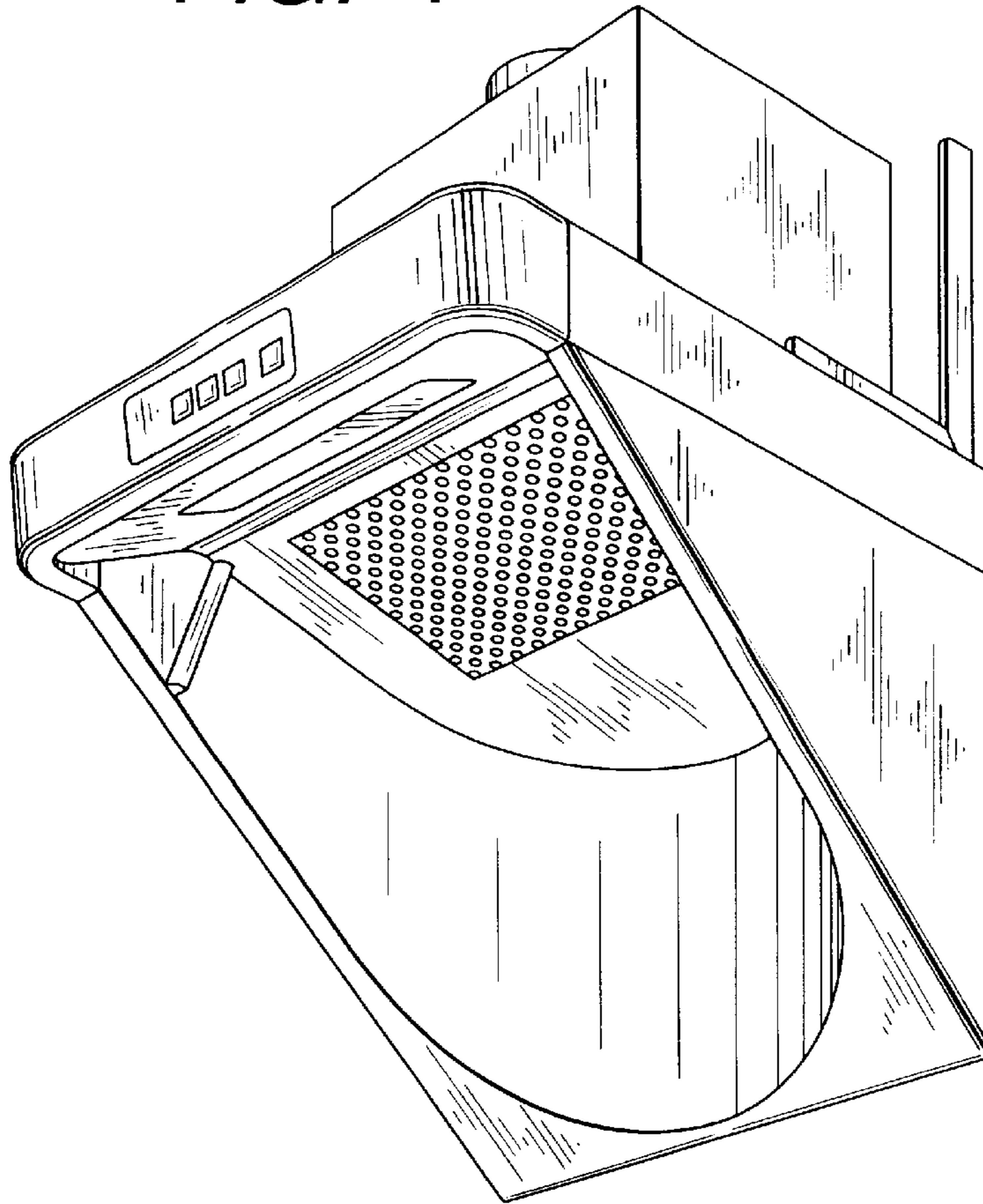


FIG. 2

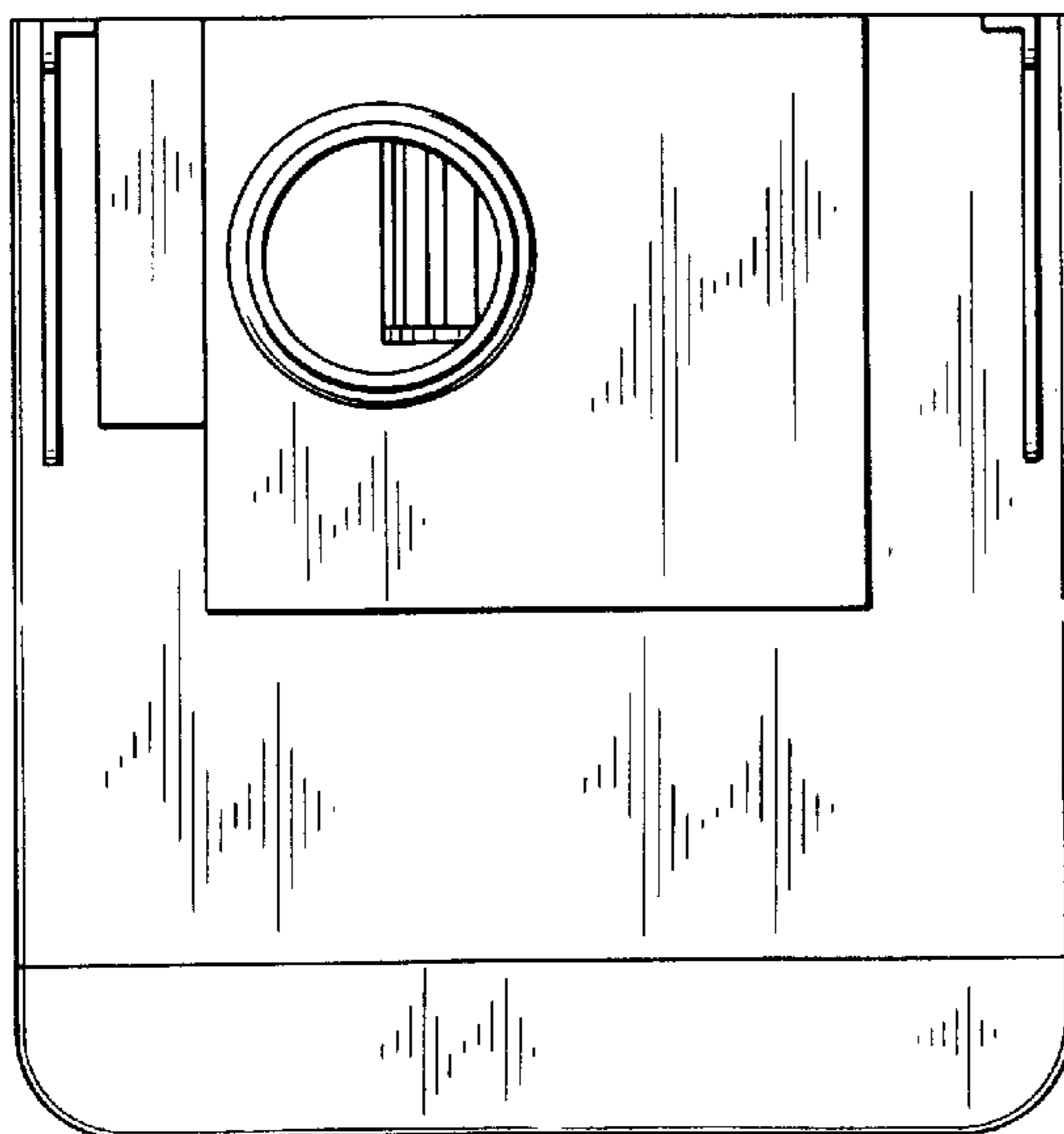


FIG. 3

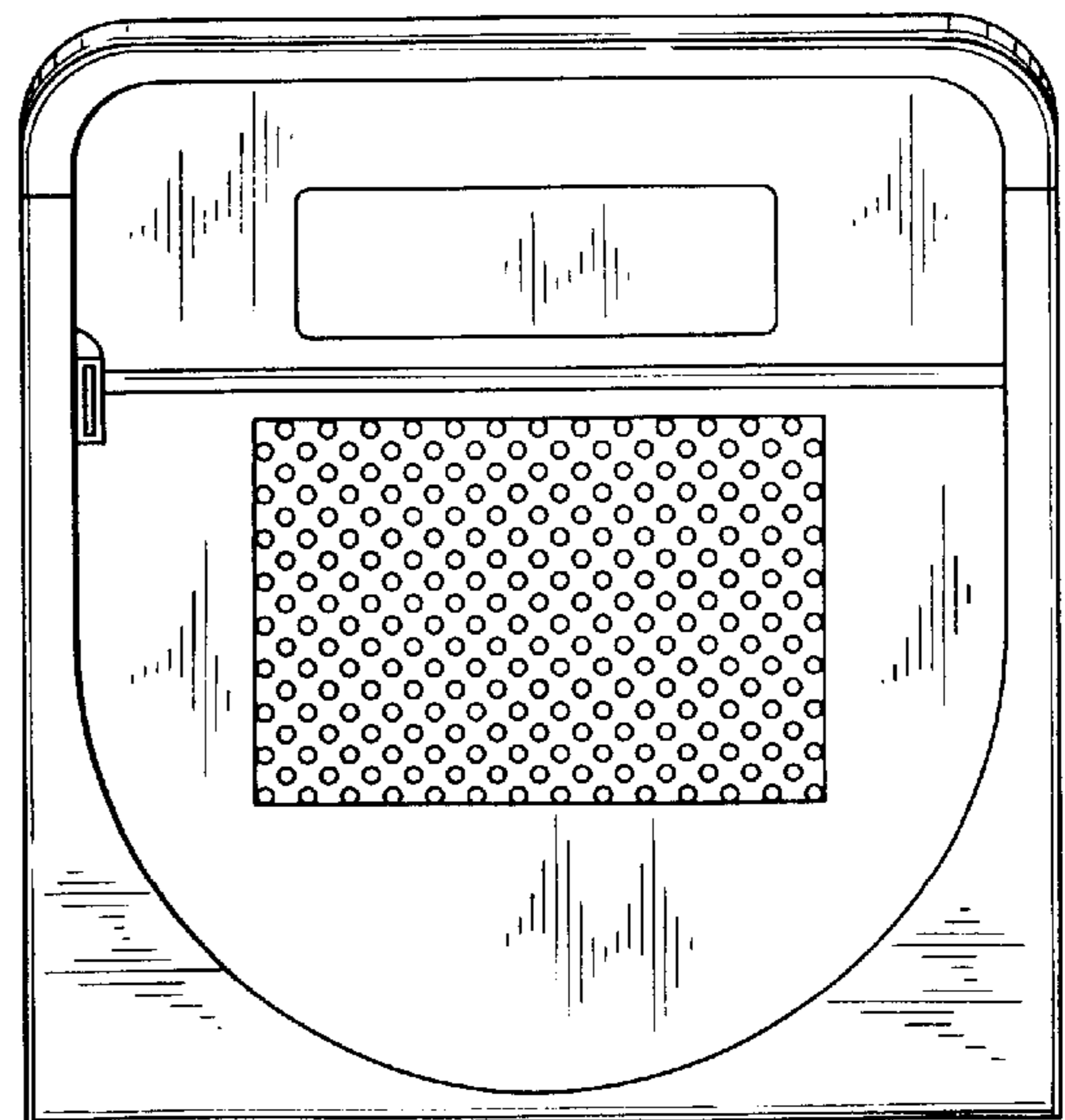


FIG. 4

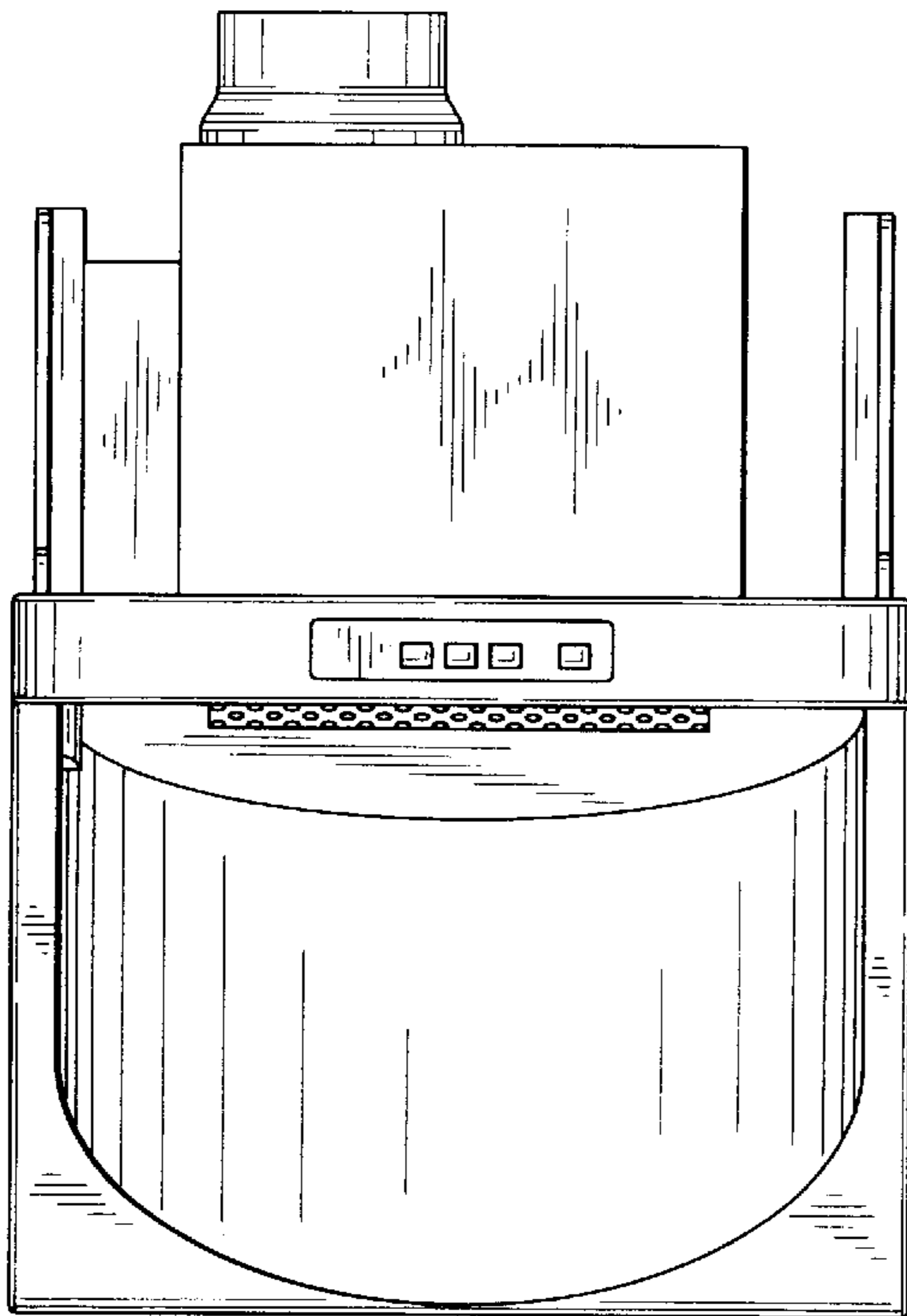


FIG. 5

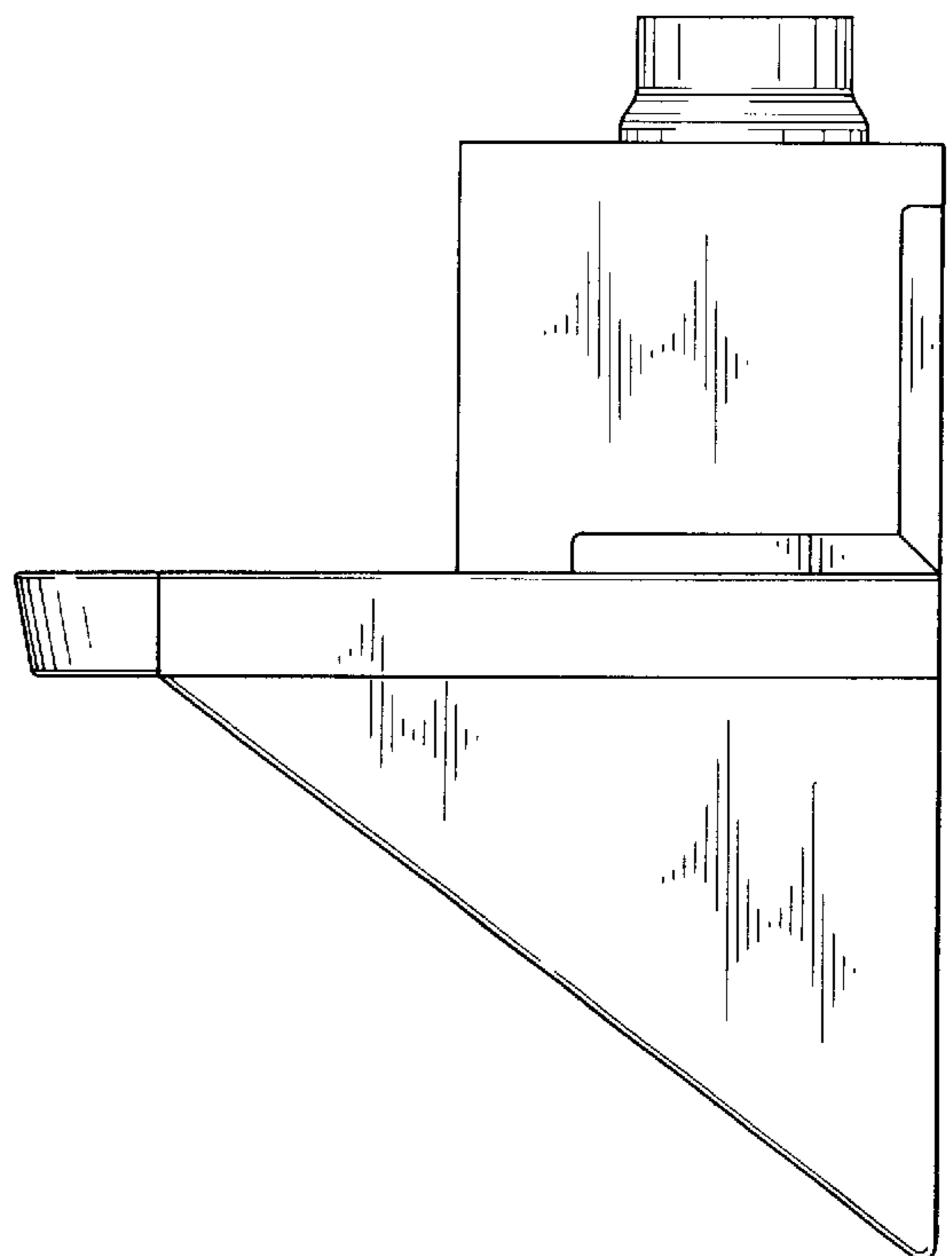


FIG. 6

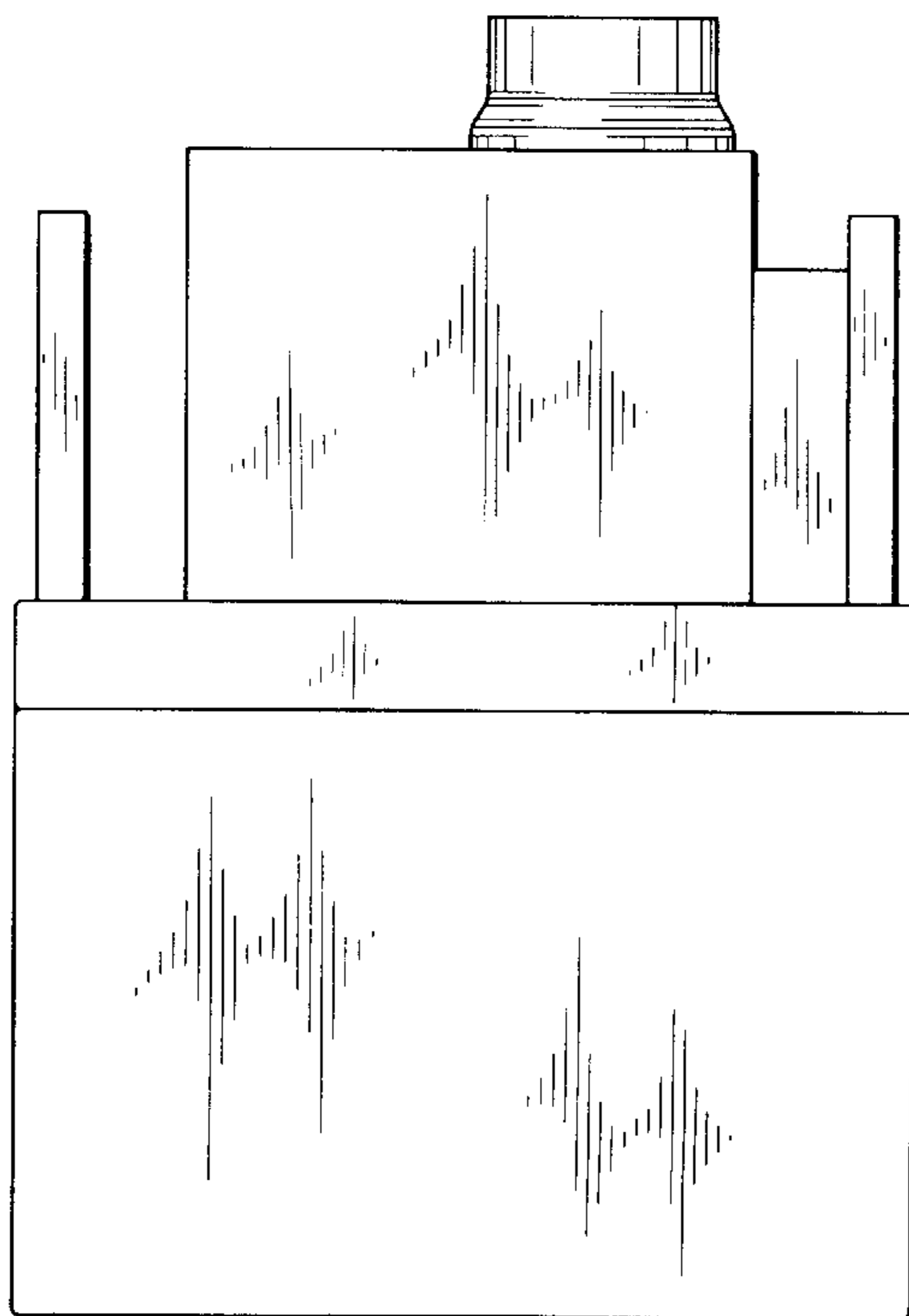


FIG. 7

