



US00D462428S

(12) **United States Design Patent**
Chura et al.

(10) **Patent No.:** **US D462,428 S**

(45) **Date of Patent:** **** Sep. 3, 2002**

(54) **HEATER HOUSING**

(75) Inventors: **William D. Chura**, Medford; **Jonathan R. Rossman**, Chelmsford, both of MA (US)

(73) Assignee: **The Holmes Group, Inc.**, Milford, MA (US)

(**) Term: **14 Years**

(21) Appl. No.: **29/145,892**

(22) Filed: **Jul. 31, 2001**

(51) **LOC (7) Cl.** **23-03**

(52) **U.S. Cl.** **D23/335**

(58) **Field of Search** D23/314, 328, D23/332, 335-41; 126/90 A, 92 A, 92 B; 312/236; 392/365-9, 373-6; 219/520

(56) **References Cited**

U.S. PATENT DOCUMENTS

D326,318 S	*	5/1992	Coup et al.	D23/335
D384,734 S	*	10/1997	Ellwood	D23/337
D418,591 S	*	1/2000	Birdsell et al.	D23/335
D420,112 S	*	2/2000	Hotaling et al.	D23/335
D420,437 S	*	2/2000	Rossman et al.	D23/335
D441,065 S	*	4/2001	Ediger et al.	D23/335

OTHER PUBLICATIONS

Brochure entitled: Holmes Heaters 1999.

* cited by examiner

Primary Examiner—B. J. Bullock

(74) *Attorney, Agent, or Firm*—Hoffmann & Baron, LLP; Francis E. Marino

(57) **CLAIM**

The ornamental design for a heater housing, as shown and described.

DESCRIPTION

FIG. 1 is a top perspective view of a heater housing showing our new design;

FIG. 2 is a front elevation view thereof;

FIG. 3 is a top plan view thereof;

FIG. 4 is a side elevation view thereof, the opposite side being a mirror image thereof; and,

FIG. 5 is a rear elevation view thereof.

The bottom (not shown) forms no part of the claimed design.

The subject matter shown in broken lines is for environmental purposes only, and forms no part of the claimed design.

1 Claim, 5 Drawing Sheets

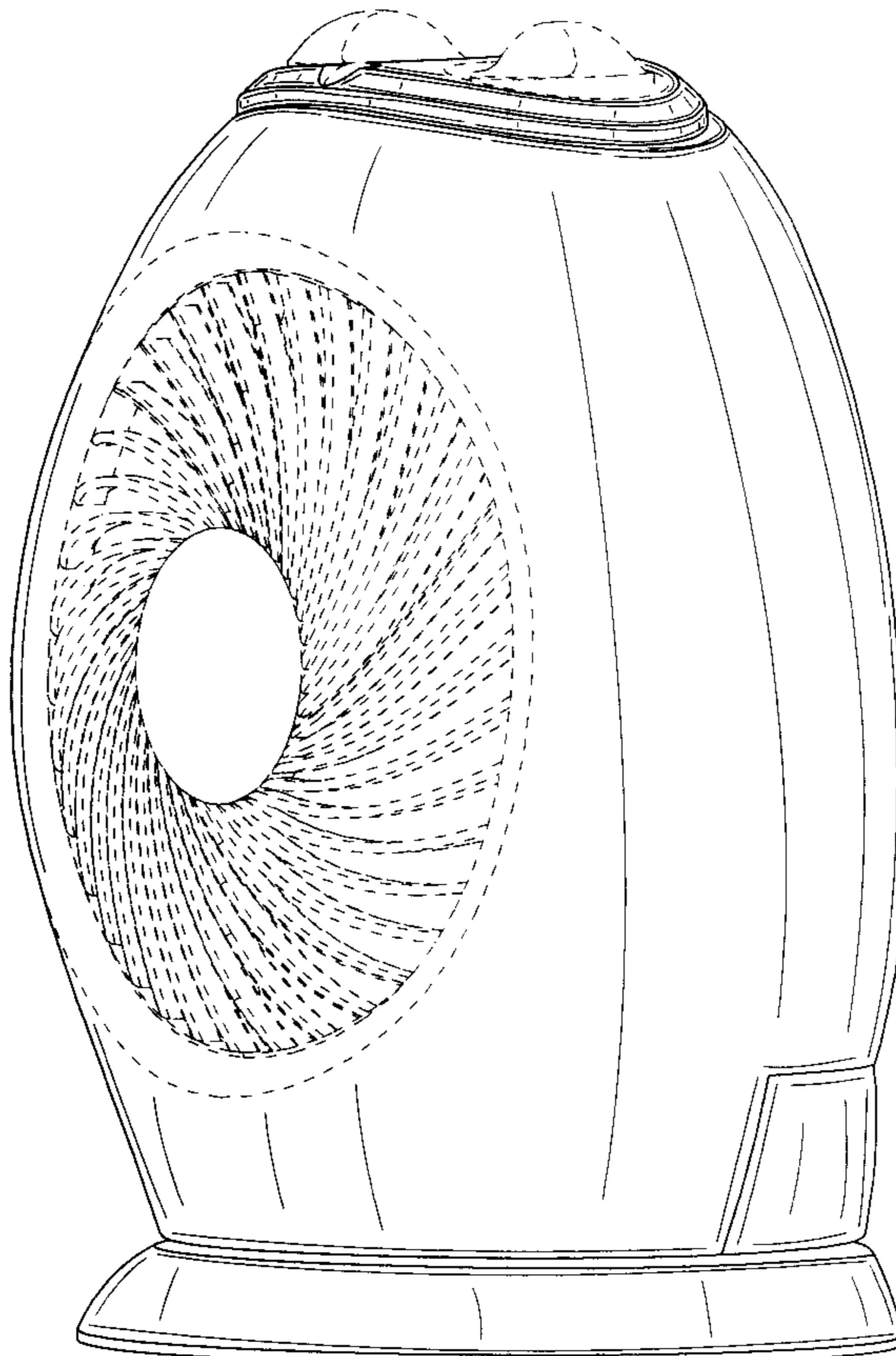


FIG. 1

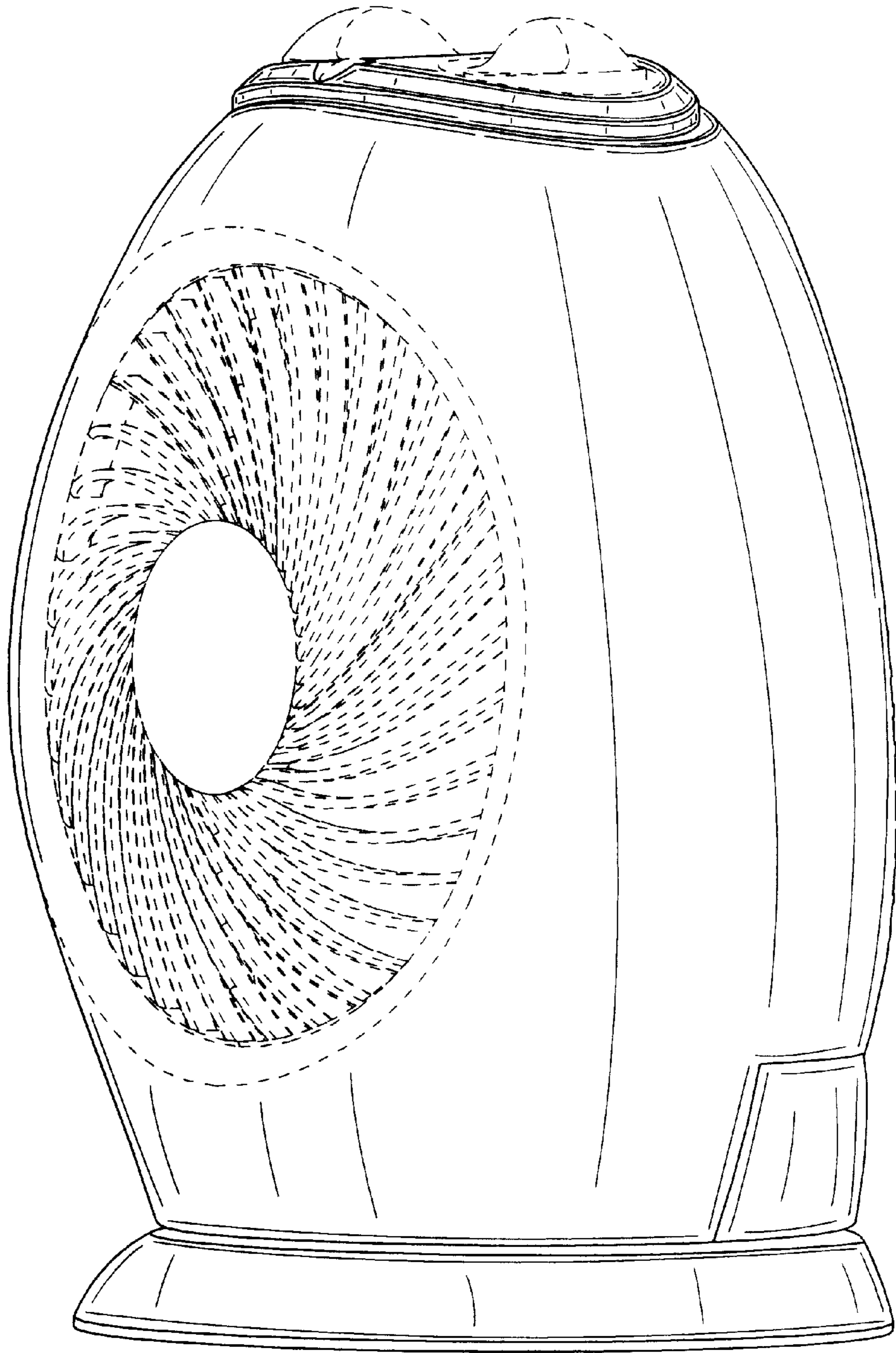


FIG. 2

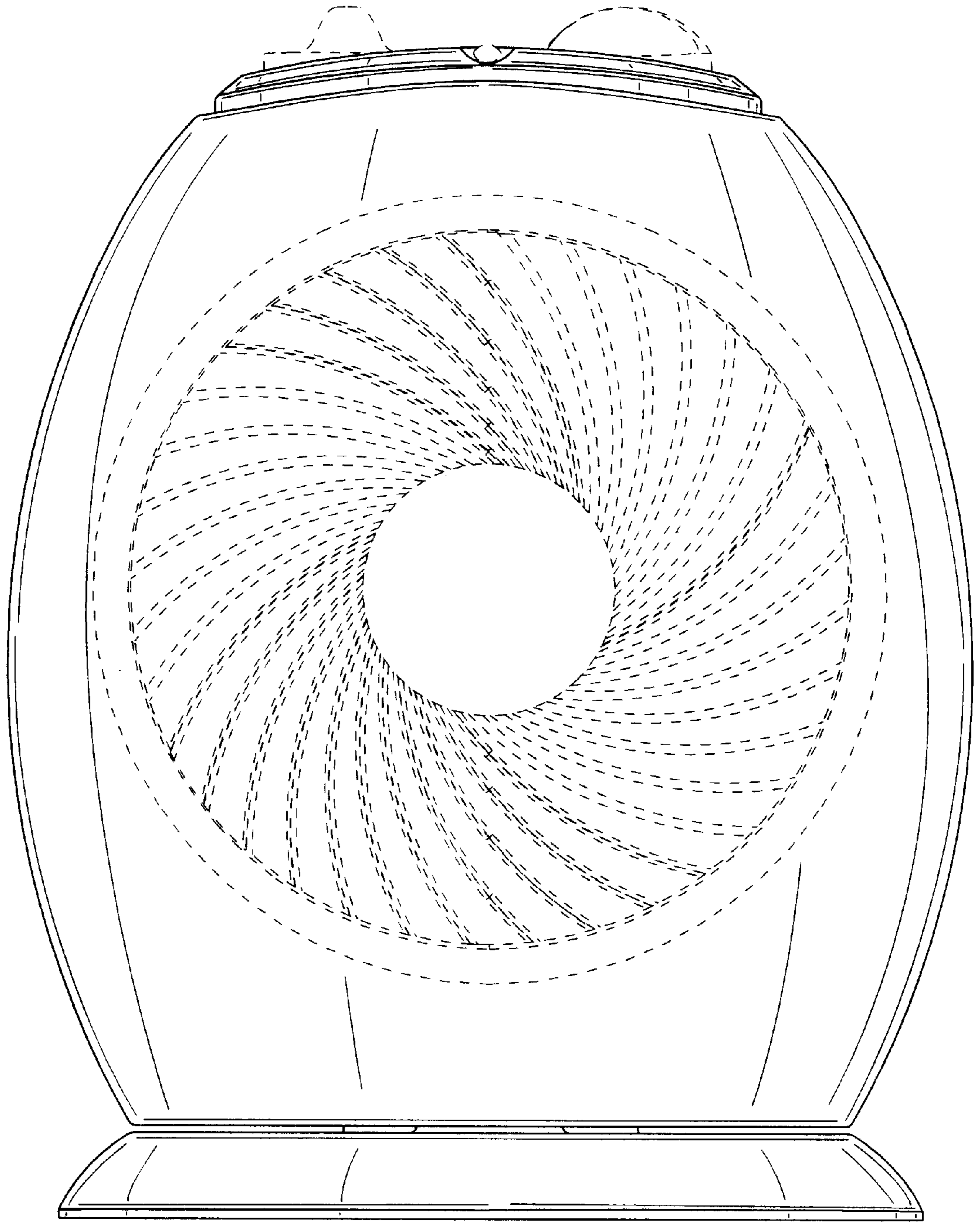


FIG. 3

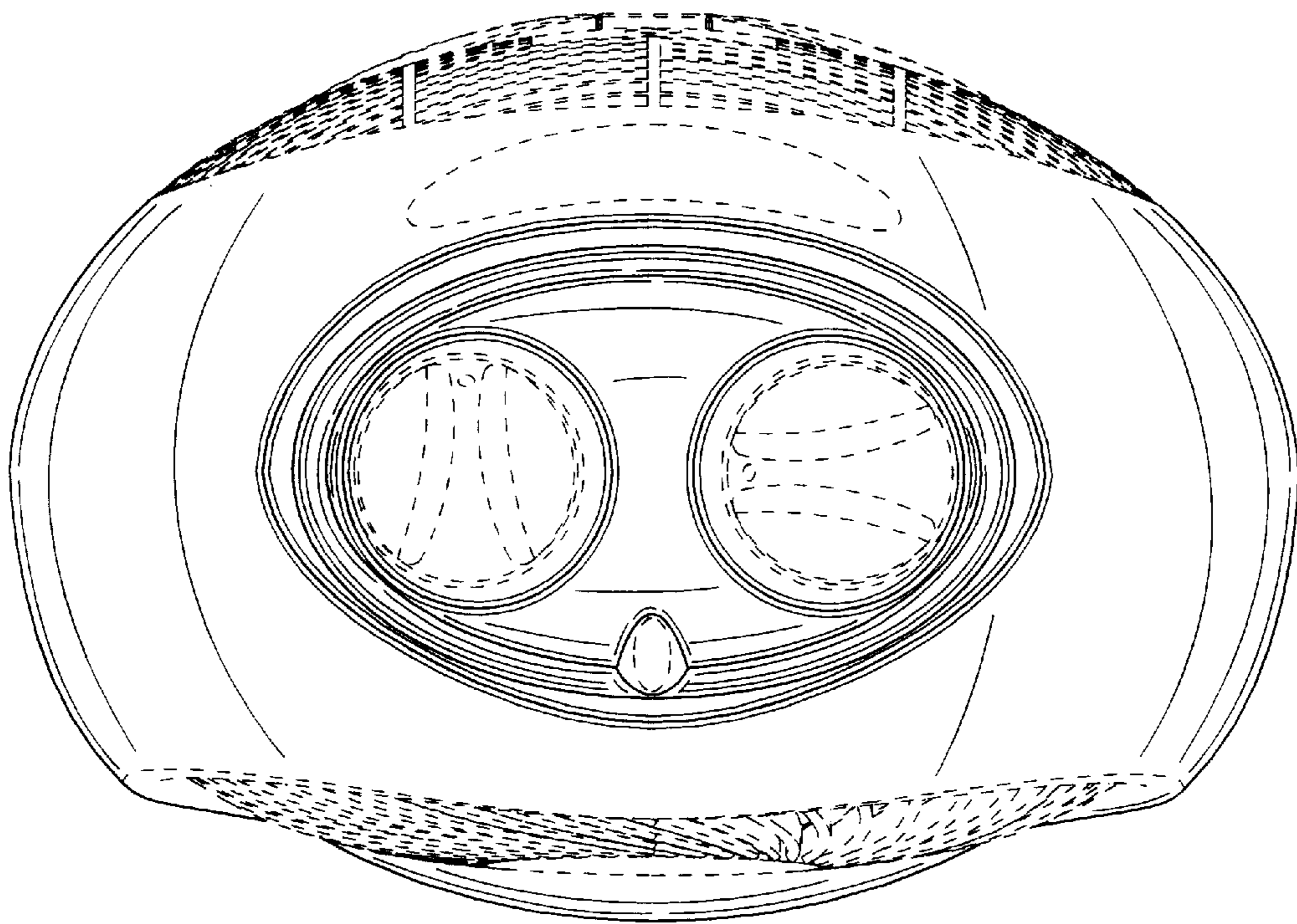


FIG. 4

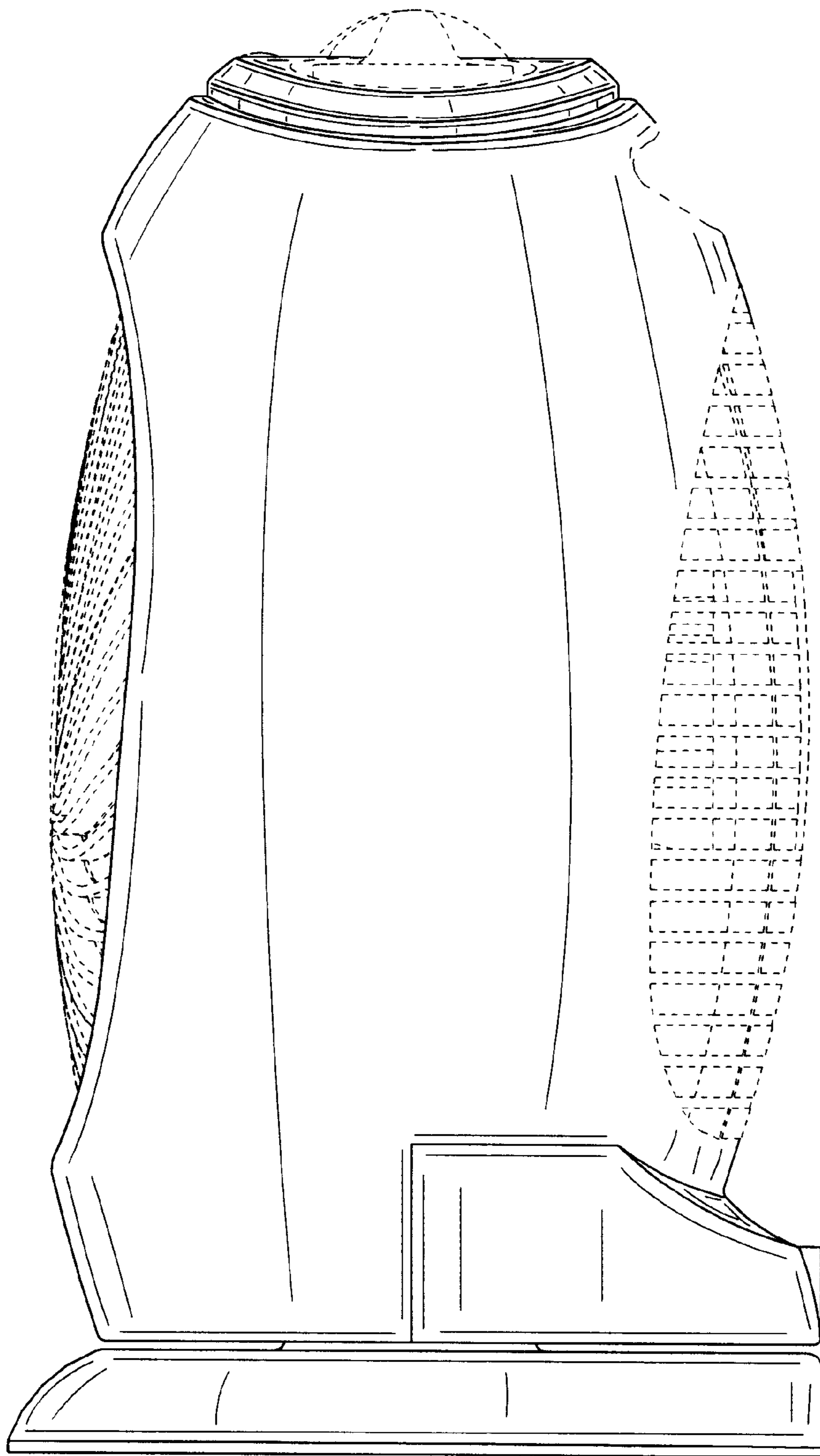


FIG. 5

