



US00D462421S

(12) **United States Design Patent**
Hundley

(10) **Patent No.:** **US D462,421 S**

(45) **Date of Patent:** **** Sep. 3, 2002**

(54) **HANDLE**

(75) Inventor: **Jill E. Hundley**, Sheboygan, WI (US)

(73) Assignee: **Kohler Co.**, Kohler, WI (US)

(**) Term: **14 Years**

(21) Appl. No.: **29/144,694**

(22) Filed: **Jul. 9, 2001**

(51) **LOC (7) Cl.** **23-01**

(52) **U.S. Cl.** **D23/252; D23/254**

(58) **Field of Search** **D23/238-257;**
D8/300-312, DIG. 3; 4/675-678; 16/110 R-125;
137/801

(56) **References Cited**

U.S. PATENT DOCUMENTS

D258,982 S	*	4/1981	Saporito et al.	D23/242
D299,854 S	*	2/1989	Paul	D23/252
D300,942 S	*	5/1989	Paul	D23/242
D316,747 S	*	5/1991	Fleischamm	D23/252

* cited by examiner

Primary Examiner—Louis S. Zarfes

Assistant Examiner—Gregory Andoll

(74) *Attorney, Agent, or Firm*—Quarles & Brady LLP

(57) **CLAIM**

The ornamental design for a handle, as shown and described.

DESCRIPTION

In a preferred embodiment, the nature of this product is as a plumbing handle and escutcheon which is primarily useful for controlling a rotatable valve stem.

FIG. 1 is a top, right, front perspective view of a handle embodying my new design;

FIG. 2 is a front elevational view thereof, the rear elevational view being a mirror image of the front elevational view shown;

FIG. 3 is a top plan view thereof;

FIG. 4 is a right side elevational view thereof;

FIG. 5 is a left side elevational view thereof;

FIG. 6 is a bottom plan view thereof;

FIG. 7 is a top, right, front perspective view of a second embodiment;

FIG. 8 is a front elevational view thereof, the rear elevational view being a mirror image of the front elevational view shown;

FIG. 9 is a top plan view thereof;

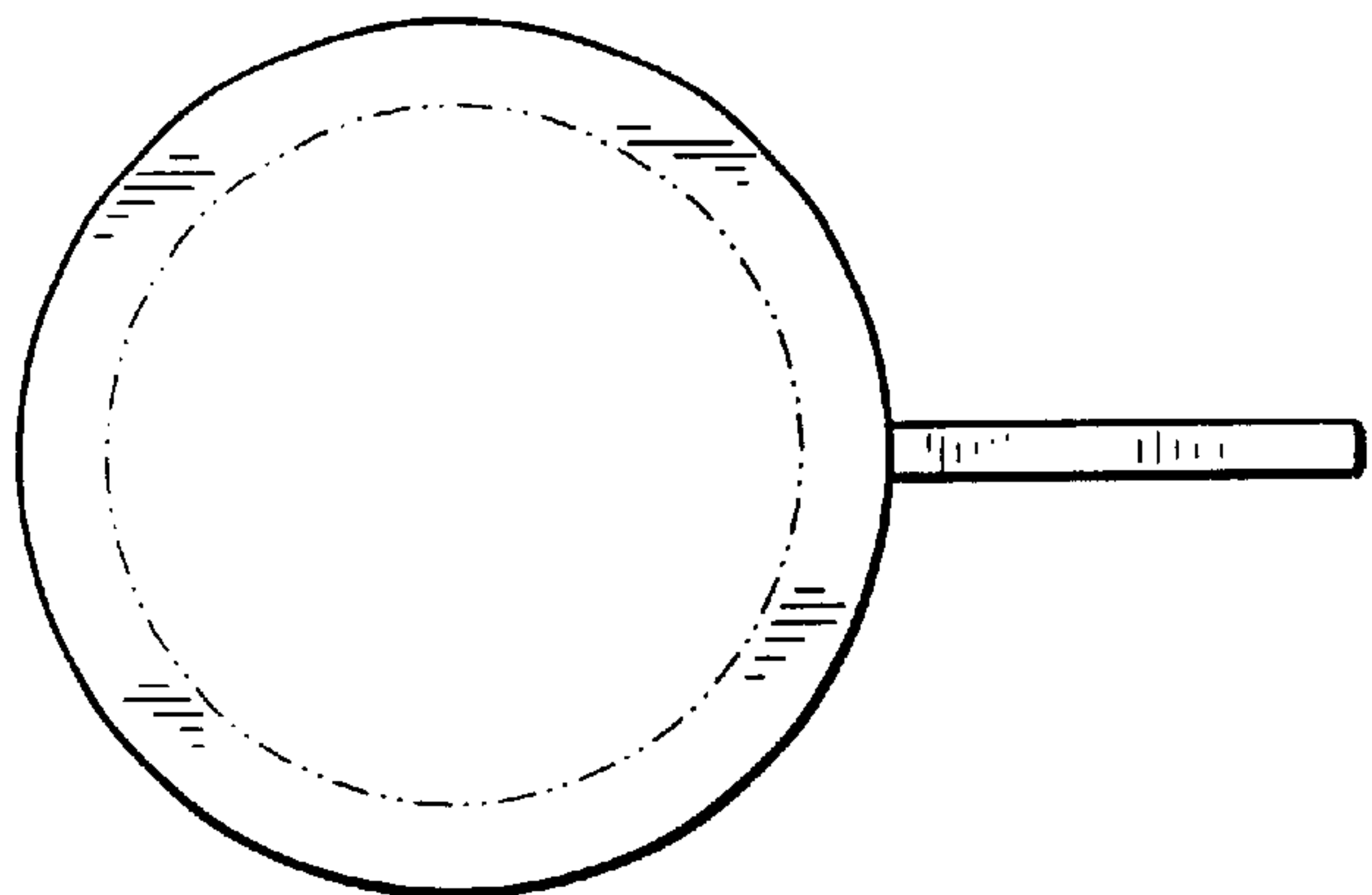
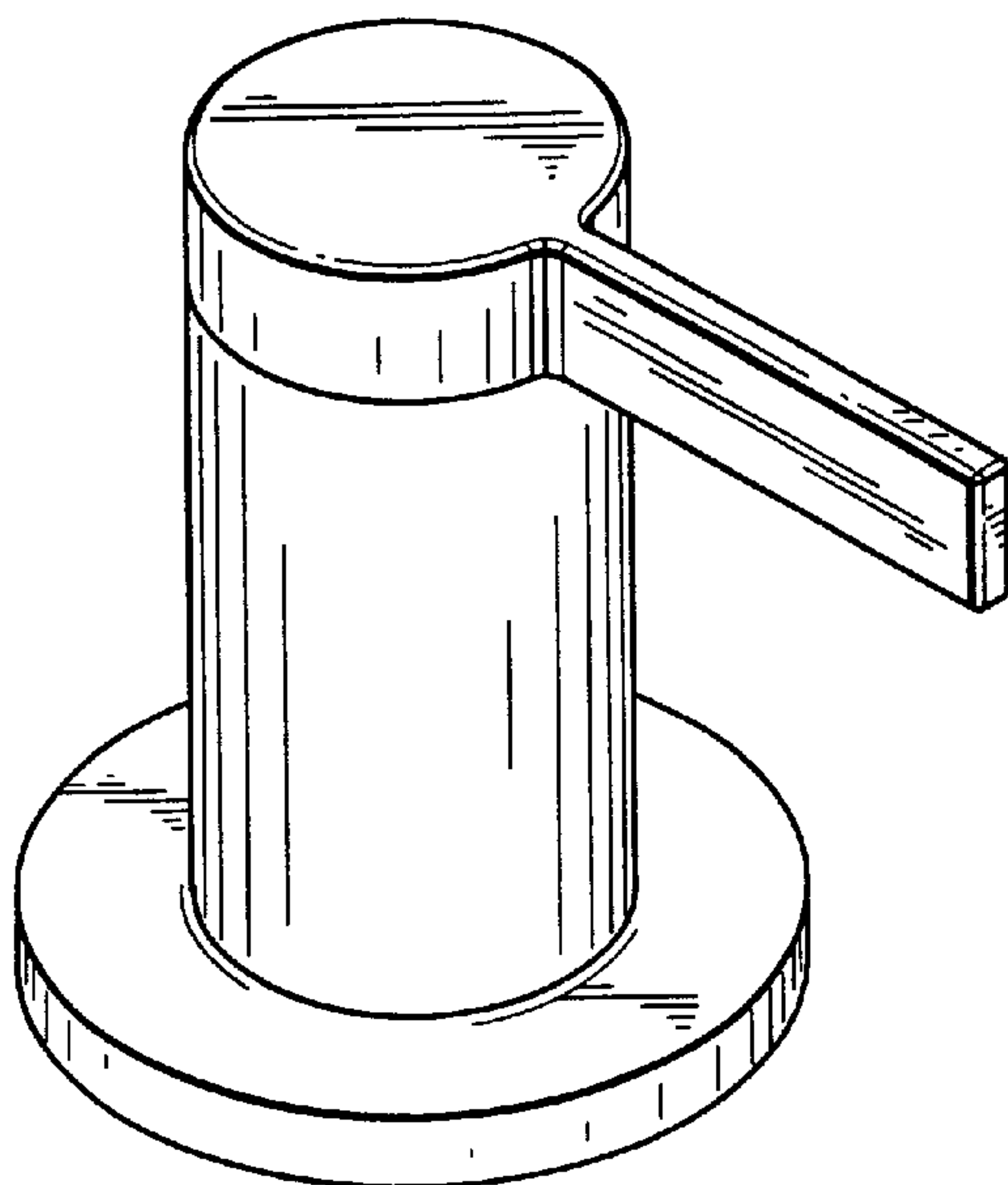
FIG. 10 is a right side elevational view thereof;

FIG. 11 is a left side elevational view thereof; and,

FIG. 12 is a bottom plan view thereof.

The broken line representation of mounting structure in FIGS. 6 and 12 is for the purpose of illustration only, and forms no part of the claimed design.

1 Claim, 4 Drawing Sheets



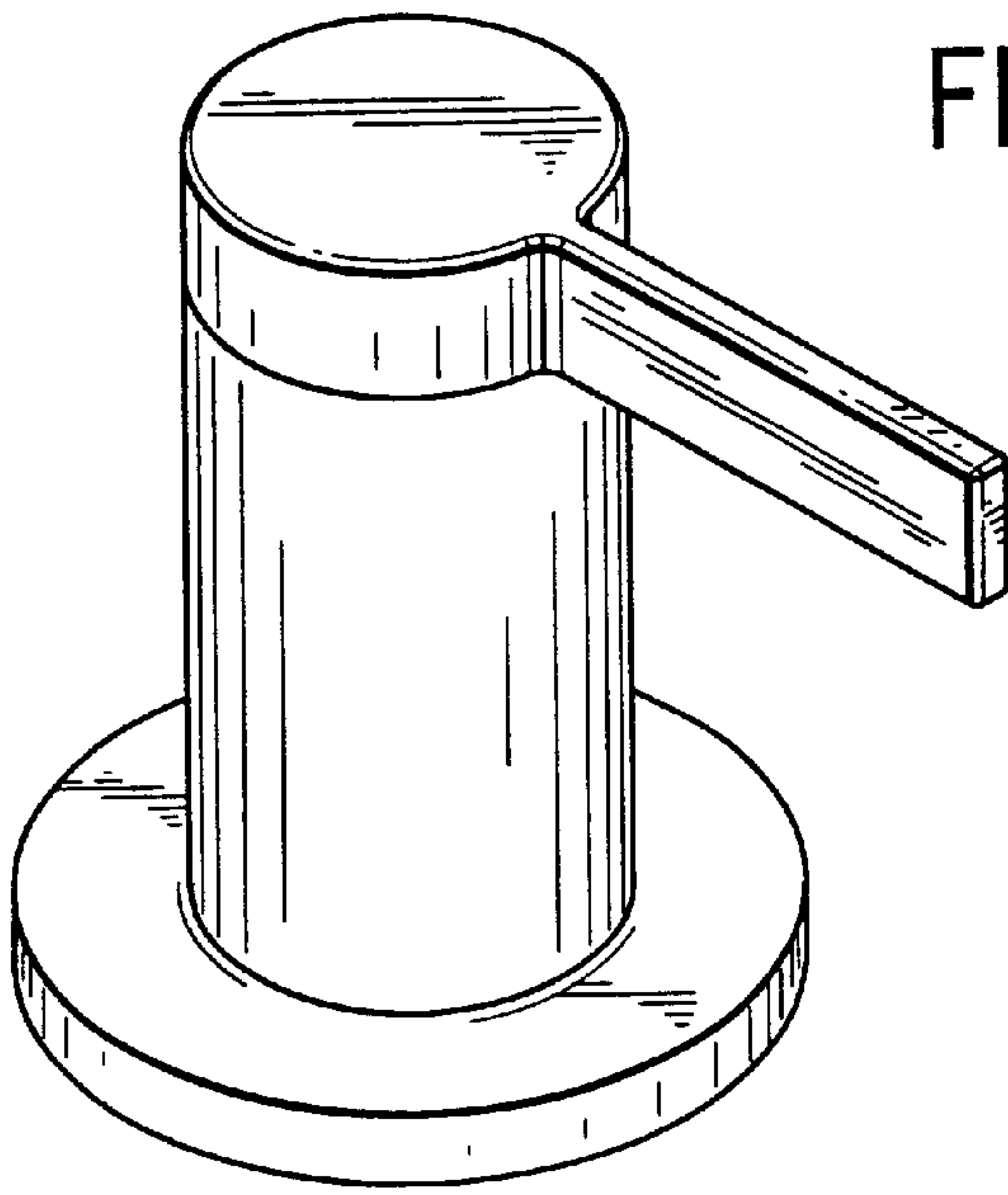


FIG. 1

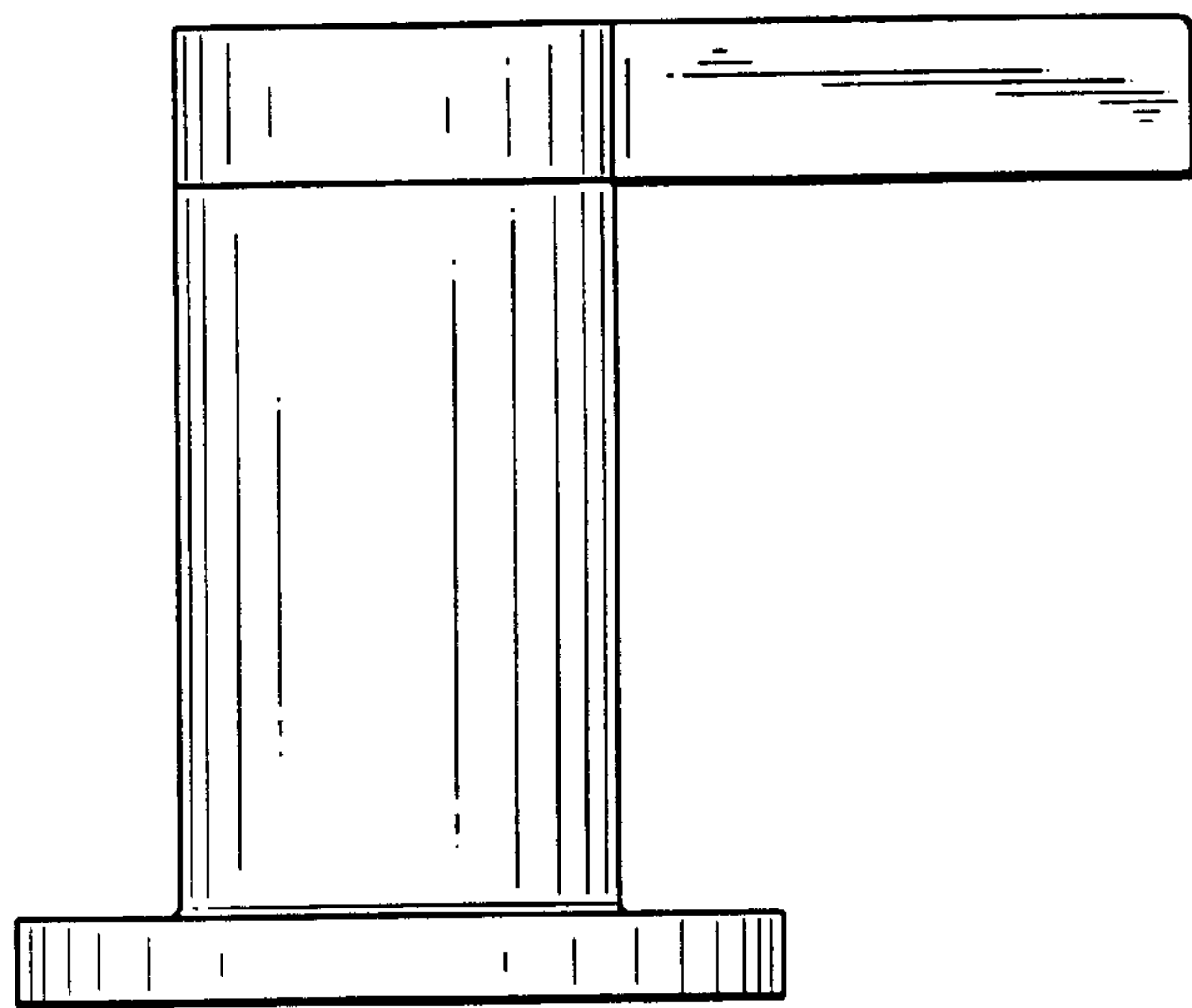


FIG. 2

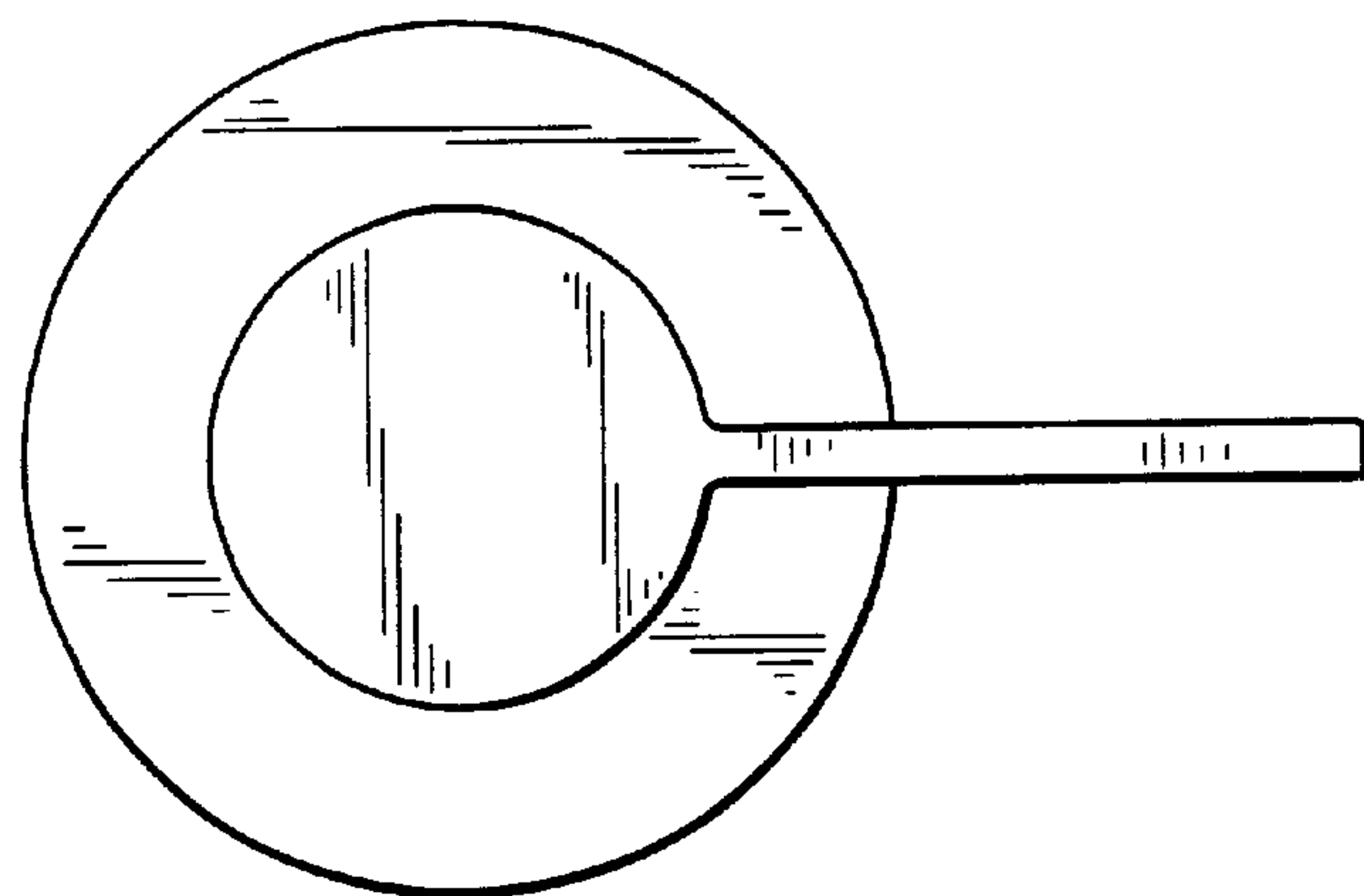


FIG. 3

FIG. 4

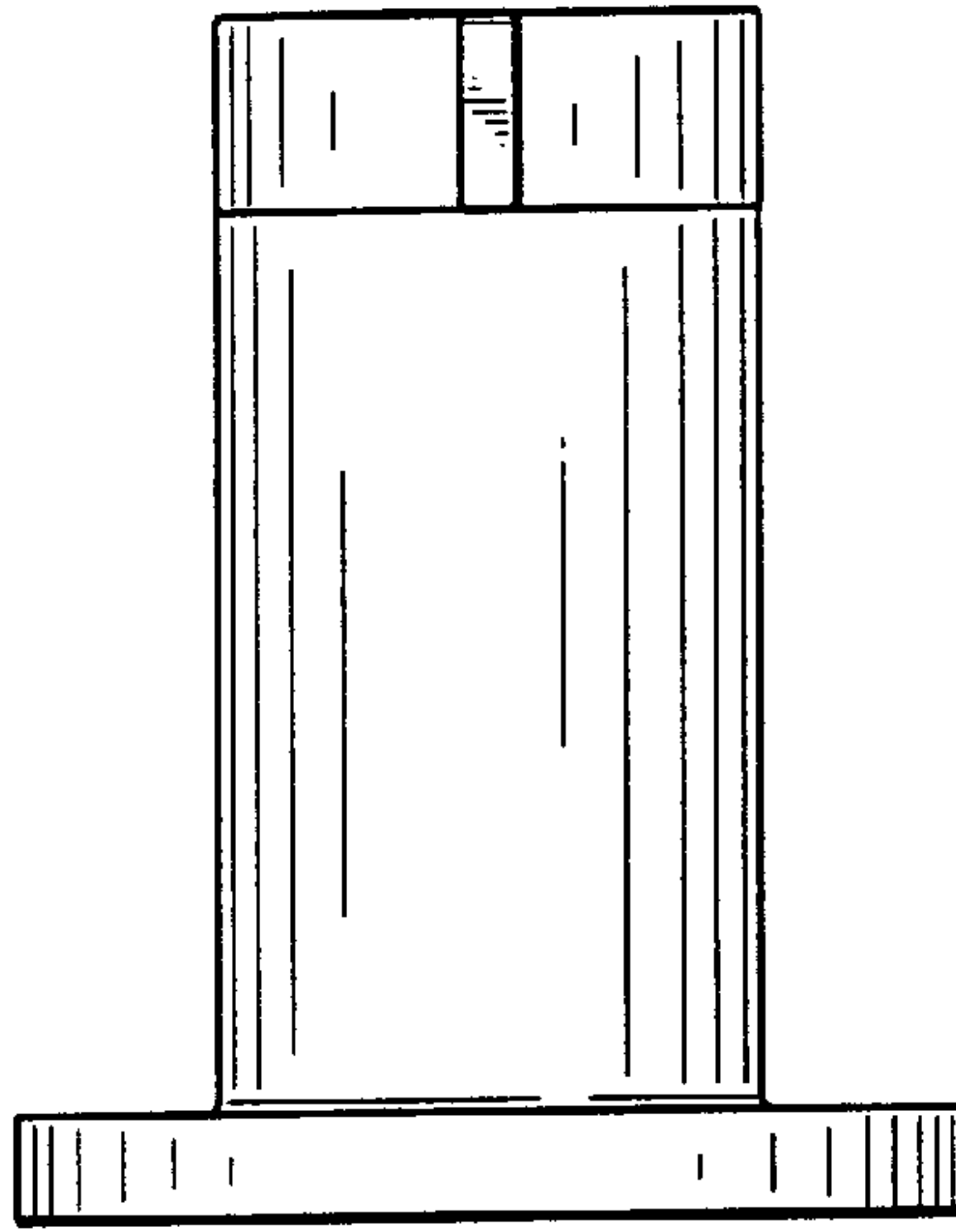


FIG. 5

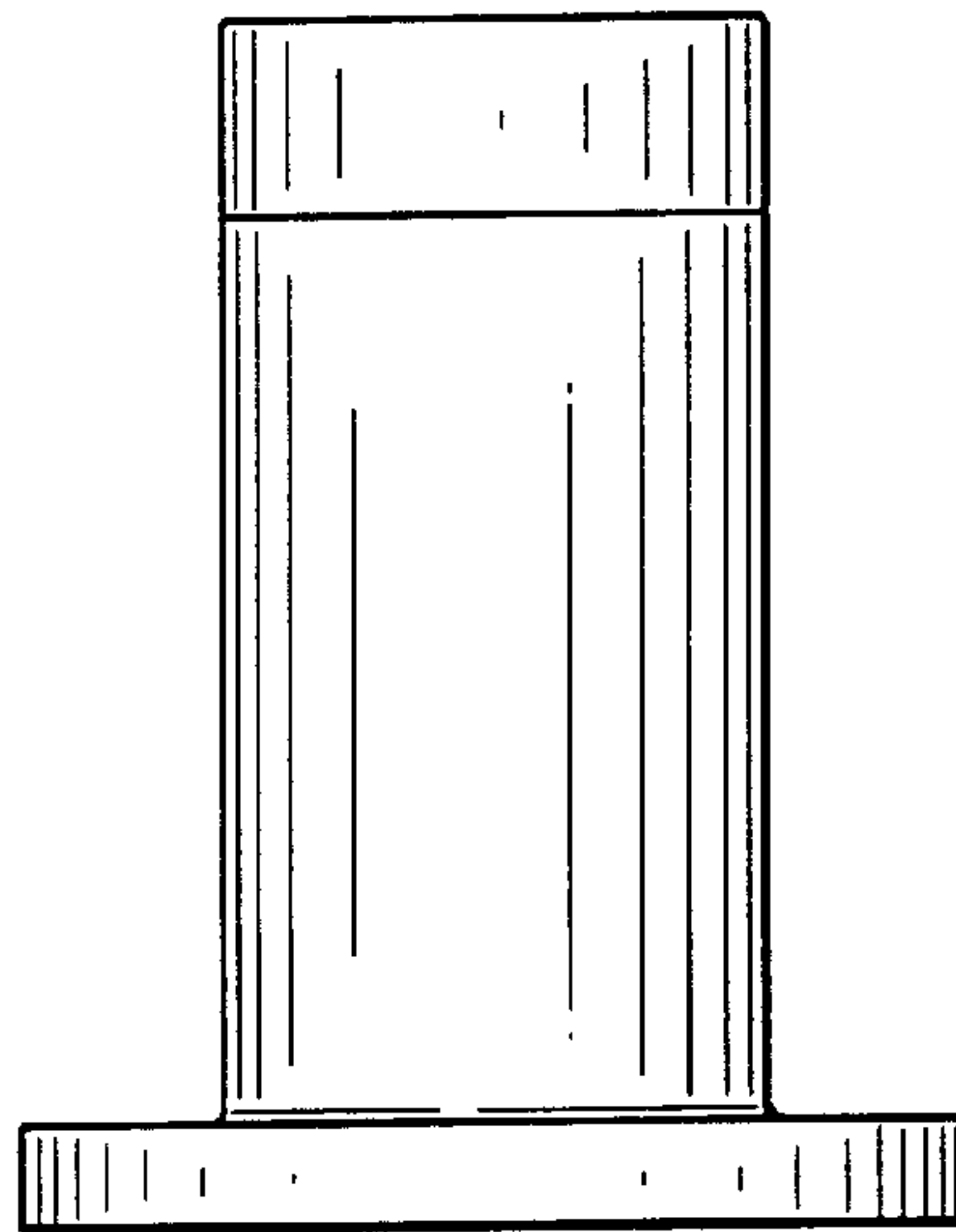
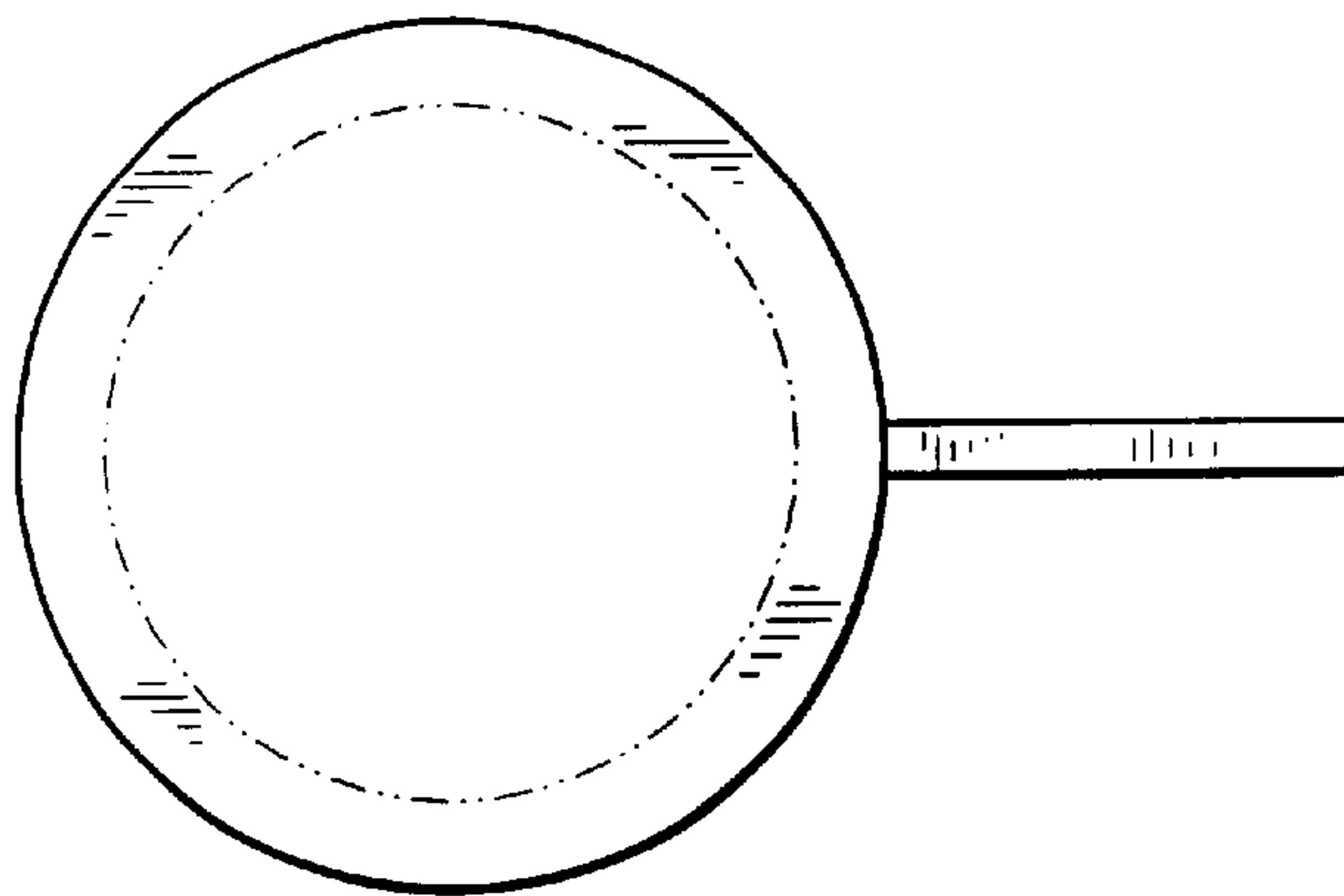


FIG. 6



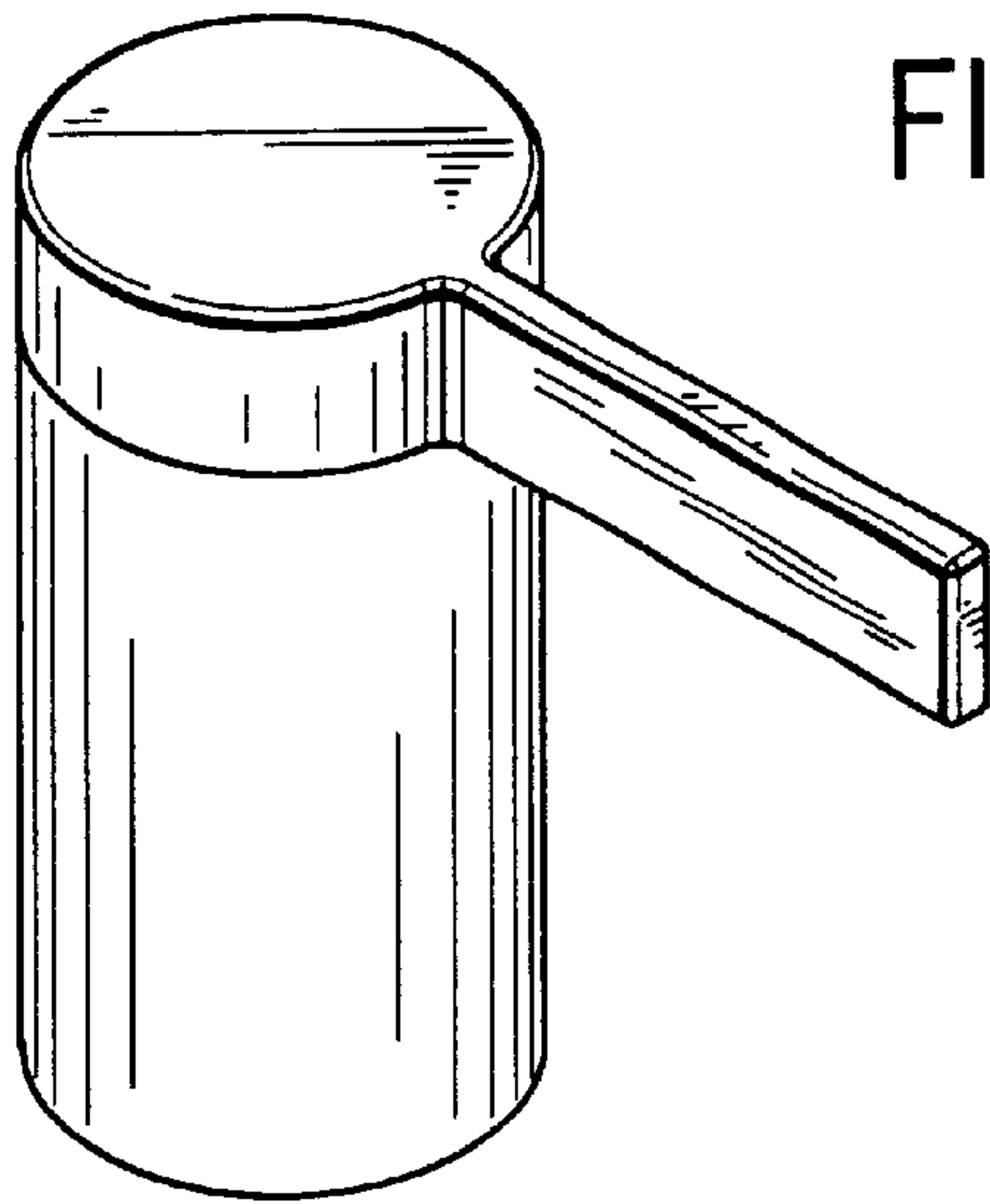


FIG. 7

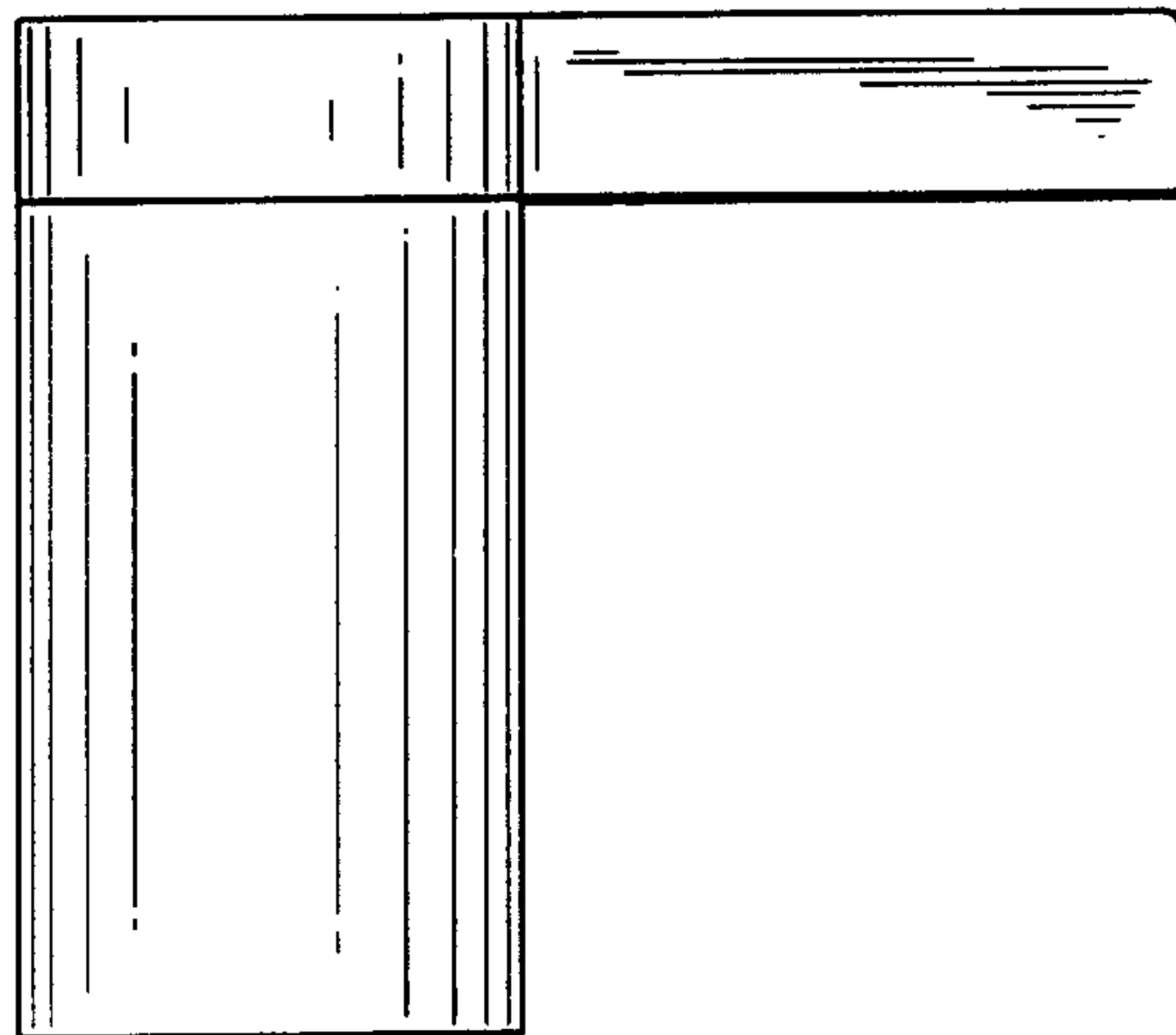


FIG. 8

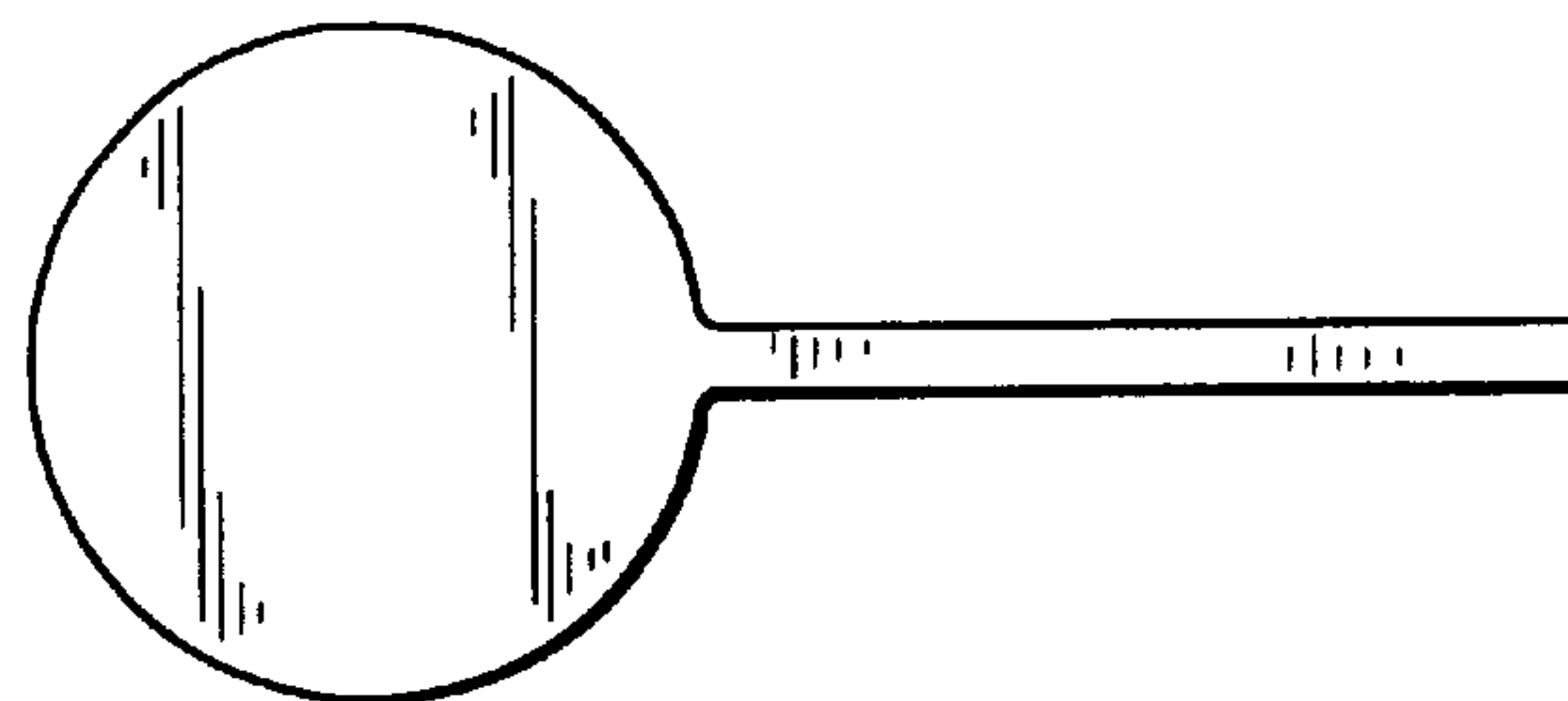


FIG. 9

FIG. 10

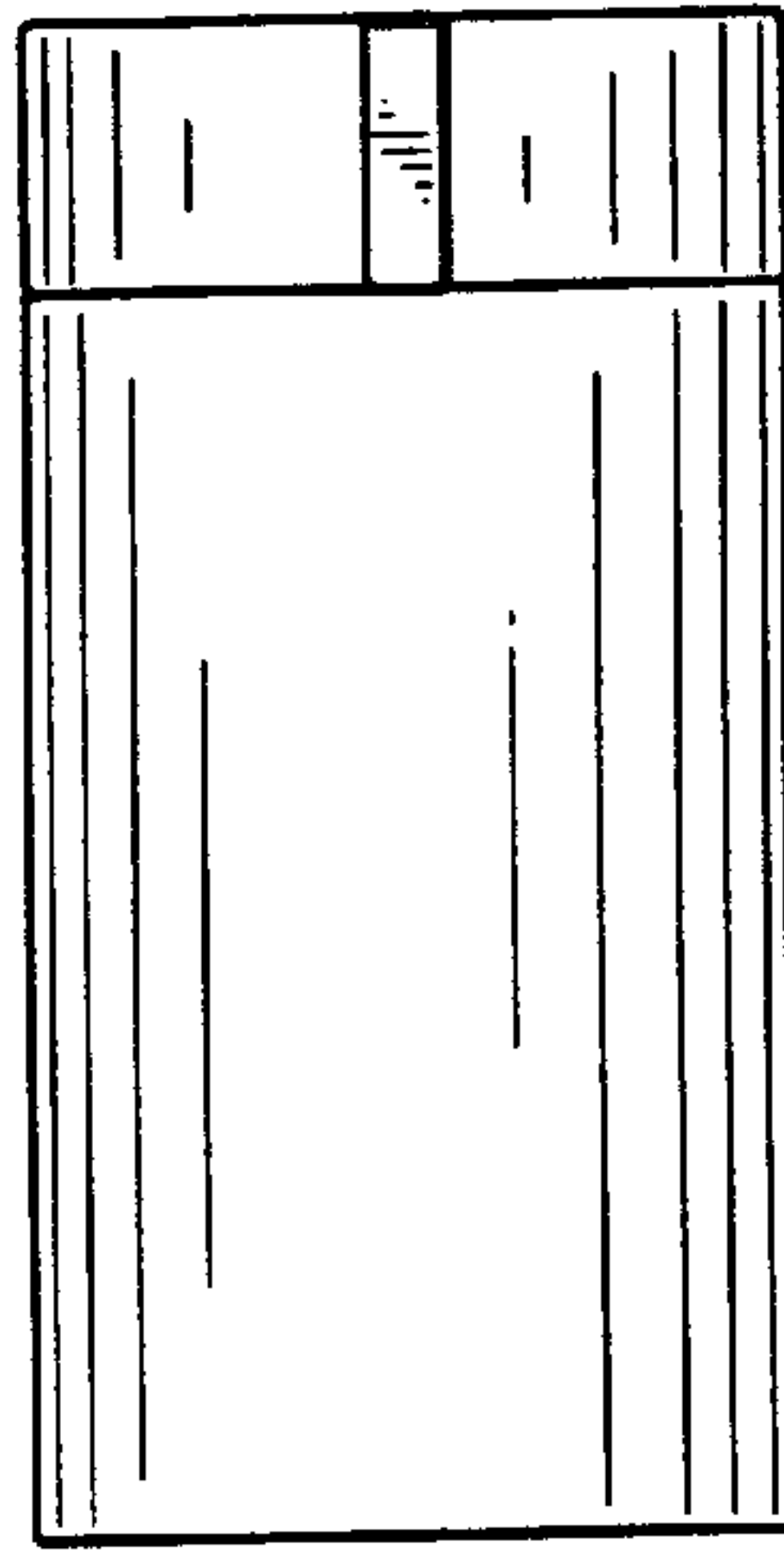


FIG. 11

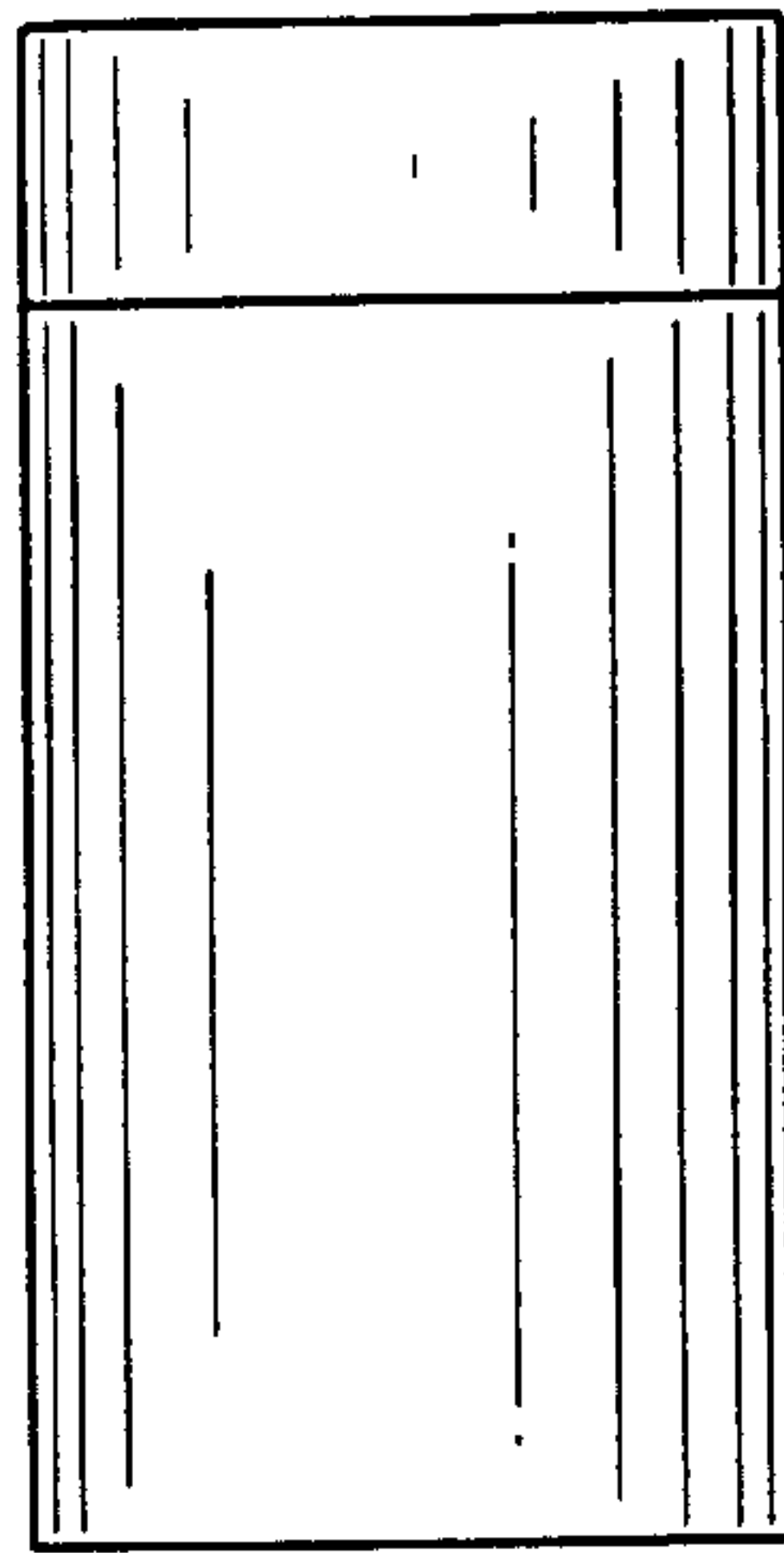


FIG. 12

