



US00D462418S

(12) **United States Design Patent**
Smith

(10) **Patent No.:** **US D462,418 S**

(45) **Date of Patent:** **** Sep. 3, 2002**

(54) **SPOUT**

(75) **Inventor:** **Michael S. Smith**, Santa Monica, CA (US)

(73) **Assignee:** **Kallista, Inc.**, Kohler, WI (US)

(**) **Term:** **14 Years**

(21) **Appl. No.:** **29/121,392**

(22) **Filed:** **Apr. 5, 2000**

(51) **LOC (7) Cl.** **23-01**

(52) **U.S. Cl.** **D23/238**

(58) **Field of Search** D23/238-257;
4/675-678; 16/110 R-121; 137/801

(56) **References Cited**

U.S. PATENT DOCUMENTS

D76,790 S	*	11/1928	Fraser	D23/240
D76,996 S	*	11/1928	Fraser	D23/255
D77,373 S	*	1/1929	Smith	D23/255
D87,829 S	*	9/1932	Ferguson	D23/257
D140,692 S	*	3/1945	Judell	D23/255

OTHER PUBLICATIONS

Undated Altmans catalog ad showing "Suite 70" spouts.
 Undated Altmans catalog ad showing "Suite 60" spouts.
 Undated Dornbracht catalog ad showing a spout.
 Undated Kallista catalog ad, p. 54, showing a "Hampstead" traditional spout.
 Undated Harden catalog ad, p. 46, showing a "Series 78" spout.

Undated Stanadyne catalog ad showing various spouts.
 Undated Kallista catalog ad, p. 55, showing a hexagonal valve escutcheon.
 Undated Kallista catalog ad, p. 69, showing a "Barbara Barry" spout.

* cited by examiner

Primary Examiner—Louis S. Zarfes

Assistant Examiner—Gregory Andoll

(74) *Attorney, Agent, or Firm*—Quarles & Brady LLP

(57) **CLAIM**

The ornamental design for a spout, as shown and described.

DESCRIPTION

In a preferred embodiment, the nature of this product is as a spout for a plumbing fixture which is primarily useful for washing the face and hands of humans.

FIG. 1 is a left, top, front perspective view of a spout embodying my new design;

FIG. 2 is a top plan view thereof;

FIG. 3 is a left side elevational view thereof, the right side elevational view being a mirror image of the left side shown;

FIG. 4 is a front elevational view thereof;

FIG. 5 is a rear elevational view thereof; and,

FIG. 6 is a bottom plan view thereof.

The broken line representation of mounting structure in FIG. 6 is for the purpose of illustration only, and forms no part of the claimed design.

1 Claim, 2 Drawing Sheets

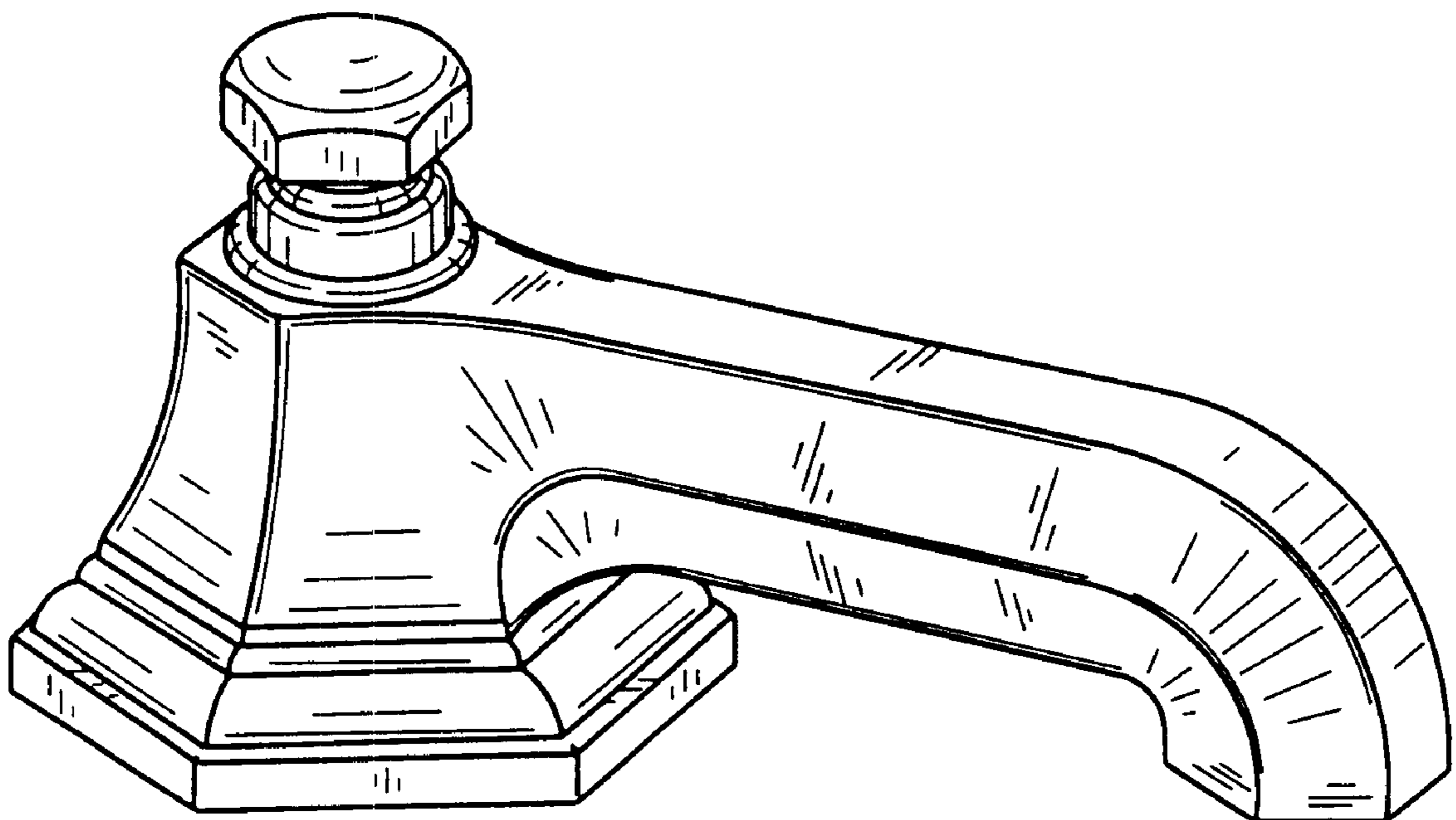


FIG. 1

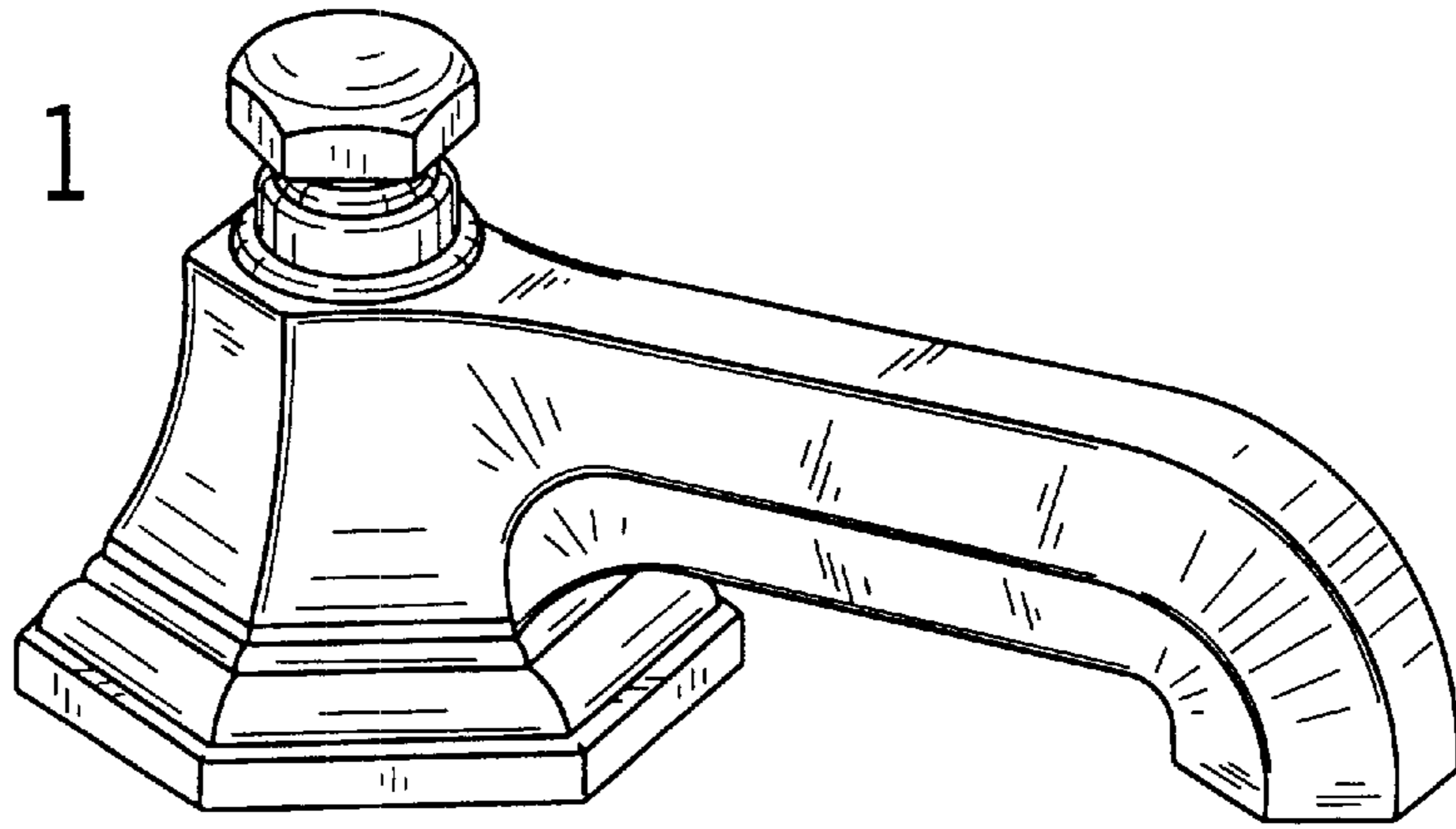


FIG. 2

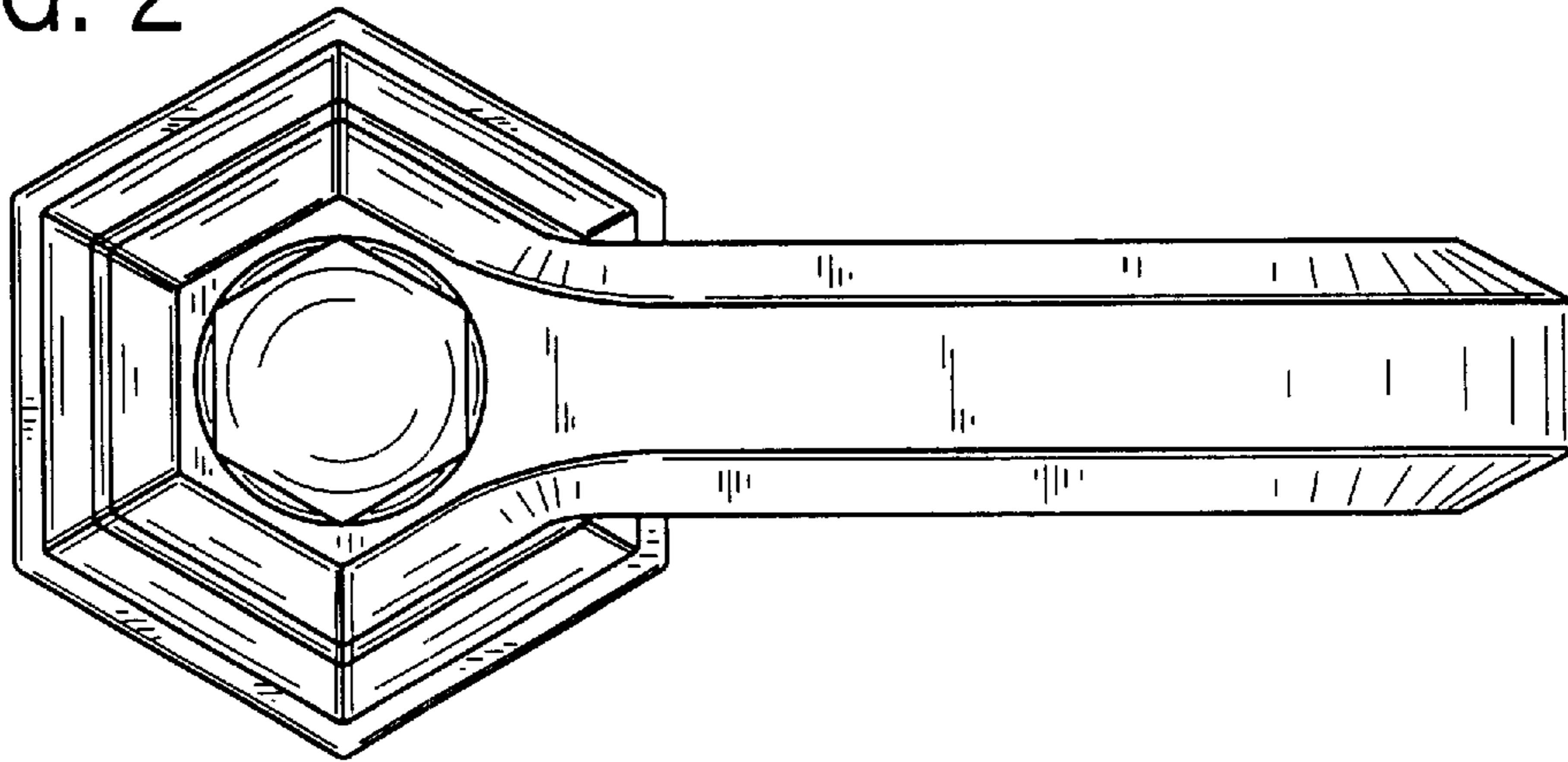


FIG. 3

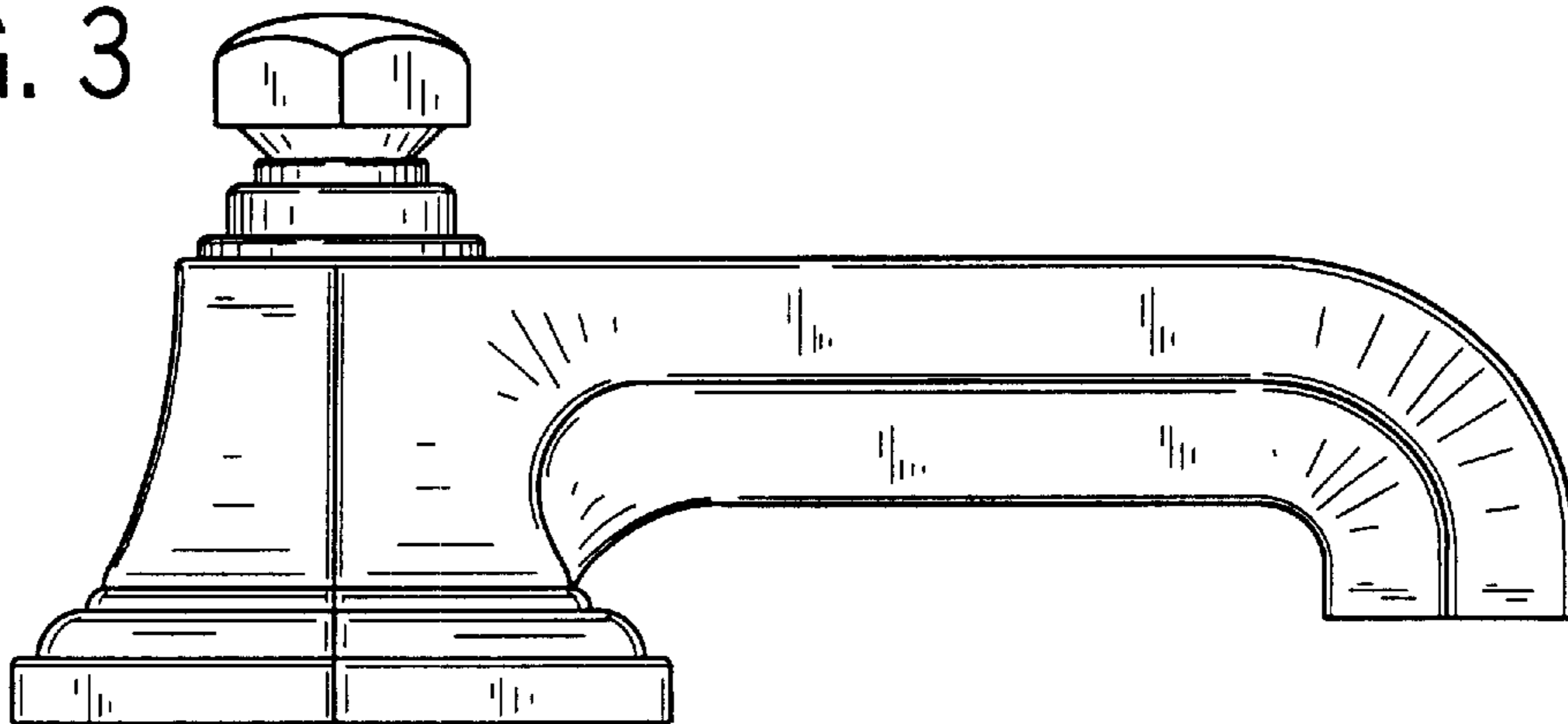


FIG. 4

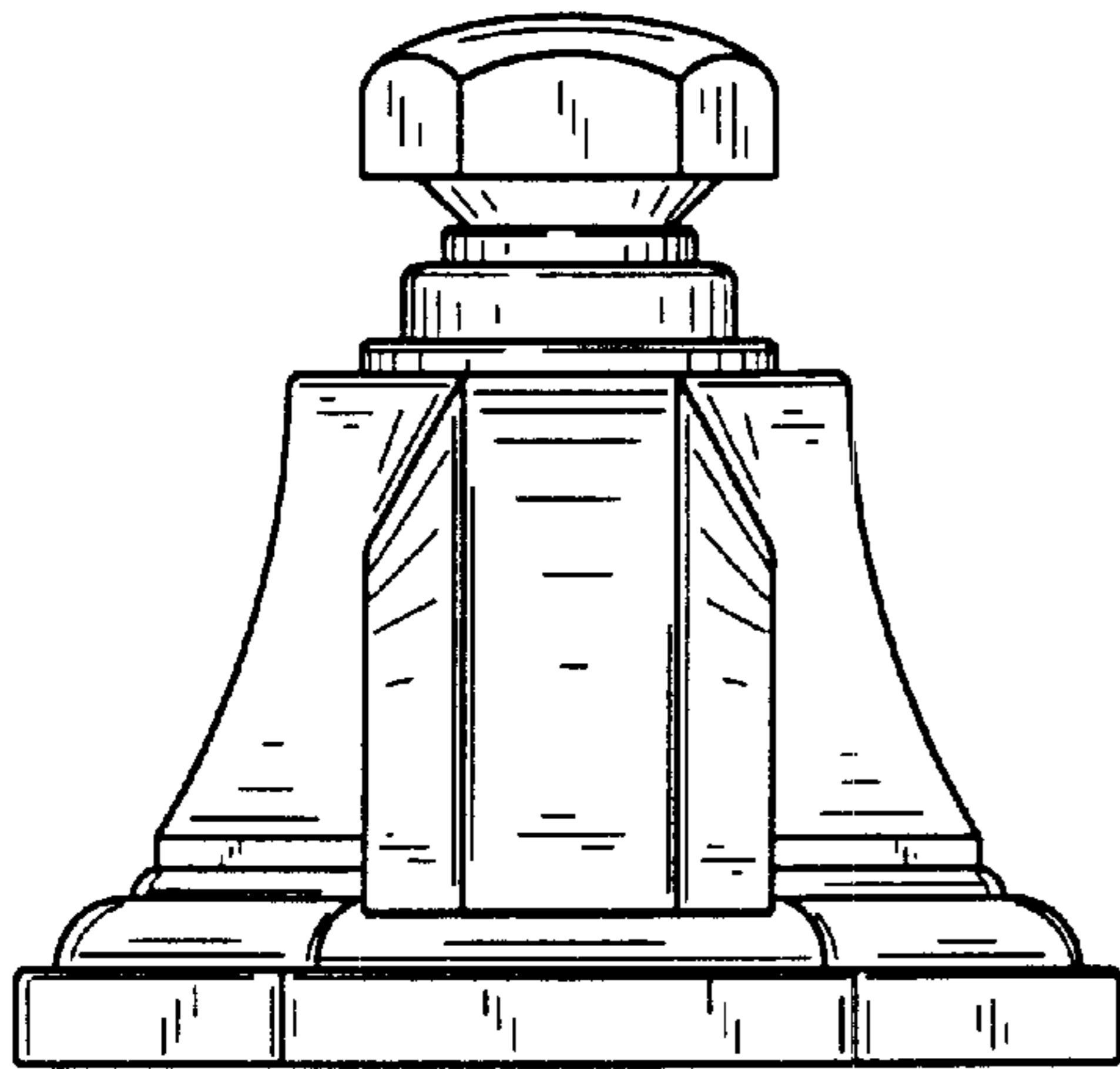


FIG. 5

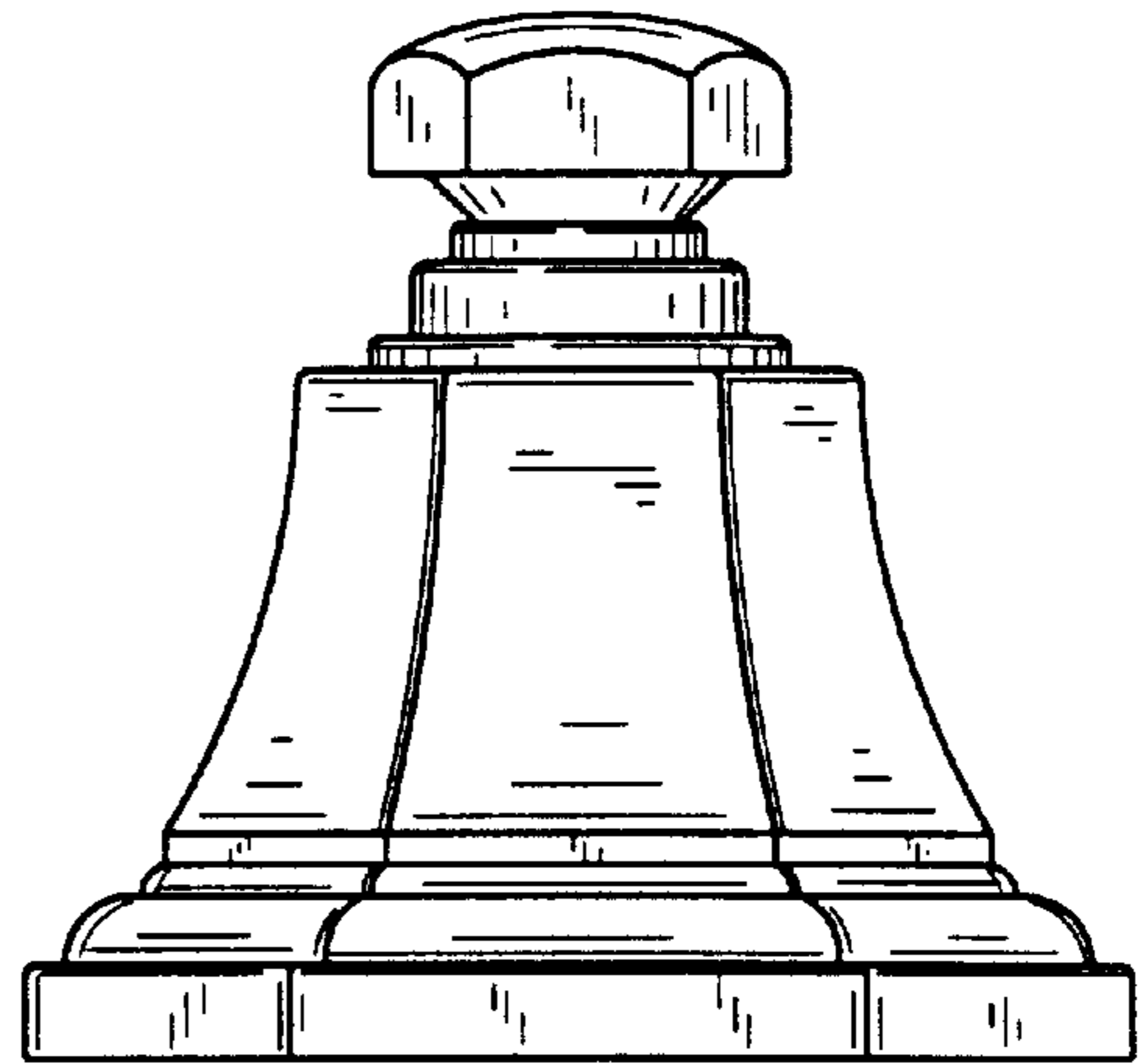


FIG. 6

