



US00D462413S

(12) **United States Design Patent**  
**Teegarden**

(10) **Patent No.:** **US D462,413 S**

(45) **Date of Patent:** **\*\* Sep. 3, 2002**

(54) **FISHING LURE WOBBLE DEVICE**

(76) **Inventor:** **Dean M. Teegarden**, 2109 Madison Ave., Boise, ID (US) 83702

(\*\*) **Term:** **14 Years**

(21) **Appl. No.:** **29/144,575**

(22) **Filed:** **Jul. 5, 2001**

(51) **LOC (7) Cl.** ..... **22-05**

(52) **U.S. Cl.** ..... **D22/126**

(58) **Field of Search** ..... D22/125-133;  
43/44.96, 43.1, 42.31, 42.45, 42.22, 42.35,  
42.37, 42.39; 446/233, 242

(56) **References Cited**

**U.S. PATENT DOCUMENTS**

2,713,742 A	7/1955	Holdaway	43/42.38
2,795,075 A	6/1957	Christian	43/42.22
2,883,785 A	4/1959	Croft	43/42.09
3,533,187 A	* 10/1970	Campbell	446/233
3,729,850 A	5/1973	Waters, Jr.	43/42.37
3,879,881 A	4/1975	Vick	43/41
4,739,576 A	4/1988	Davis	43/42.47
4,796,379 A	1/1989	Rabideau	43/42.48
4,823,495 A	4/1989	Camilleri	43/43.13
4,891,901 A	1/1990	Baker, Jr.	43/42.11
5,197,221 A	3/1993	Kresl	43/42.47

D349,941 S	* 8/1994	Gentry	D22/126
5,528,851 A	* 6/1996	Feher	43/43.1
5,661,922 A	9/1997	Bonomo	43/42.31
D388,495 S	* 12/1997	Gentry	D22/126
5,887,378 A	3/1999	Rhoten	43/42.03
5,918,406 A	7/1999	Wilson	43/42.28
6,083,076 A	* 7/2000	Saint-Victor	446/242
6,173,524 B1	* 1/2001	Kinchen, Sr.	43/43.1

**FOREIGN PATENT DOCUMENTS**

CA 1287211 8/1991

\* cited by examiner

*Primary Examiner*—Catherine R. Oliver

(74) *Attorney, Agent, or Firm*—Stephen M. Nipper; Robert L. Shaver; Frank J. Dykas

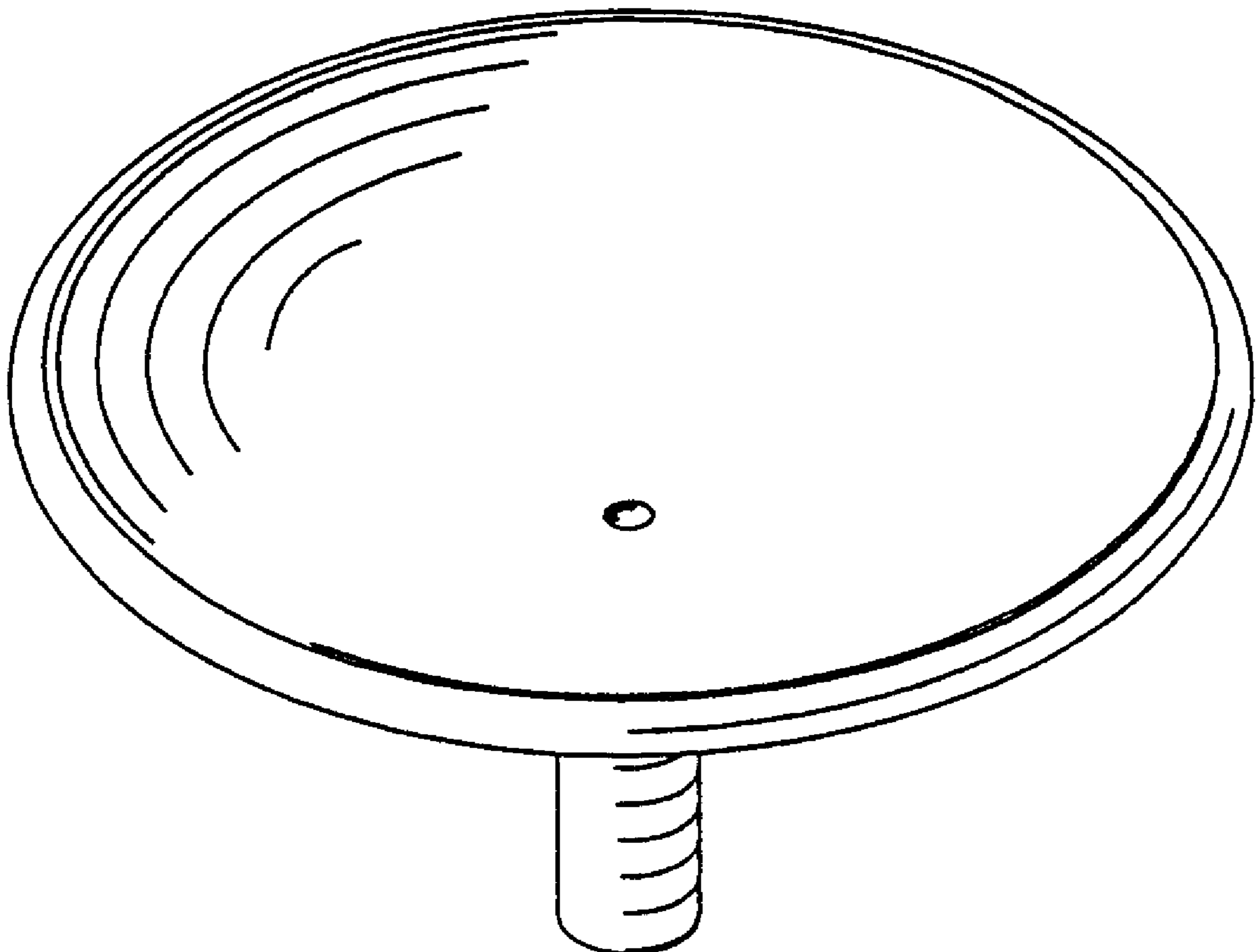
(57) **CLAIM**

The ornamental design for a fishing lure wobble device, as shown and described.

**DESCRIPTION**

FIG. 1 is a perspective view of a fishing lure wobble device showing my new design;  
FIG. 2 is a top plan view thereof;  
FIG. 3 is a side view thereof; and,  
FIG. 4 is a bottom plan view thereof.

**1 Claim, 1 Drawing Sheet**



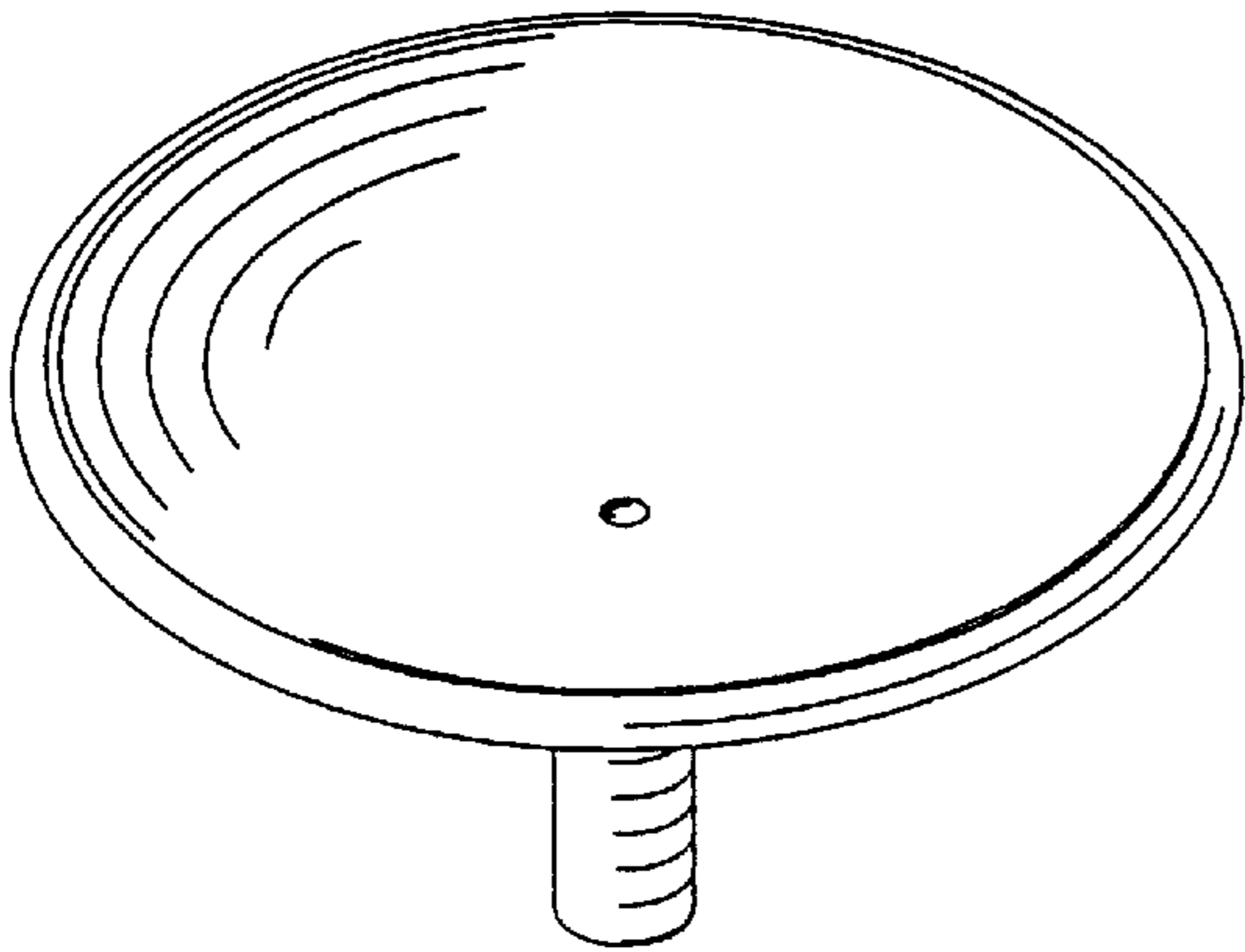


FIG. 1

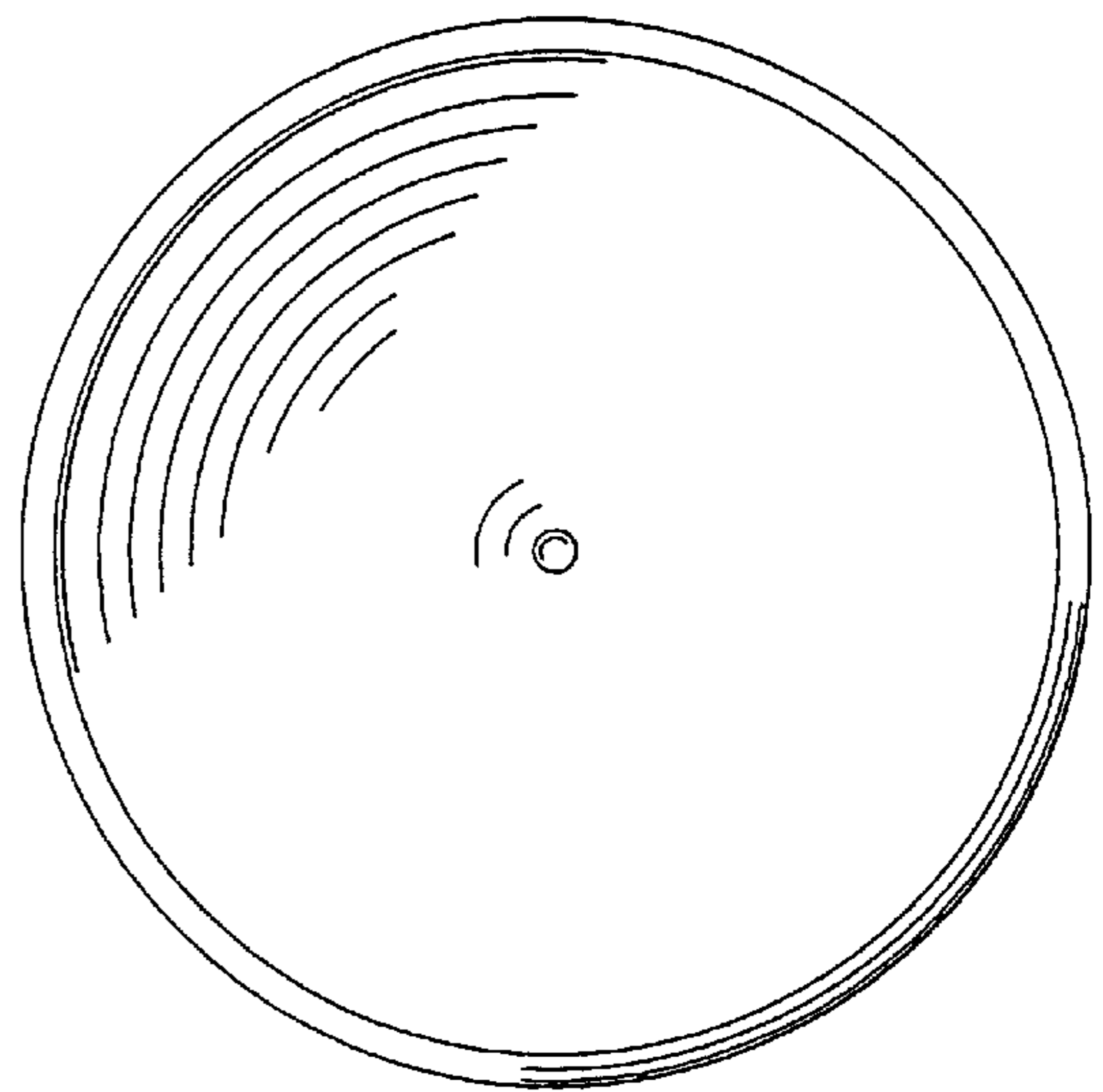


FIG. 2

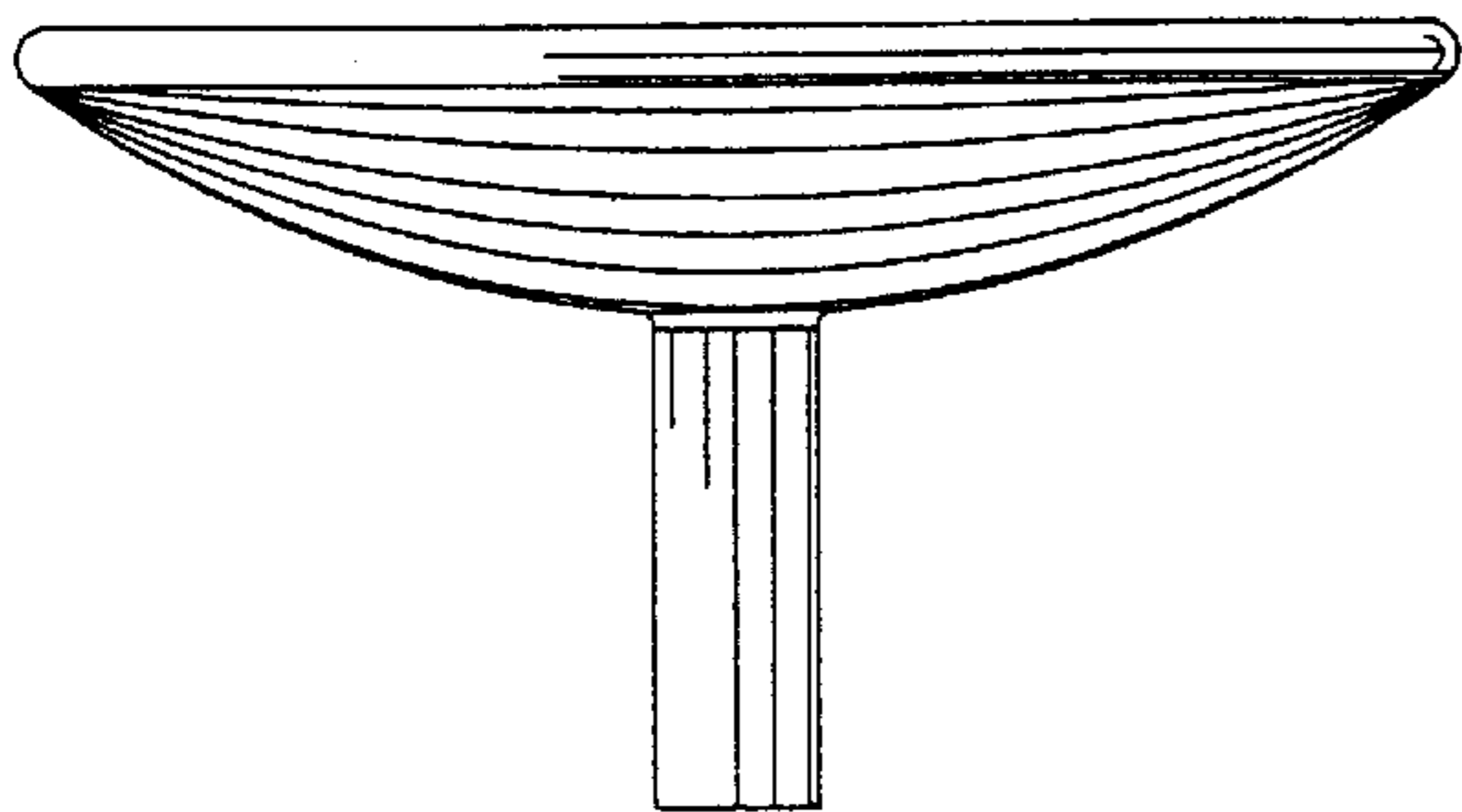


FIG. 3

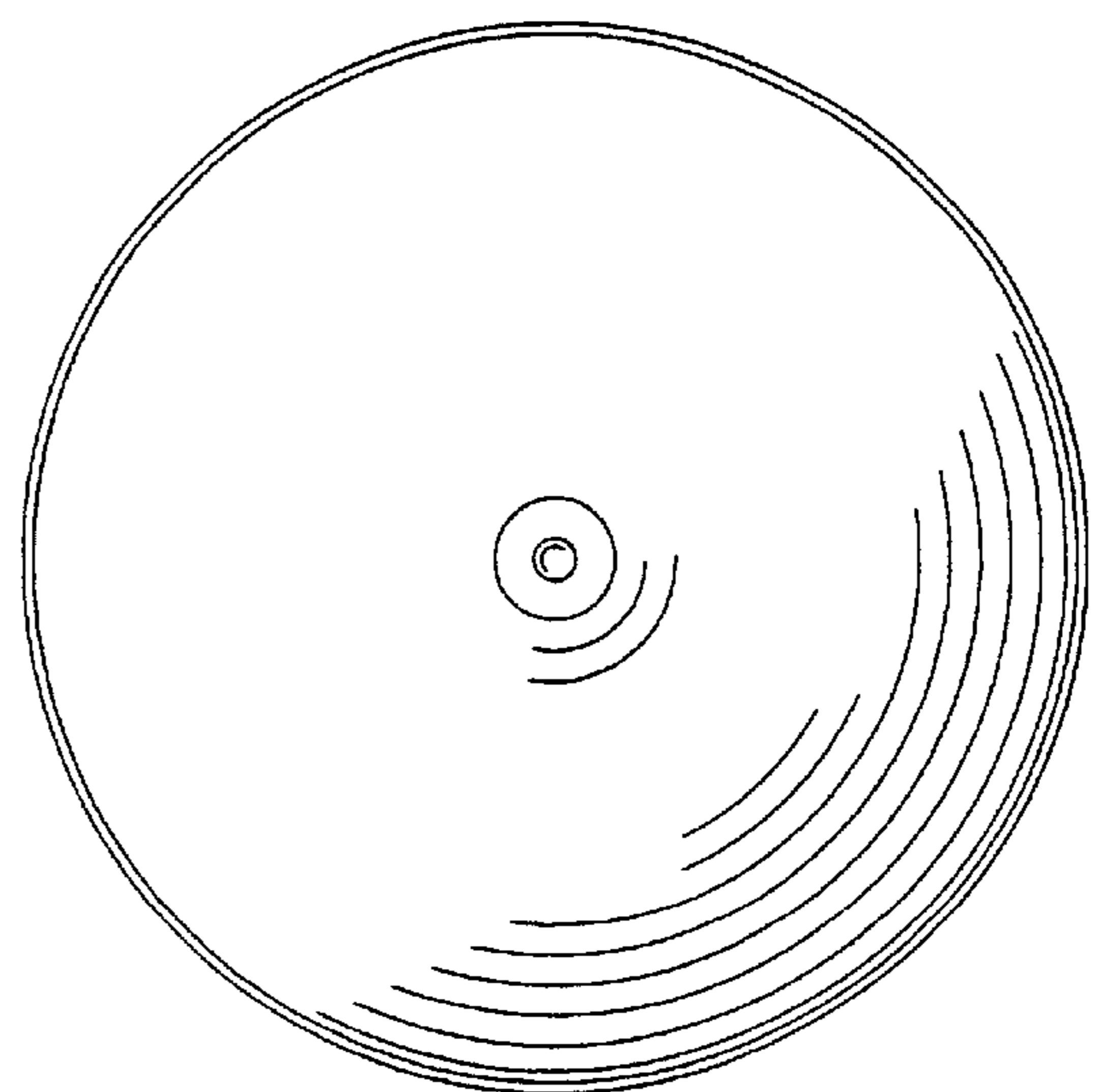


FIG. 4