



US00D462411S

(12) **United States Design Patent**
Paas

(10) **Patent No.:** **US D462,411 S**

(45) **Date of Patent:** **** Sep. 3, 2002**

(54) **OUTDOOR TOY**

(76) Inventor: **Harry W Paas**, 110 Glenn Terr,
Hackettstown, NJ (US) 07840

(**) Term: **14 Years**

3,172,659 A	3/1965	Daleiden	
3,462,140 A	* 8/1969	Halaj	472/18
3,661,386 A	5/1972	Green	
D270,558 S	* 9/1983	Fuller	D21/412
D291,718 S	9/1987	Spencer	
D331,430 S	* 12/1992	Nolan	D21/830

* cited by examiner

(21) Appl. No.: **29/150,863**

(22) Filed: **Nov. 30, 2001**

(51) **LOC (7) Cl.** **21-03**

(52) **U.S. Cl.** **D21/830**

(58) **Field of Search** D21/412, 828,
D21/830; 472/18, 19; 482/35, 36

(56) **References Cited**

U.S. PATENT DOCUMENTS

D54,267 S	* 12/1919	Jordan et al.	D21/412
1,635,387 A	7/1927	Pullen et al.	
1,663,278 A	3/1928	Oltersdorf	
1,744,317 A	1/1930	Laswell	
D146,168 S	* 1/1947	Buczowski	D21/412
2,711,898 A	* 6/1955	Iasillo	472/19
2,943,854 A	7/1960	Levinson	

Primary Examiner—Mitchell Siegel

(57) **CLAIM**

The ornamental design for a outdoor toy, as shown and described.

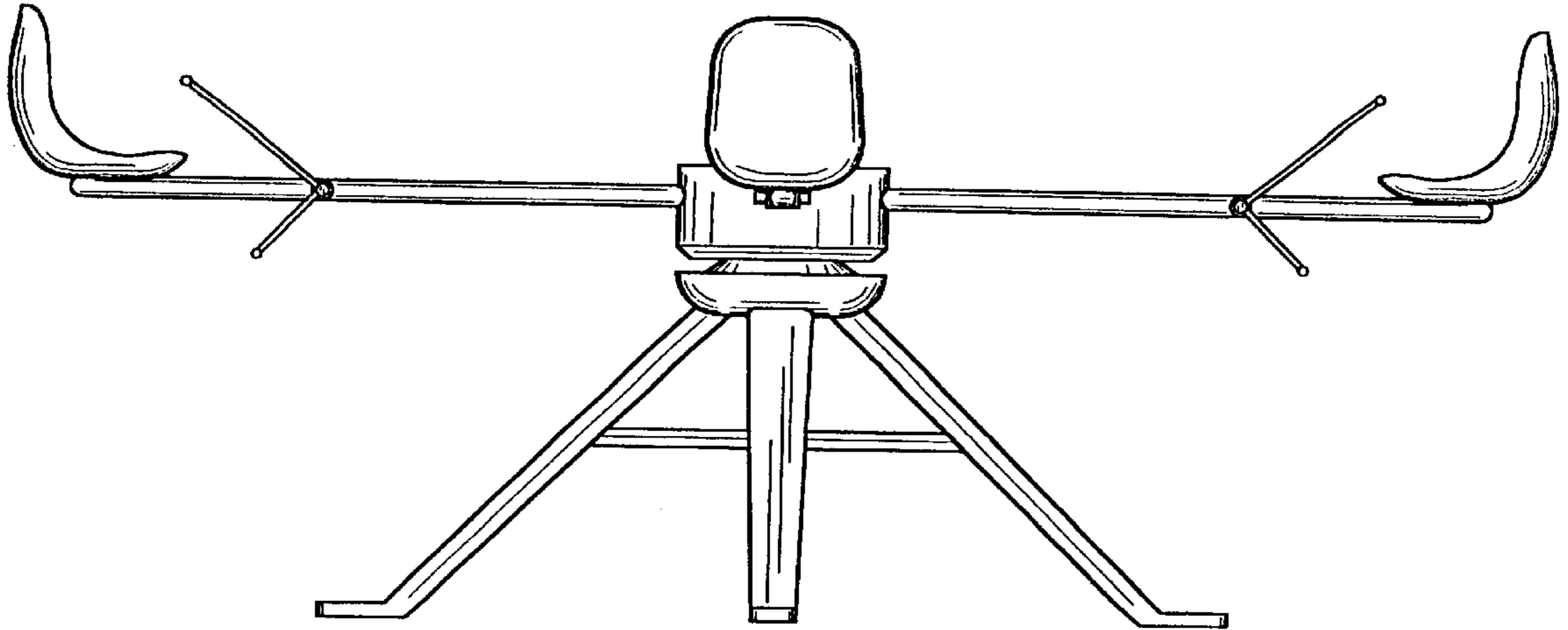
DESCRIPTION

FIG. 1 is a front elevational view of the outdoor toy of the present invention, the rear view being a mirror image thereof;

FIG. 2 is a left side elevational view of the outdoor toy of FIG. 1, the right view being a mirror image thereof;

FIG. 3 is a top plan view of the outdoor toy of FIG. 1; and, FIG. 4 is a bottom plan view of the outdoor toy of FIG. 1.

1 Claim, 3 Drawing Sheets



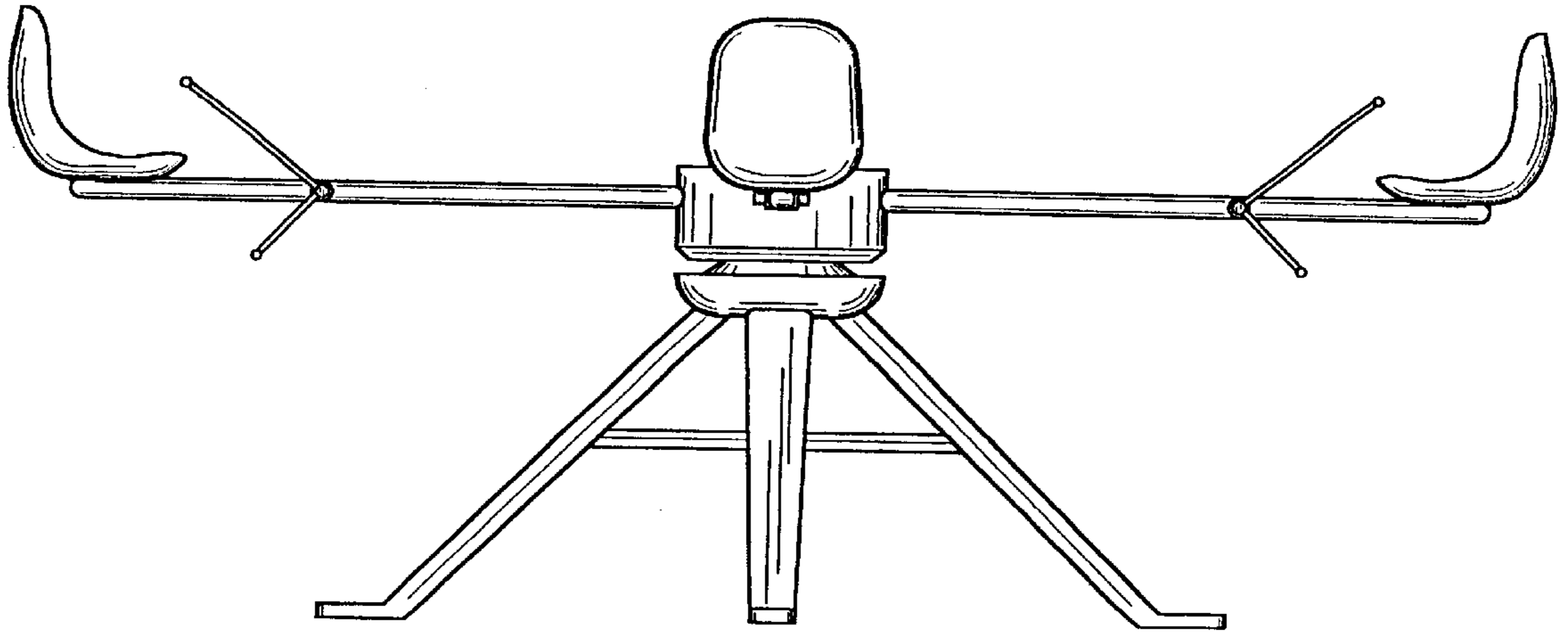


FIG. 1

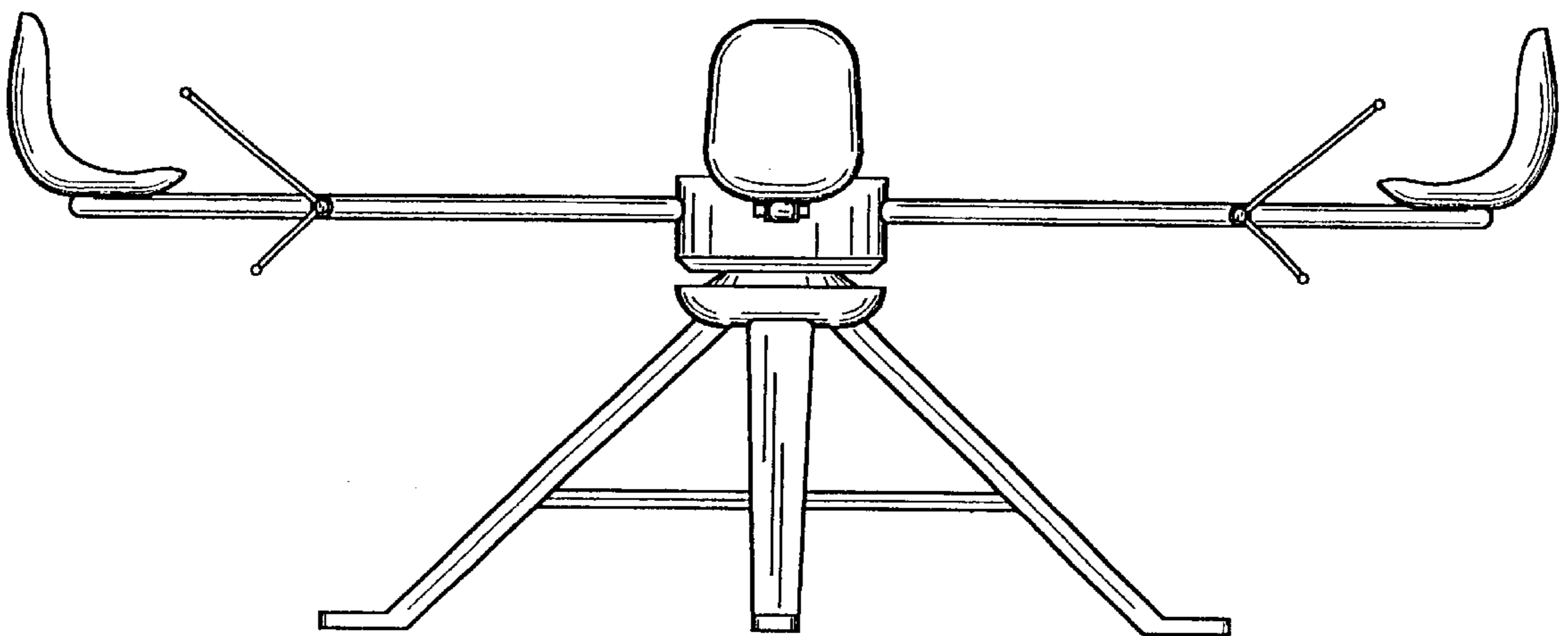


FIG. 2

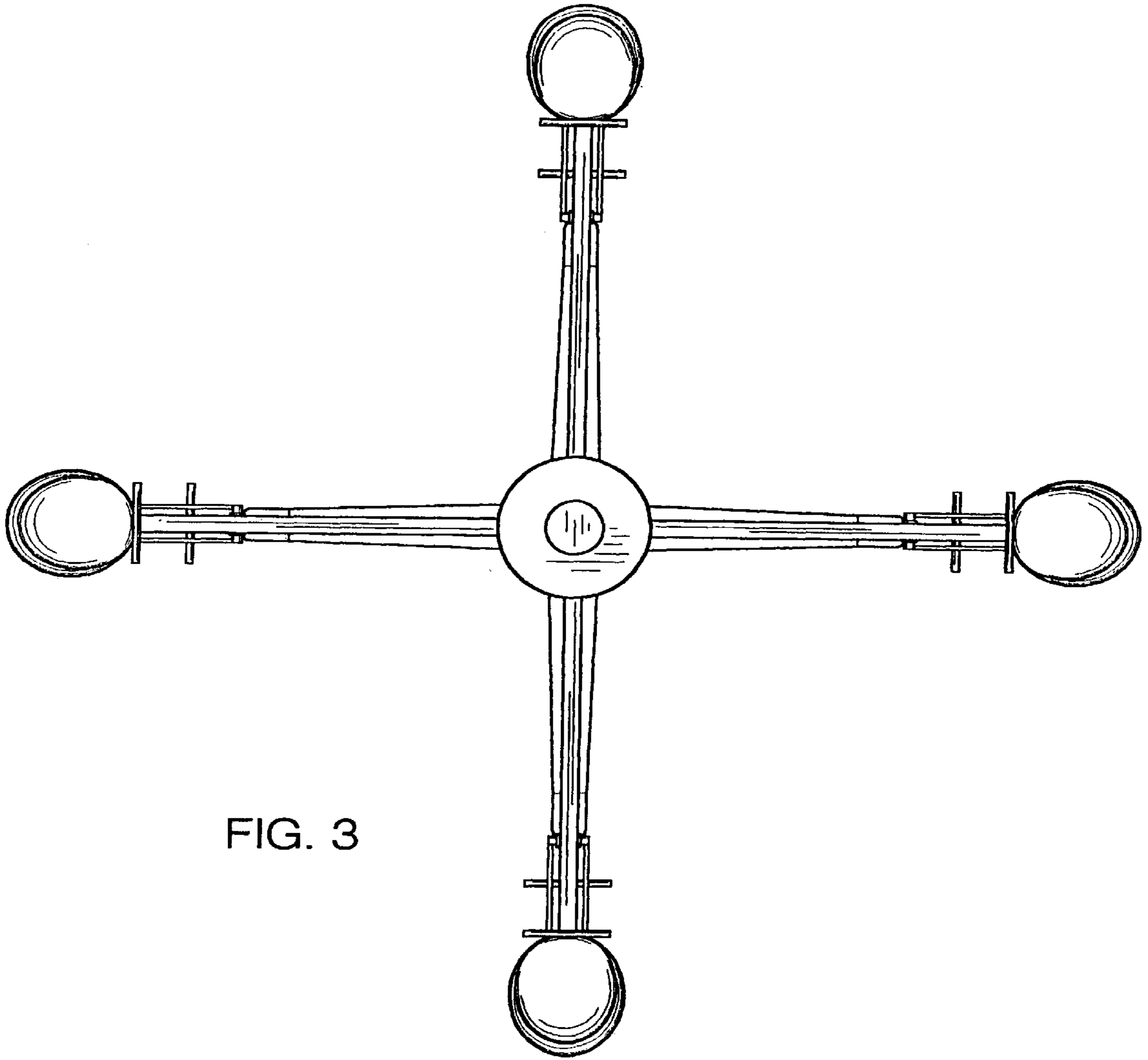


FIG. 3

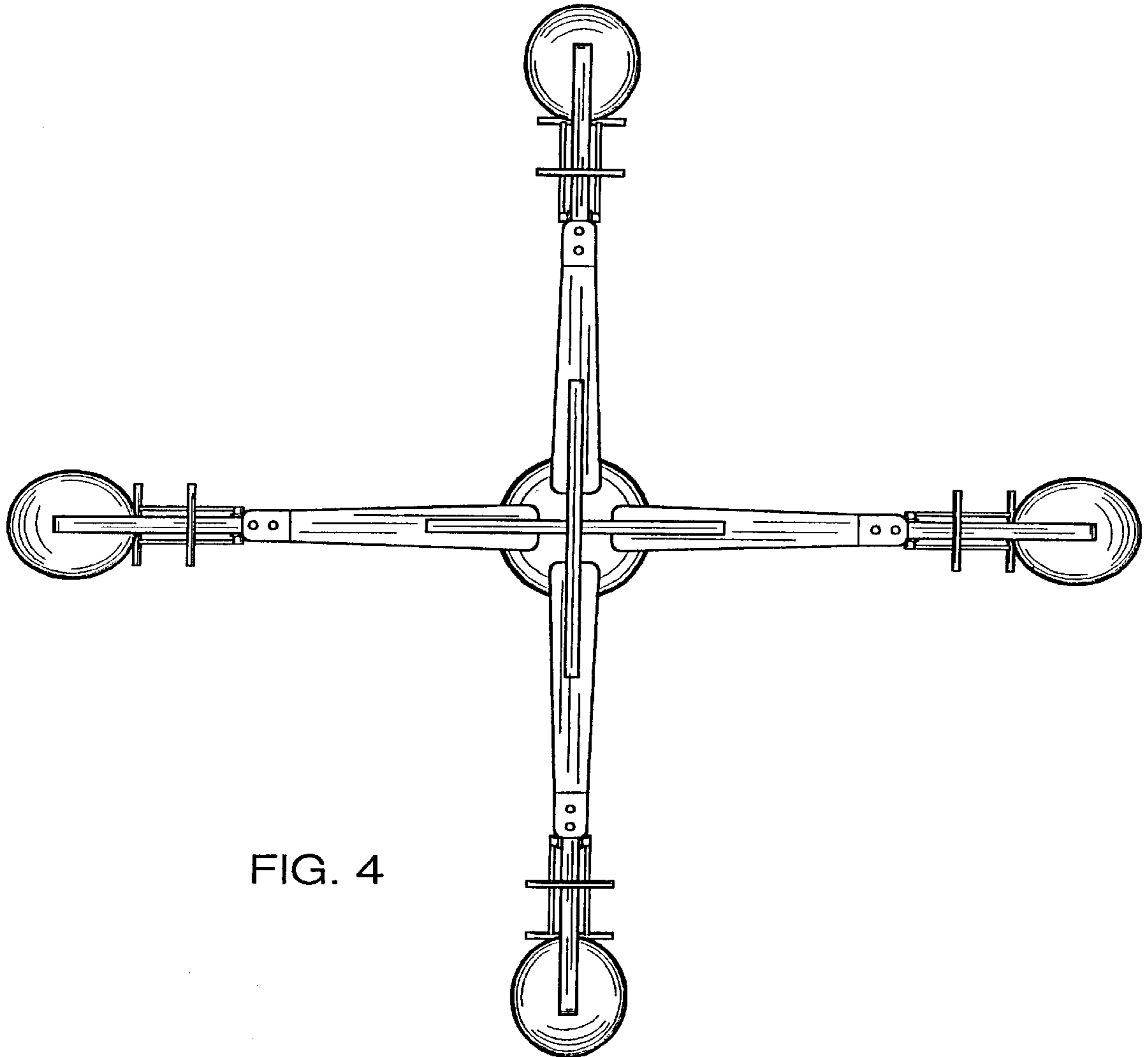


FIG. 4