



US00D462409S

(12) **United States Design Patent**  
**Arnold**

(10) **Patent No.:** **US D462,409 S**

(45) **Date of Patent:** **\*\* Sep. 3, 2002**

(54) **GOLF TEE MARKER**

(76) Inventor: **Christopher M. Arnold**, 380 Chestnut St., Wrentham, MA (US) 02093

(\*\*) Term: **14 Years**

(21) Appl. No.: **29/145,256**

(22) Filed: **Jul. 19, 2001**

(51) **LOC (7) Cl.** ..... **21-02**

(52) **U.S. Cl.** ..... **D21/794**

(58) **Field of Search** ..... D21/793, 794;  
473/405

(56) **References Cited**

**U.S. PATENT DOCUMENTS**

1,089,824 A	3/1914	Deming
1,129,013 A	2/1915	Reach
1,530,538 A	3/1925	Affeldt
1,538,537 A	5/1925	Wood
1,543,466 A	6/1925	Worthington
1,639,765 A	8/1927	Fisher
1,832,947 A	11/1931	Sears et al.
D155,576 S	10/1949	Burch
D192,012 S	1/1962	Buffamoyer
D298,104 S	10/1988	Harmon
D311,431 S	10/1990	Weber

D312,292 S	11/1990	Retacco et al.
5,029,855 A	7/1991	Jamieson et al.
D367,907 S	3/1996	Sandstrom et al.
D384,386 S	9/1997	Eakins
D398,361 S	9/1998	DiCesari et al.
D403,390 S	* 12/1998	Lenz ..... D21/794
D407,129 S	3/1999	Bernatz
D426,278 S	6/2000	Parrella et al.
D444,198 S	* 6/2001	Monk et al. .... D21/794

\* cited by examiner

*Primary Examiner*—Mitchell Siegel

(74) *Attorney, Agent, or Firm*—John P. McGonagle

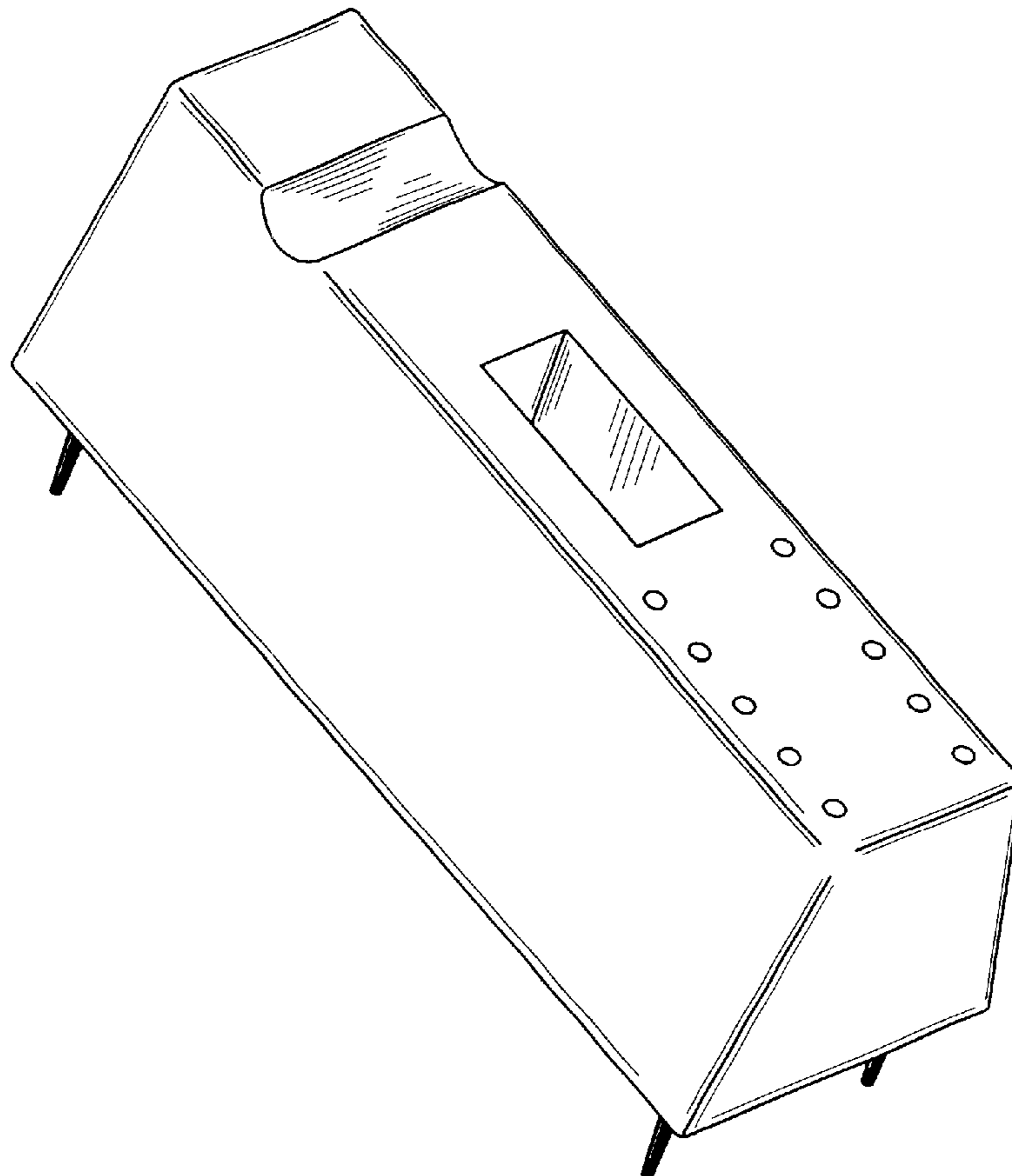
(57) **CLAIM**

The ornamental design for a golf tee marker, as shown and described.

**DESCRIPTION**

FIG. 1 is a perspective view of a golf tee marker embodying my new design;  
 FIG. 2 is an end view thereof, the opposite side being a mirror image thereof;  
 FIG. 3 is a top view thereof;  
 FIG. 4 is a front side elevational view thereof, the opposite side being a mirror image thereof; and,  
 FIG. 5 is a bottom view thereof.

**1 Claim, 2 Drawing Sheets**



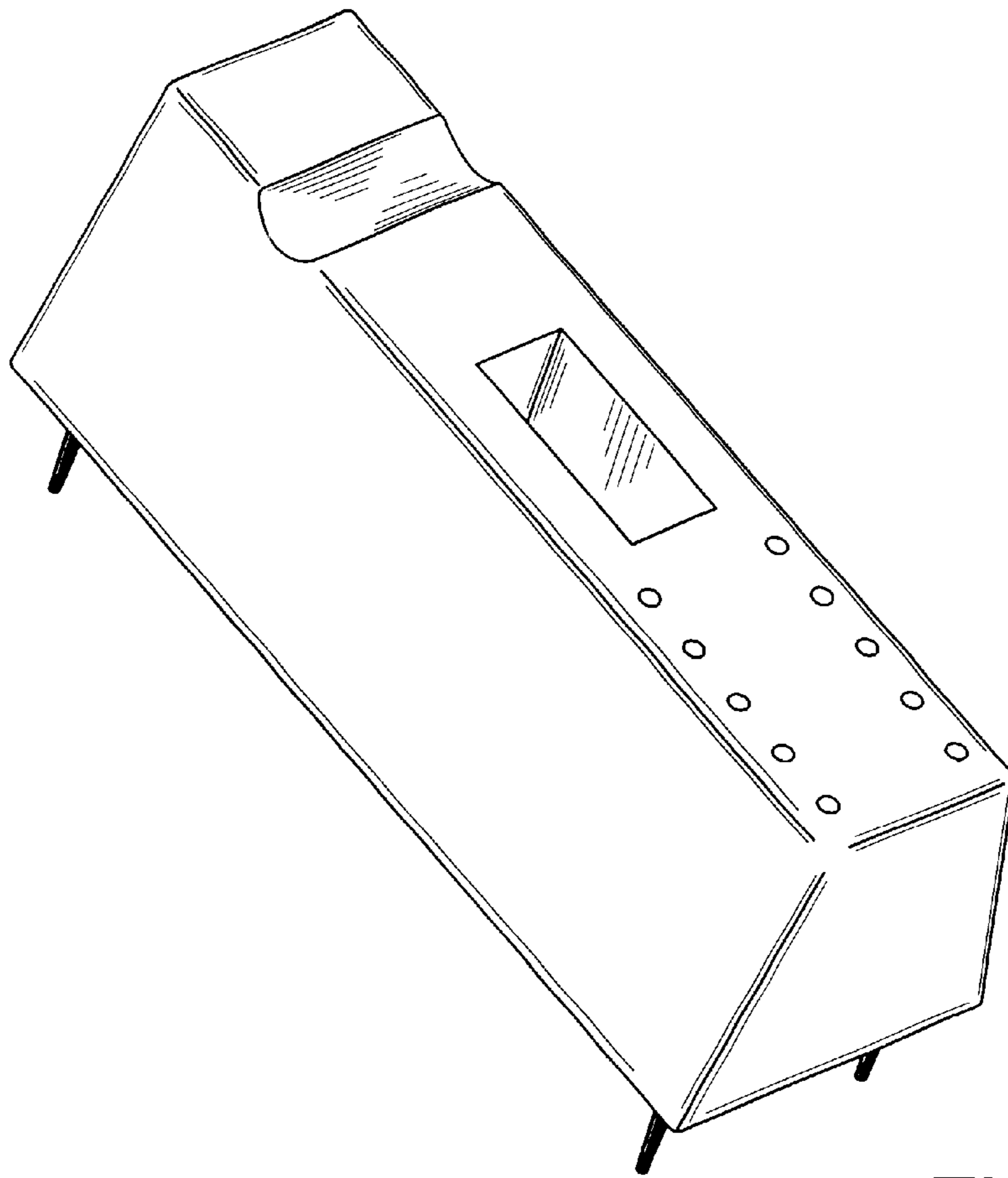


FIG. 1

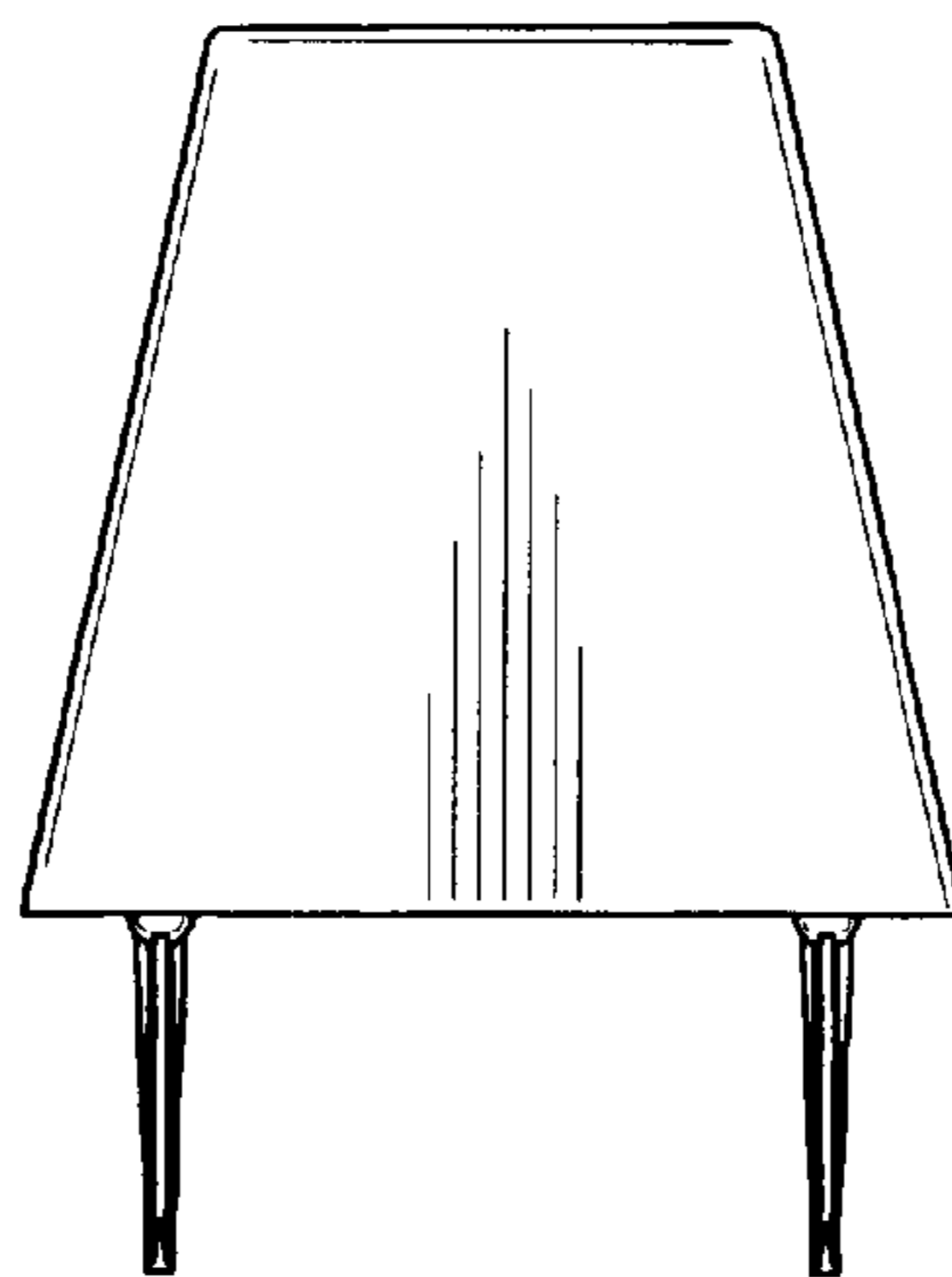


FIG. 2

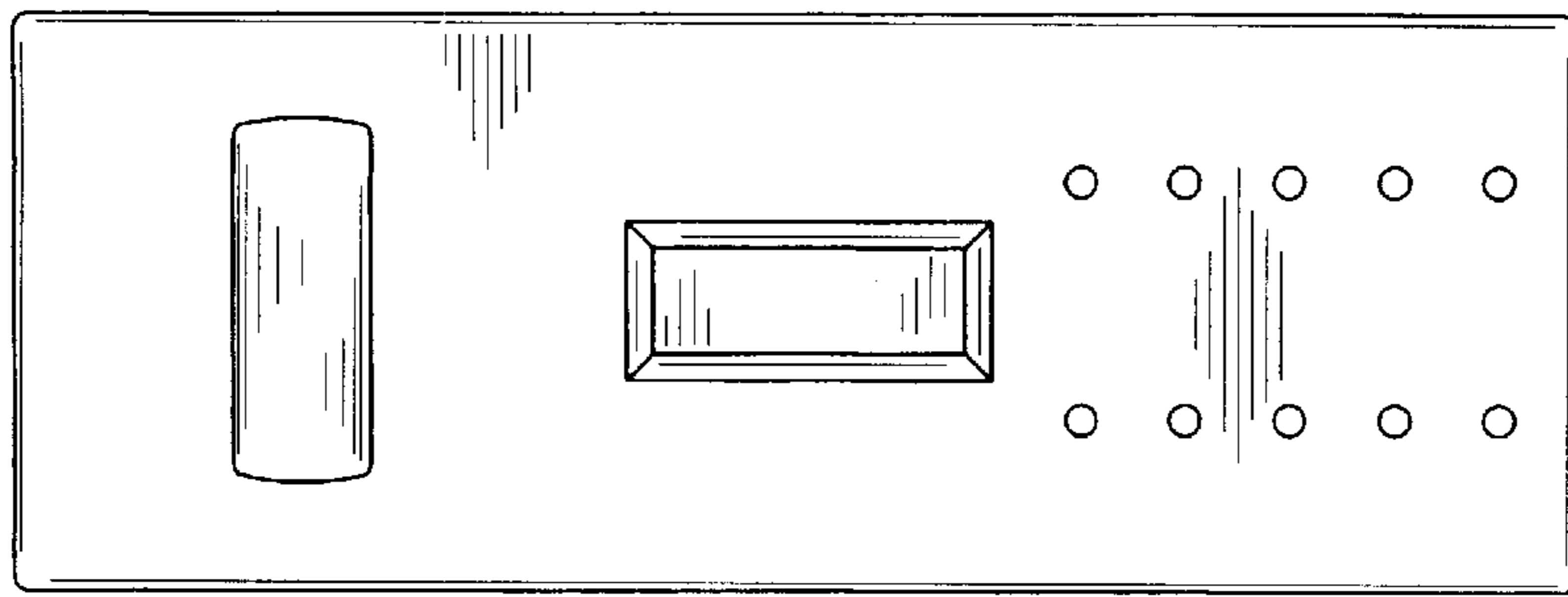


FIG. 3

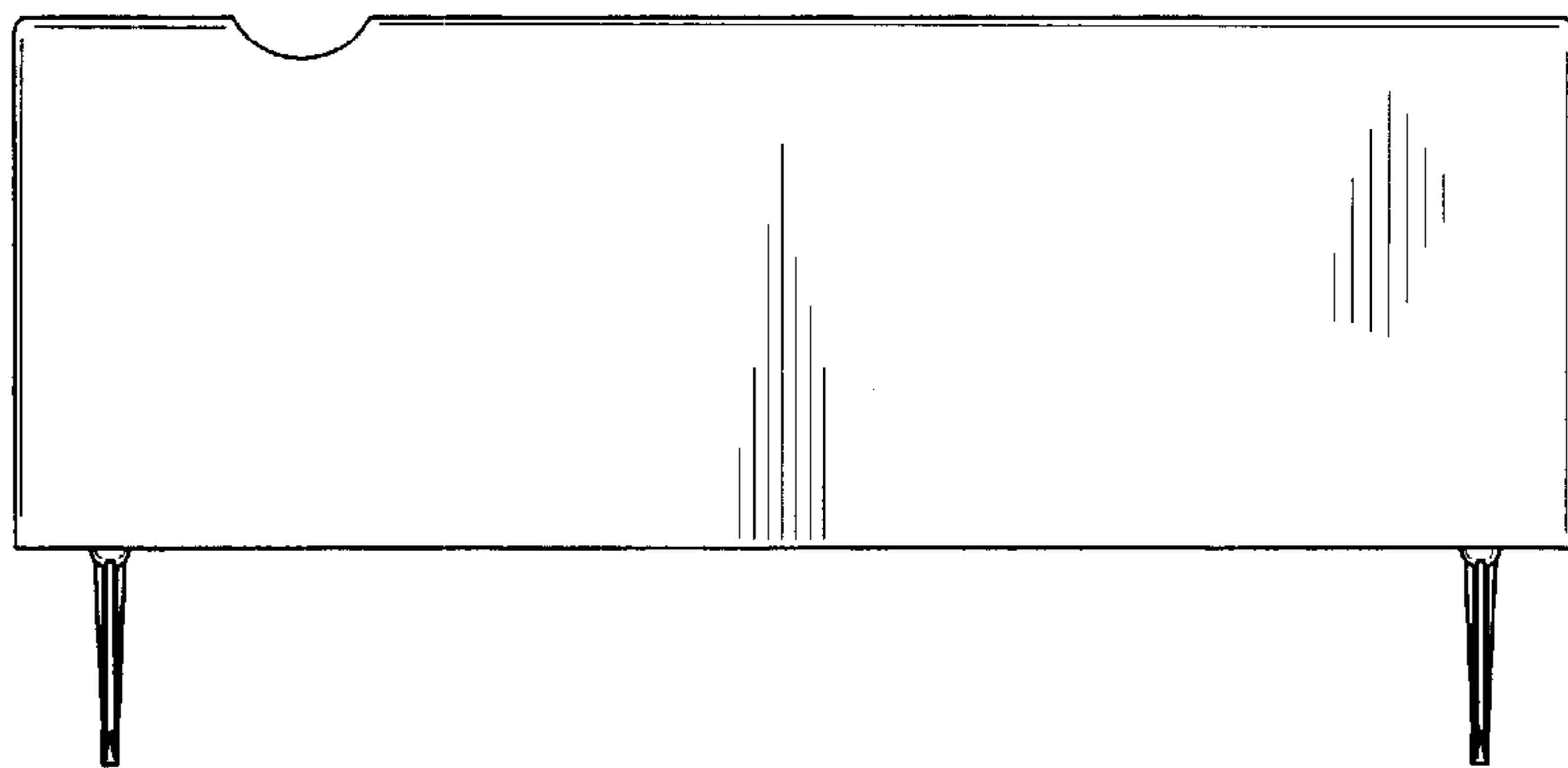


FIG. 4

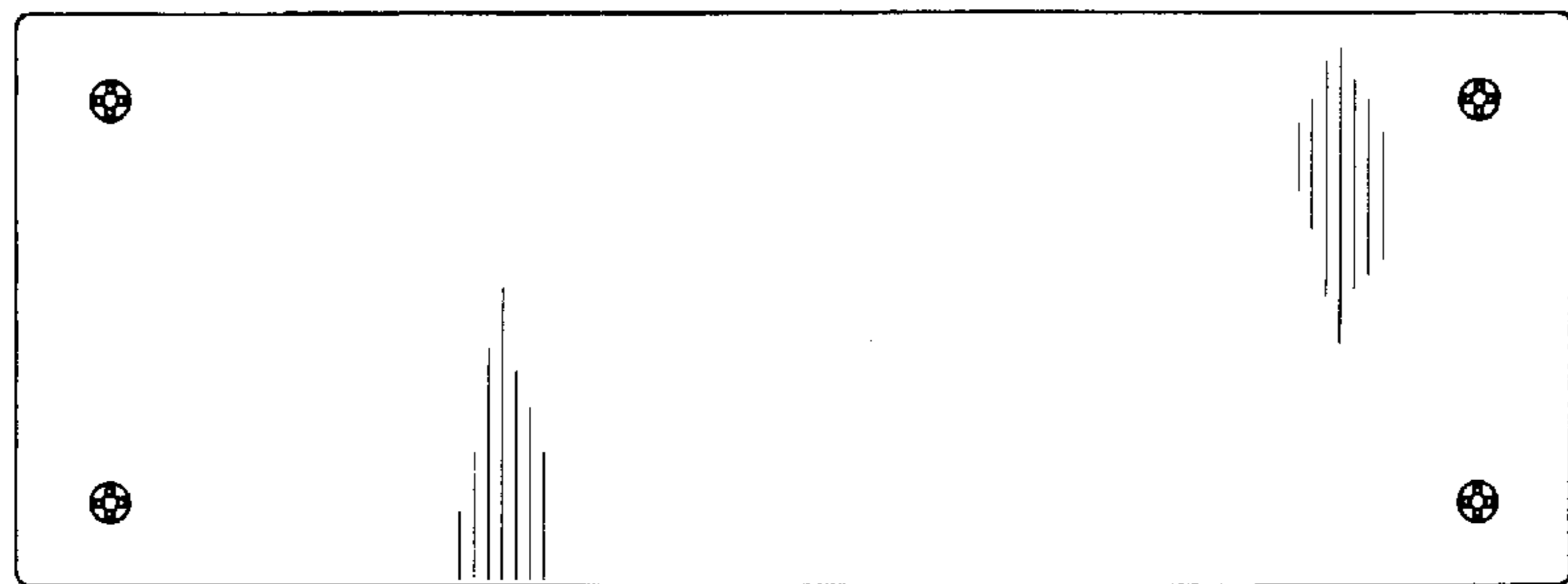


FIG. 5