



US00D462402S

(12) **United States Design Patent**  
**Makhotkin et al.**

(10) **Patent No.:** **US D462,402 S**

(45) **Date of Patent:** **\*\* Sep. 3, 2002**

(54) **SPINNING TOP**

(76) Inventors: **Viacheslav Makhotkin; Sergey Makhotkin**, both of 1371 Stoneridge Cir., Escondido, CA (US) 92029; **Sergey Solntsev**, Facultetski pereulok 3-32, Moscow (RU), 125080

(\*\*) Term: **14 Years**

(21) Appl. No.: **29/145,461**

(22) Filed: **Jul. 23, 2001**

(51) **LOC (7) Cl.** ..... **21-02**

(52) **U.S. Cl.** ..... **D21/460; D21/461**

(58) **Field of Search** ..... D21/455, 460, D21/461; 446/256, 259, 263

(56) **References Cited**

**U.S. PATENT DOCUMENTS**

D58,079 S	*	6/1921	Glenn	.....	D21/460
D117,797 S	*	11/1939	Niedzinski	.....	D21/460
D157,985 S	*	4/1950	Krapp	.....	D21/461
3,246,427 A	*	4/1966	Tuuri	.....	446/259
D214,746 S	*	7/1969	Montgomery	.....	D21/461
3,628,285 A		12/1971	Murakami		
D224,743 S	*	9/1972	Harzmann	.....	D21/460
D237,521 S	*	11/1975	Tremblay	.....	D21/460

4,090,715 A		5/1978	Wagner et al.		
4,182,077 A		1/1980	Wagner et al.		
4,713,039 A		12/1987	Wong		
D322,100 S	*	12/1991	Brown	.....	D21/460
D356,347 S	*	3/1995	Nonaka et al.	.....	D21/460
5,683,284 A		11/1997	Christen		
5,868,101 A		2/1999	Marshall		
6,146,233 A		11/2000	Hedeem, Jr.		

\* cited by examiner

*Primary Examiner*—Dominic Simone

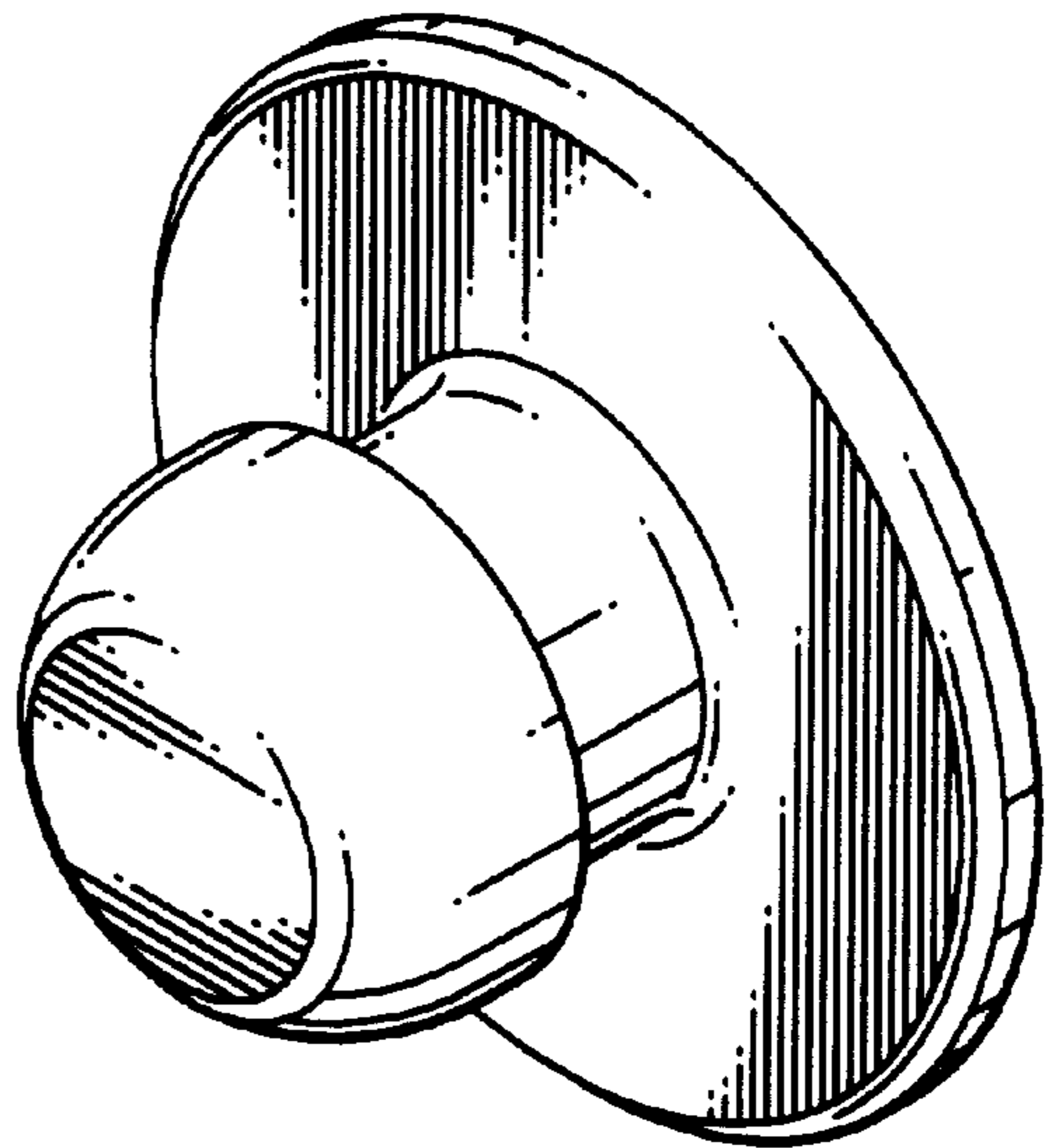
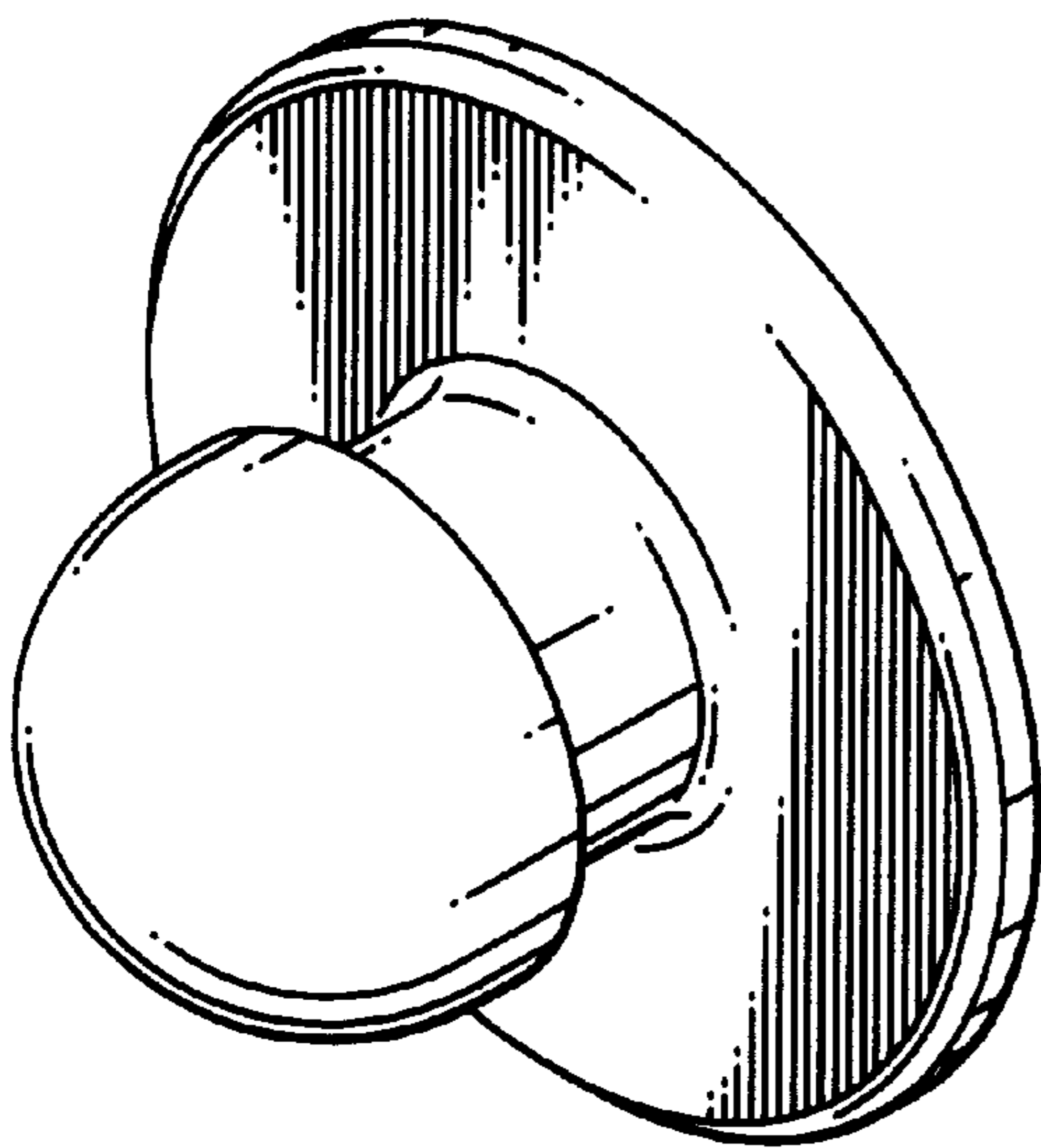
(57) **CLAIM**

The ornamental design for a spinning top, as shown.

**DESCRIPTION**

FIG. 1 is a right, front perspective view of a spinning top, showing our new design;  
 FIG. 2 is a right side elevational view thereof, the left side, top and bottom being identical;  
 FIG. 3 is front elevational view thereof;  
 FIG. 4 is a right, front perspective view of a second embodiment of FIG. 1;  
 FIG. 5 is a right side elevational view of FIG. 4, the left side, top and bottom being identical; and,  
 FIG. 6 is front elevational view of FIG. 4.  
 The rear of the spinning top is a flat surface.

**1 Claim, 1 Drawing Sheet**



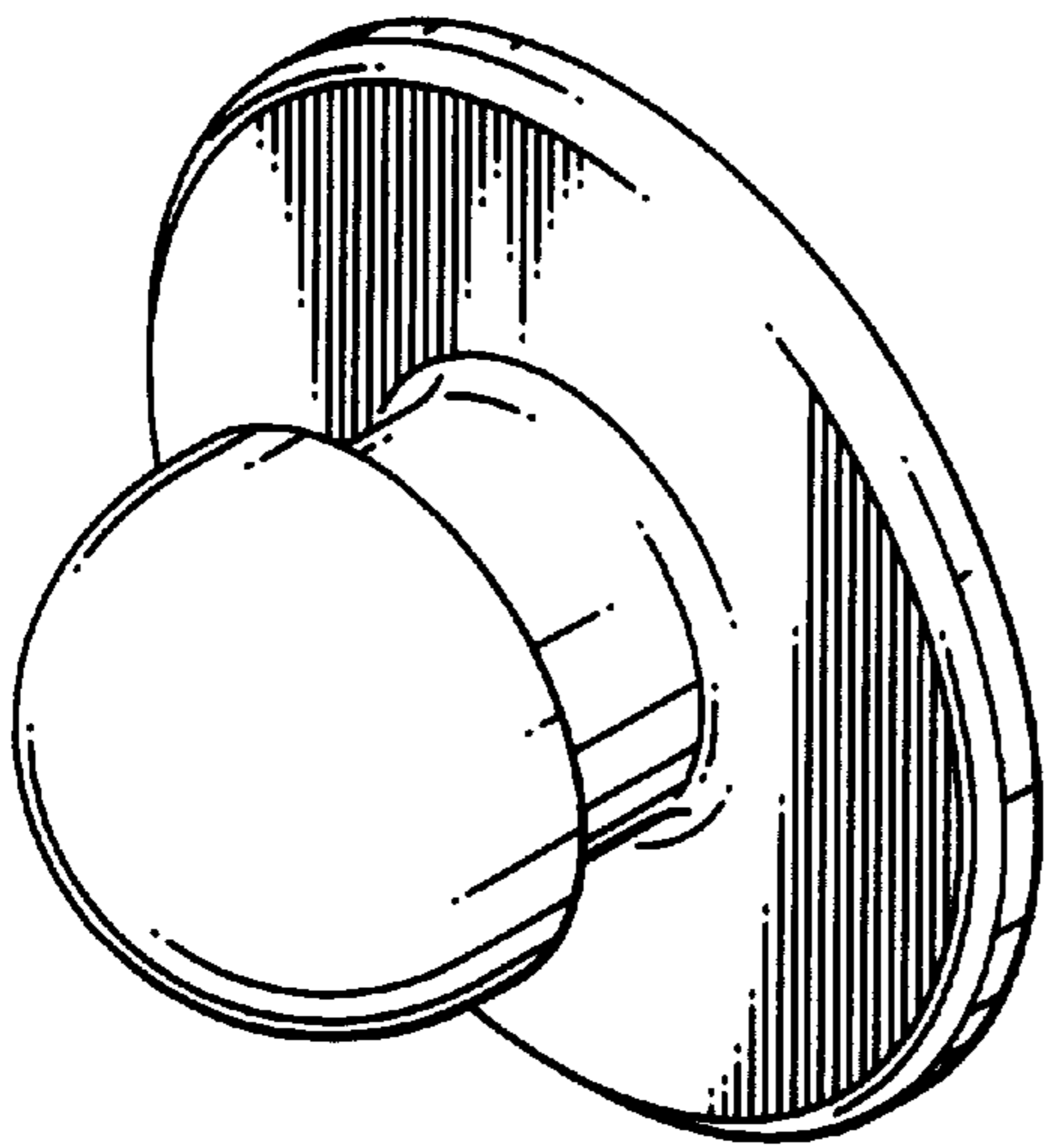


FIG. 1

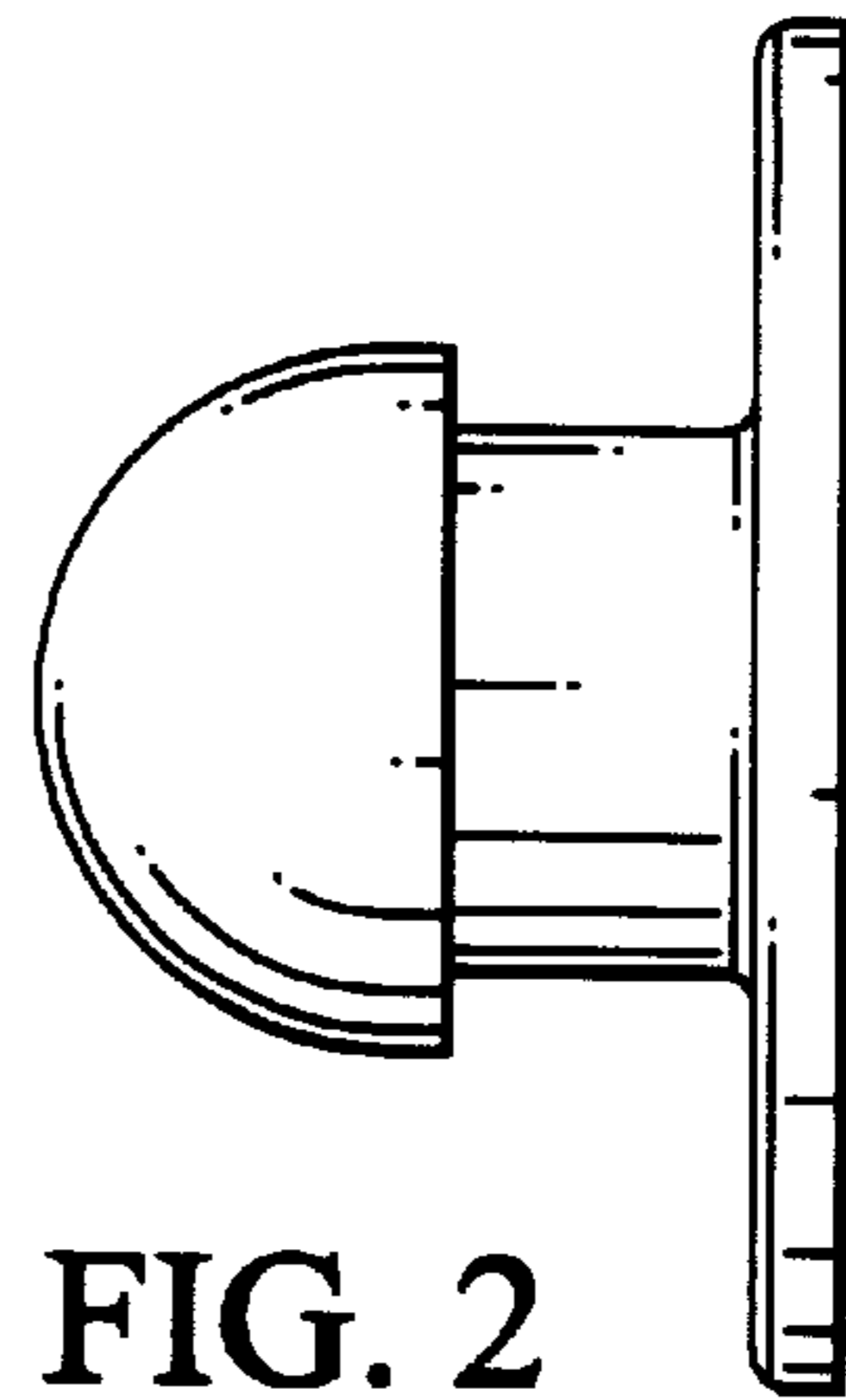


FIG. 2

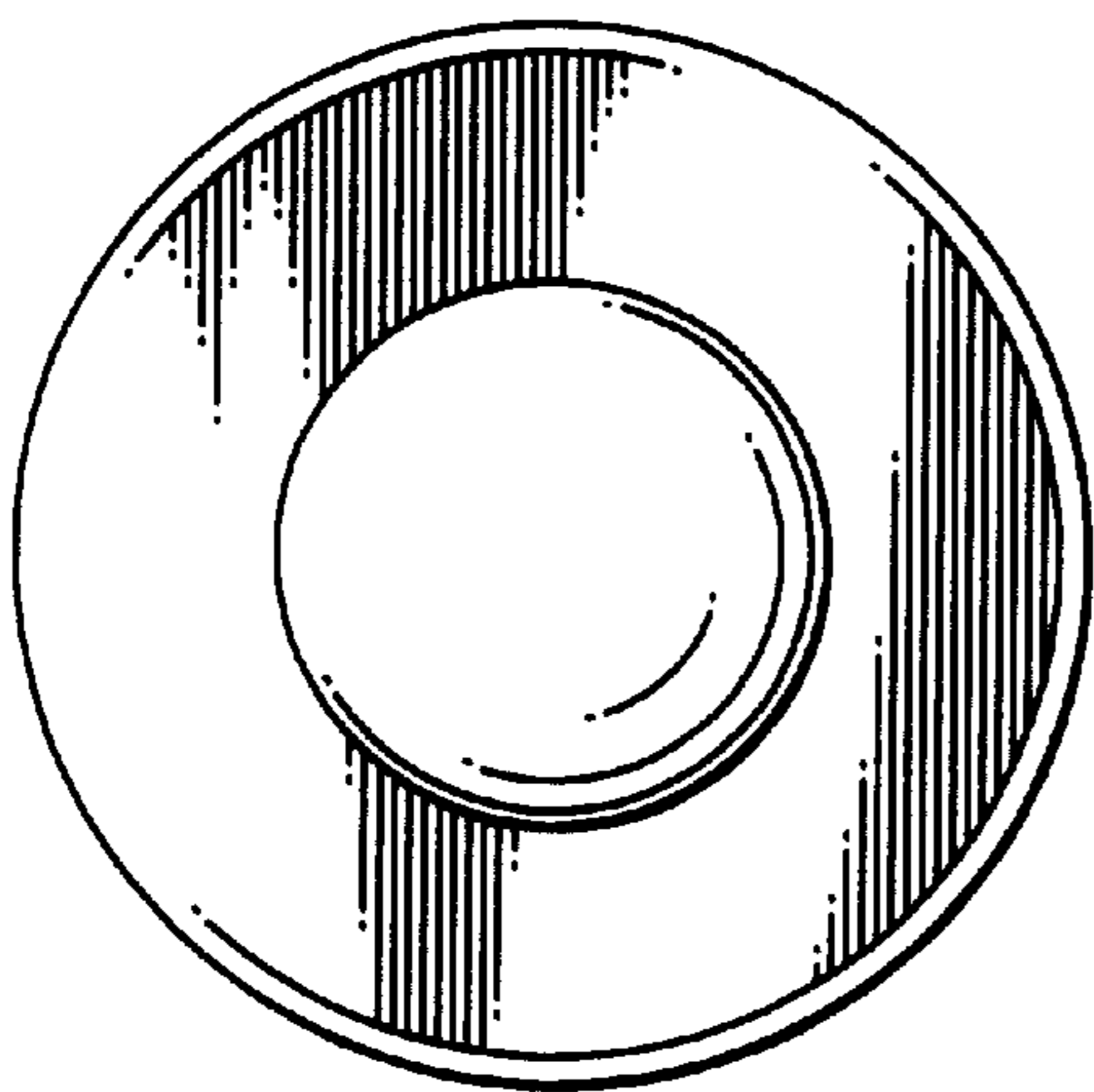


FIG. 3

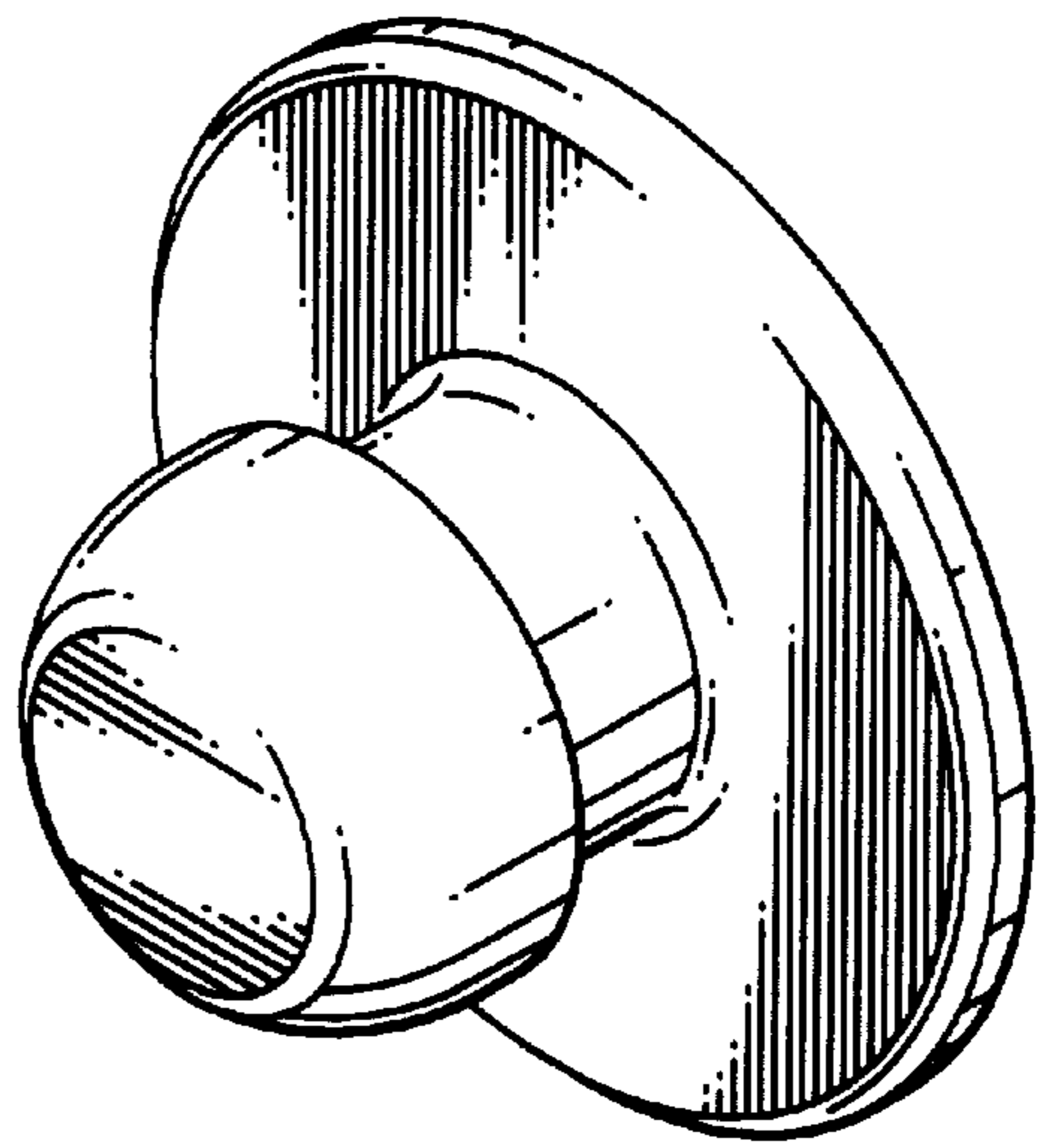


FIG. 4

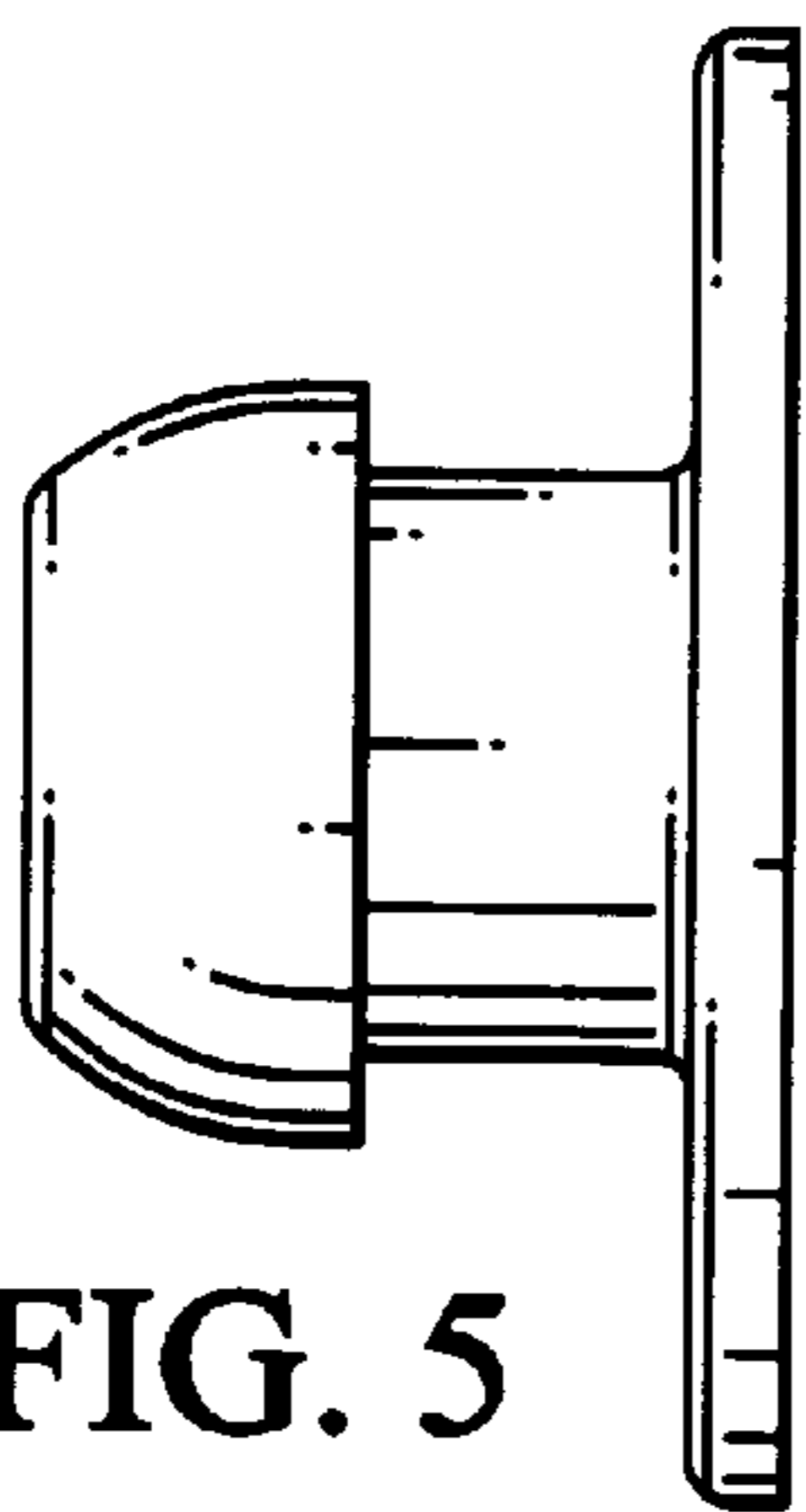


FIG. 5

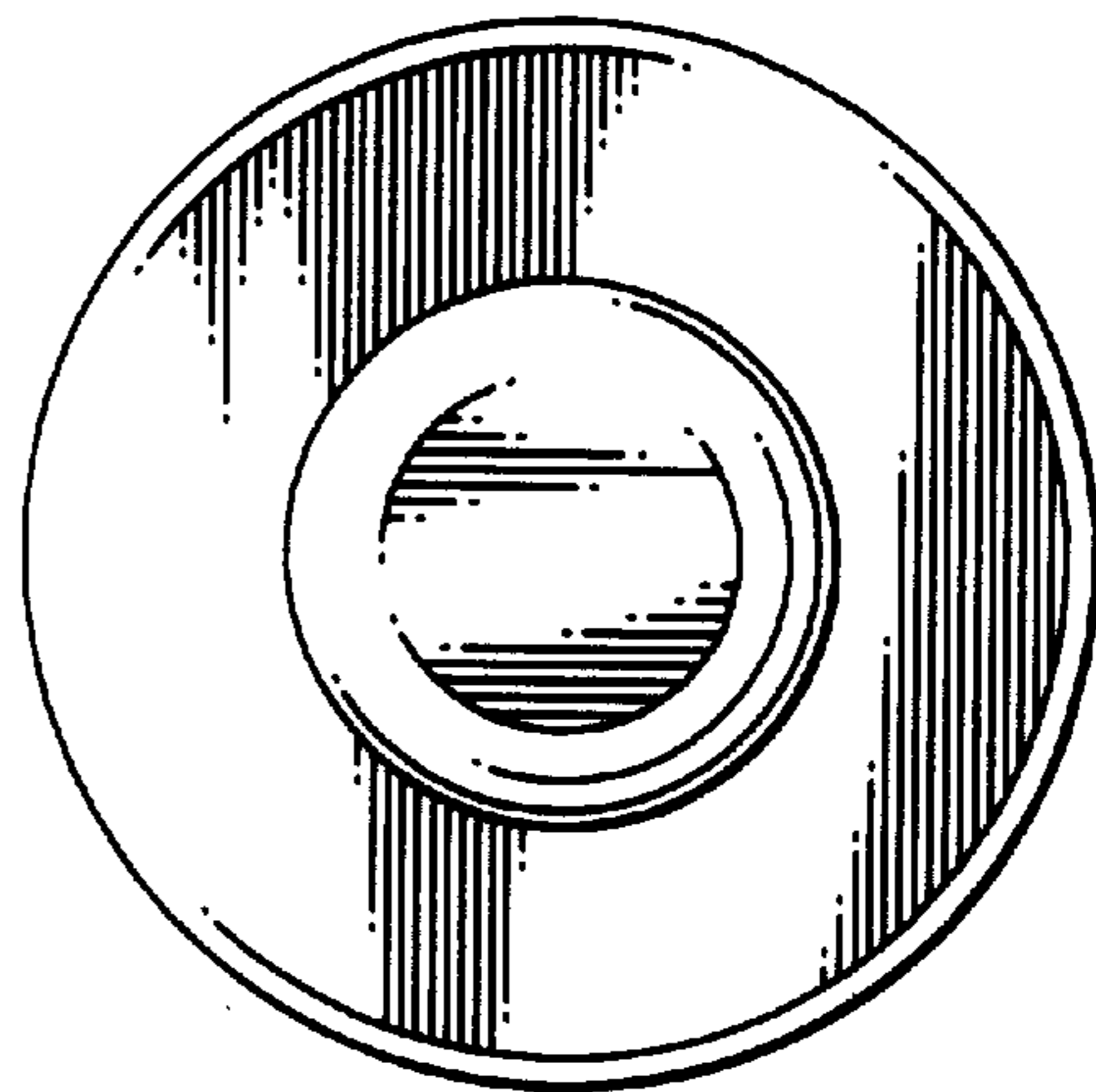


FIG. 6