



US00D462400S

(12) **United States Design Patent**
Kim

(10) **Patent No.:** **US D462,400 S**

(45) **Date of Patent:** **** Sep. 3, 2002**

(54) **POGO STICK**

(75) Inventor: **Charles Dunn Kim**, Great Neck, NY
(US)

(73) Assignee: **Royce Union Bicycle Co.**, Hauppauge,
NY (US)

(**) Term: **14 Years**

(21) Appl. No.: **29/146,730**

(22) Filed: **Aug. 15, 2001**

(51) **LOC (7) Cl.** **21-01**

(52) **U.S. Cl.** **D21/413**

(58) **Field of Search** D21/413; 482/77

(56) **References Cited**

U.S. PATENT DOCUMENTS

2,783,997 A *	3/1957	Gaffney et al.	482/77
2,793,036 A	5/1957	Hansburg	
2,871,016 A *	1/1959	Rapaport	482/77
2,995,377 A	8/1961	Miihlroth	
3,298,686 A	1/1967	Hansburg	
D215,552 S	10/1969	Rieth	
3,731,920 A	5/1973	Matsuda	

D263,485 S	3/1982	Rudell et al.	
4,390,178 A	6/1983	Rudell et al.	
D316,280 S *	4/1991	White	D21/413
6,168,555 B1	1/2001	Fetterleigh et al.	

* cited by examiner

Primary Examiner—Dominic Simone

(74) *Attorney, Agent, or Firm*—Dinsmore & Shohl LLP

(57) **CLAIM**

The ornamental design for a pogo stick, as shown and described.

DESCRIPTION

FIG. 1 is a perspective view of a pogo stick embodying my inventive design;

FIG. 2 is a front elevational view thereof;

FIG. 3 is a left side elevational view thereof;

FIG. 4 is a right side elevational view thereof;

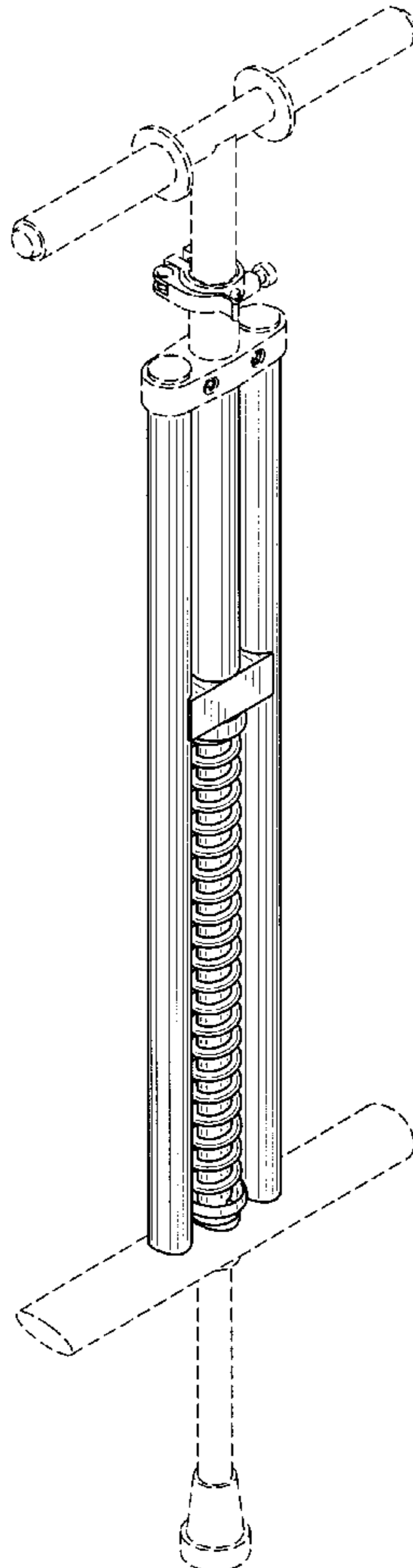
FIG. 5 is a top plan view thereof;

FIG. 6 is a bottom plan view thereof; and,

FIG. 7 is a rear elevational view thereof.

The broken lines shown in the figures are for illustrative purposes only and form no part of the claimed design.

1 Claim, 5 Drawing Sheets



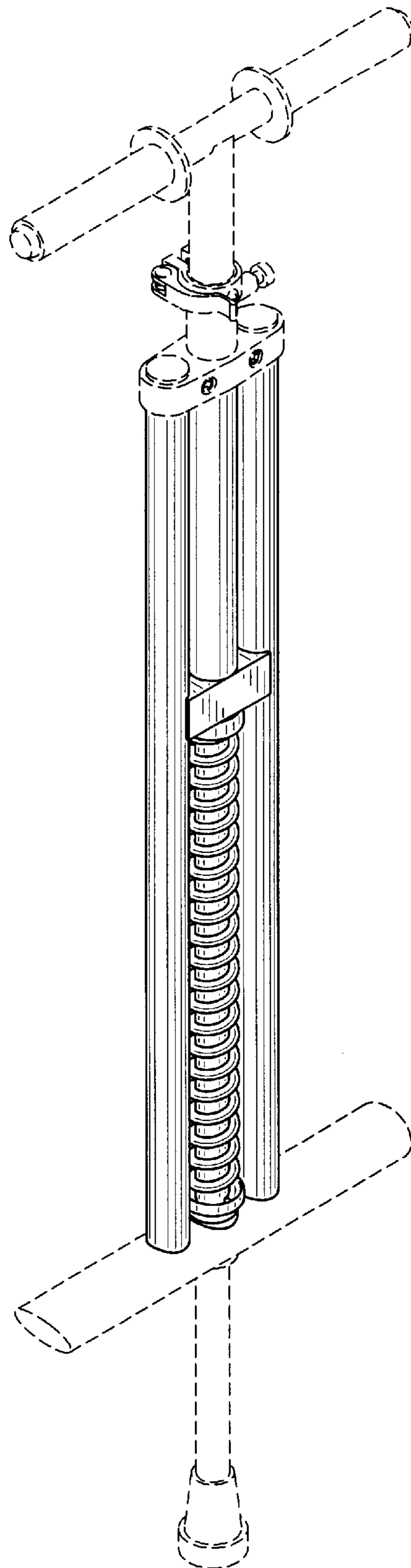


FIG. 1

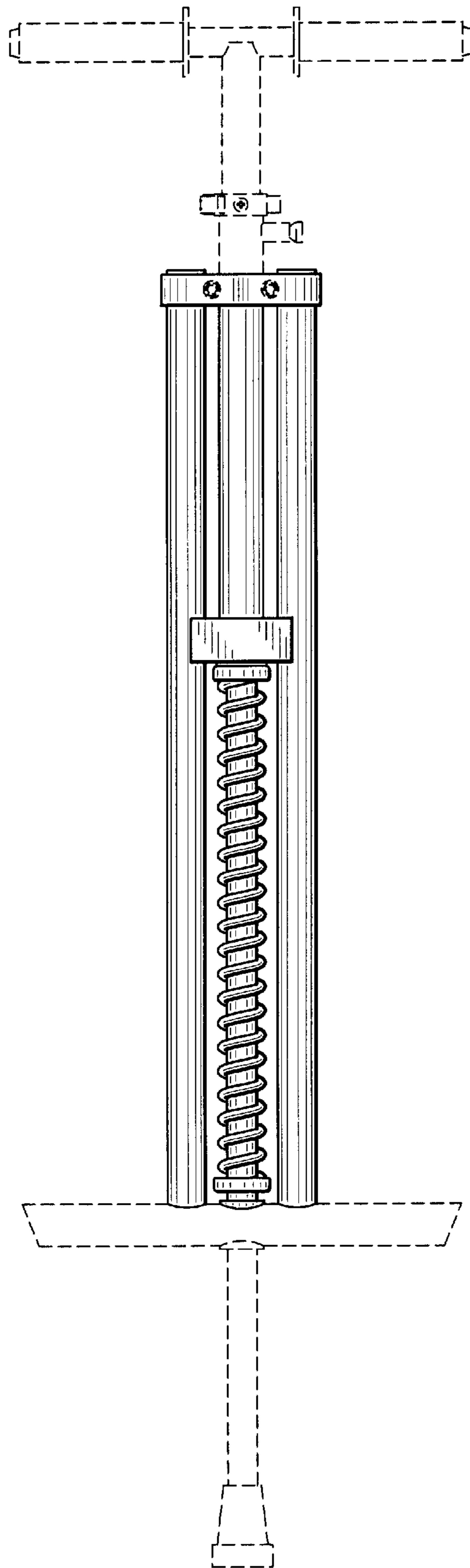


FIG. 2

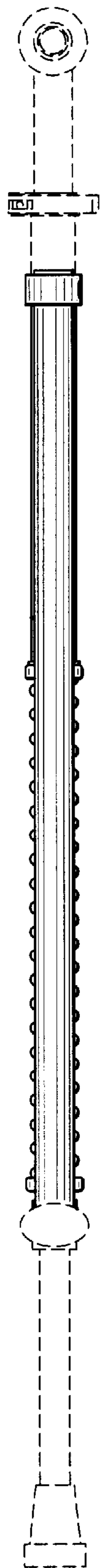


FIG. 3

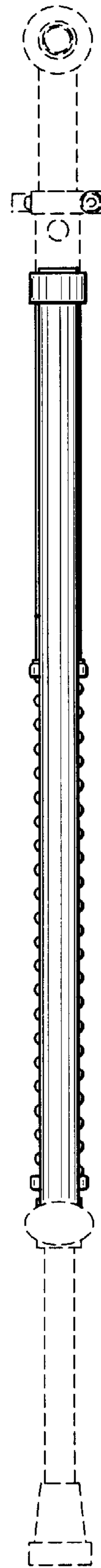


FIG. 4

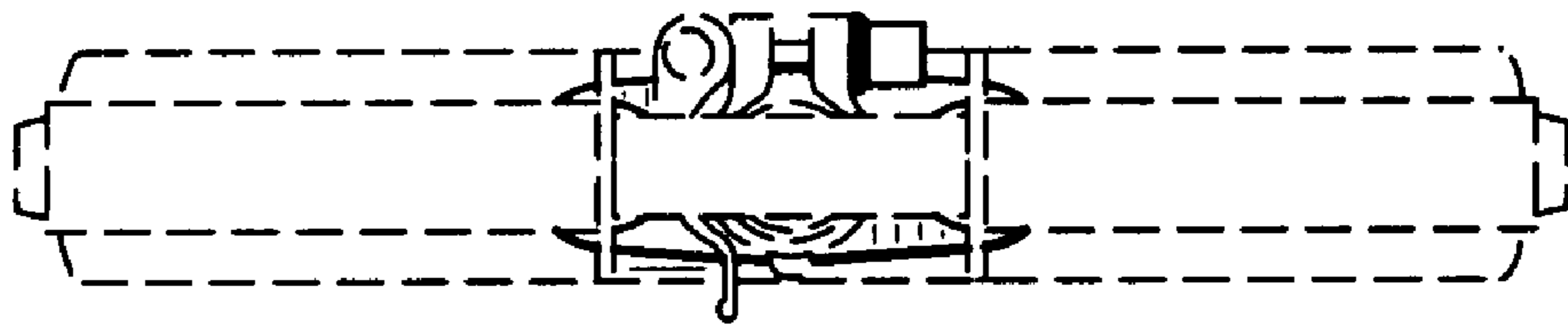


FIG. 5

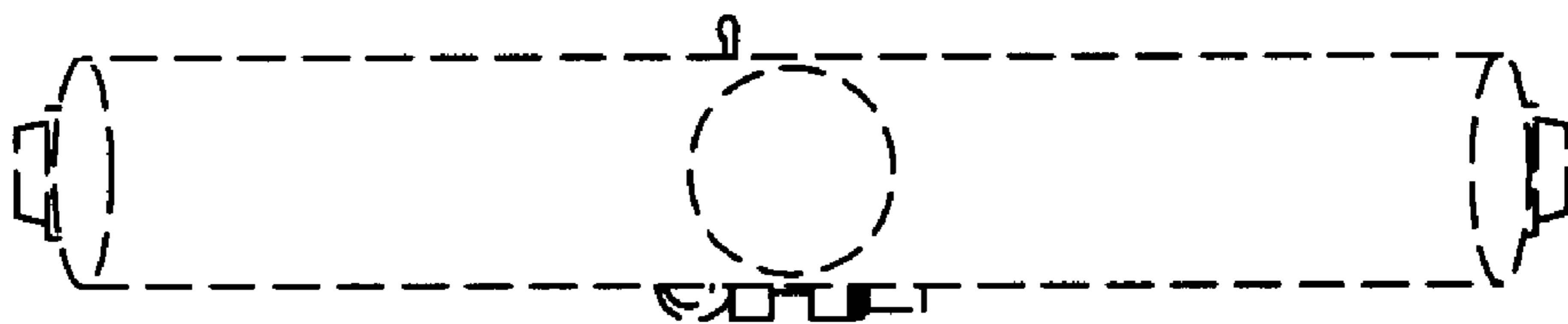


FIG. 6

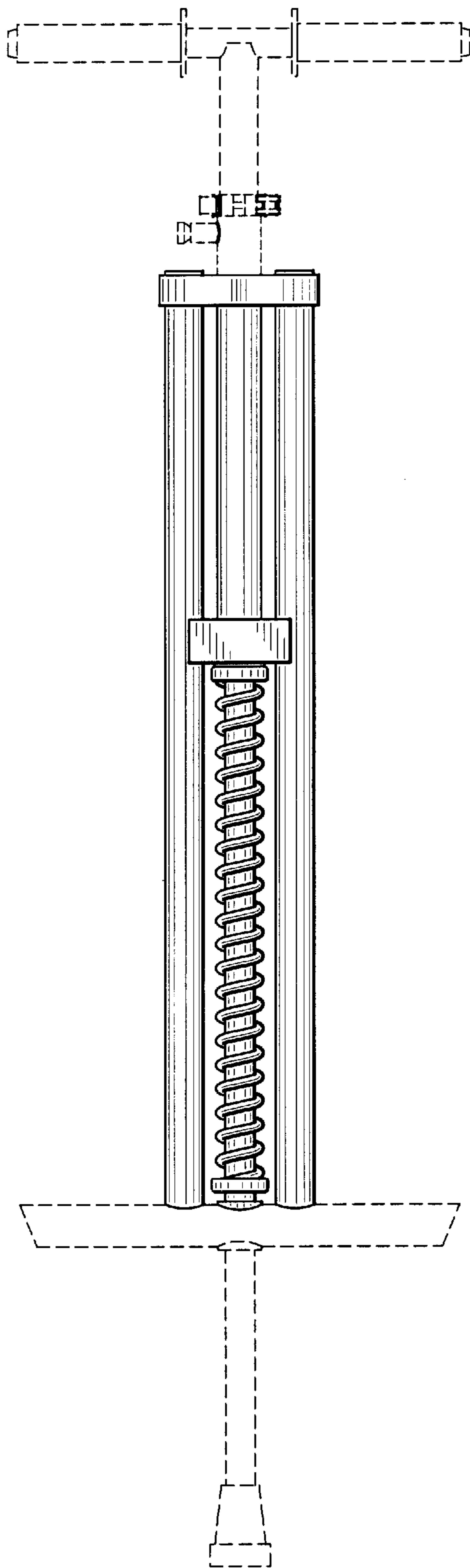


FIG. 7