



US00D462395S

(12) **United States Design Patent**
Hussaini et al.

(10) **Patent No.: US D462,395 S**

(45) **Date of Patent: ** Sep. 3, 2002**

(54) **VIDEO GAME ACCESSORY**

D448,426 S * 9/2001 Yu D21/333

(75) Inventors: **Saied Hussaini; Marc Iacovelli**, both
of Miami, FL (US)

* cited by examiner

Primary Examiner—Prabhakar Deshmukh

(73) Assignee: **Intec, Inc.**, Miami, FL (US)

(74) *Attorney, Agent, or Firm*—Liniak, Berenato, Longacre
& White

(**) Term: **14 Years**

(57) **CLAIM**

(21) Appl. No.: **29/148,452**

The ornamental design for a video game accessory, as shown
and described.

(22) Filed: **Sep. 21, 2001**

DESCRIPTION

(51) **LOC (7) Cl.** **21-01**

(52) **U.S. Cl.** **D21/333**

(58) **Field of Search** D21/324–333,
D21/369, 385; D3/218; 273/148 A, 148 B,
108, 118 R, 123 R, 454; 463/46, 47, 1,
16–22, 49; 345/905, 156; D26/24, 26, 51,
52, 72; 362/109, 97, 98, 101, 21, 217

FIG. 1 is a Front View of the video game accessory
according to the present invention.

FIG. 2 is a Rear view of the video game accessory of FIG.
1.

FIG. 3 is a left side view of the video game accessory of FIG.
1.

FIG. 4 is a right side view of the video game accessory of
FIG. 1.

FIG. 5 is a top view of the video game accessory of FIG. 1.

FIG. 6 is a bottom view of the video game accessory of FIG.
1.

FIG. 7 is a front elevational perspective view of the video
game accessory of FIG. 1; and,

FIG. 8 is a front elevational perspective view of the video
game accessory of FIG. 1 in an alternate configuration.

(56) **References Cited**

U.S. PATENT DOCUMENTS

4,893,222 A	*	1/1990	Mintzer	362/109
5,163,748 A	*	11/1992	Messinger	362/98
5,188,448 A	*	2/1993	Siriani et al.	362/109
5,263,209 A	*	11/1993	Pattee	362/101
D416,948 S	*	11/1999	Soga	D21/333
D426,860 S	*	6/2000	Ho	D21/333
D439,353 S	*	3/2001	Neiser	D21/333

1 Claim, 4 Drawing Sheets

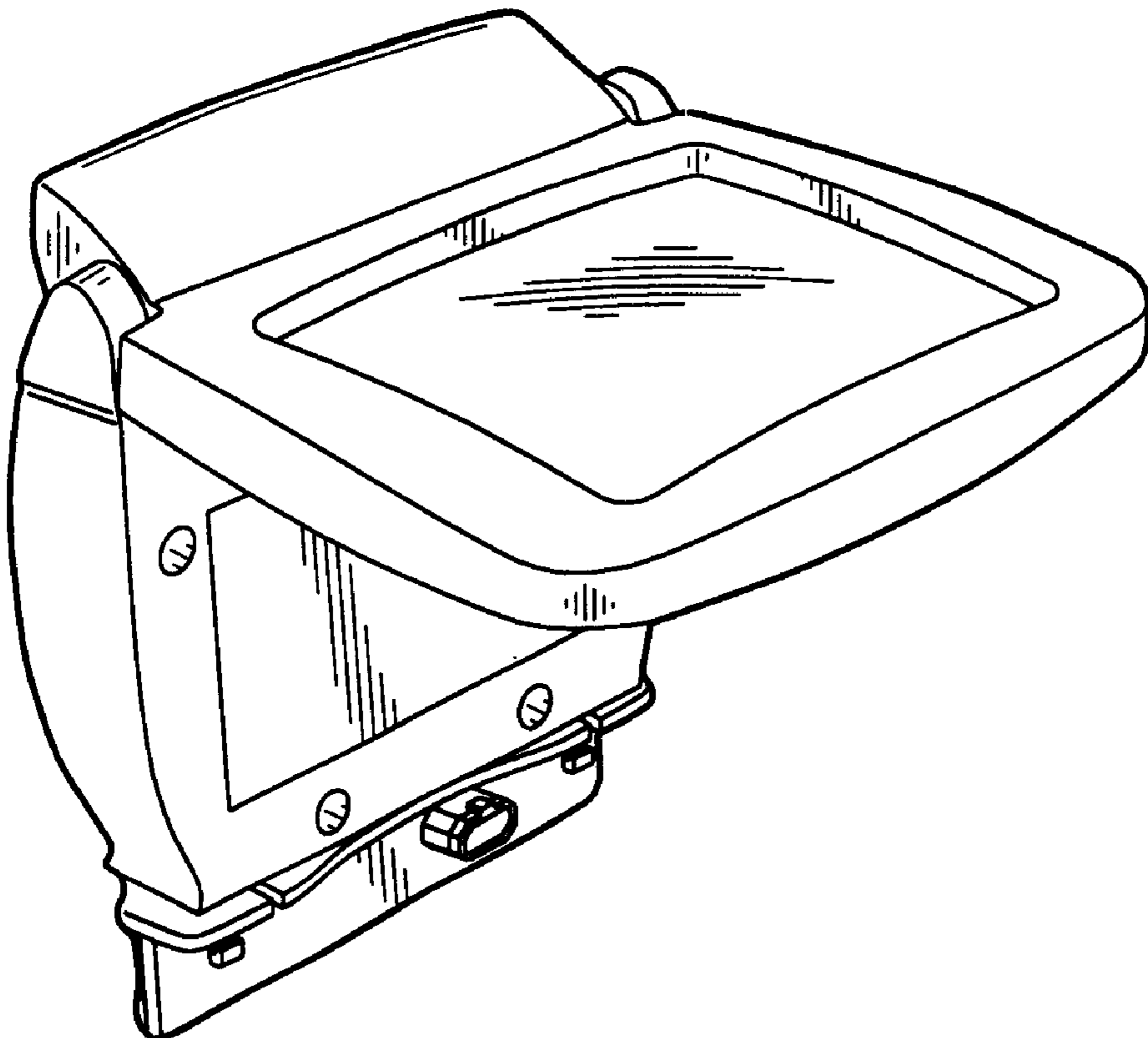


Fig. 1

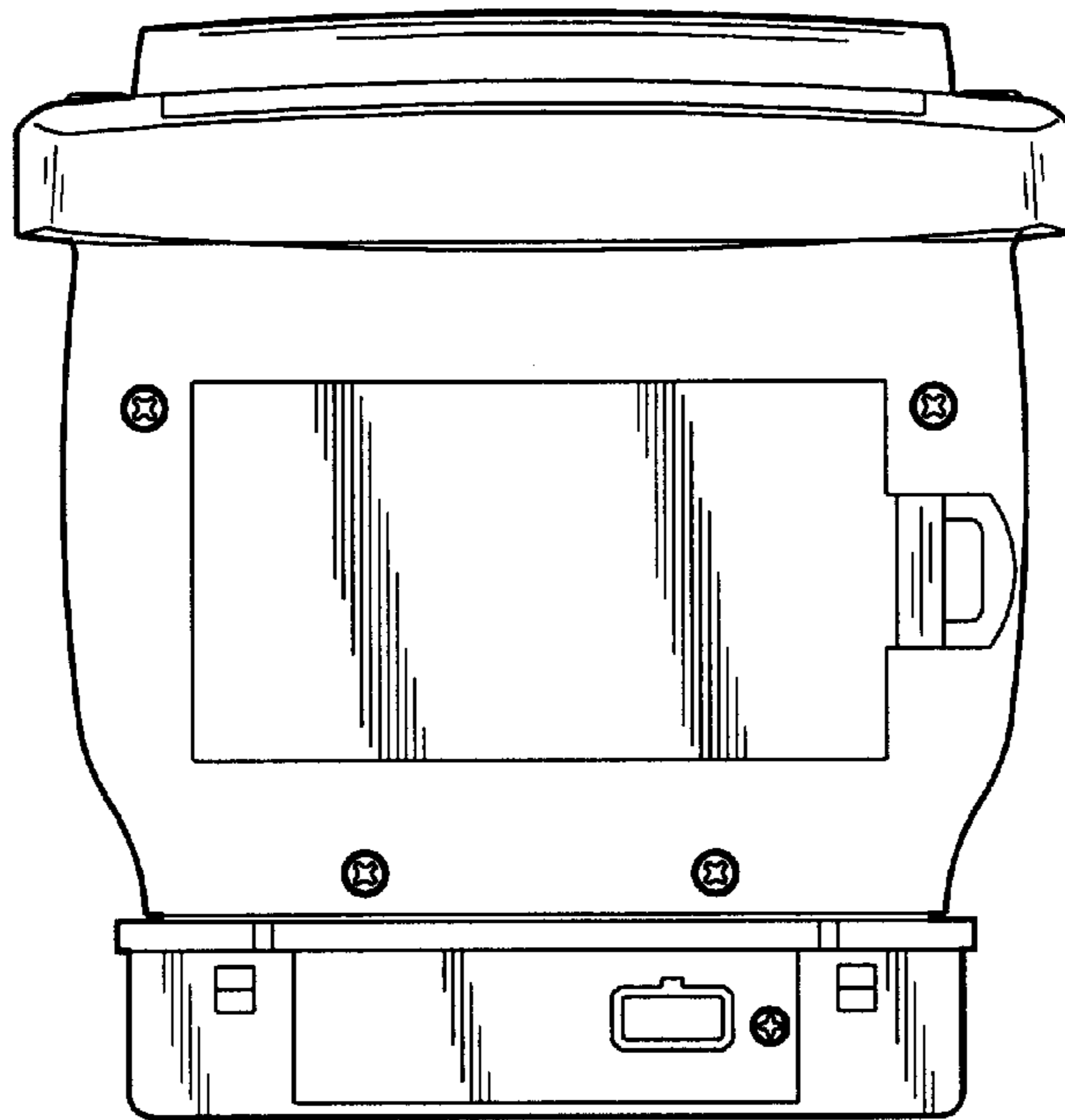


Fig. 2

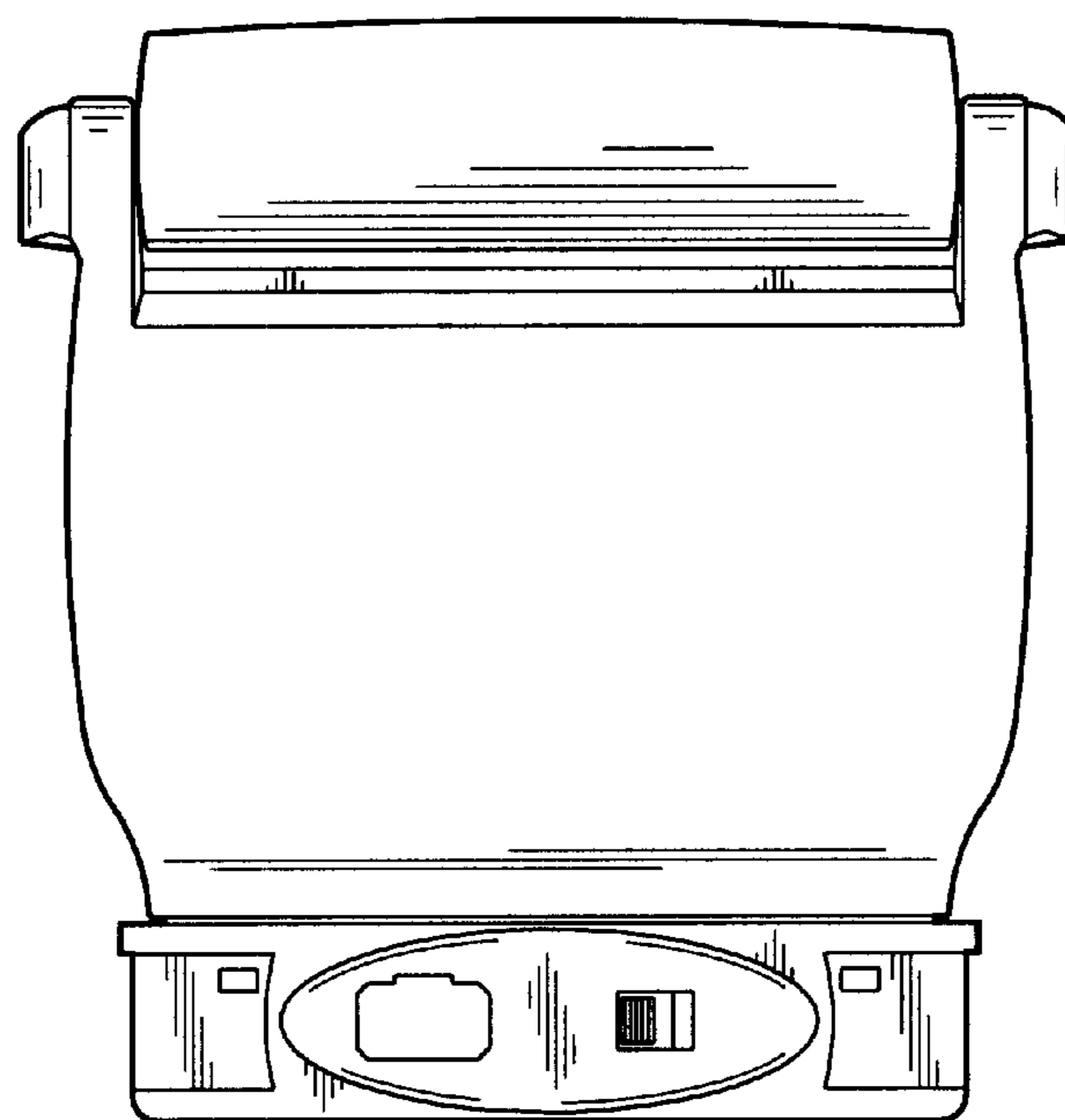


Fig. 3

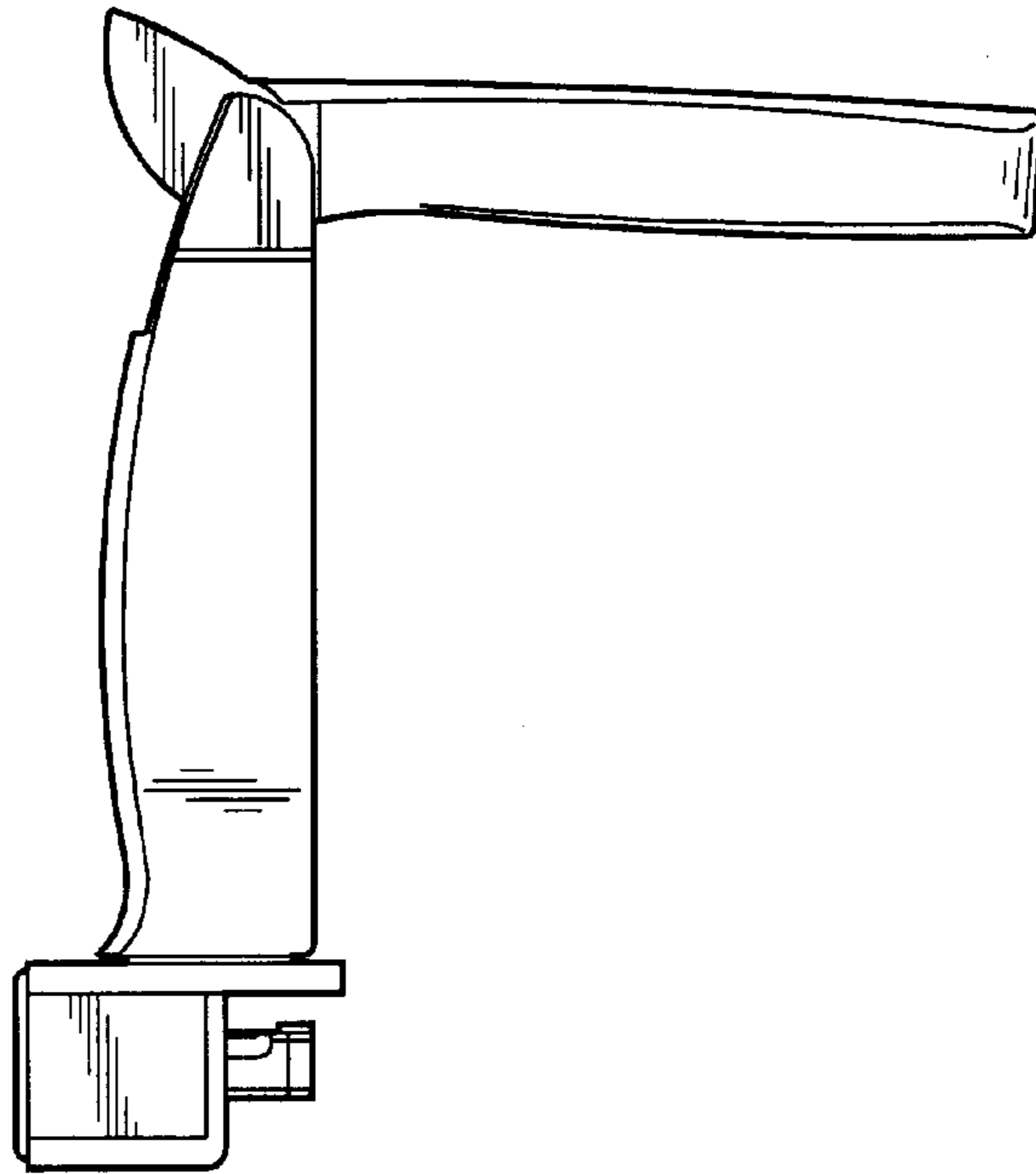


Fig. 4

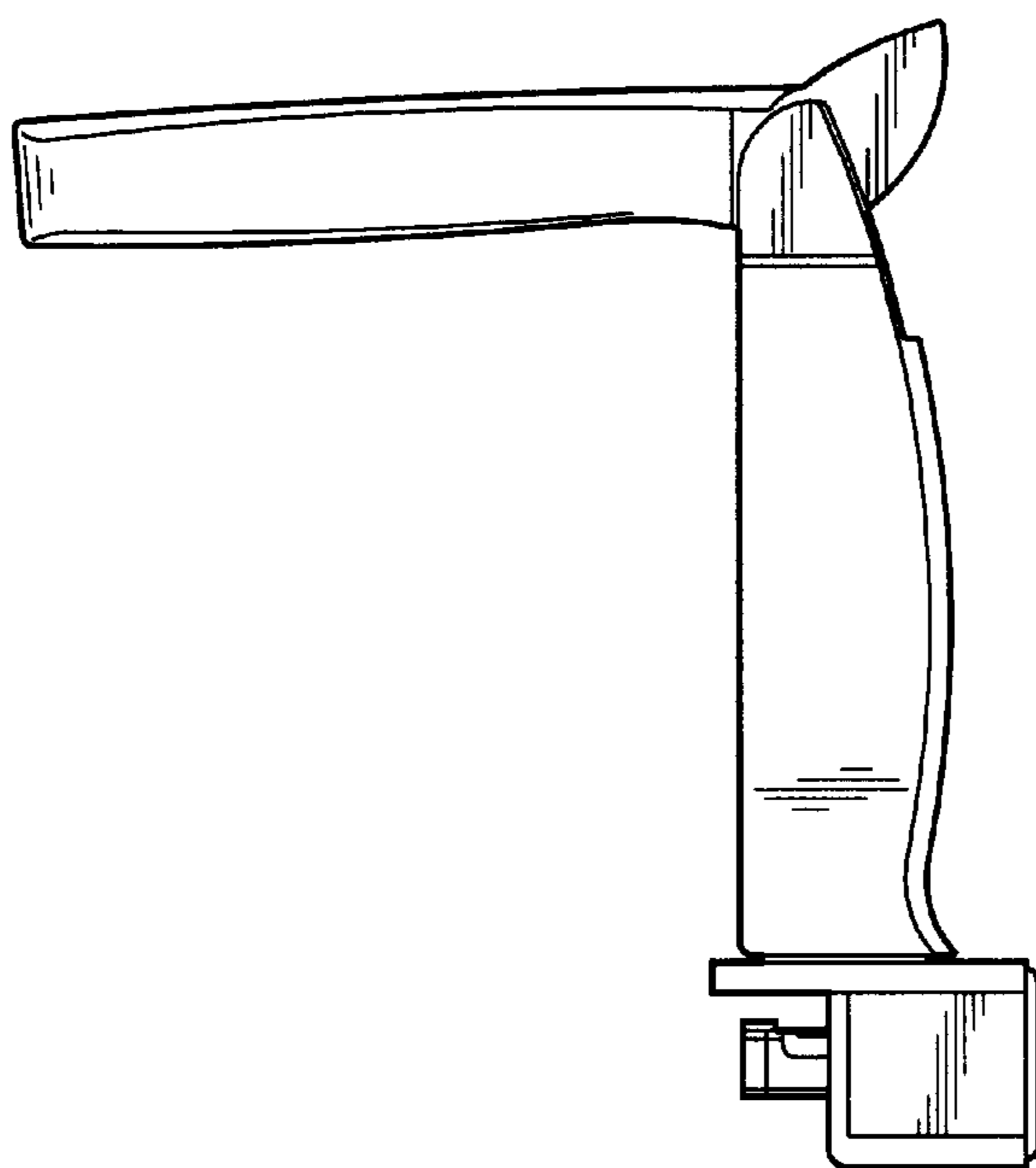


Fig. 5

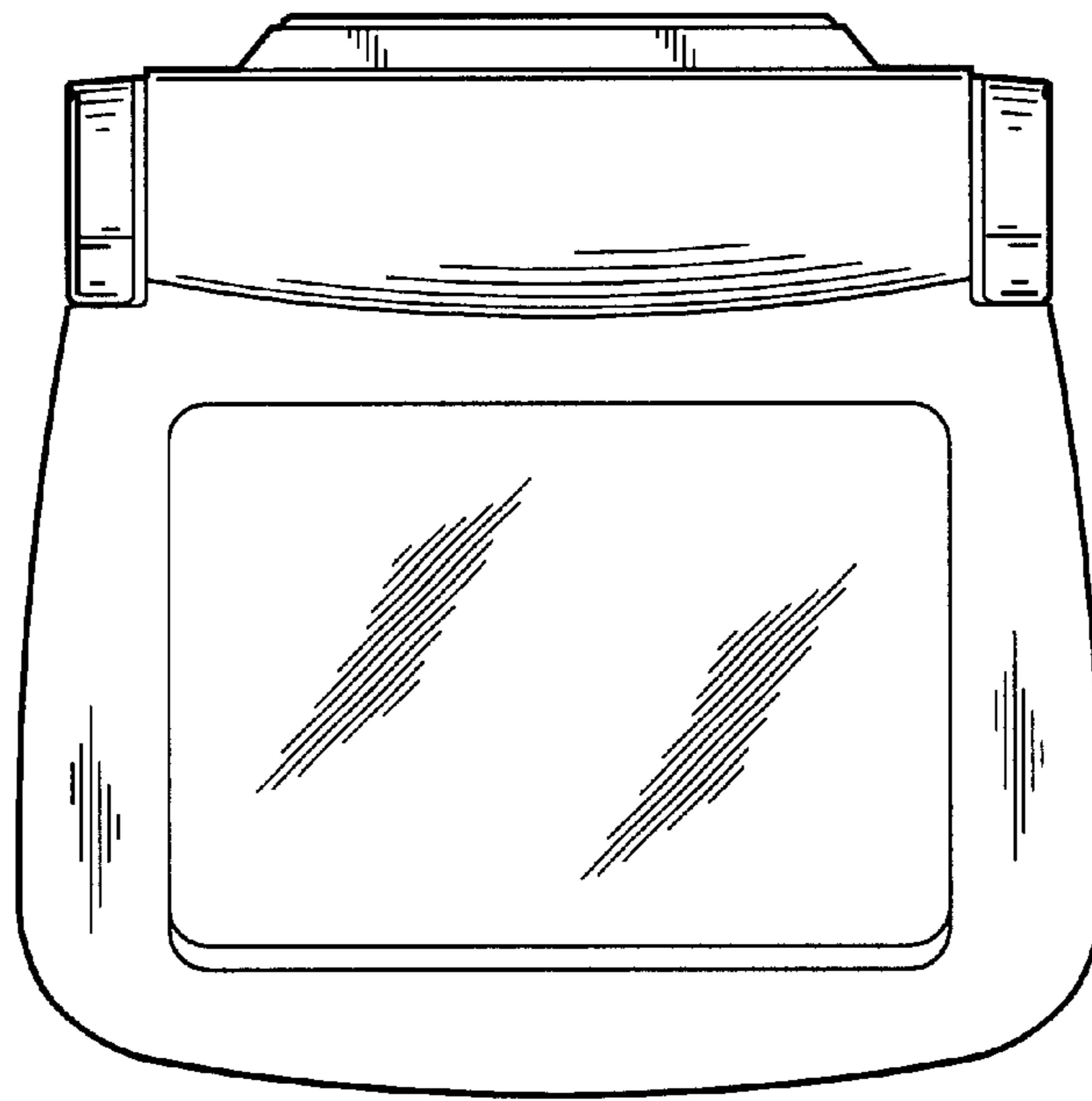


Fig. 6

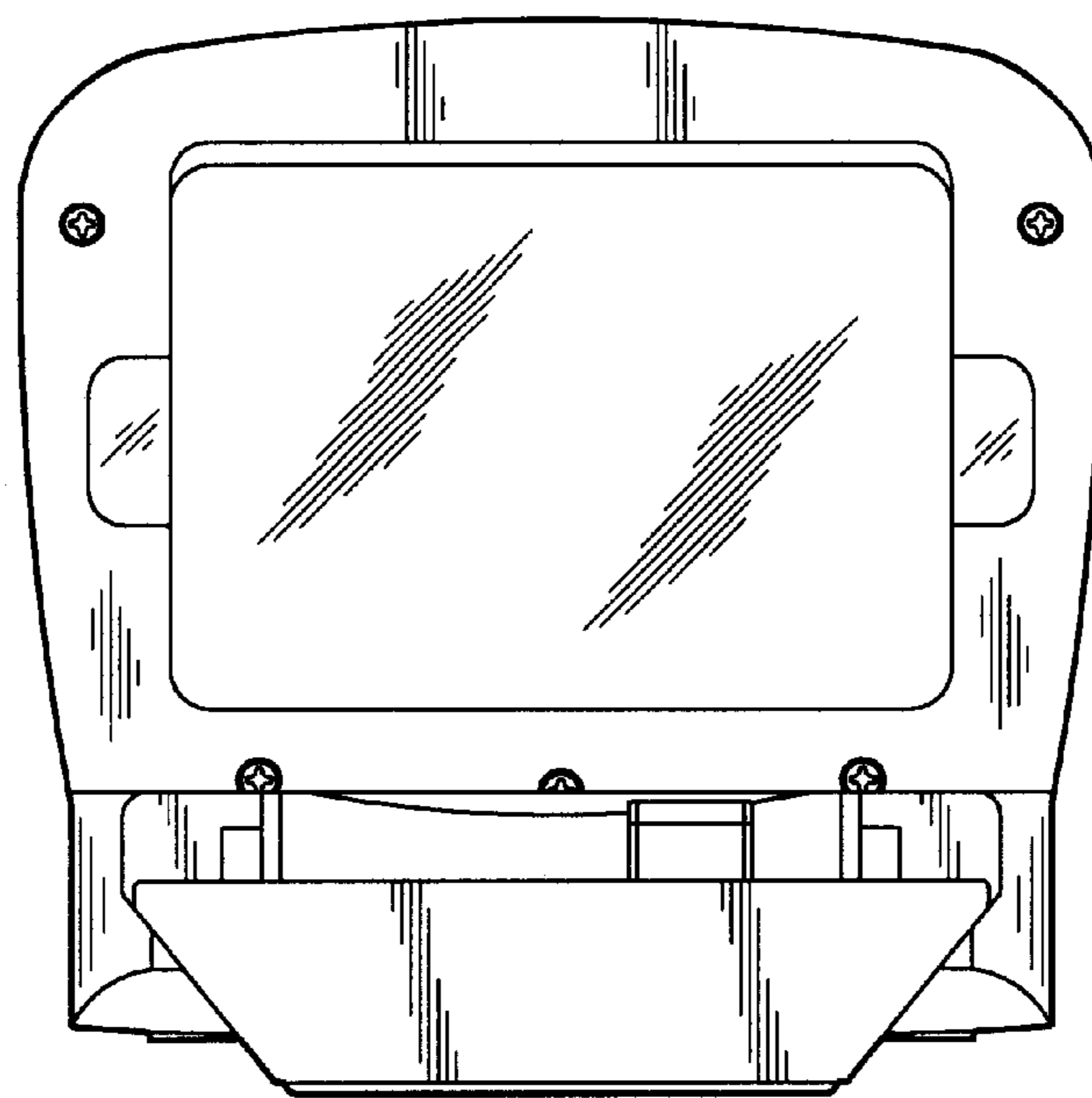


Fig. 7

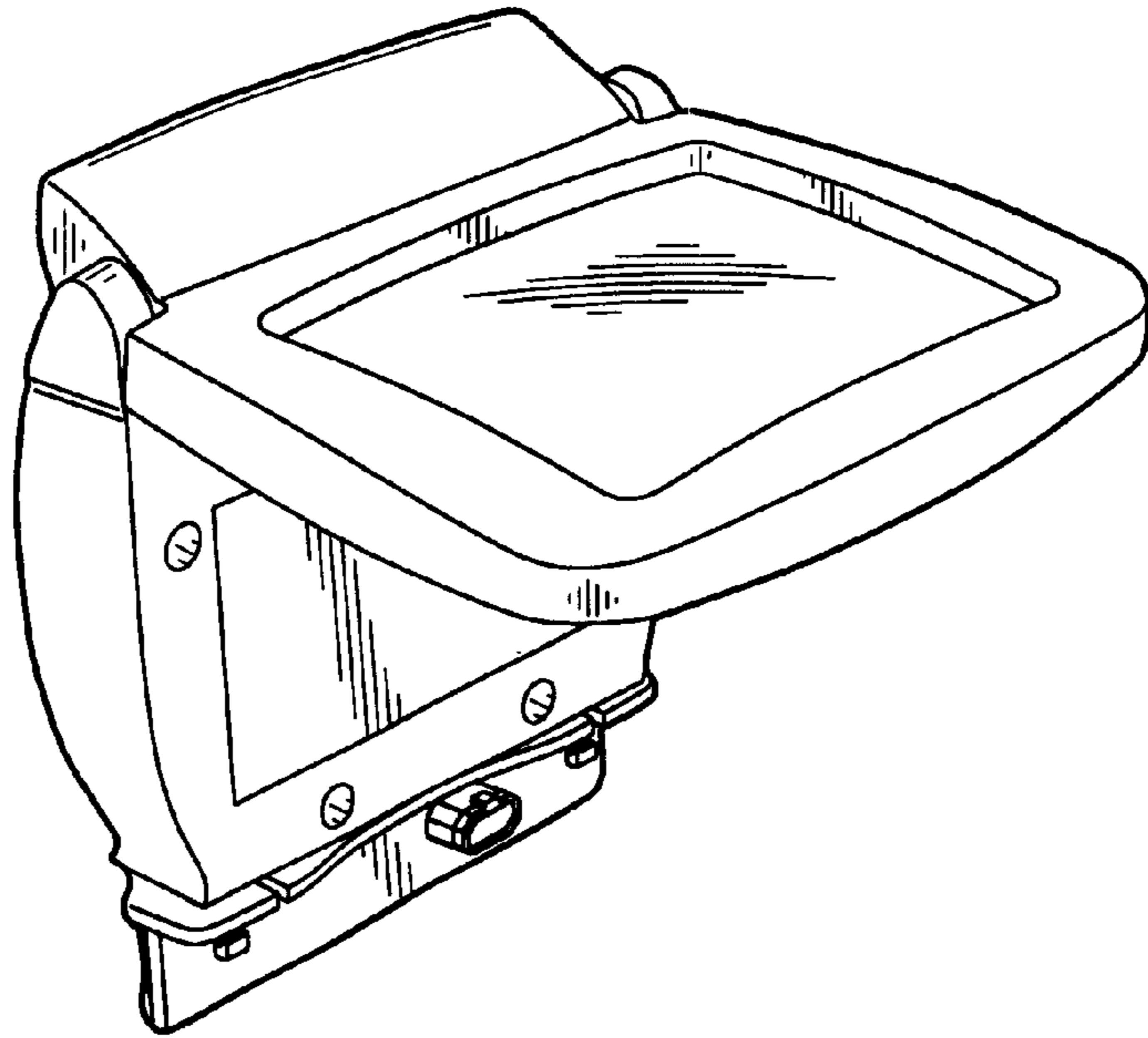


Fig. 8

