



US00D462388S

(12) **United States Design Patent**
Fiori et al.

(10) **Patent No.:** **US D462,388 S**

(45) **Date of Patent:** **** Sep. 3, 2002**

(54) **WRITING INSTRUMENT**

(75) Inventors: **Timothy J. Fiori**, Albany; **Steven A. Singer**, Galway, both of NY (US)

(73) Assignee: **Holland USA, Inc.**, North Mankato, MN (US)

(**) Term: **14 Years**

(21) Appl. No.: **29/145,123**

(22) Filed: **Jul. 16, 2001**

(51) **LOC (7) Cl.** **19-06**

(52) **U.S. Cl.** **D19/51; D19/46**

(58) **Field of Search** D19/35, 36, 41-51, D19/53-58, 81-85; 401/99, 100, 103-106, 107-110, 111-117, 209, 17, 31, 82

(56) **References Cited**

U.S. PATENT DOCUMENTS

144,337 A * 11/1873 Illfelder D19/41 X
D70,575 S * 7/1926 Parker D19/46

2,400,679 A * 5/1946 Biro 401/106
2,926,630 A * 3/1960 Csaby 401/17
D258,454 S * 3/1981 Echevarria et al. D19/42
D444,171 S * 6/2001 McCullough D19/46 X

* cited by examiner

Primary Examiner—Martie K. Holtje

(74) *Attorney, Agent, or Firm*—Gray, Plant, Mooty, Mooty & Bennett, P.A.

(57) **CLAIM**

We claim the ornamental design for a writing instrument, as shown and described.

DESCRIPTION

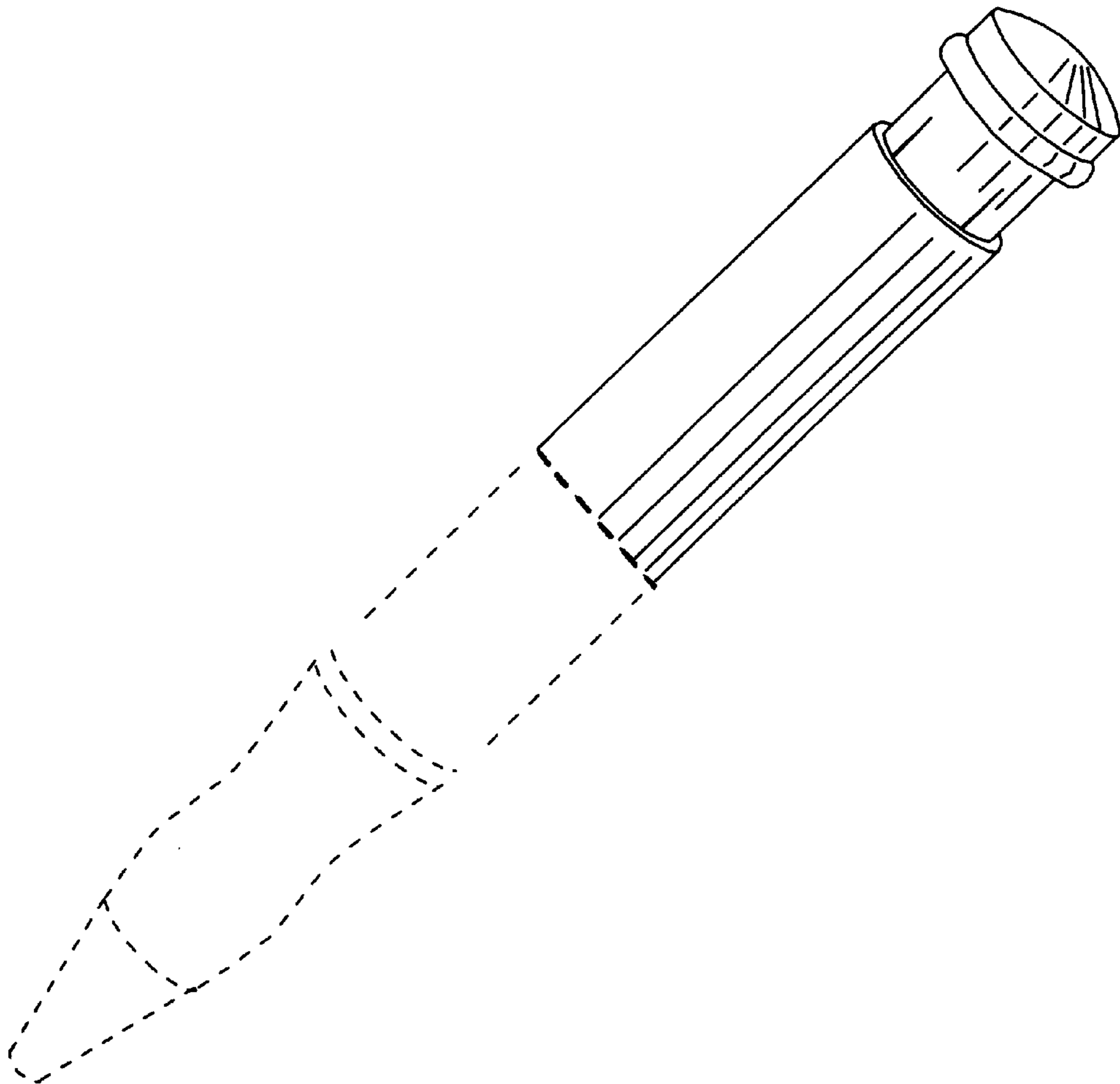
FIG. 1 is a perspective view of a writing instrument showing our new design;

FIG. 2 is a top end view; and,

FIG. 3 is a typical side view thereof.

Portions of the writing instrument shown in dashed lines are for illustrative purposes only, and form no part of the claimed design.

1 Claim, 1 Drawing Sheet



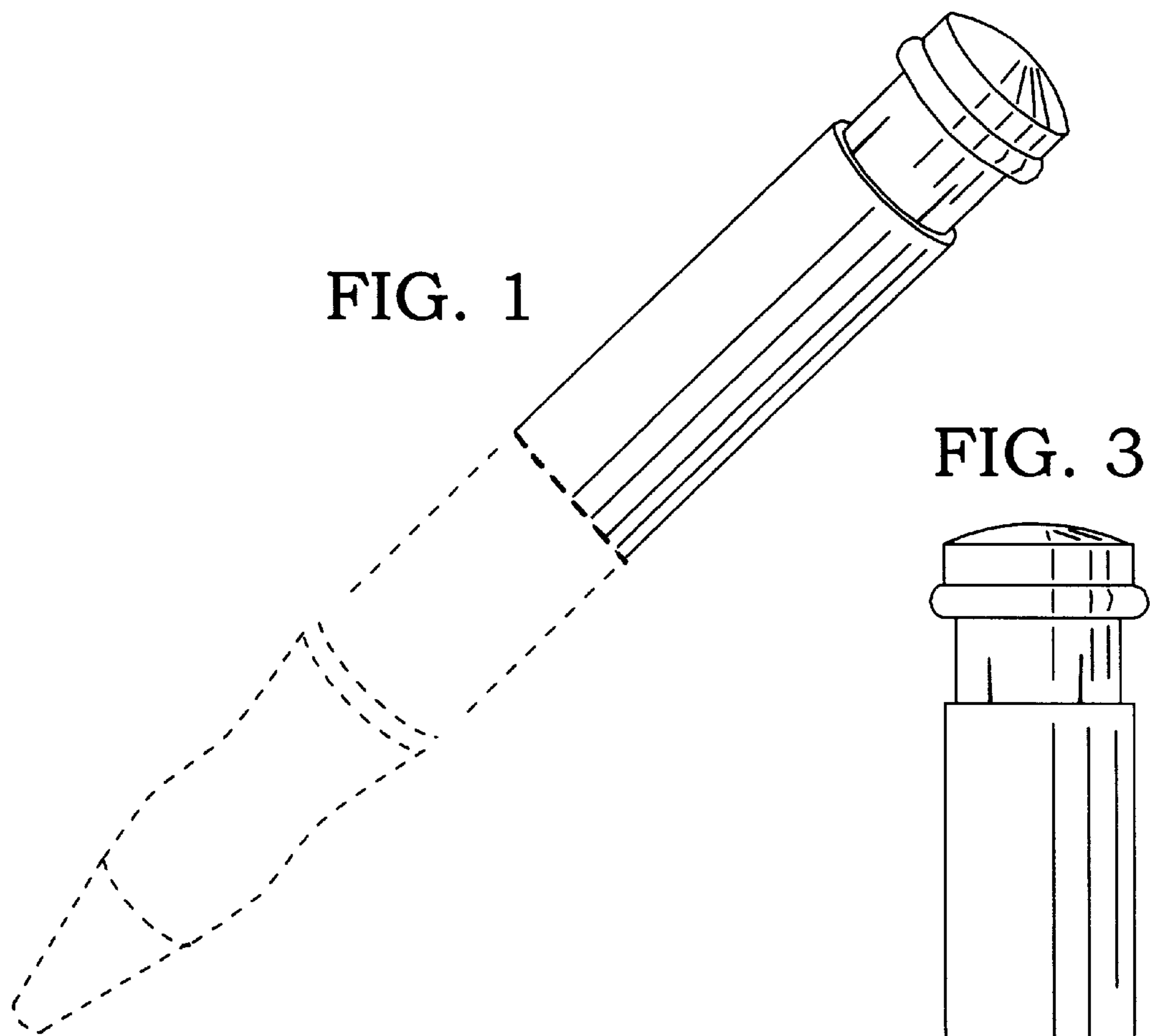


FIG. 3

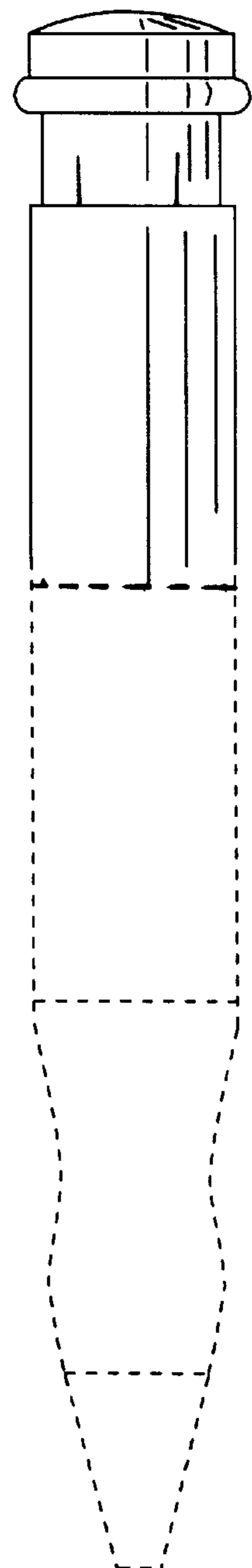


FIG. 2

