



US00D462384S

(12) **United States Design Patent**  
**Sasaki et al.**

(10) **Patent No.:** **US D462,384 S**

(45) **Date of Patent:** **\*\* Sep. 3, 2002**

(54) **INK CARTRIDGE**

(75) Inventors: **Toyonori Sasaki**, Anjyo; **Atsushi Murakami**, Nagoya; **Mitsuharu Hattori**, Nagoya; **Masatoshi Yoshiyama**, Nagoya, all of (JP)

(73) Assignee: **Brother Industries, Ltd.**, Nagoya (JP)

(\*\*) Term: **14 Years**

(21) Appl. No.: **29/151,258**

(22) Filed: **Dec. 6, 2001**

(30) **Foreign Application Priority Data**

Jun. 7, 2001 (JP) ..... 2001-016598  
Jun. 7, 2001 (JP) ..... 2001-016599

(51) **LOC (7) Cl.** ..... **18-02**

(52) **U.S. Cl.** ..... **D18/56; 347/86**

(58) **Field of Search** ..... **D18/56, 43; 347/86, 347/87**

(56) **References Cited**

**U.S. PATENT DOCUMENTS**

D373,138 S \* 8/1996 Tokuda et al. .... D18/56  
D373,381 S \* 9/1996 Altendorf et al. .... D18/56  
D375,523 S \* 11/1996 Murray ..... D18/56  
D400,574 S \* 11/1998 Inoue et al. .... D18/56  
5,984,465 A \* 11/1999 Yun ..... 347/87  
D421,270 S 2/2000 Yamaguchi  
D423,564 S \* 4/2000 Canfield et al. .... D18/56

D425,932 S \* 5/2000 Shimizu et al. .... D18/56  
6,264,317 B1 \* 7/2001 Raulinaitis et al. .... 347/86  
D453,184 S \* 1/2002 Ito et al. .... D18/56  
6,364,458 B2 \* 4/2002 Eckard et al. .... 347/87

\* cited by examiner

*Primary Examiner*—Cathy Anne MacCormac

(74) *Attorney, Agent, or Firm*—Oliff & Berridge, PLC

(57) **CLAIM**

The ornamental design for an ink cartridge, as shown and described.

**DESCRIPTION**

FIG. 1 is a left side view of a first embodiment of an ink cartridge;  
FIG. 2 is a right side view thereof;  
FIG. 3 is a front view thereof;  
FIG. 4 is a rear view thereof;  
FIG. 5 is a top view thereof;  
FIG. 6 is a bottom view thereof;  
FIG. 7 is a perspective view thereof;  
FIG. 8 is a left side view of a second embodiment of FIG. 1;  
FIG. 9 is a right side view of FIG. 8;  
FIG. 10 is a front view of FIG. 8;  
FIG. 11 is a rear view of FIG. 8;  
FIG. 12 is a top view of FIG. 8;  
FIG. 13 is a bottom view of FIG. 8; and,  
FIG. 14 is a perspective view of FIG. 8.

**1 Claim, 8 Drawing Sheets**

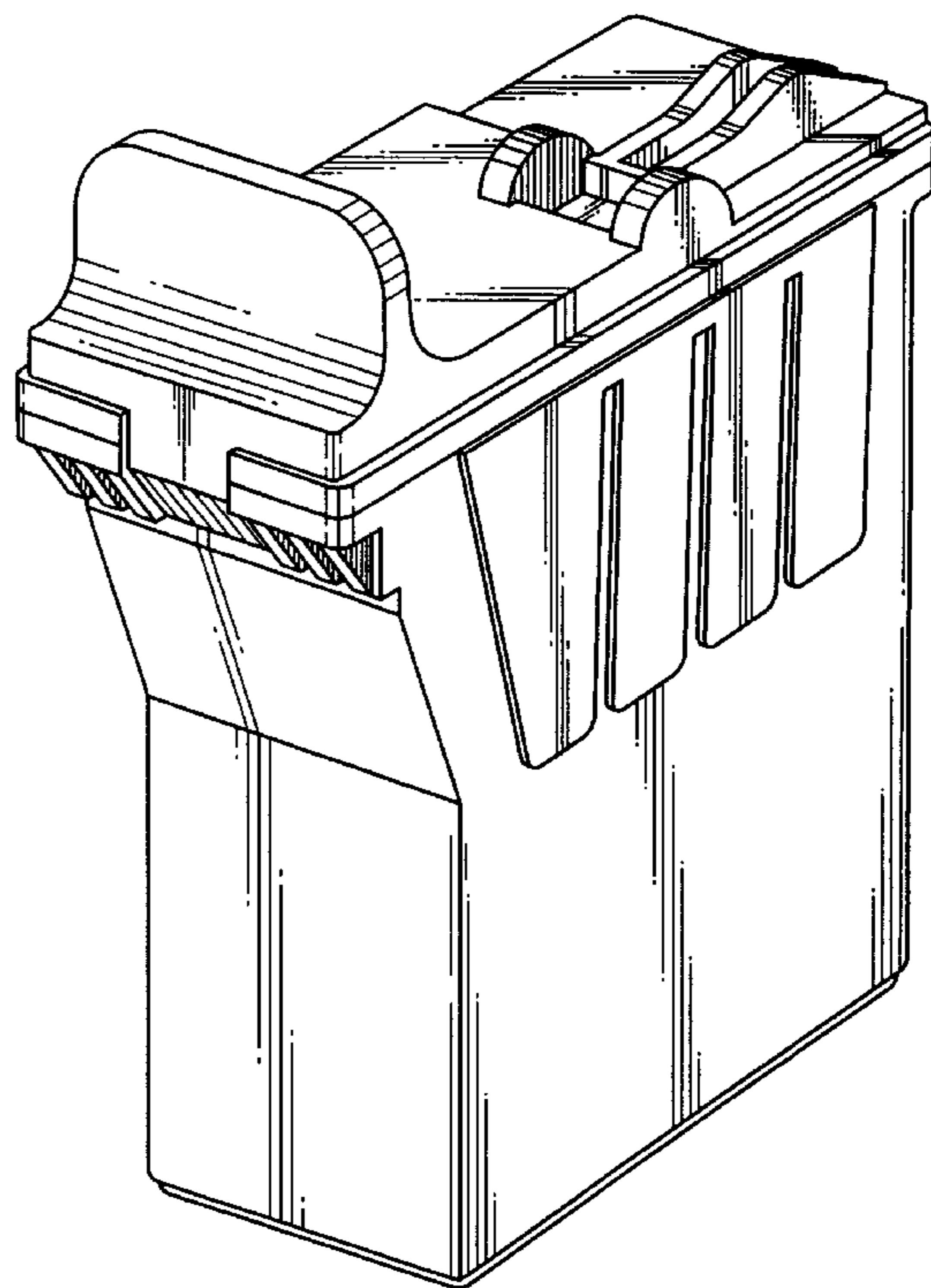
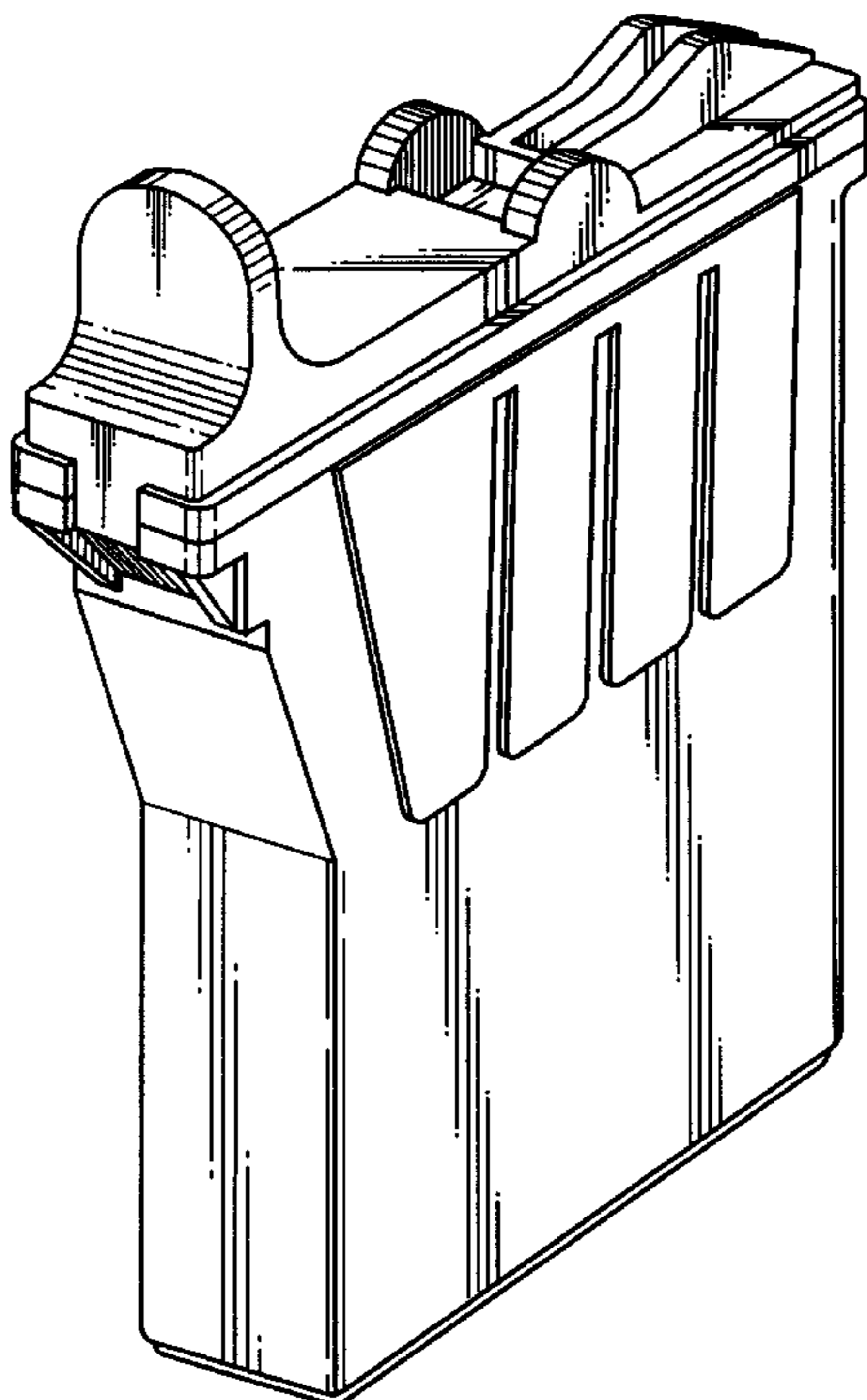


FIG. 1

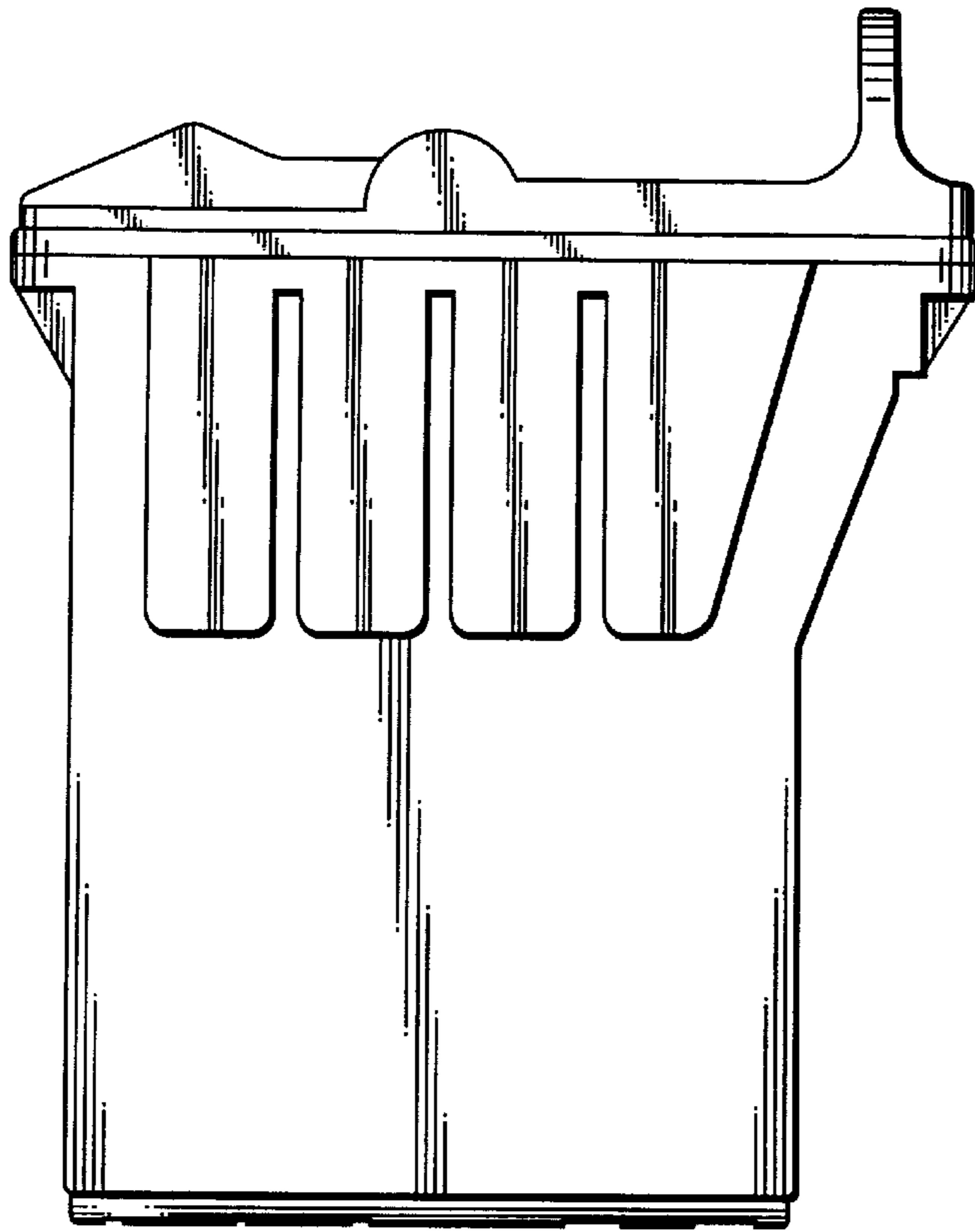
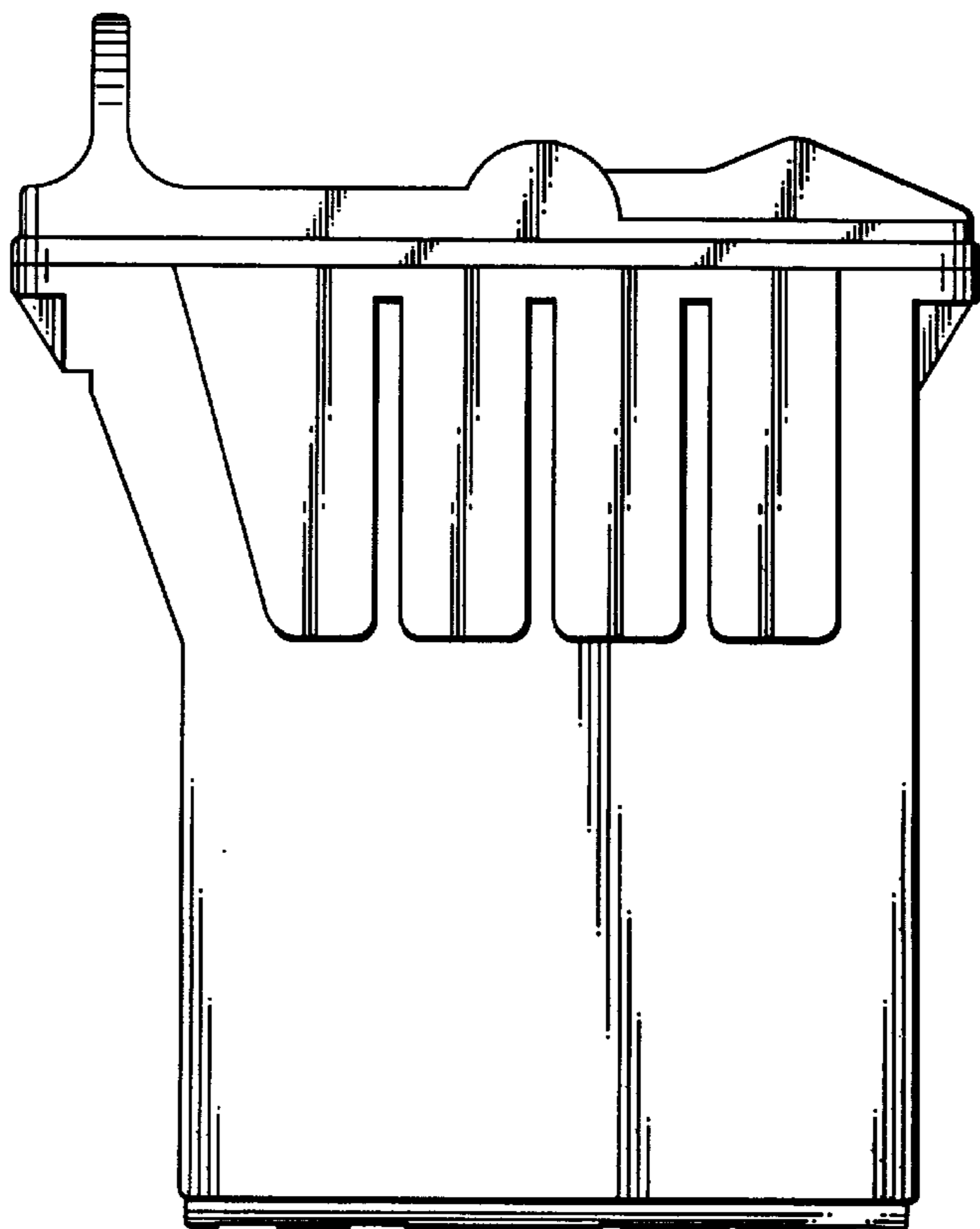
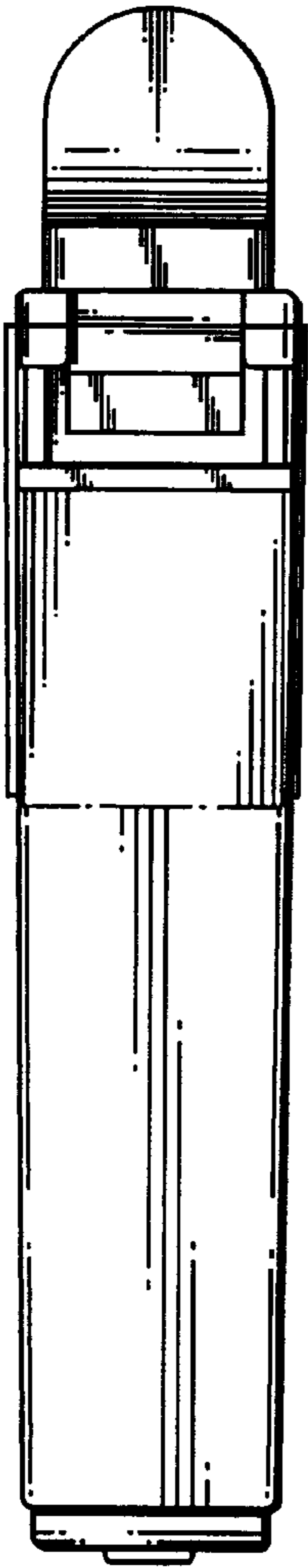
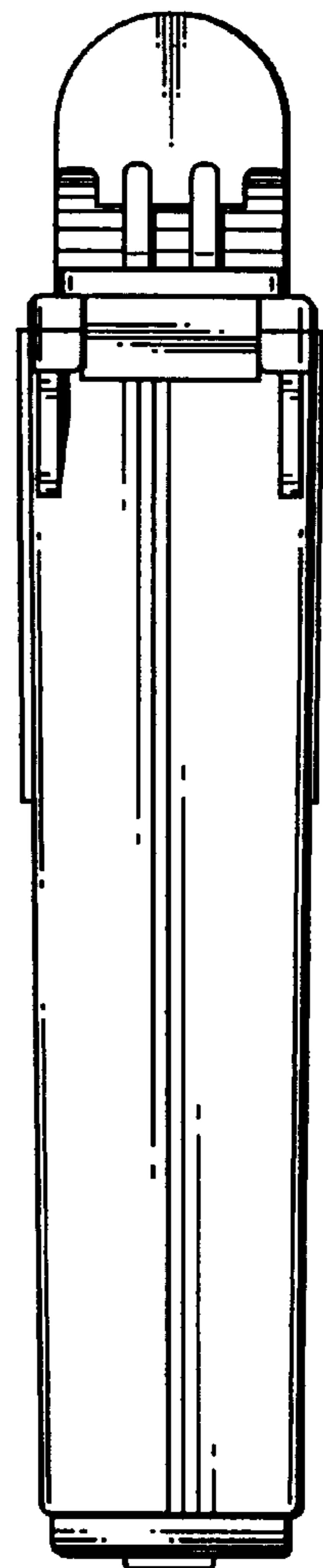


FIG. 2



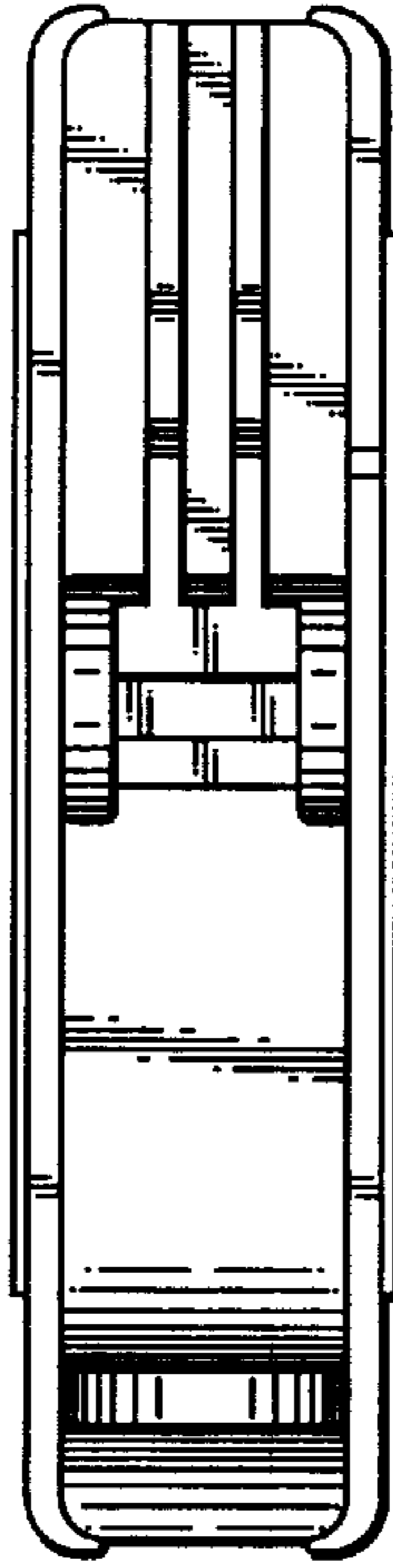


**FIG. 3**

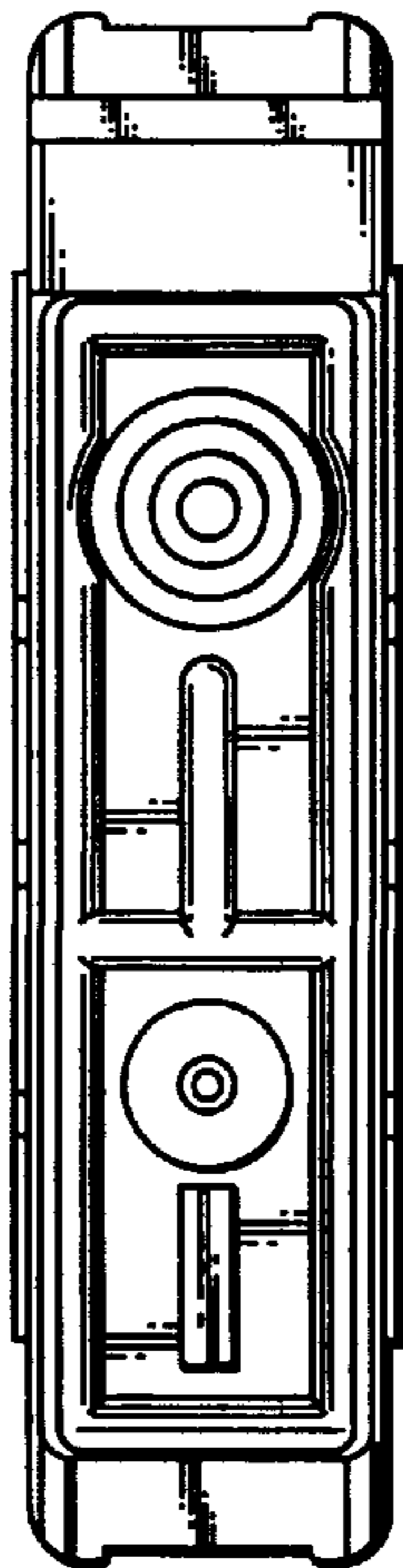


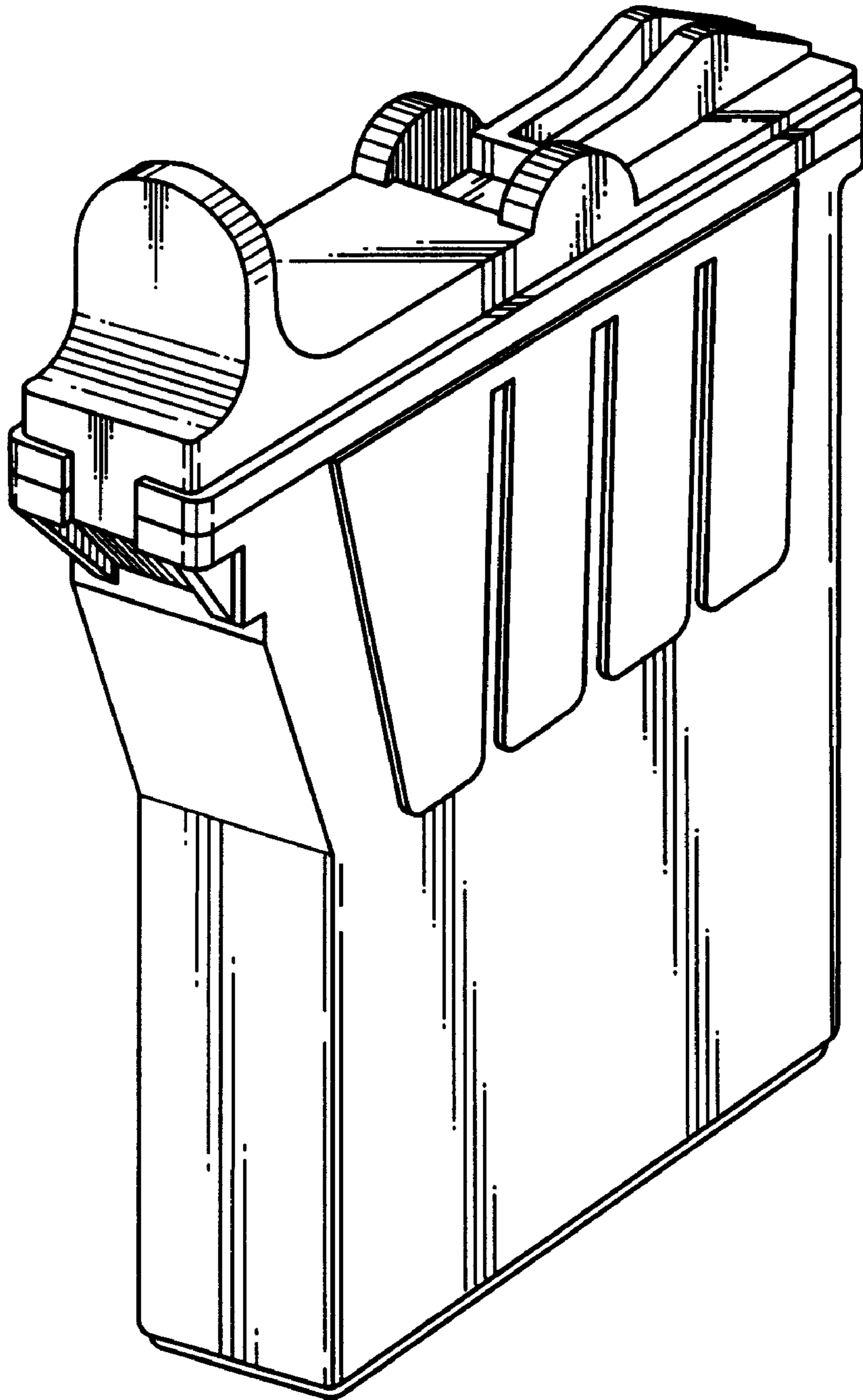
**FIG. 4**

**FIG. 5**



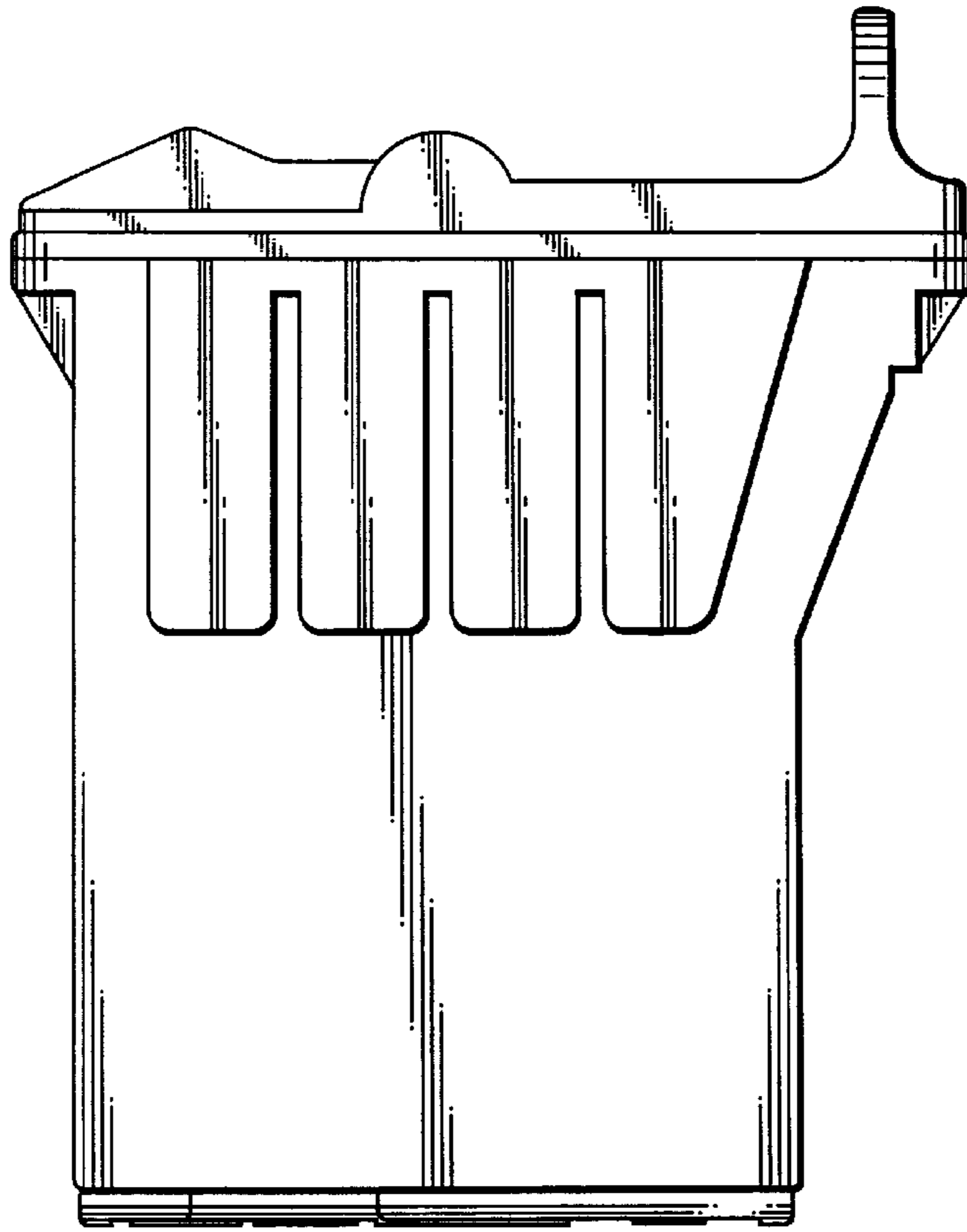
**FIG. 6**



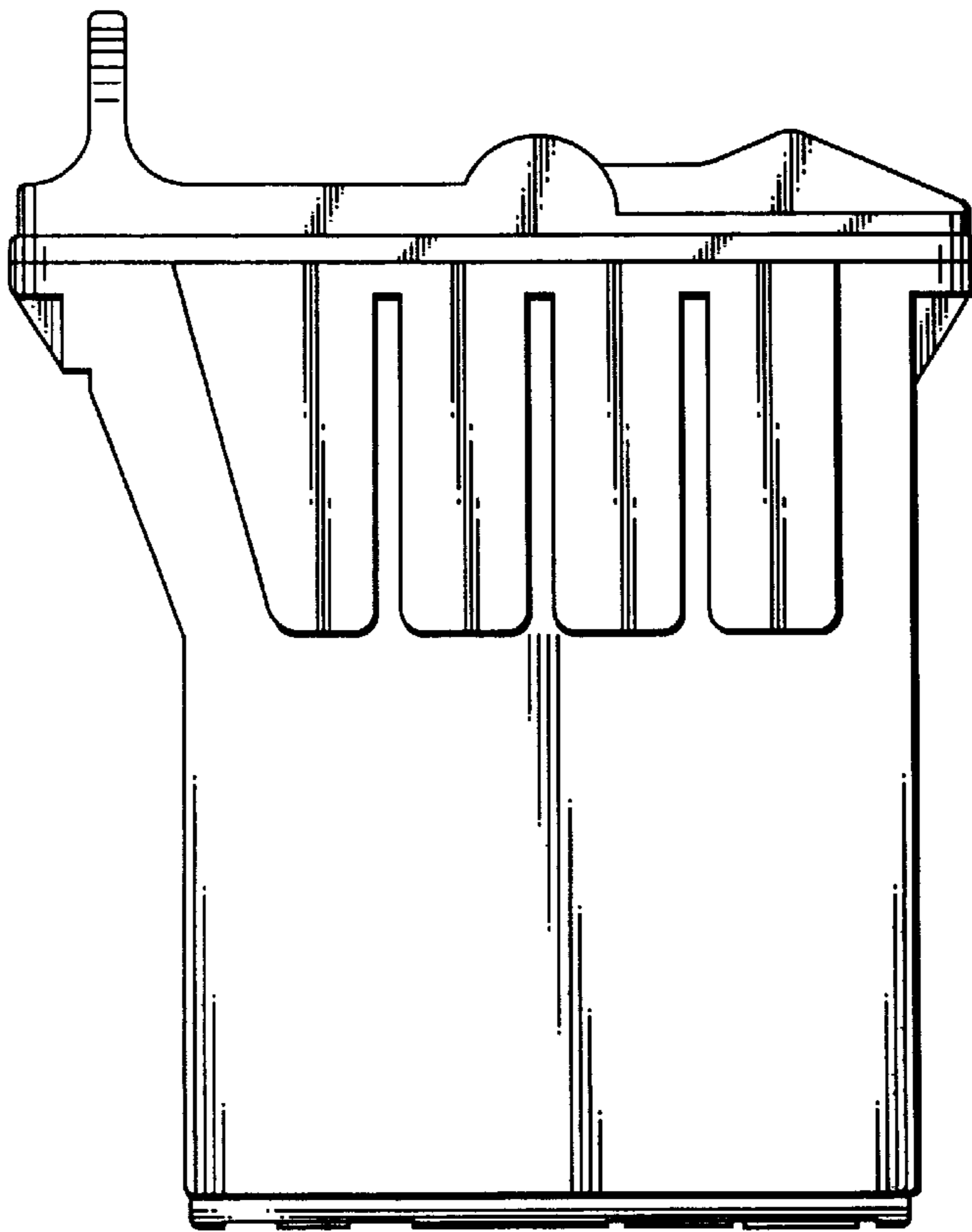


**FIG. 7**

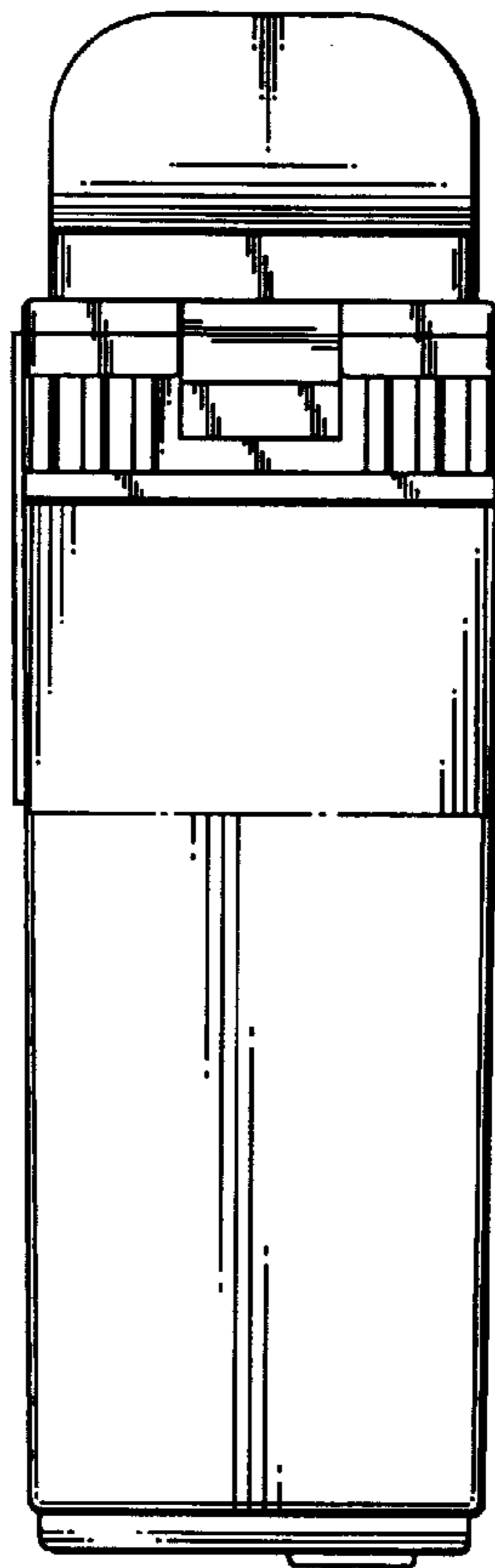
**FIG. 8**



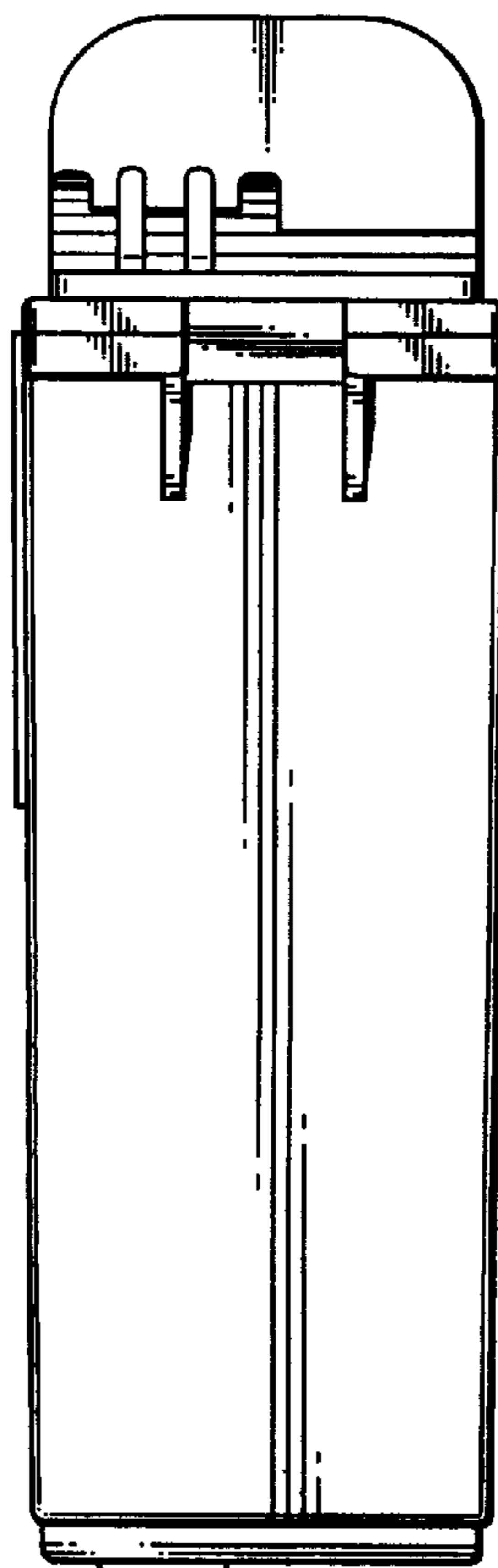
**FIG. 9**

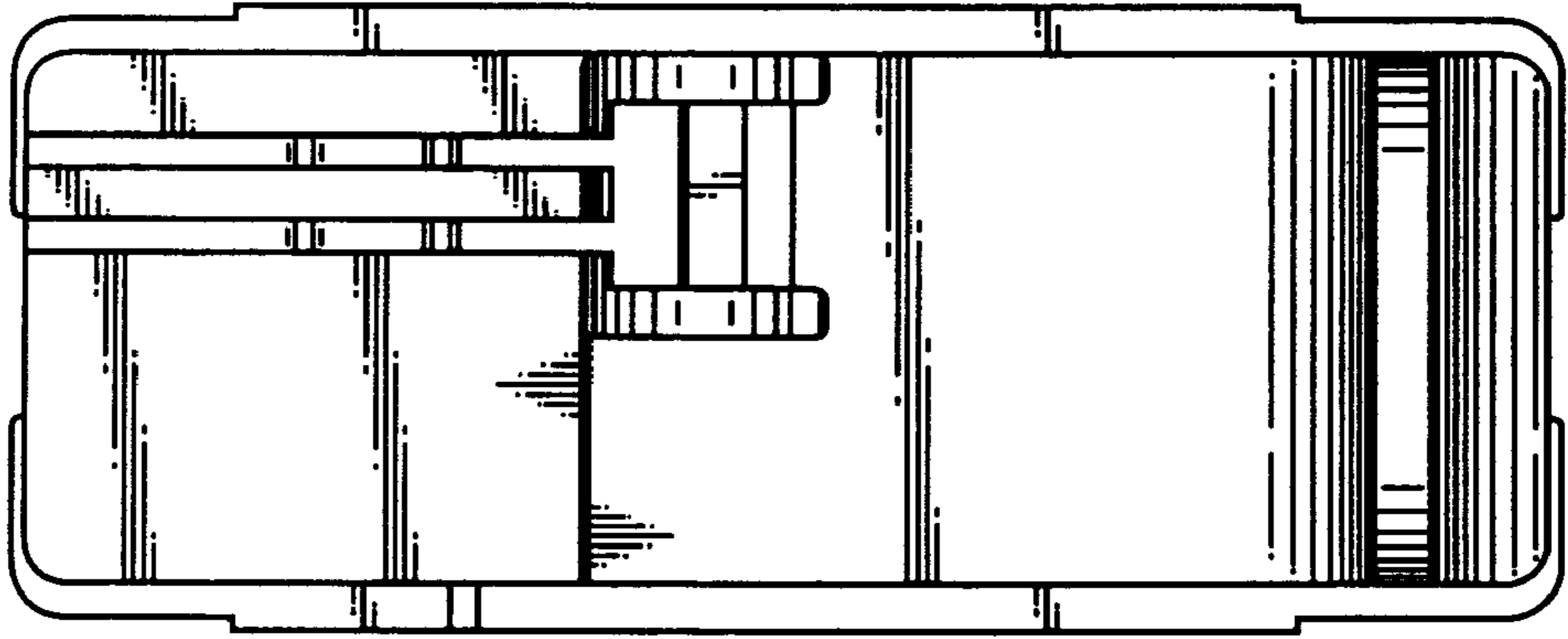


**FIG. 10**

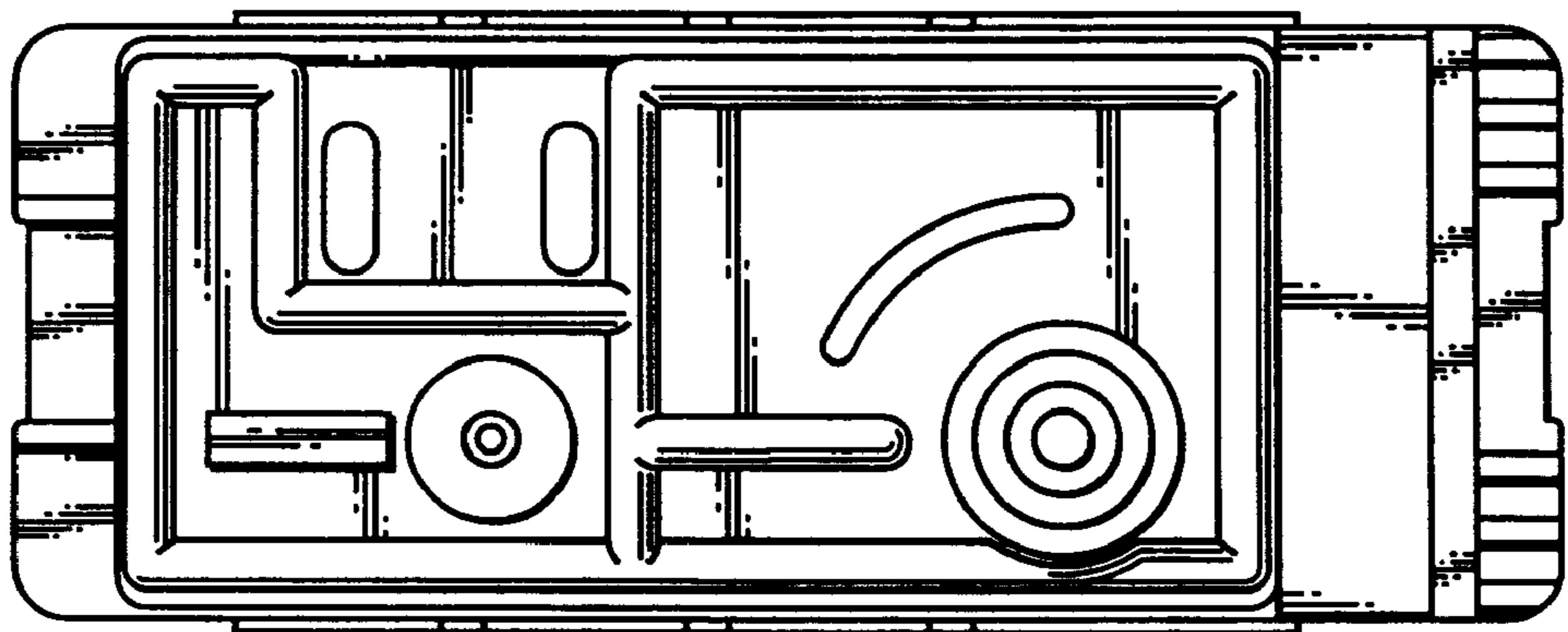


**FIG. 11**



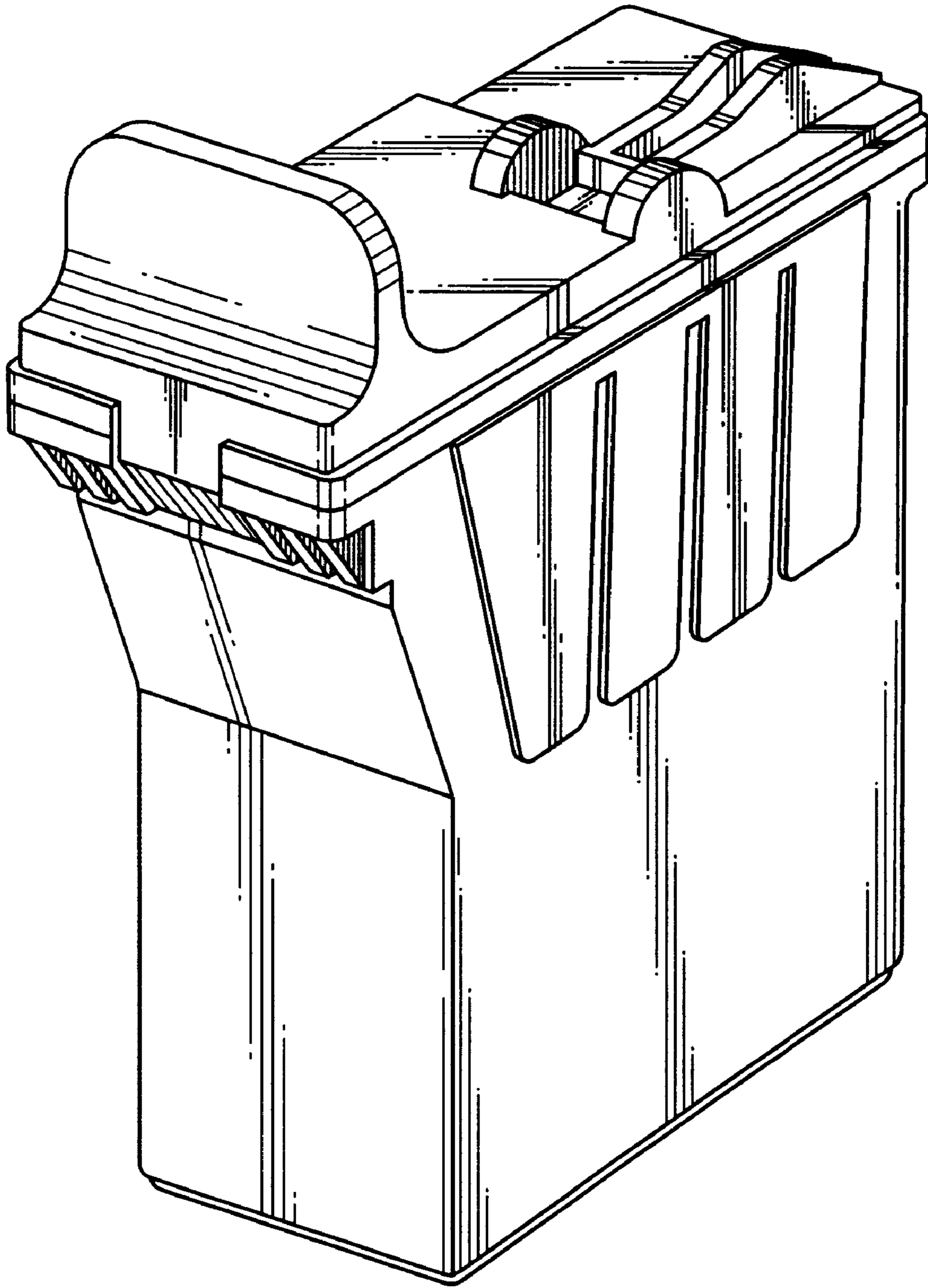


**FIG. 12**



**FIG. 13**





**FIG. 14**