



US00D462381S

(12) **United States Design Patent**
Leong et al.

(10) **Patent No.:** **US D462,381 S**

(45) **Date of Patent:** **** Sep. 3, 2002**

(54) **AUXILIARY SHEET FEEDER UNIT**

D368,273 S * 3/1996 Dubson D18/49
D413,622 S * 9/1999 Brown et al. D18/49
D438,893 S * 3/2001 Saito et al. D18/49

(75) Inventors: **David Woodrow Leong**, San Diego;
Juan M. Jimenez, Escondido, both of
CA (US)

* cited by examiner

(73) Assignee: **Hewlett-Packard Company**, Palo Alto,
CA (US)

Primary Examiner—Caron D. Veynar

(**) Term: **14 Years**

(57) **CLAIM**

The ornamental design for an auxiliary sheet feeder unit, as shown and described.

(21) Appl. No.: **29/152,088**

(22) Filed: **Oct. 22, 2001**

DESCRIPTION

(51) **LOC (7) Cl.** **18-99**

(52) **U.S. Cl.** **D18/49**

(58) **Field of Search** D18/36-40, 44-49,
D18/54-56; 399/361, 377, 393, 411; 271/3.14,
8.1, 278

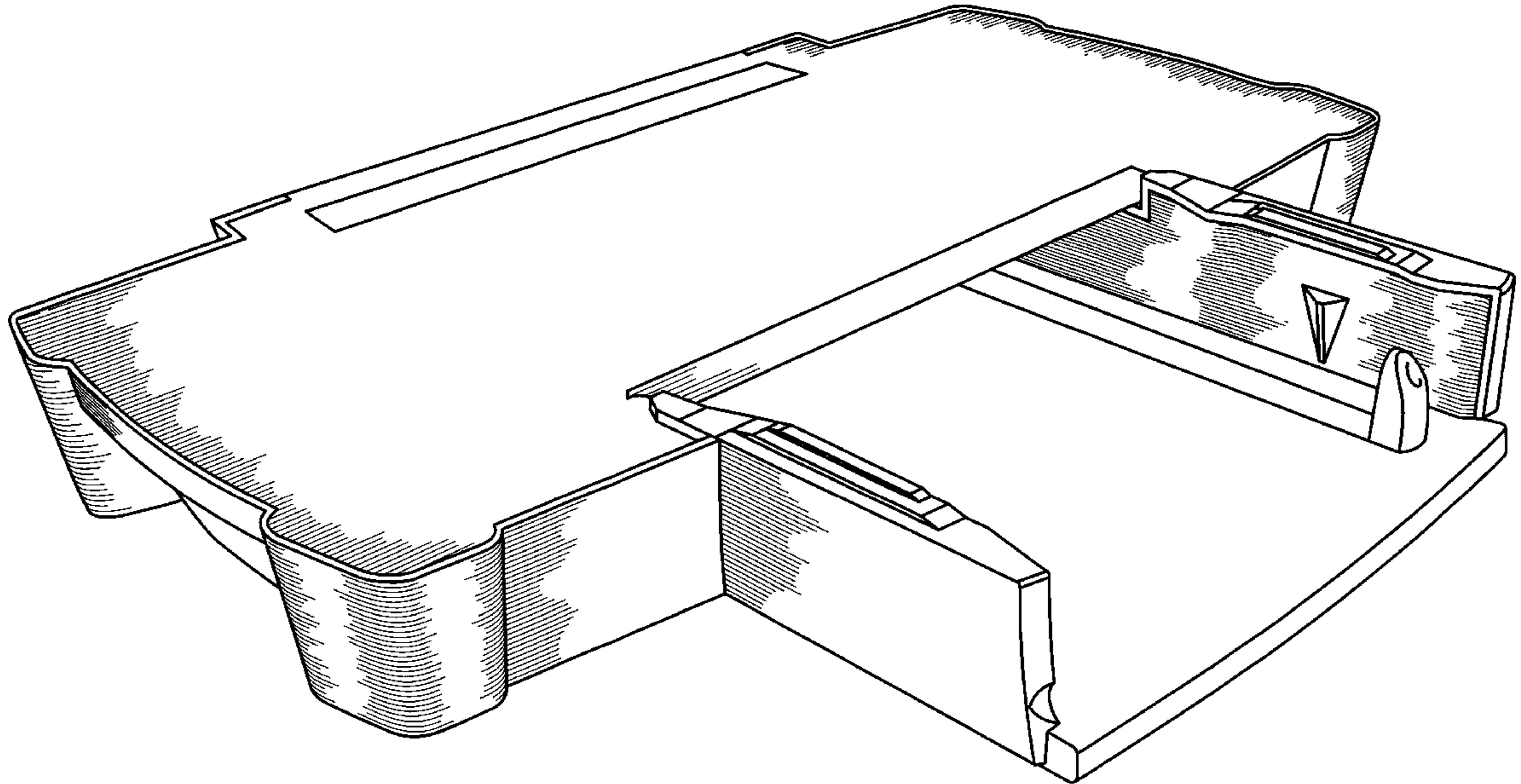
FIG. 1 is a perspective view of our new design;
FIG. 2 is a front side elevation view thereof;
FIG. 3 is a rear side elevation view thereof;
FIG. 4 is a right side elevation view thereof;
FIG. 5 is a left side elevation view thereof; and,
FIG. 6 is a top plan view thereof.

(56) **References Cited**

U.S. PATENT DOCUMENTS

D339,154 S * 9/1993 Fukuda D18/44

1 Claim, 3 Drawing Sheets



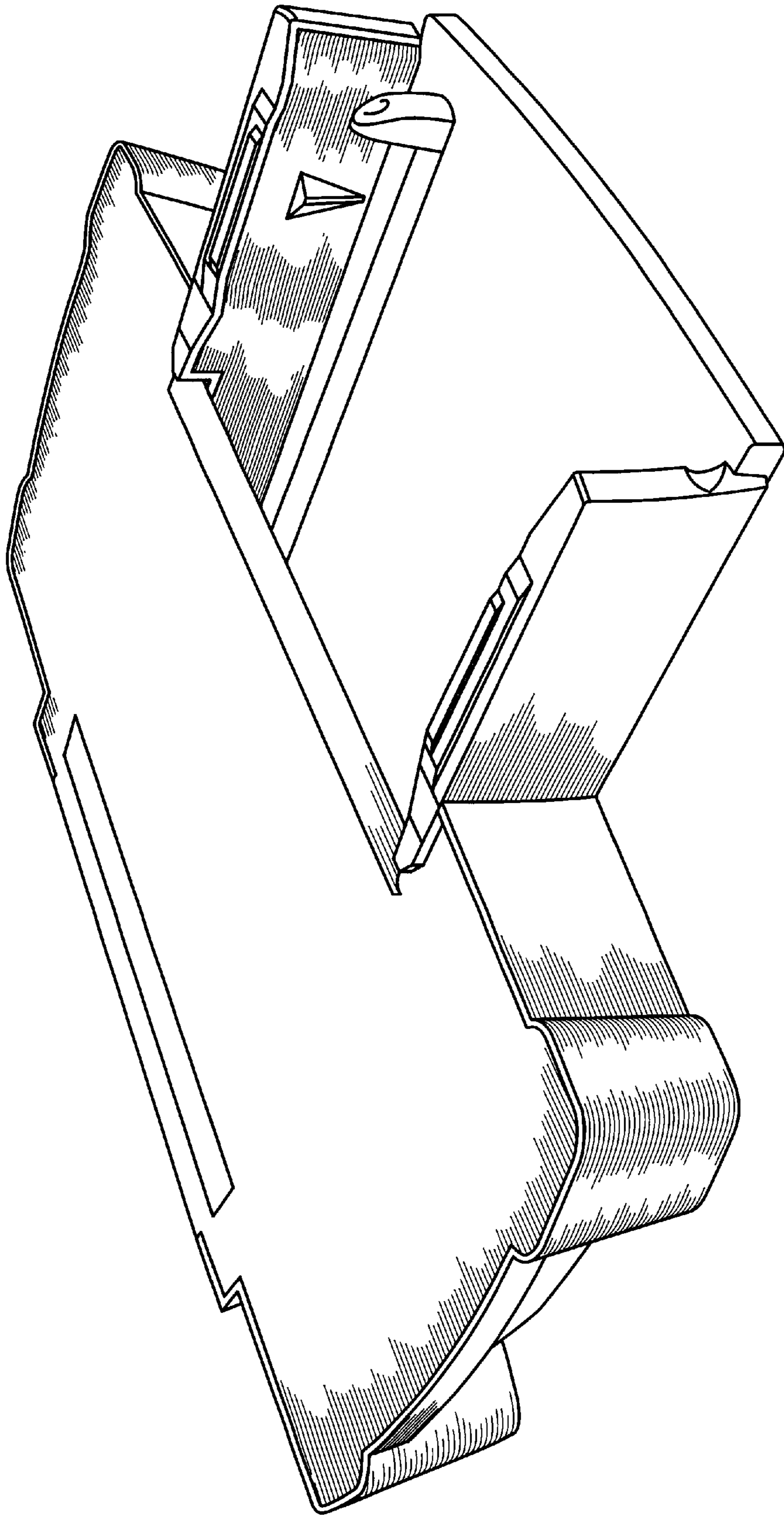


FIG. 1

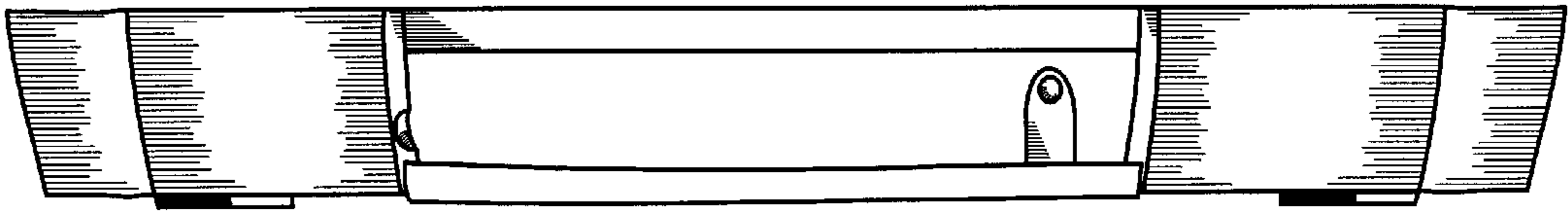


FIG. 2

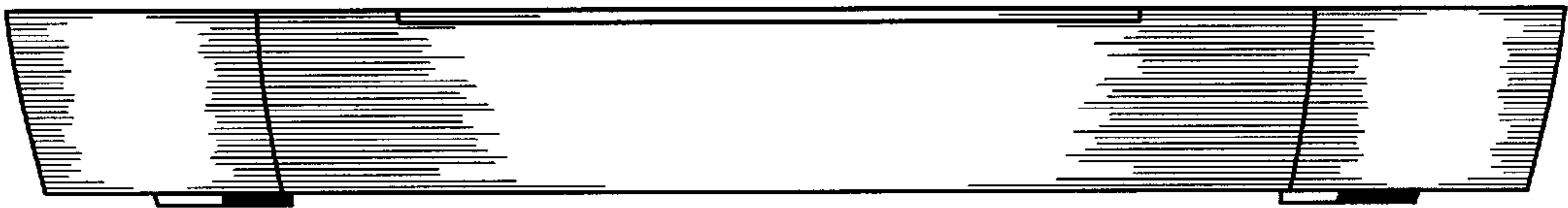


FIG. 3

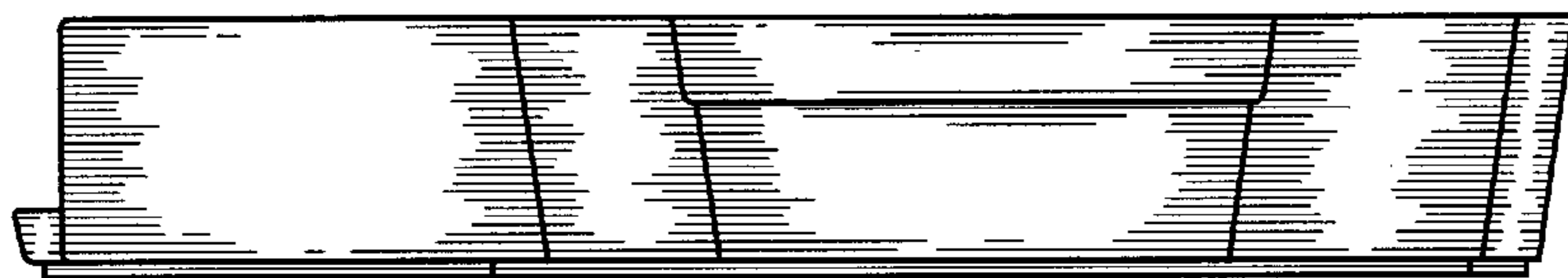


FIG. 4

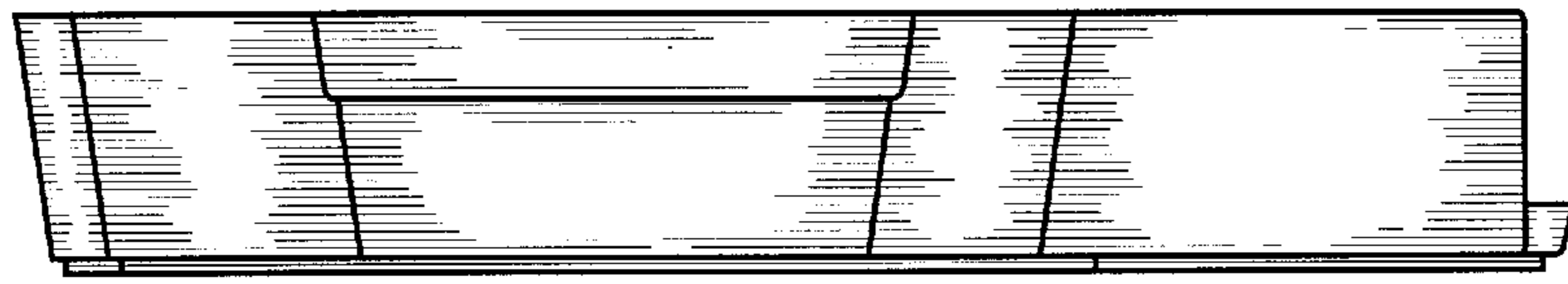


FIG. 5

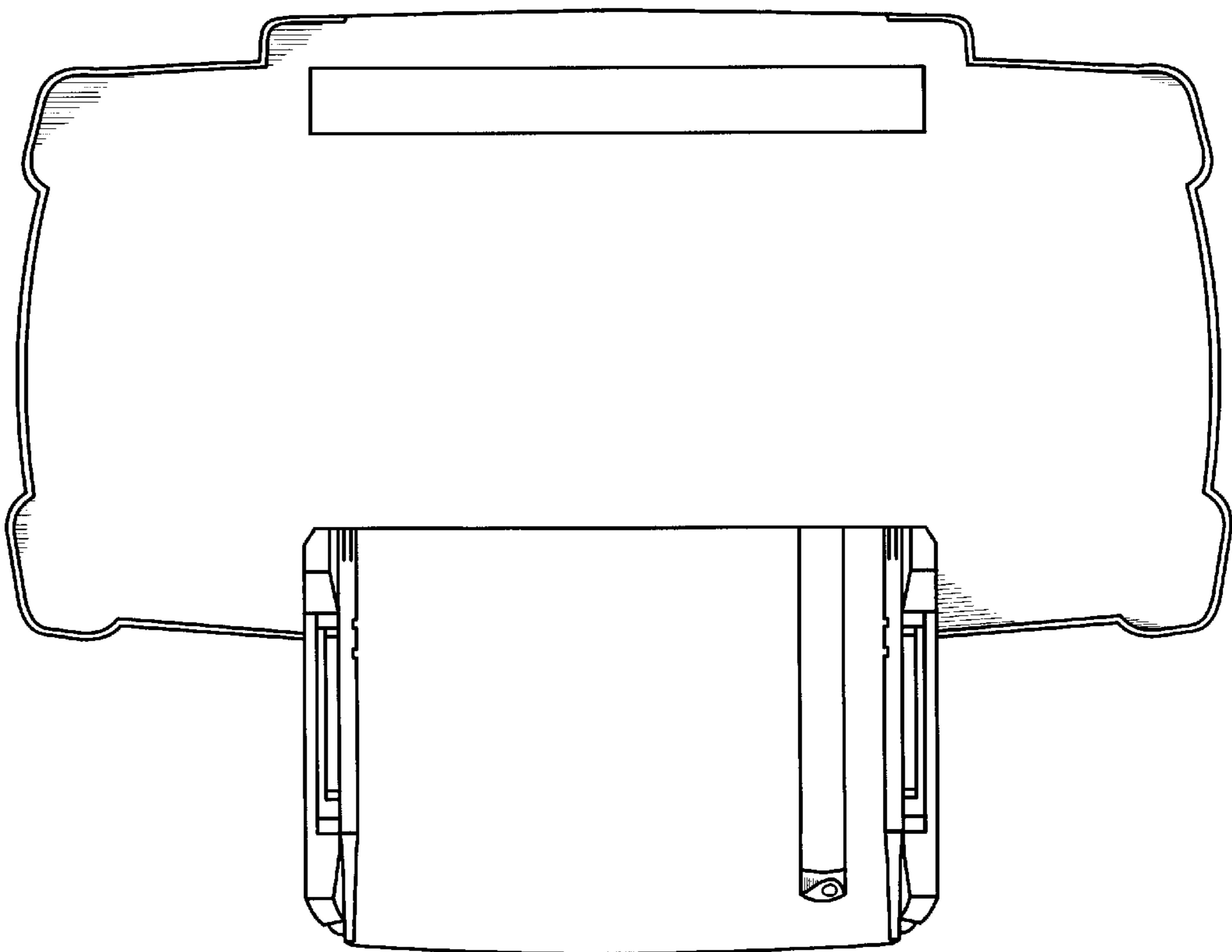


FIG. 6