



US00D462380S

(12) **United States Design Patent**
Ortiz et al.

(10) **Patent No.:** **US D462,380 S**

(45) **Date of Patent:** **** Sep. 3, 2002**

(54) **PRINTER**

(75) Inventors: **Carlos Garnier Ortiz**, Jalisco (MX);
Kevin Lloyd Falk, Boise, ID (US);
Claudia Angelica Santillan Figueroa,
Jalisco (MX); **Angelo Michael**
LaBarbera, Eagle, ID (US)

(73) Assignee: **Hewlett-Packard Company**, Palo Alto,
CA (US)

(**) Term: **14 Years**

(21) Appl. No.: **29/145,989**

(22) Filed: **Aug. 1, 2001**

(51) **LOC (7) Cl.** **18-99**

(52) **U.S. Cl.** **D18/47; D18/53**

(58) **Field of Search** D18/36-39, 46-49,
D18/53-55; 399/1-7, 81, 130, 16, 361-365;
355/97; 271/3.01, 3.14, 278

(56) **References Cited**

U.S. PATENT DOCUMENTS

D373,789 S * 9/1996 Narushima D18/48

D403,349 S * 12/1998 Hirose et al. D18/46

D404,420 S * 1/1999 Takada et al. D18/47

D438,239 S * 2/2001 Agata D18/47

D451,128 S * 11/2001 Ortiz D18/47

* cited by examiner

Primary Examiner—Caron D. Veynar

(57) **CLAIM**

The ornamental design for a printer, as shown.

DESCRIPTION

FIG. 1 is a perspective view of a printer showing our new design;

FIG. 2 is a front view thereof;

FIG. 3 is a right side view thereof;

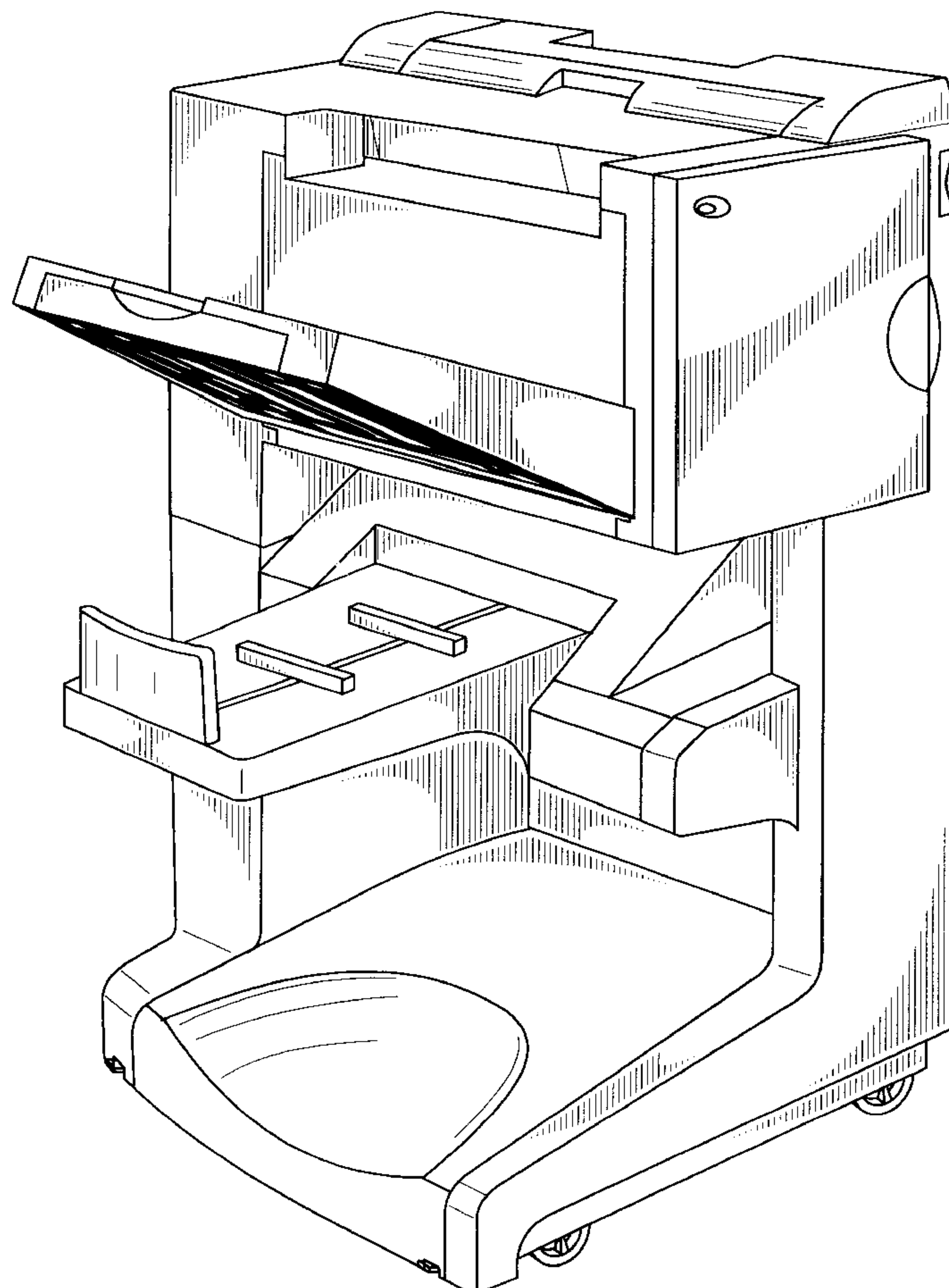
FIG. 4 is a left side view thereof;

FIG. 5 is a back view thereof;

FIG. 6 is a top view thereof; and,

FIG. 7 is a bottom view thereof.

1 Claim, 7 Drawing Sheets



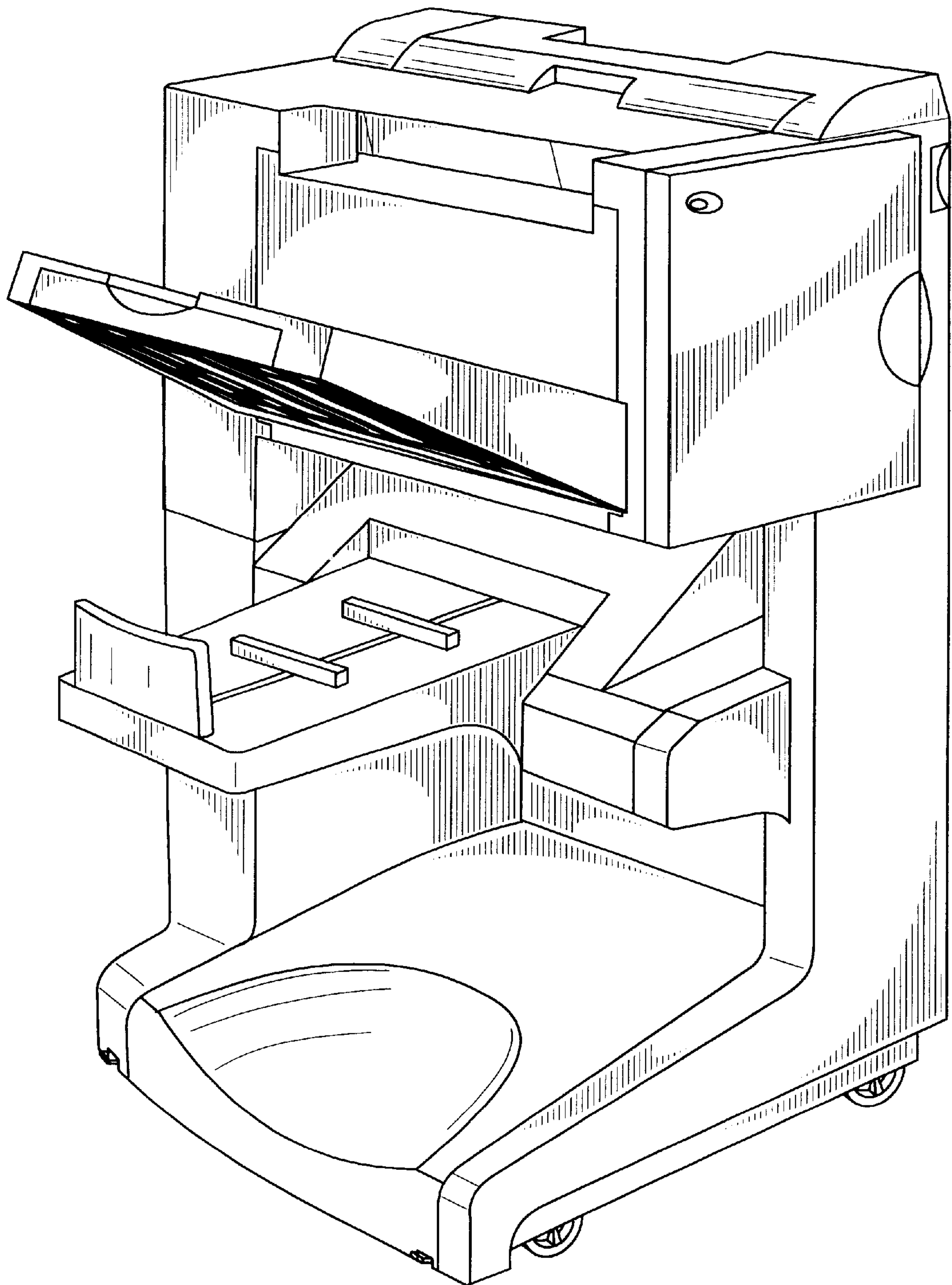


Fig. 1

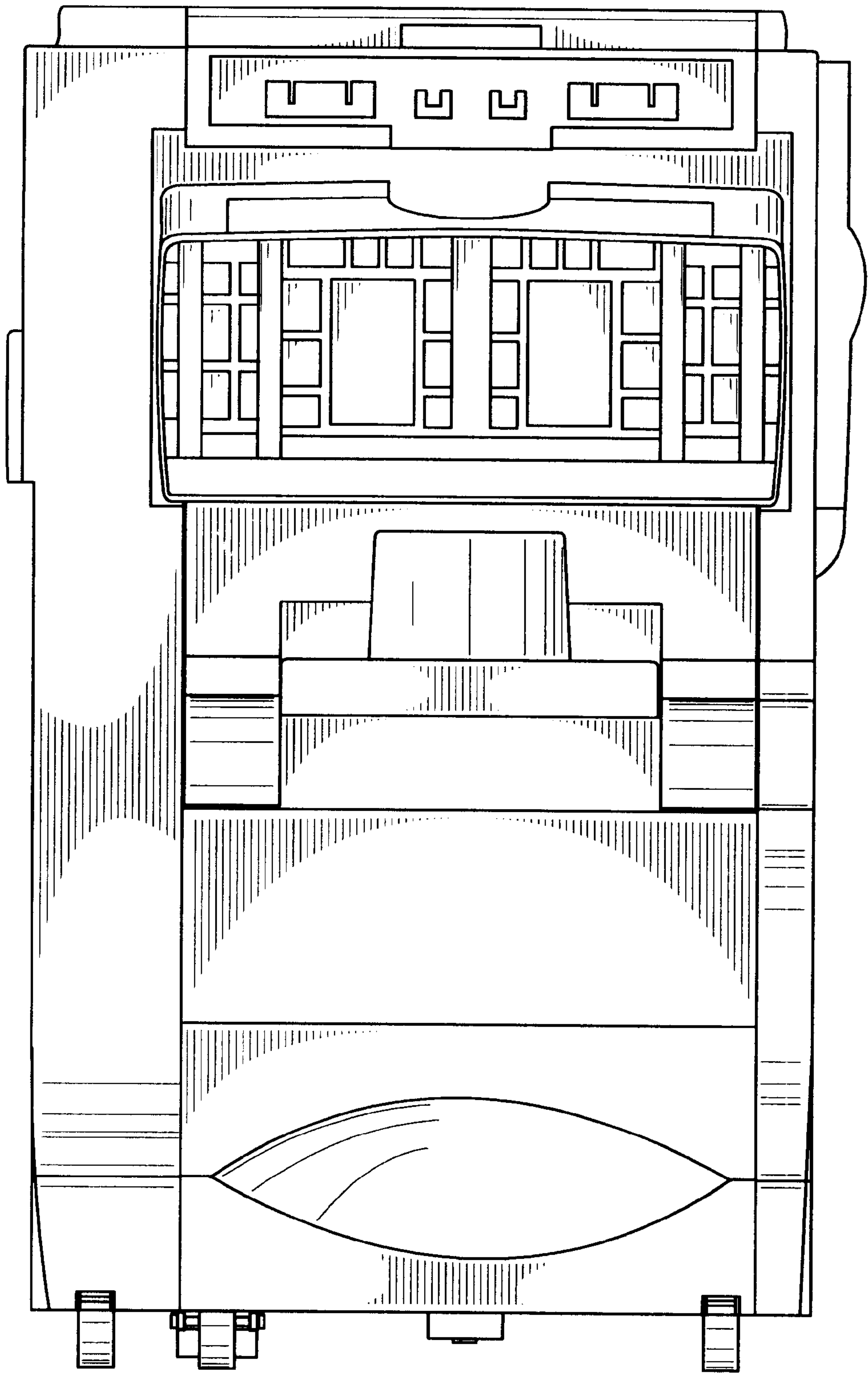


Fig. 2

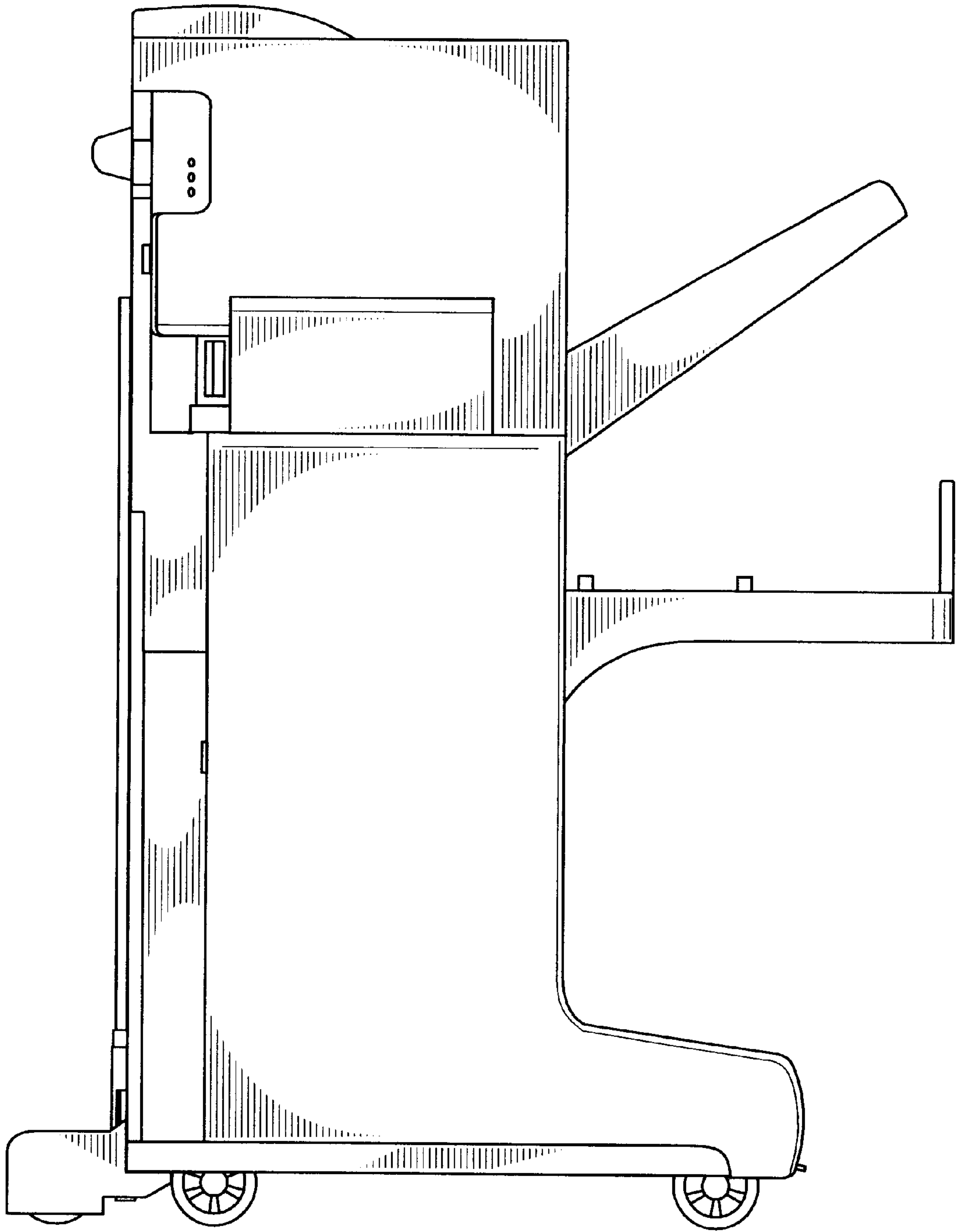


Fig. 3

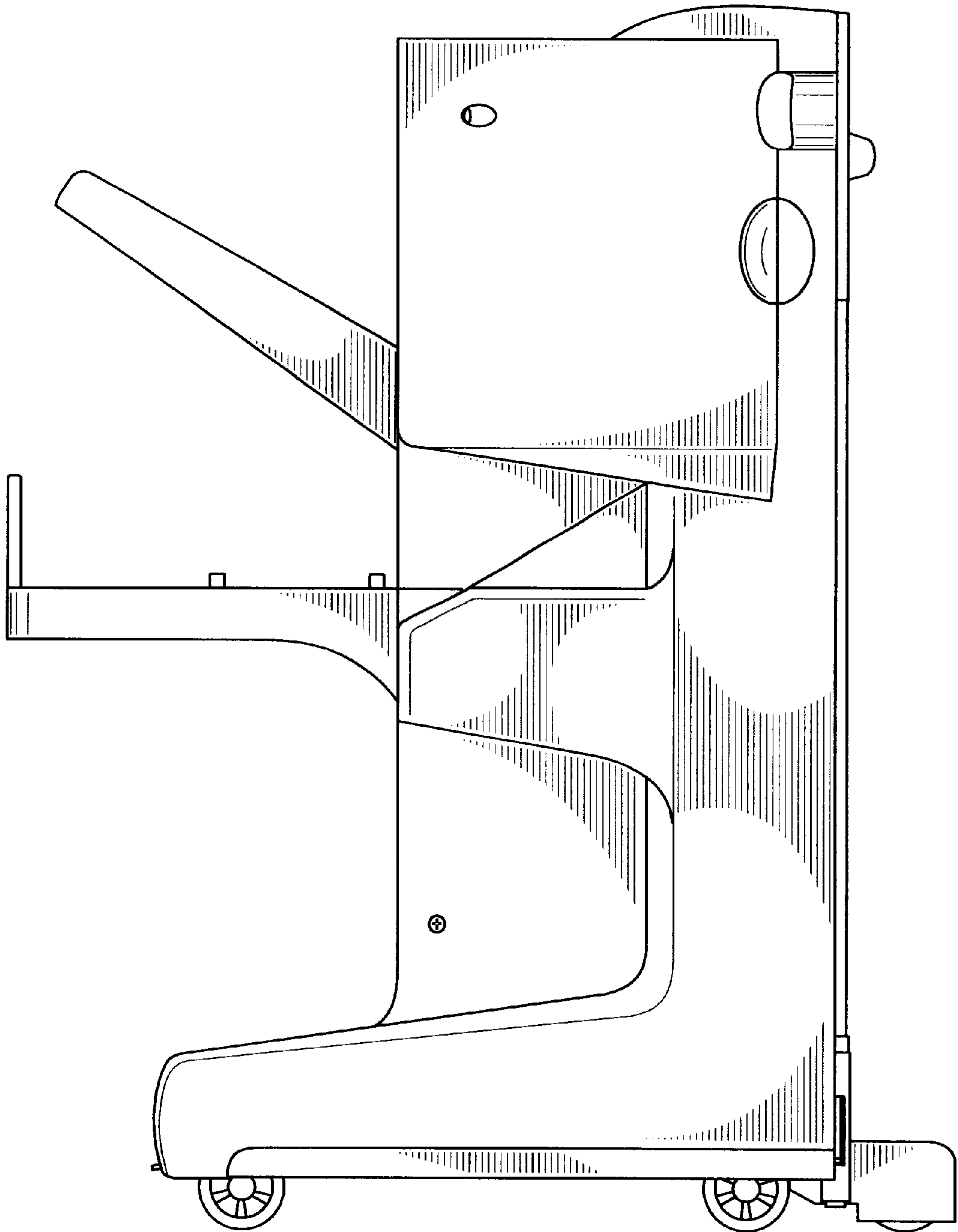


Fig. 4

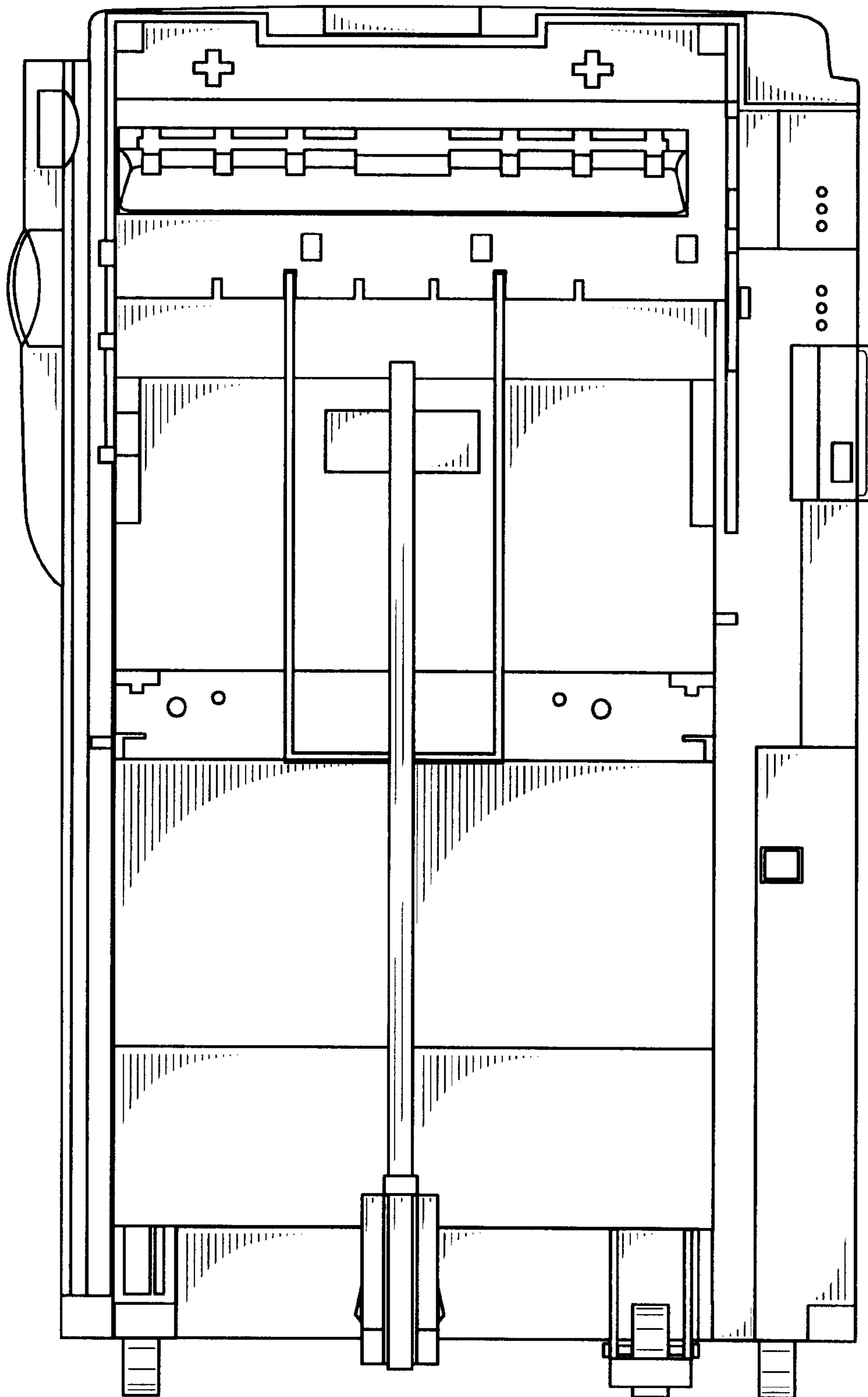


Fig. 5

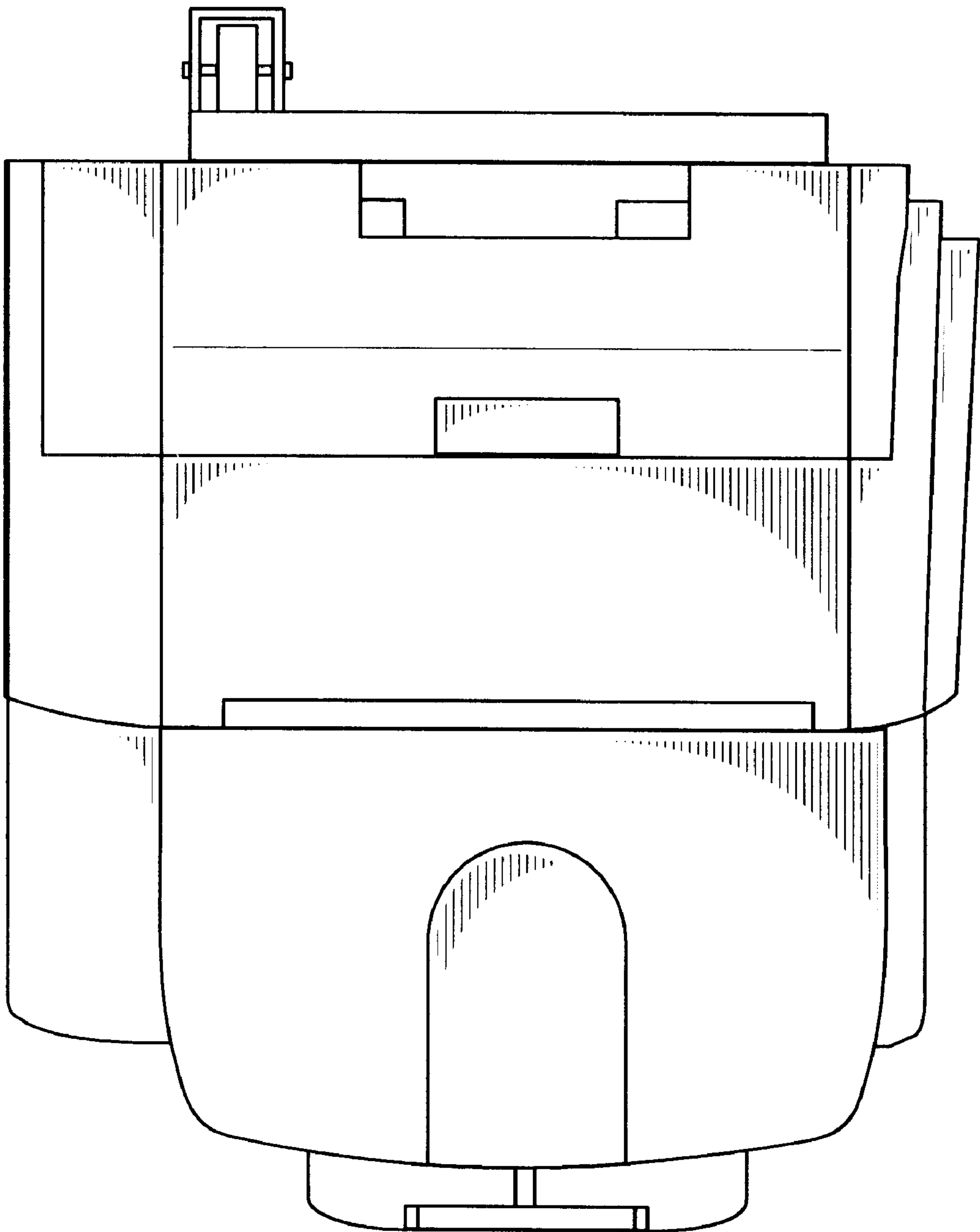


Fig. 6

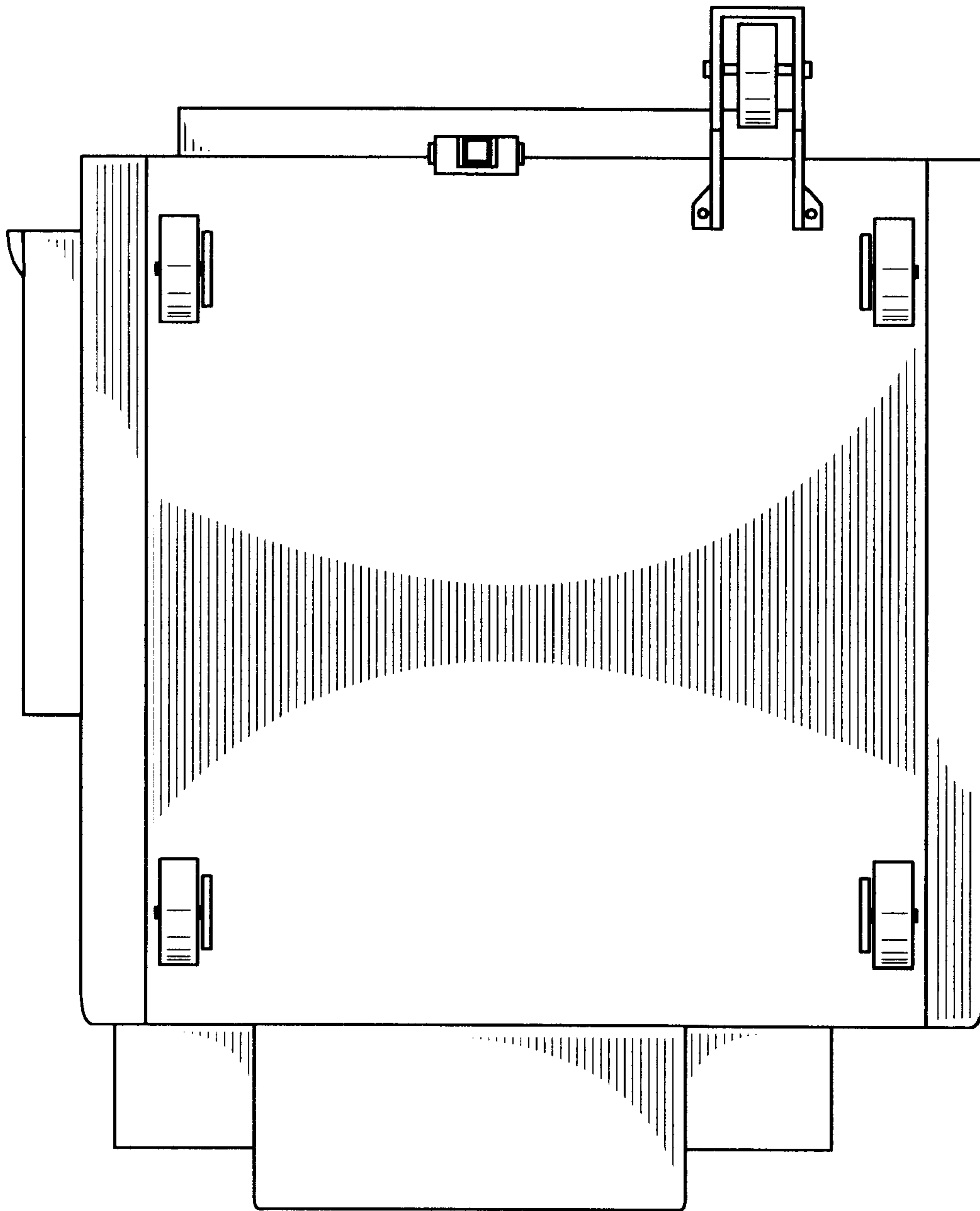


Fig. 7