

US00D462379S

(12) **United States Design Patent**
Ito et al.

(10) **Patent No.:** **US D462,379 S**

(45) **Date of Patent:** **** Sep. 3, 2002**

(54) **IMAGE DRUM CARTRIDGE**

D447,511 S * 9/2001 Kimura et al. D18/40

(75) Inventors: **Junichi Ito; Sinichi Otani; Atsushi Kobayashi; Yoshiharu Momiyama; Shigeki Nakajima**, all of Tokyo (JP)

* cited by examiner

Primary Examiner—Caron D. Veynar
(74) *Attorney, Agent, or Firm*—Ladas & Parry

(73) Assignee: **Oki Data Corporation**, Tokyo (JP)

(57) **CLAIM**

(**) Term: **14 Years**

The ornamental design for an image drum cartridge, as shown.

(21) Appl. No.: **29/126,991**

DESCRIPTION

(22) Filed: **Jul. 28, 2000**

(51) **LOC (7) Cl.** **16-03**

(52) **U.S. Cl.** **D18/40**

(58) **Field of Search** D18/40, 43, 56;
399/24-27, 31, 130, 262; 222/DIG. 1

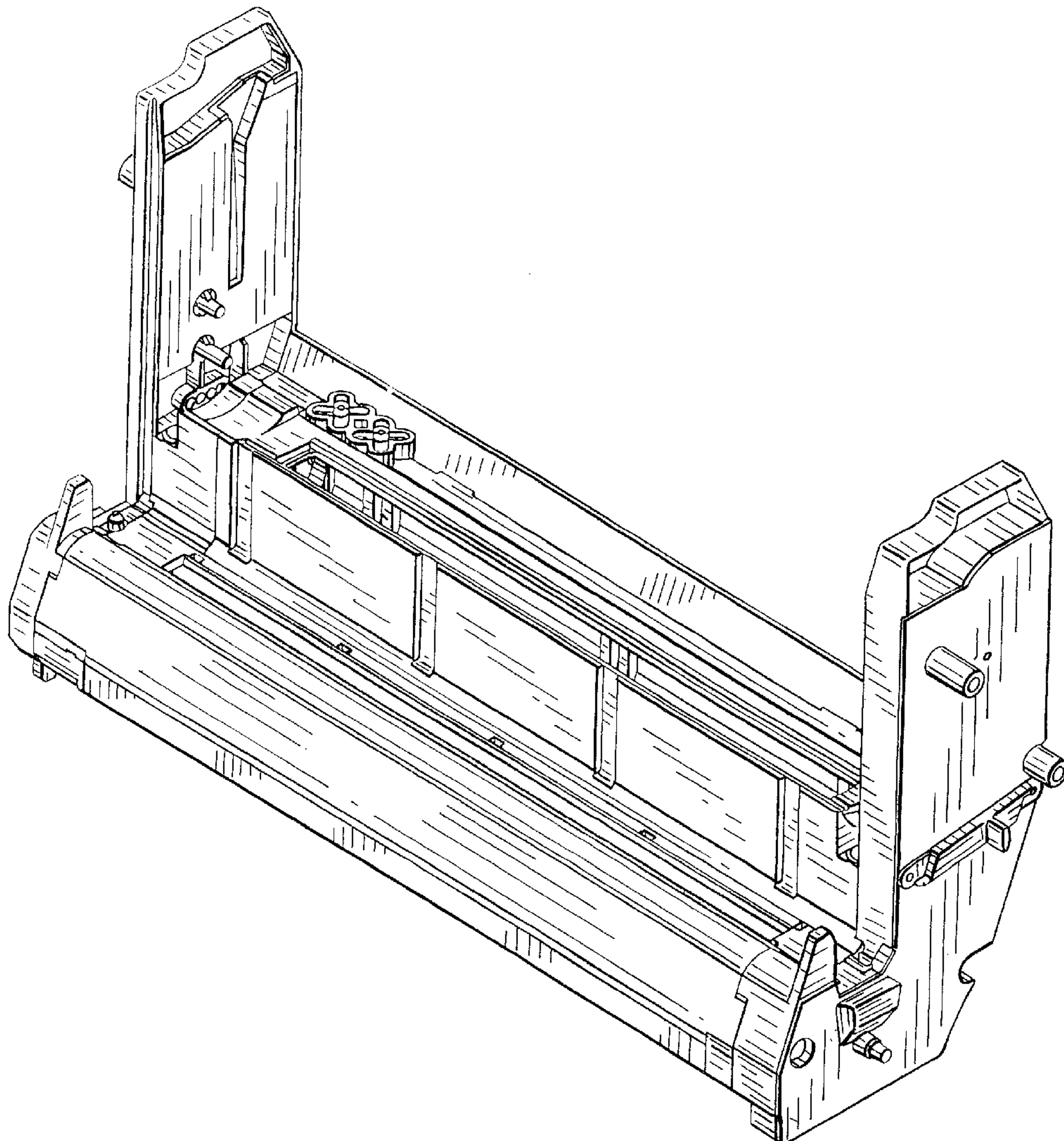
FIG. 1 is a front view of the image drum cartridge;
FIG. 2 is a rear view of FIG. 1;
FIG. 3 is a top view of FIG. 1;
FIG. 4 is a bottom view of FIG. 1;
FIG. 5 is a right side view of FIG. 1;
FIG. 6 is a left side view of FIG. 1;
FIG. 7 is a perspective view from the front;
FIG. 8 is a perspective view from the rear; and,
FIG. 9 is an another left side view.

(56) **References Cited**

U.S. PATENT DOCUMENTS

D423,559 S * 4/2000 Suzuki et al. D18/40

1 Claim, 7 Drawing Sheets



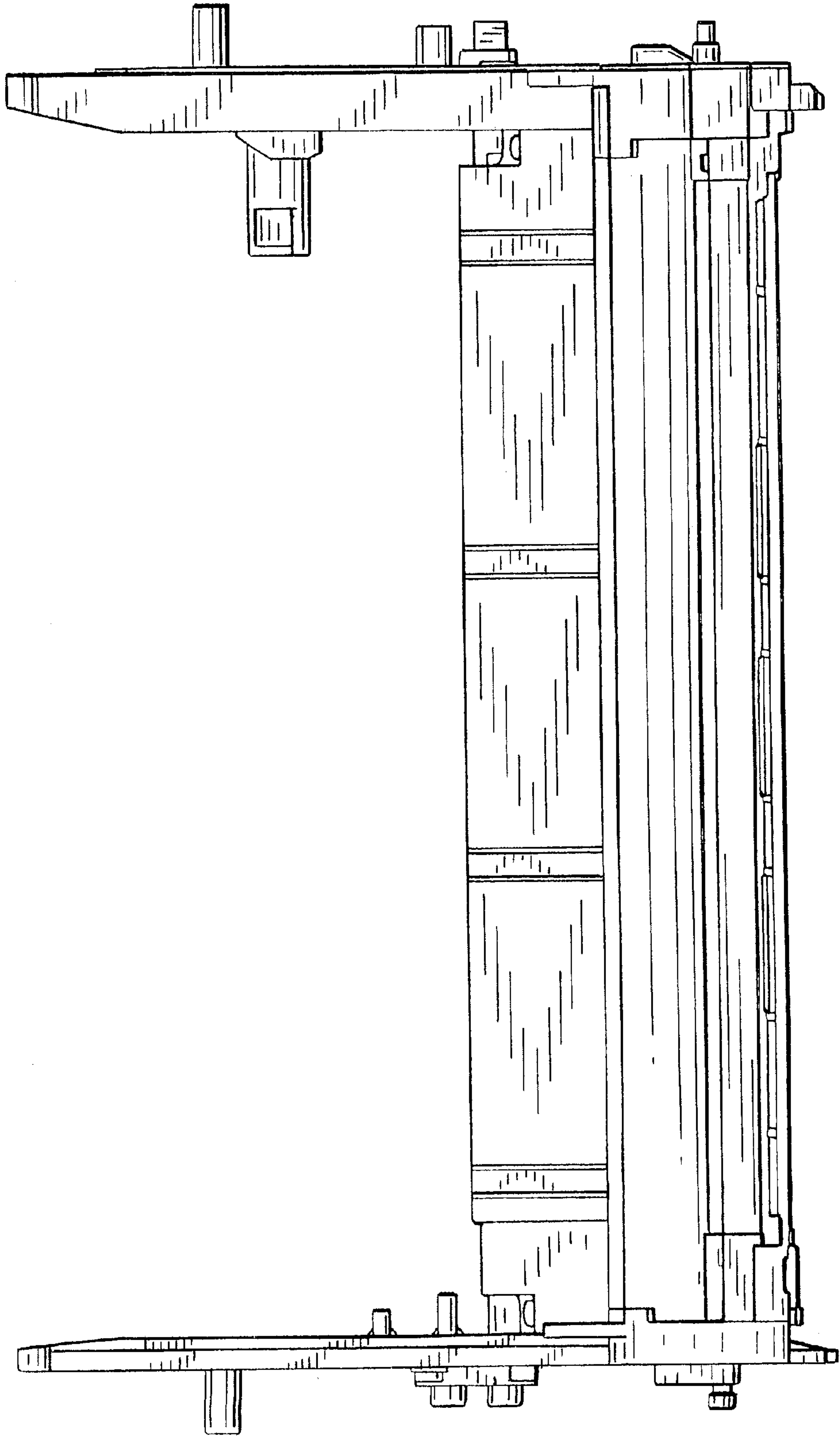


FIG. 1

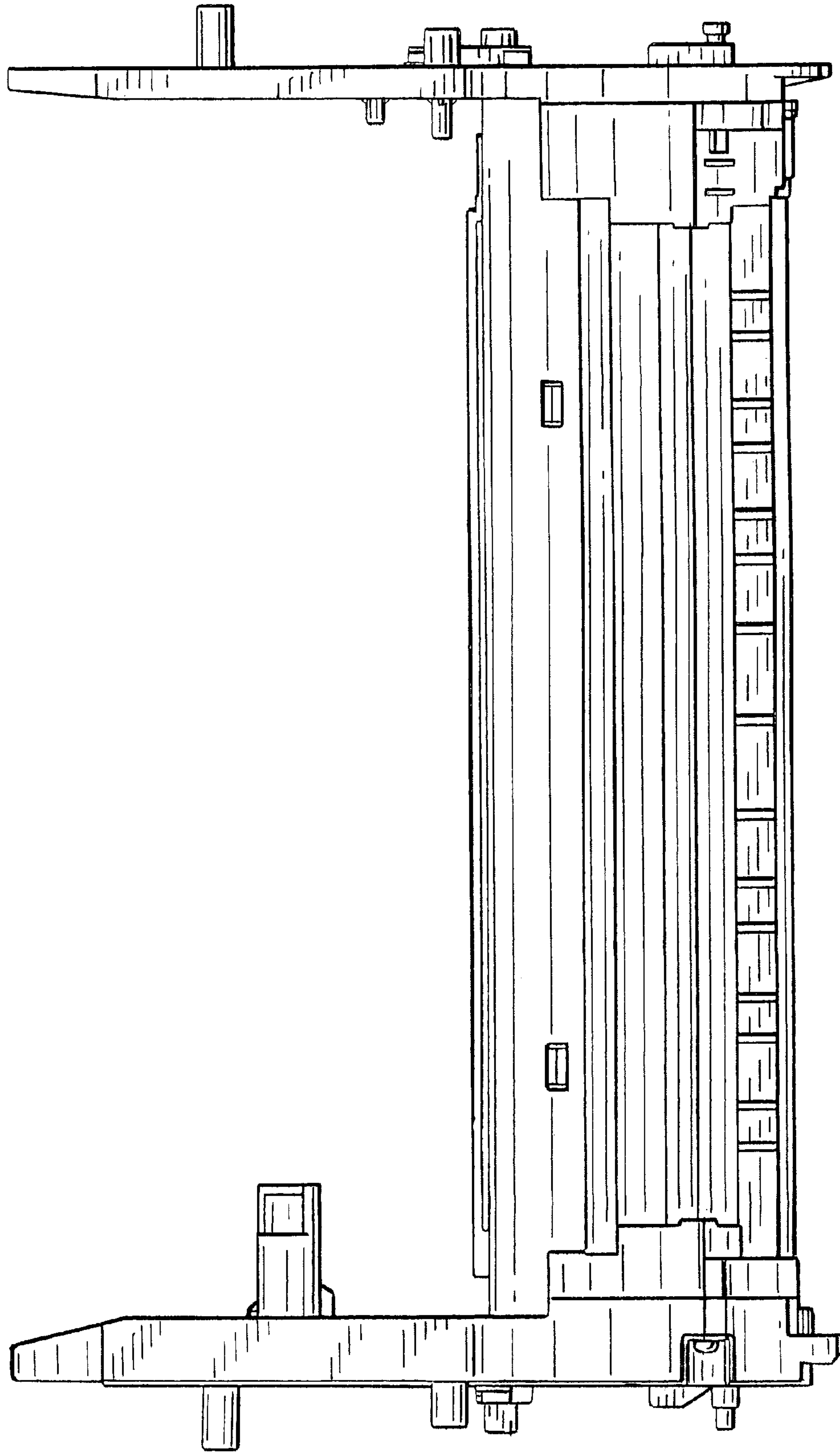


FIG. 2

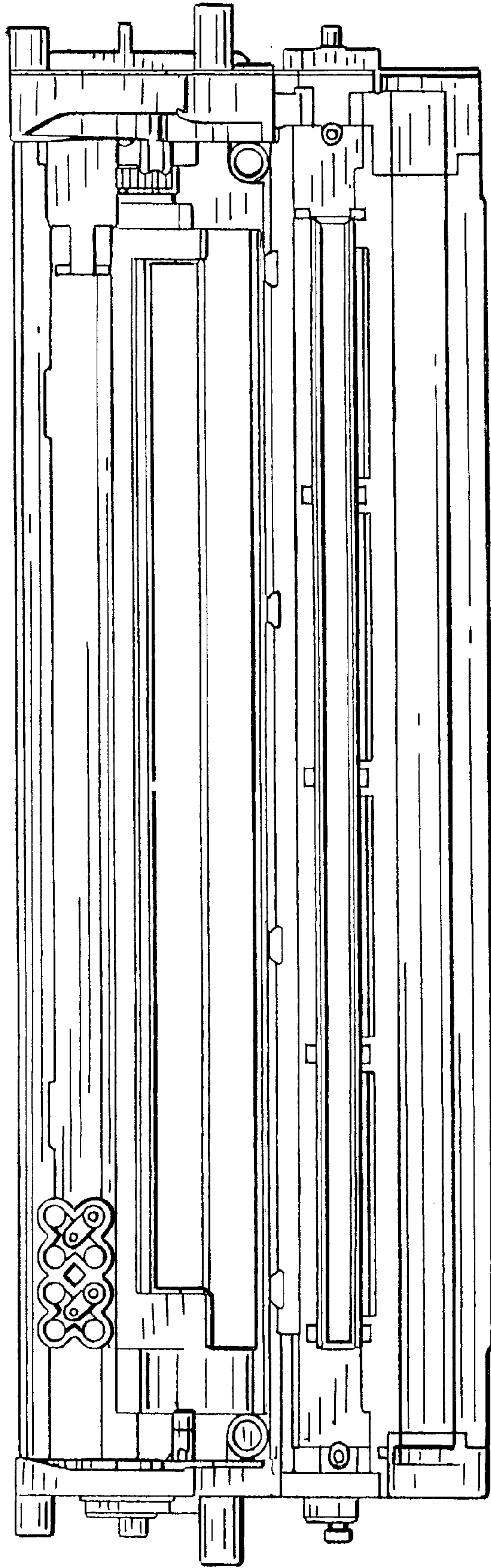


FIG. 3

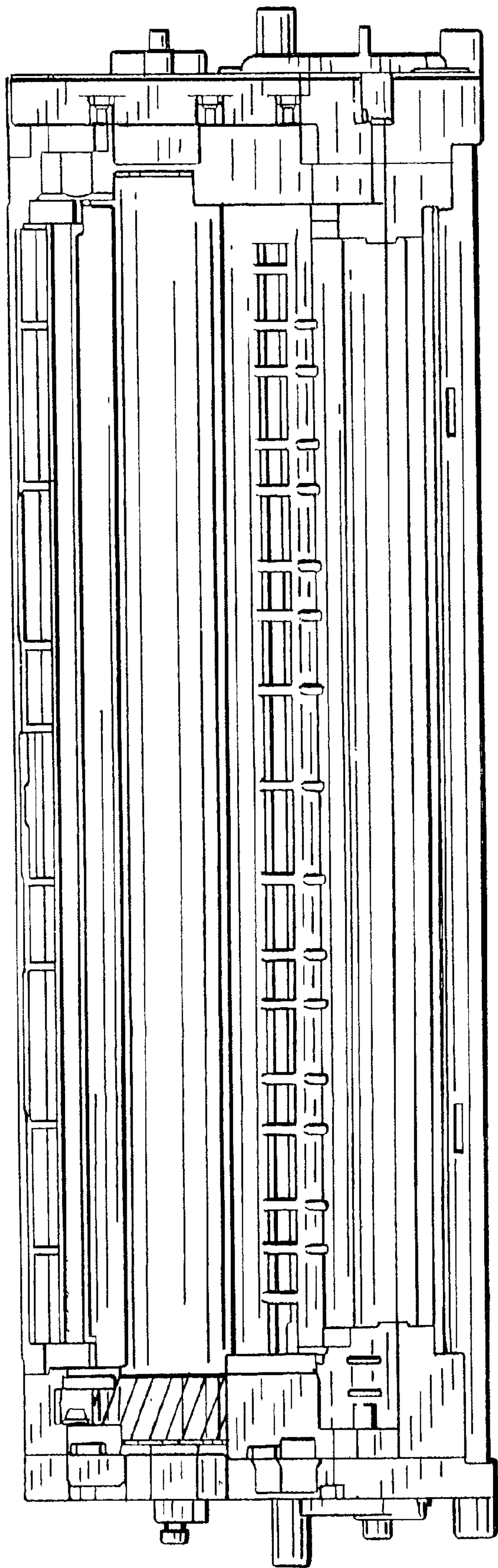


FIG. 4

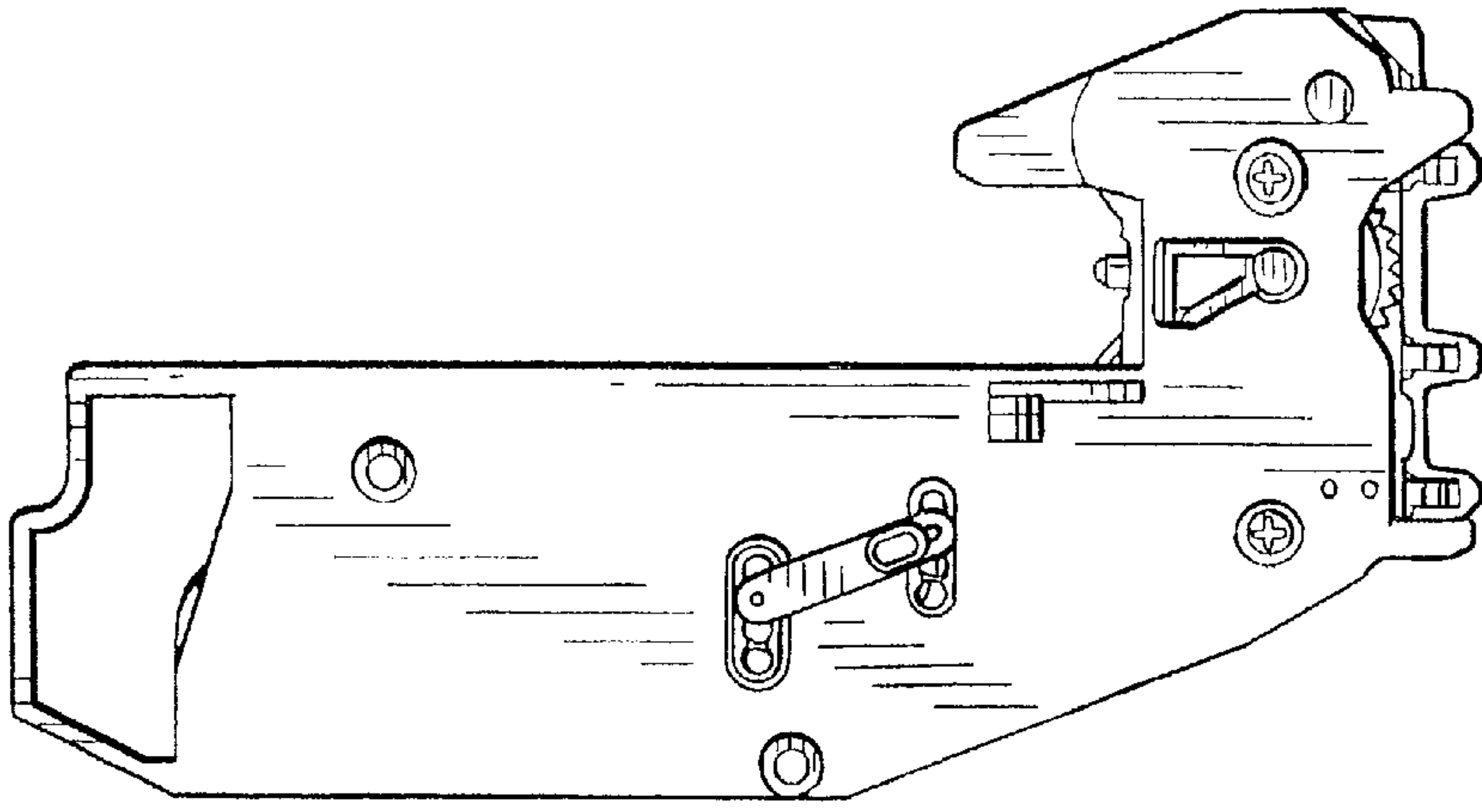


FIG. 5

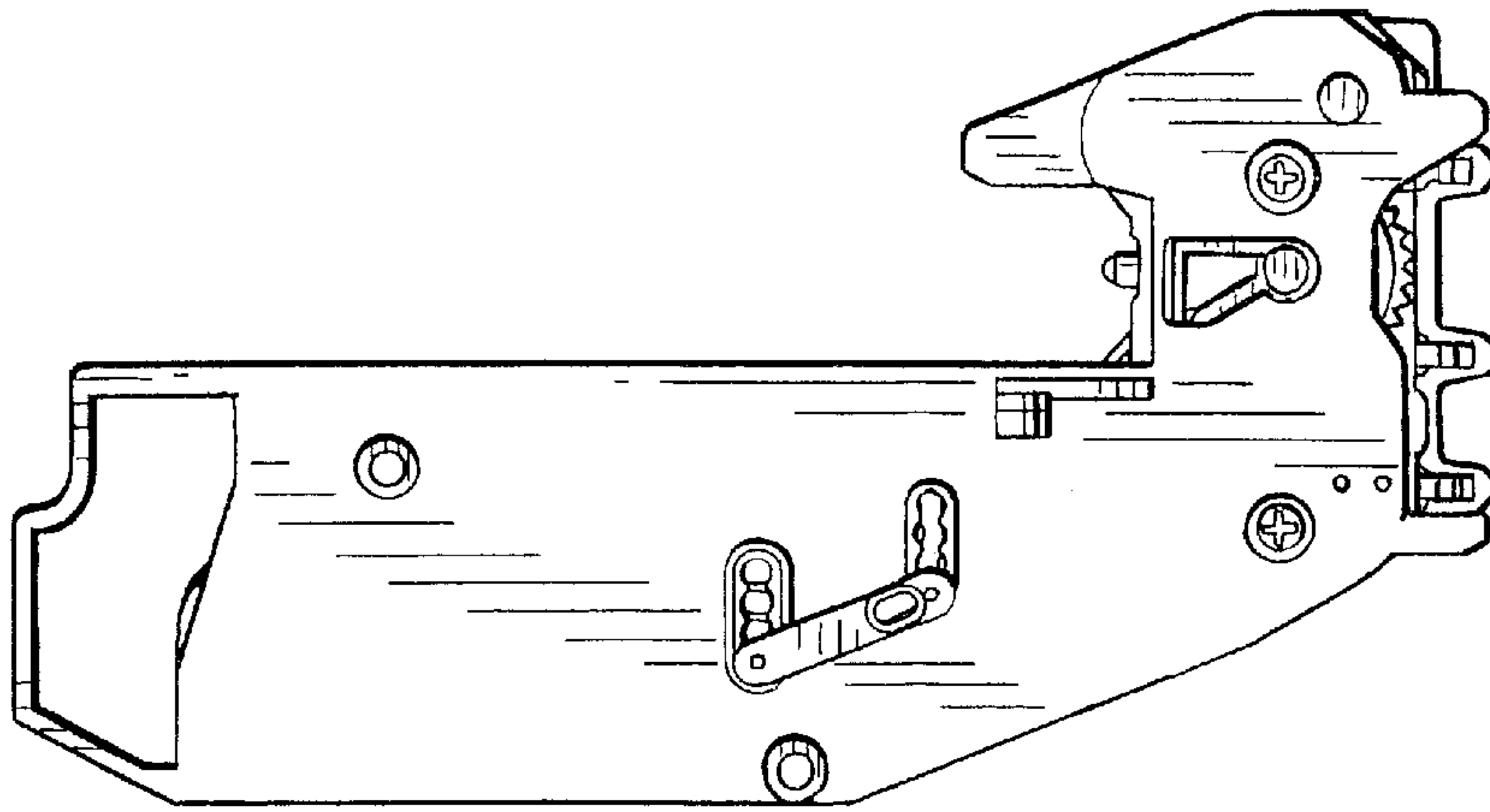


FIG. 6

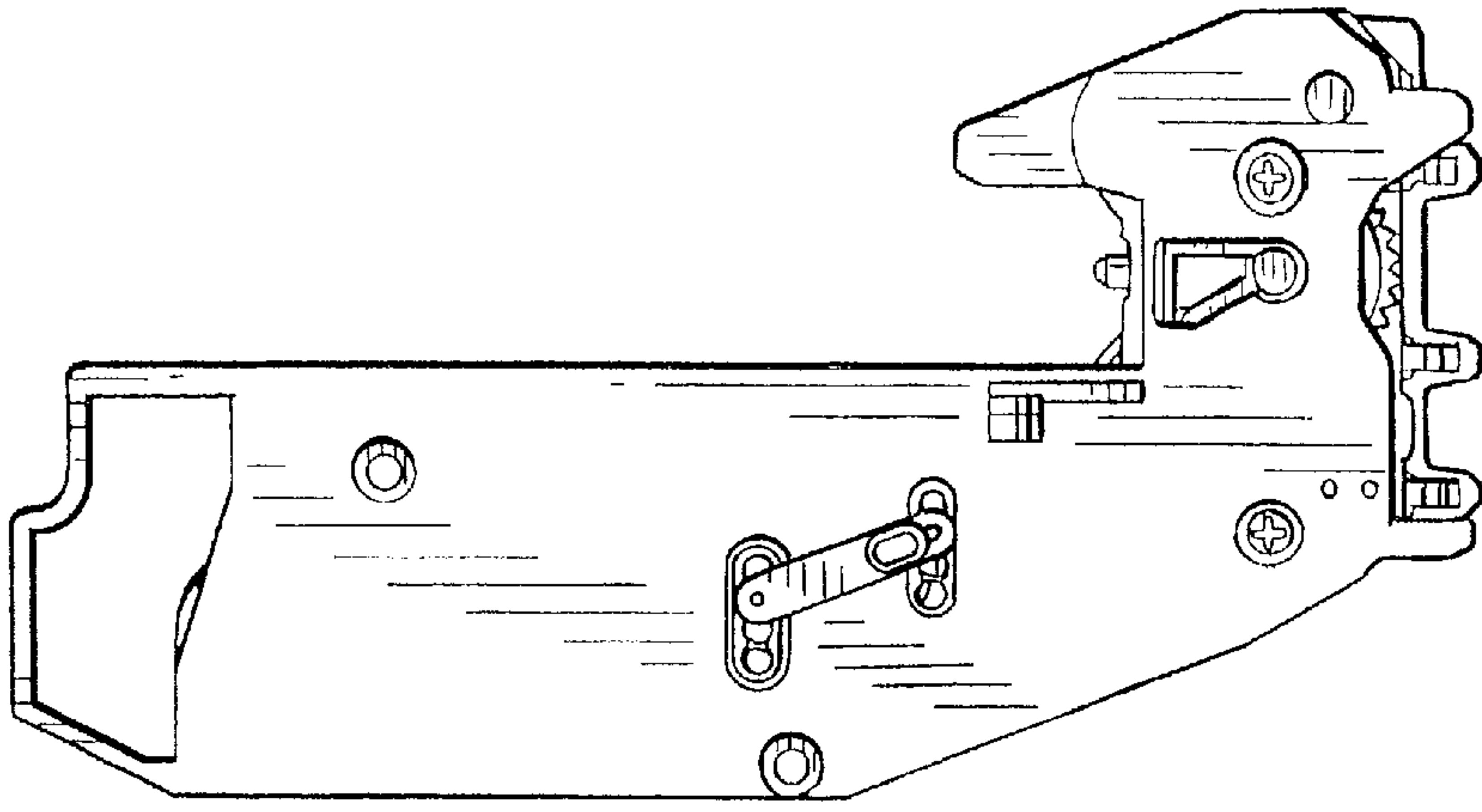


FIG. 9

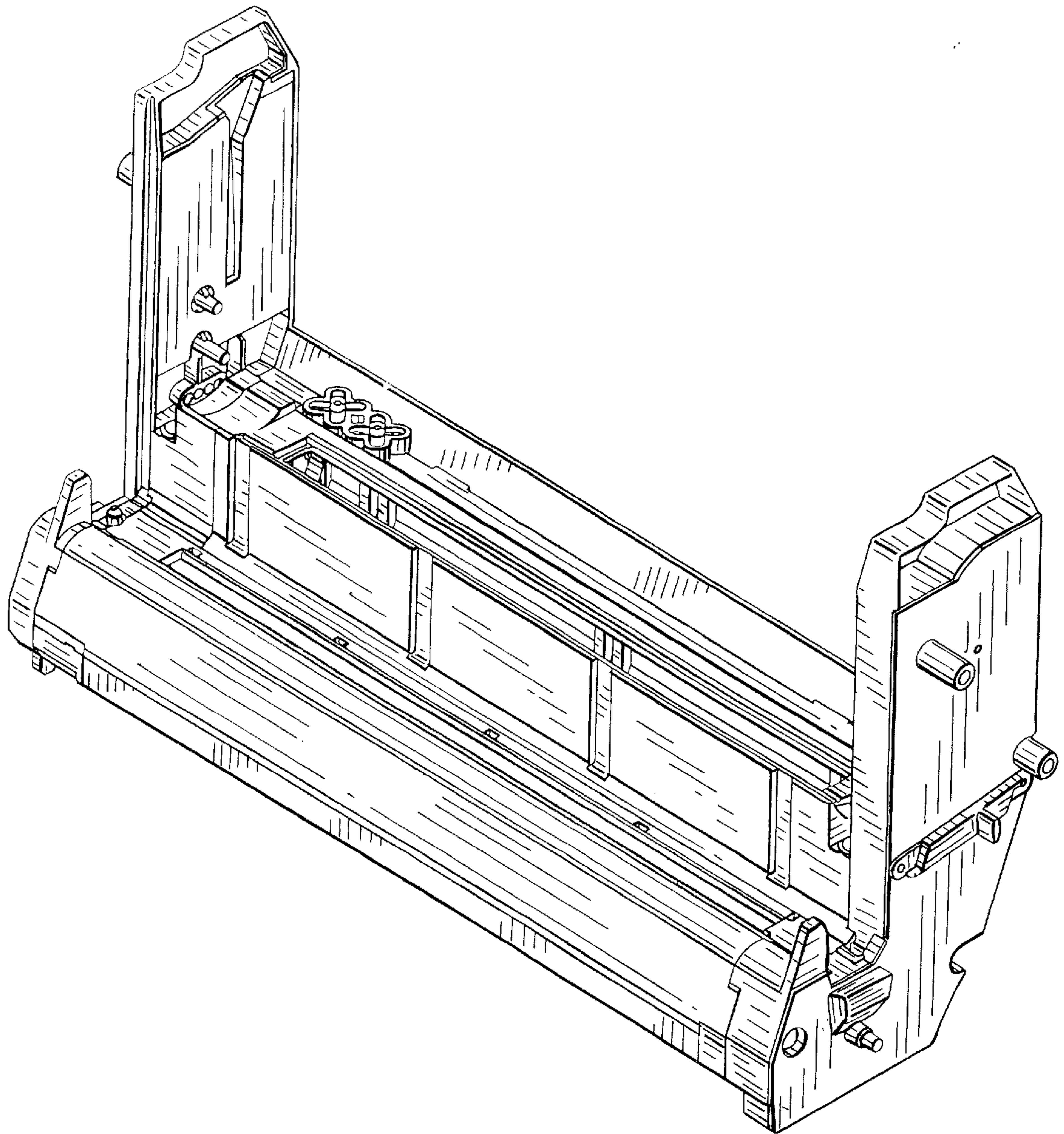


FIG. 7

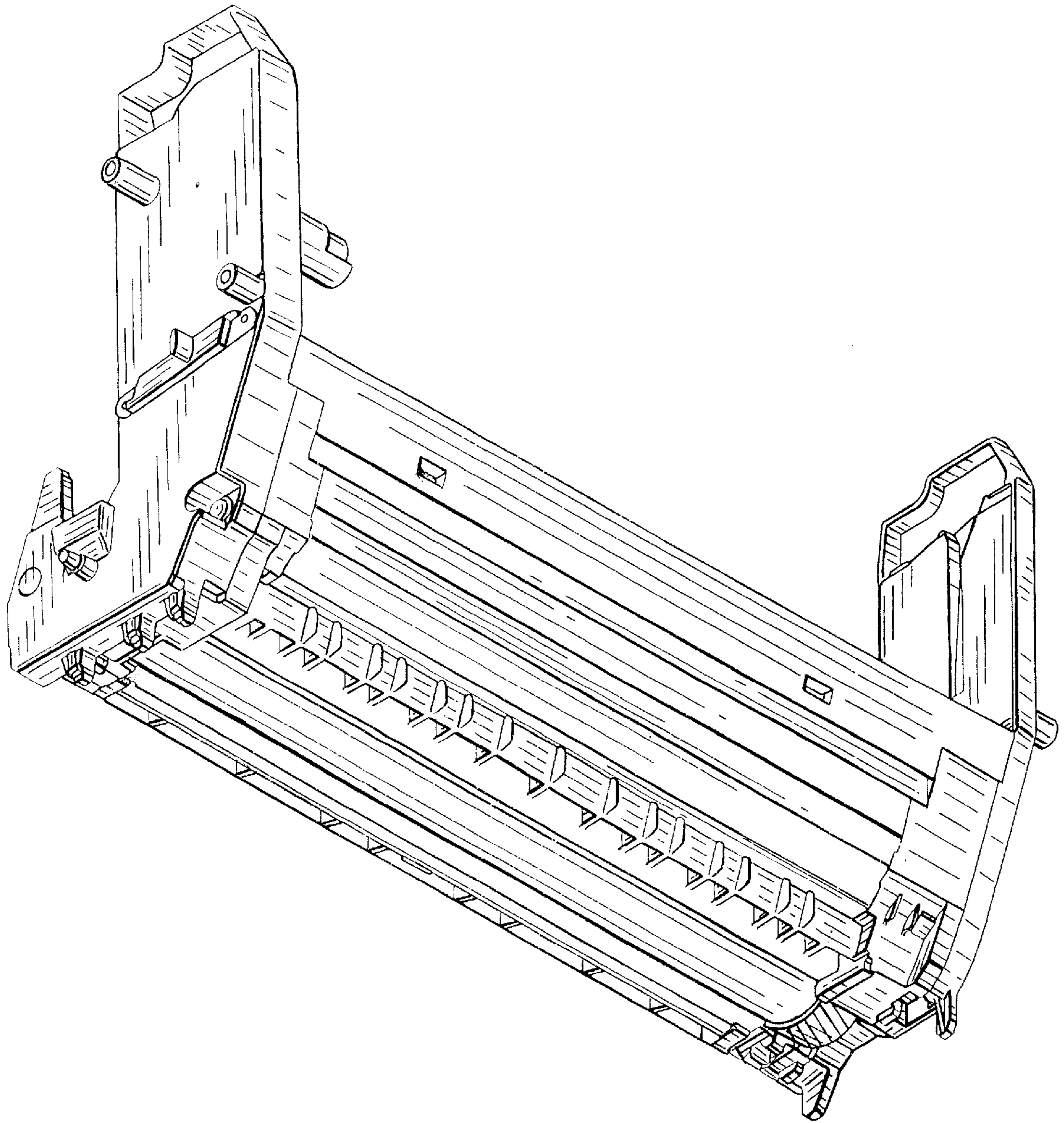


FIG. 8