



US00D462378S

(12) **United States Design Patent**  
**Hattori**

(10) **Patent No.:** **US D462,378 S**

(45) **Date of Patent:** **\*\* Sep. 3, 2002**

- (54) **TAPE PRINTING MACHINE**
- (75) Inventor: **Satoru Hattori**, Nagoya (JP)
- (73) Assignee: **Brother Industries, Ltd.**, Aichi-ken (JP)
- (\*\*) Term: **14 Years**
- (21) Appl. No.: **29/152,126**
- (22) Filed: **Dec. 18, 2001**
- (30) **Foreign Application Priority Data**  
Jun. 25, 2001 (JP) ..... 2001-018319
- (51) **LOC (7) Cl.** ..... **18-99**
- (52) **U.S. Cl.** ..... **D18/19; D18/50**
- (58) **Field of Search** ..... D18/50, 14, 15, D18/18, 19, 99; 400/62, 63, 611, 83, 194, 618, 208, 223, 242, 247, 615.2, 76, 602, 708; 101/288, 219, 226-228, 66; D14/341, 346; 707/517, 527, 529, 542; D19/65; 156/384, 348; 347/192

- 4,996,539 A \* 2/1991 Haraga et al. .... 347/192
- D350,150 S \* 8/1994 Weitkamp ..... D18/50
- 5,336,003 A \* 8/1994 Nagashima et al. .... 400/708
- D362,673 S \* 9/1995 Yamamoto ..... D18/19
- 6,231,253 B1 \* 5/2001 Henderson et al. .... 400/618
- 6,241,407 B1 \* 6/2001 Huggins et al. .... 400/611

\* cited by examiner

*Primary Examiner*—Martie K. Holtje

(74) *Attorney, Agent, or Firm*—Oliff & Berridge, PLC

(57) **CLAIM**

The ornamental design for tape printing machine, as shown and described.

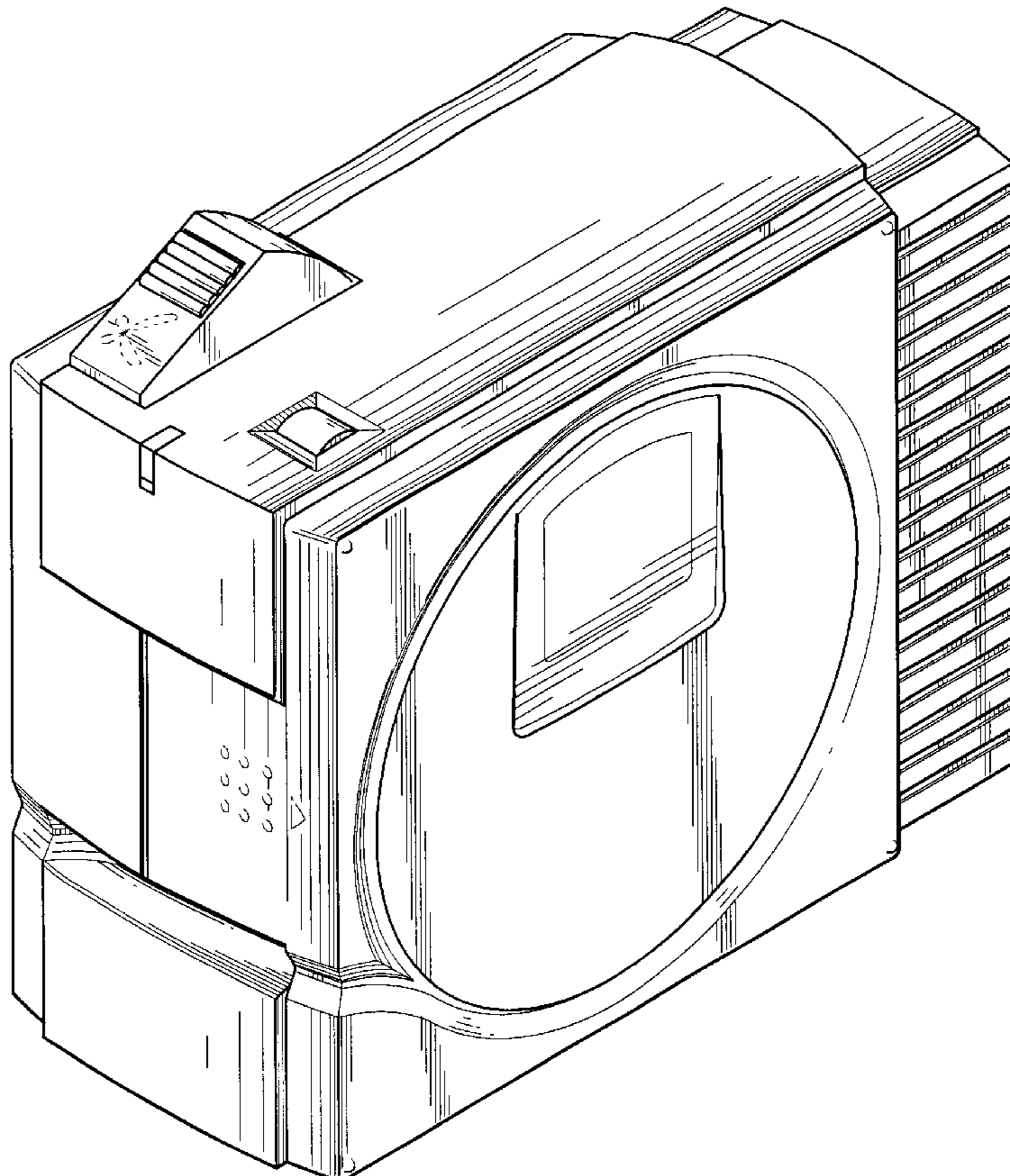
**DESCRIPTION**

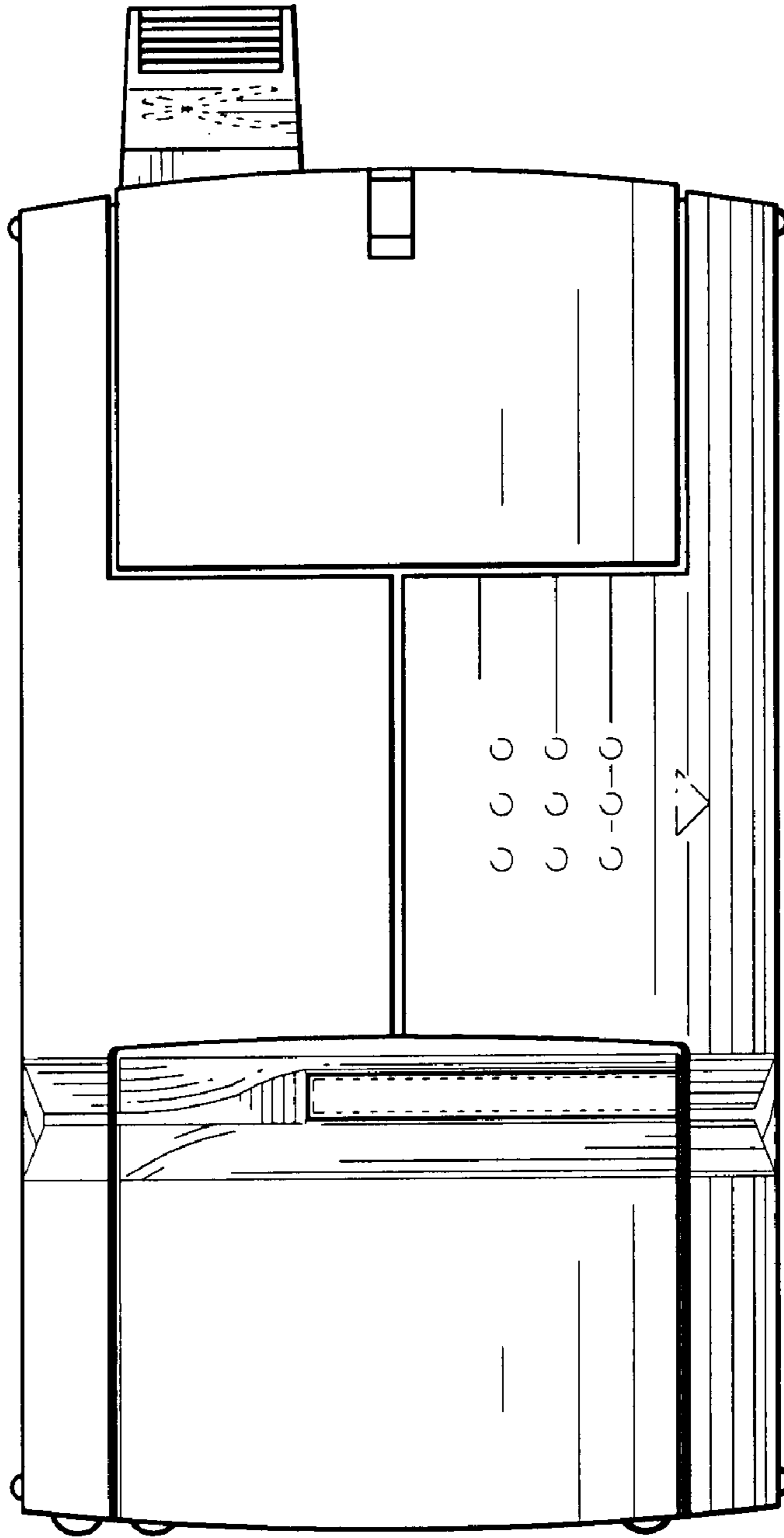
FIG. 1 is a front view a tape printing machine, FIG. 2 is a rear view thereof, FIG. 3 is a left side view thereof, FIG. 4 is a right side view thereof, FIG. 5 is a top view thereof, FIG. 6 is a bottom view thereof; and, FIG. 7 is a perspective thereof.

The structure depicted by means of broken lines in the figures has been shown for illustrative purposes only and forms no part of the claimed design.

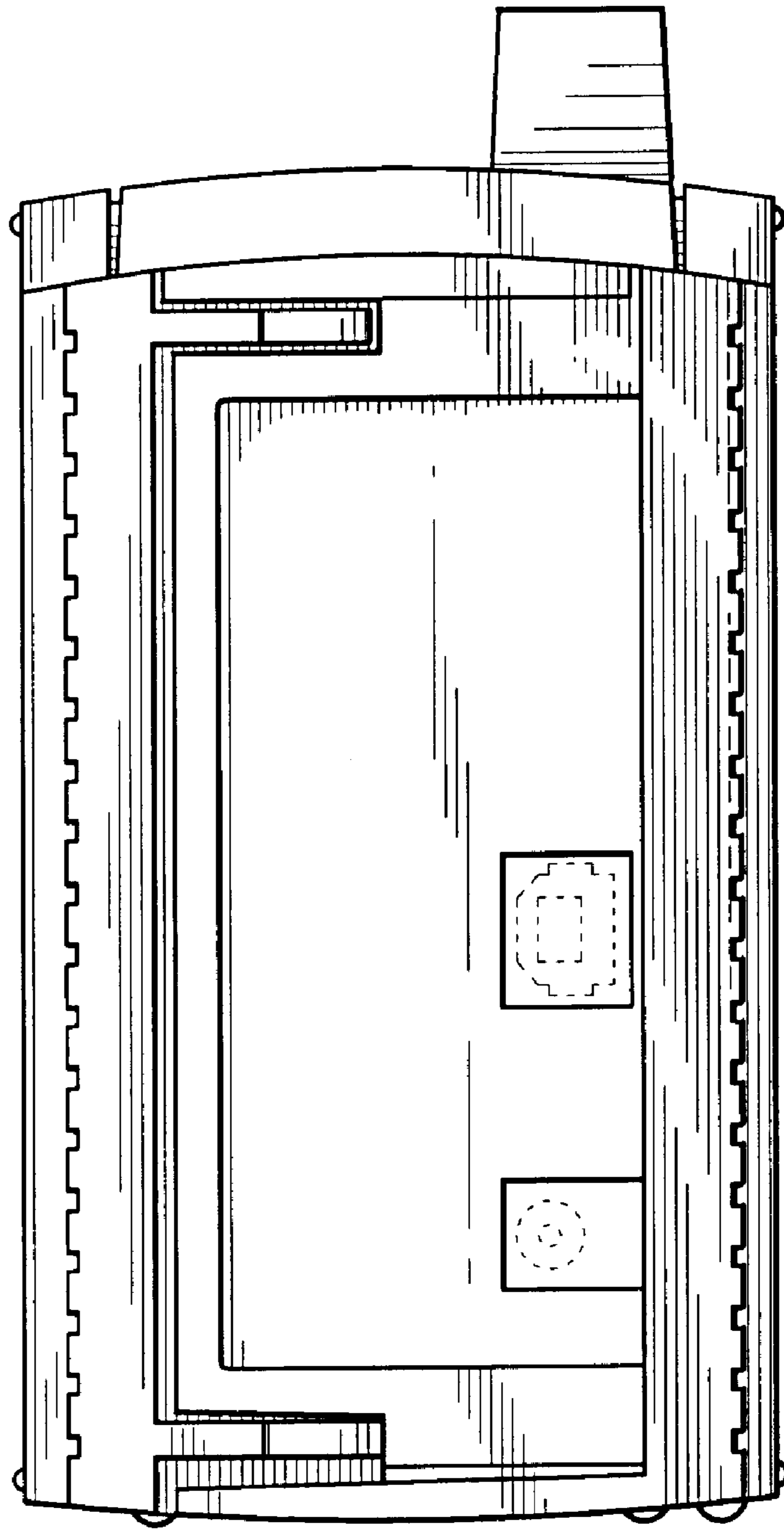
- (56) **References Cited**  
U.S. PATENT DOCUMENTS  
D249,981 S \* 10/1978 Karp ..... D18/19

**1 Claim, 6 Drawing Sheets**

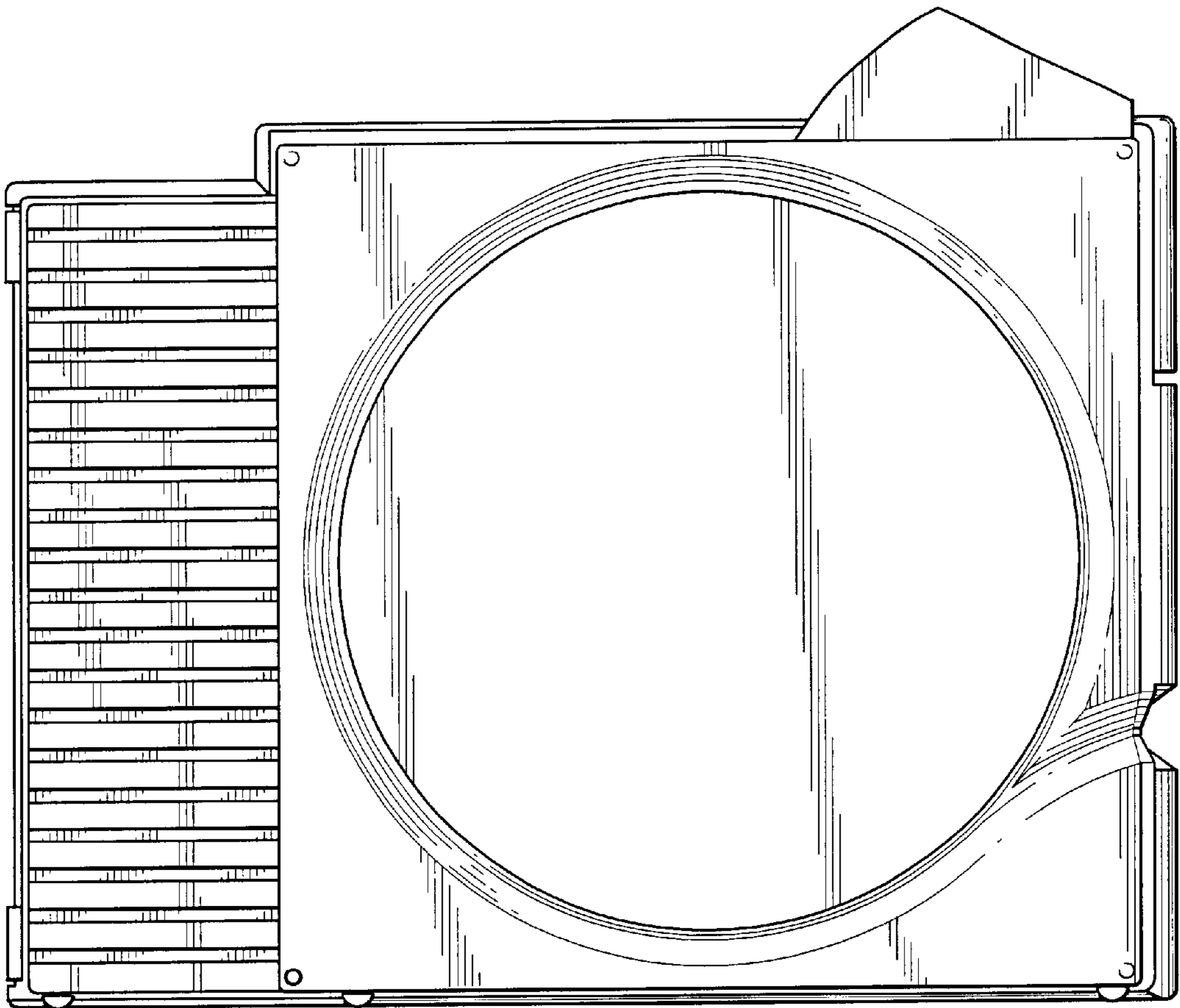




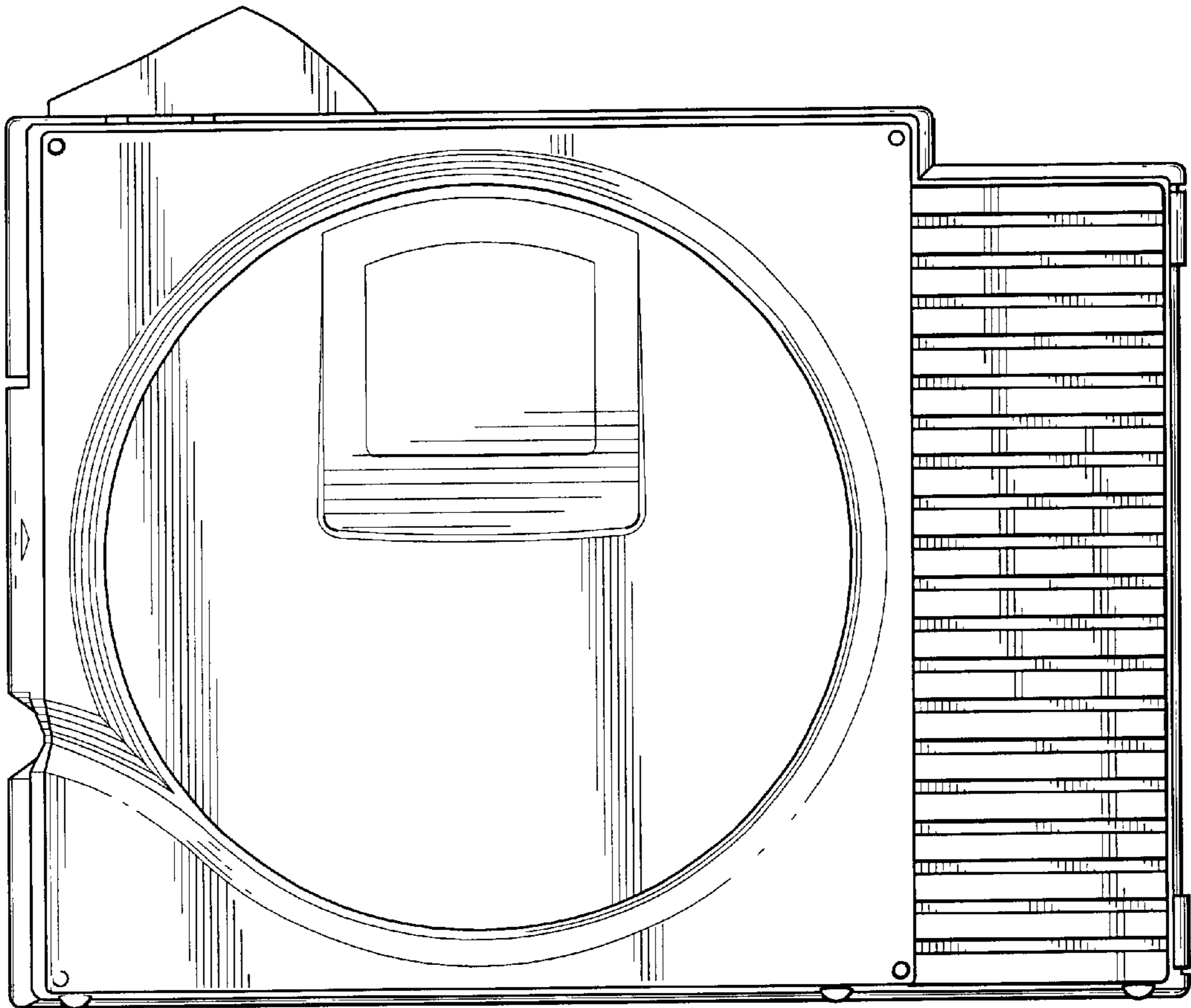
*Fig. 1*



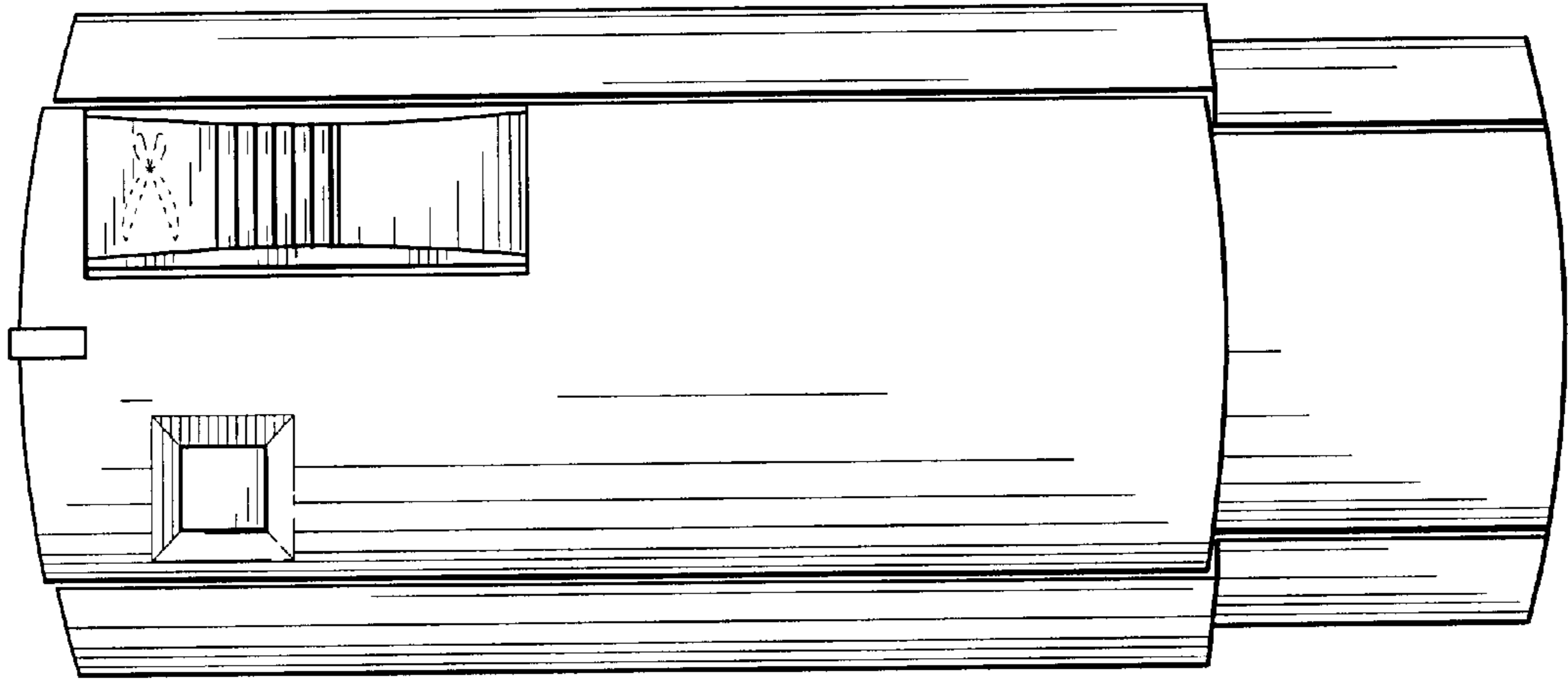
*Fig. 2*



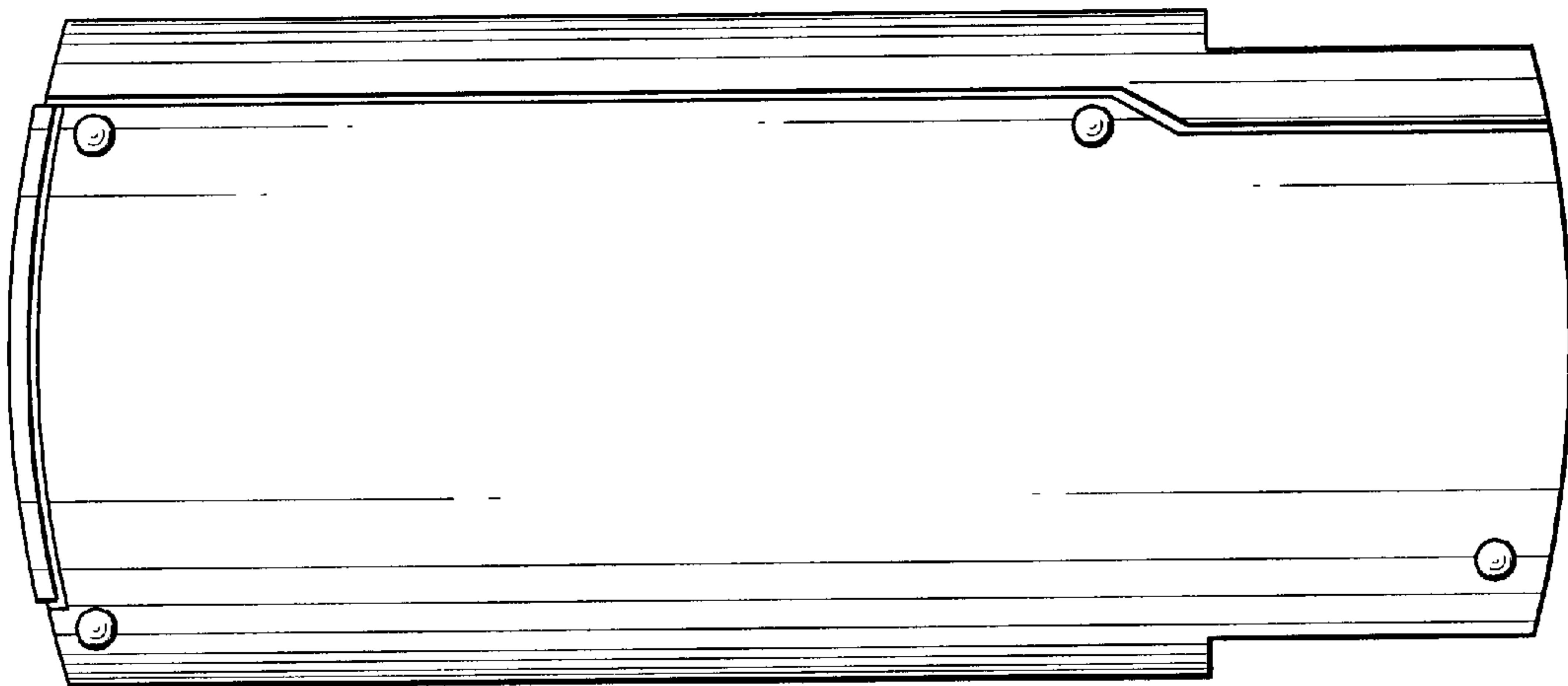
*Fig. 3*



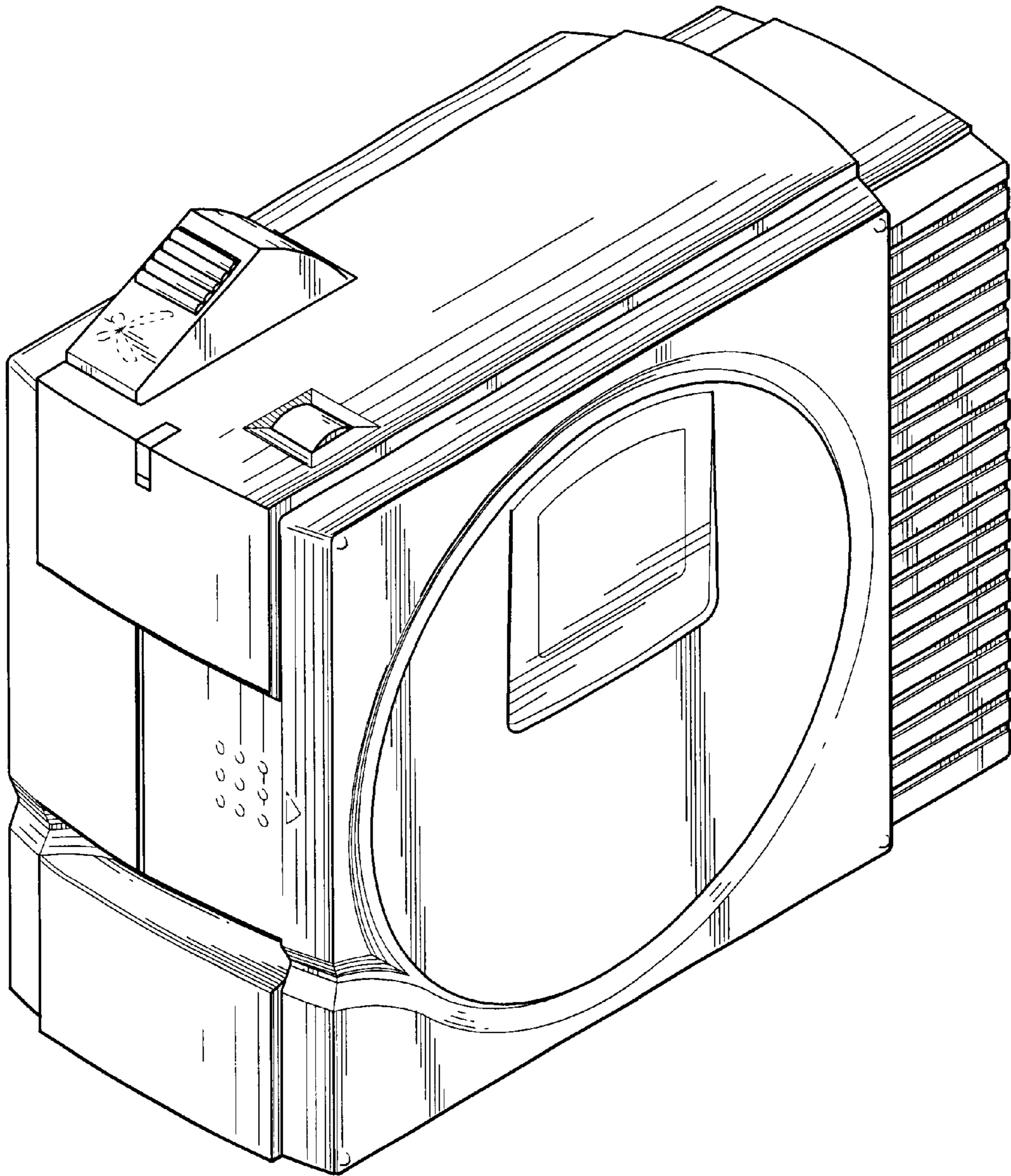
*Fig. 4*



*Fig. 5*



*Fig. 6*



*Fig. 7*