



US00D462371S

(12) **United States Design Patent**  
**Hamamura**

(10) **Patent No.: US D462,371 S**

(45) **Date of Patent: \*\* Sep. 3, 2002**

(54) **DIGITAL CAMERA**

D447,161 S \* 8/2001 Alvarez et al. .... D16/202

(75) Inventor: **Toshihiro Hamamura**, Tokyo (JP)

**OTHER PUBLICATIONS**

(73) Assignee: **Asahi Kogaku Kogyo Kabushiki Kaisha**, Tokyo (JP)

Global Sources webpage, Sep. 2001 (Dimera 350 C digital camera).\*

(\*\*) Term: **14 Years**

\* cited by examiner

(21) Appl. No.: **29/150,220**

*Primary Examiner*—Adir Aronovich  
(74) *Attorney, Agent, or Firm*—Sughrue Mion, PLLC

(22) Filed: **Nov. 14, 2001**

(57) **CLAIM**

(30) **Foreign Application Priority Data**

The ornamental design for a digital camera, as shown and described.

May 21, 2001 (JP) ..... 2001-014450

**DESCRIPTION**

(51) **LOC (7) Cl.** ..... **16-01**

(52) **U.S. Cl.** ..... **D16/202; D16/218**

(58) **Field of Search** ..... D16/200–206,  
D16/208, 209, 218; 348/373–376; 358/906,  
909.1; 396/60, 535–541

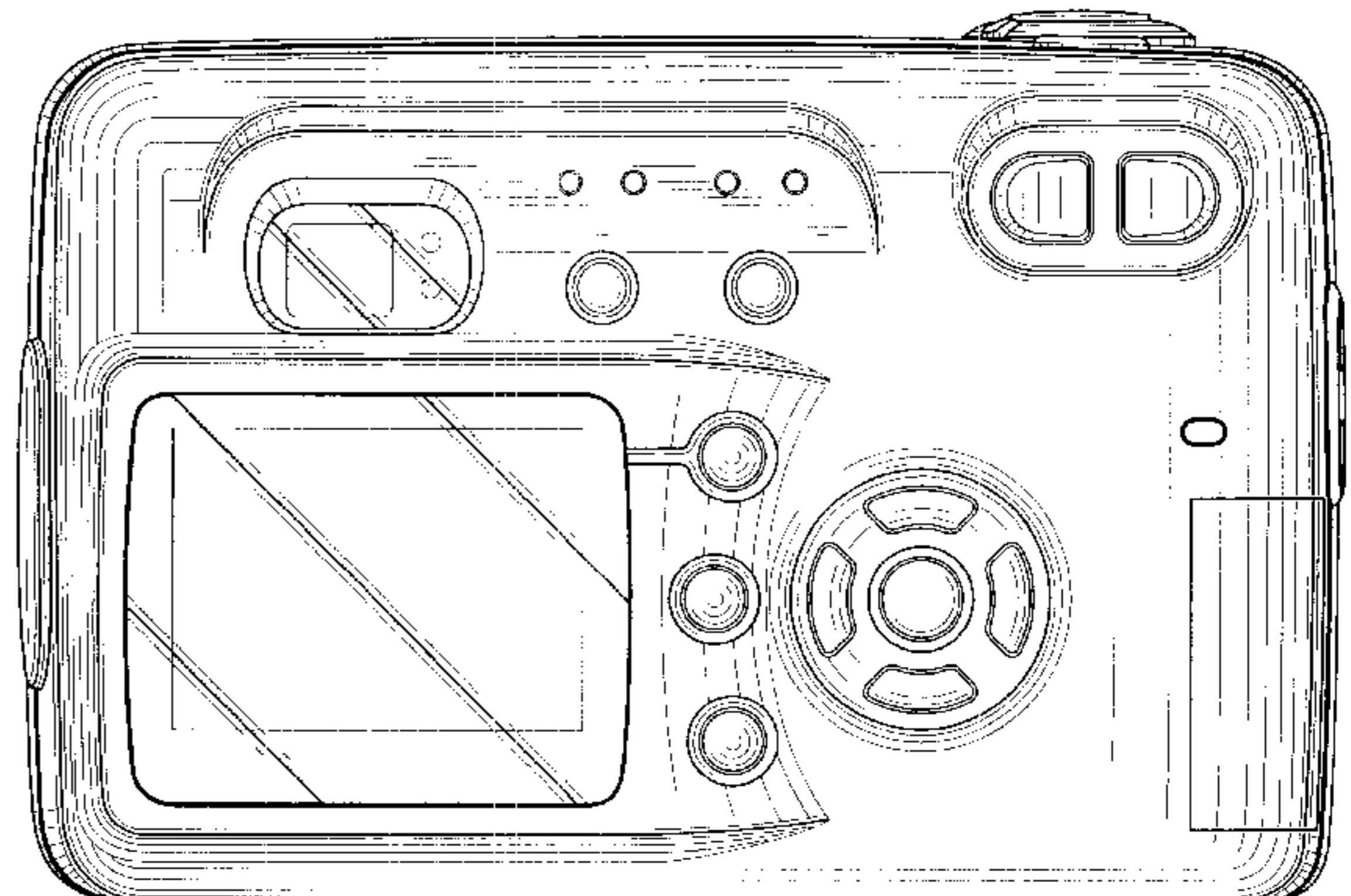
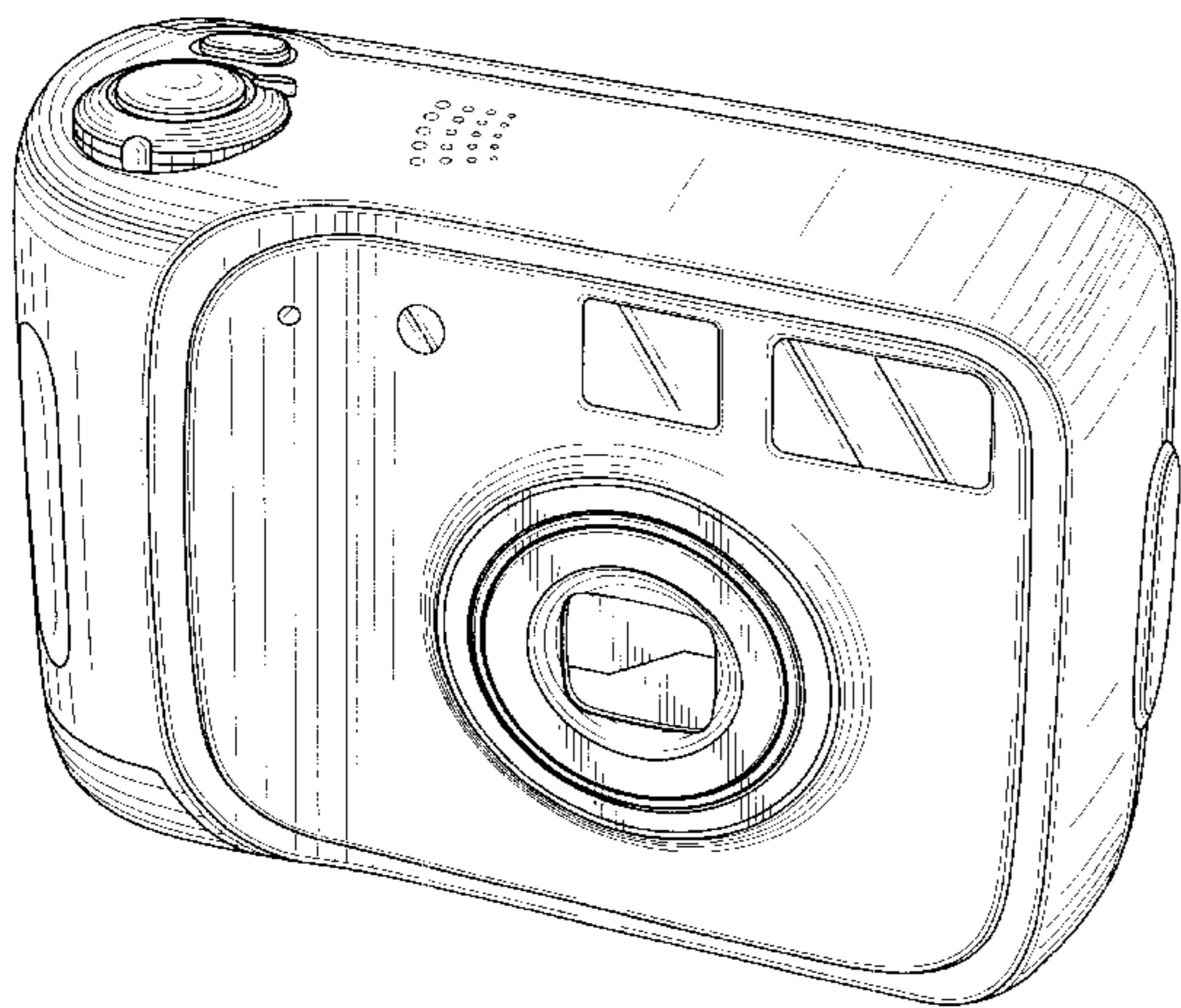
FIG. 1 is a perspective view of the top, front and right side of a digital camera showing my new design;  
FIG. 2 is a front elevational view thereof;  
FIG. 3 is a top plan view thereof;  
FIG. 4 is a left side elevational view thereof;  
FIG. 5 is a right side elevational view thereof;  
FIG. 6 is a rear elevational view thereof;  
FIG. 7 is a bottom plan view thereof; and,  
FIG. 8 is a perspective view similar to FIG. 1 with the lens extended.

(56) **References Cited**

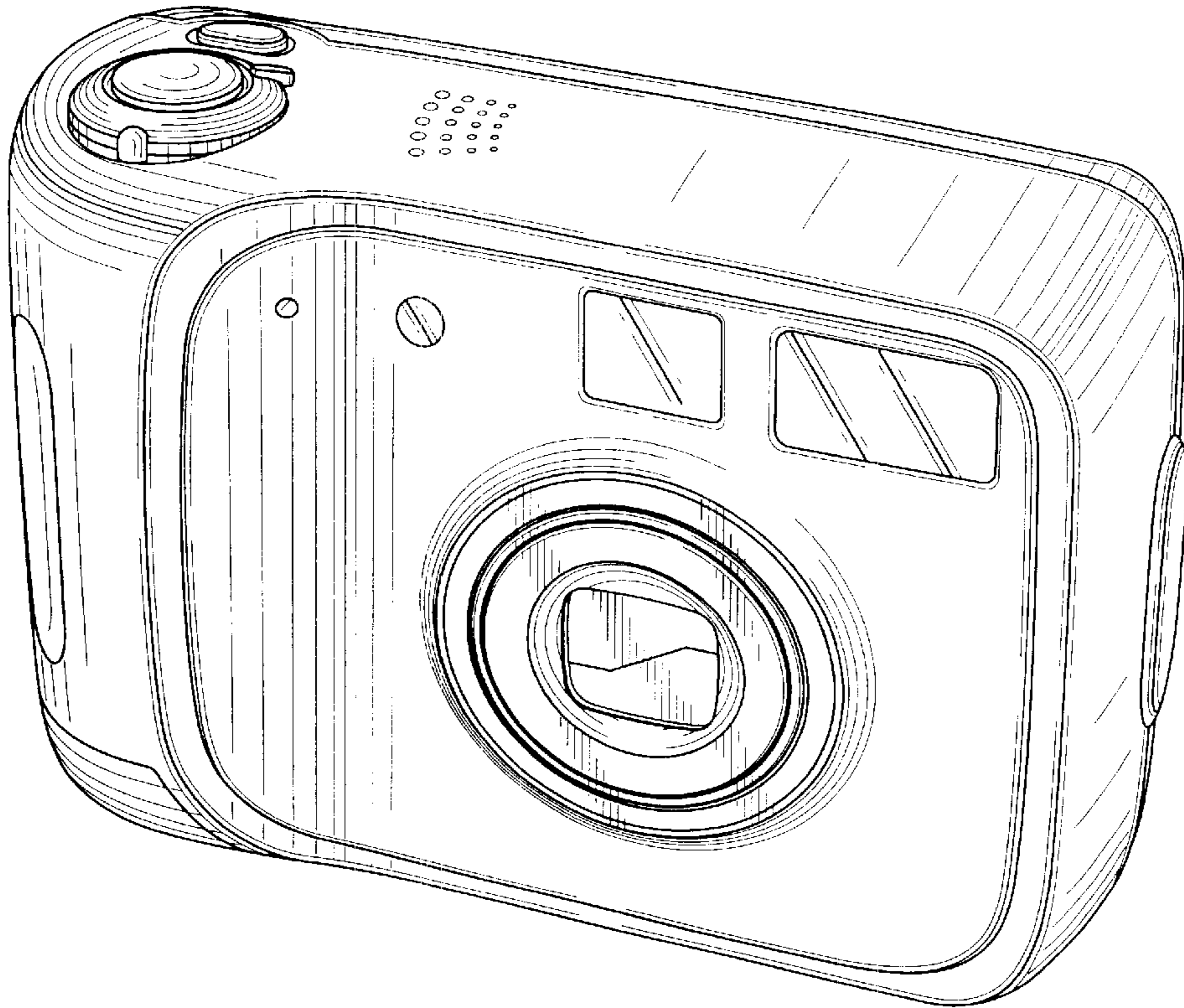
**U.S. PATENT DOCUMENTS**

- 4,924,248 A \* 5/1990 Taniguchi et al. .... 396/60
- D415,508 S \* 10/1999 Shinano ..... D16/202
- D418,851 S \* 1/2000 Goto et al. .... D16/202
- D423,031 S \* 4/2000 Shinohara et al. .... D16/202
- D431,583 S \* 10/2000 Matsuda ..... D16/202

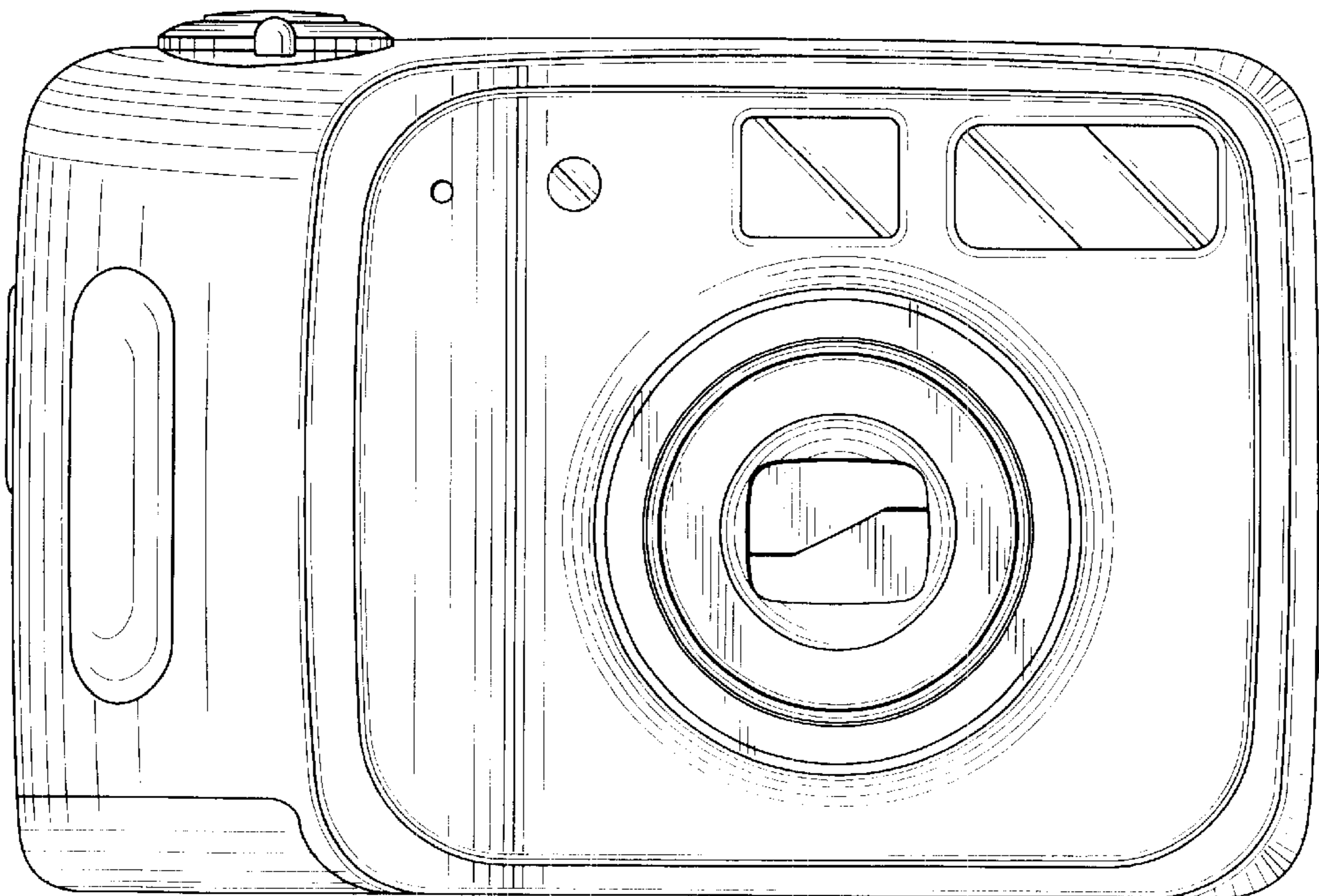
**1 Claim, 4 Drawing Sheets**



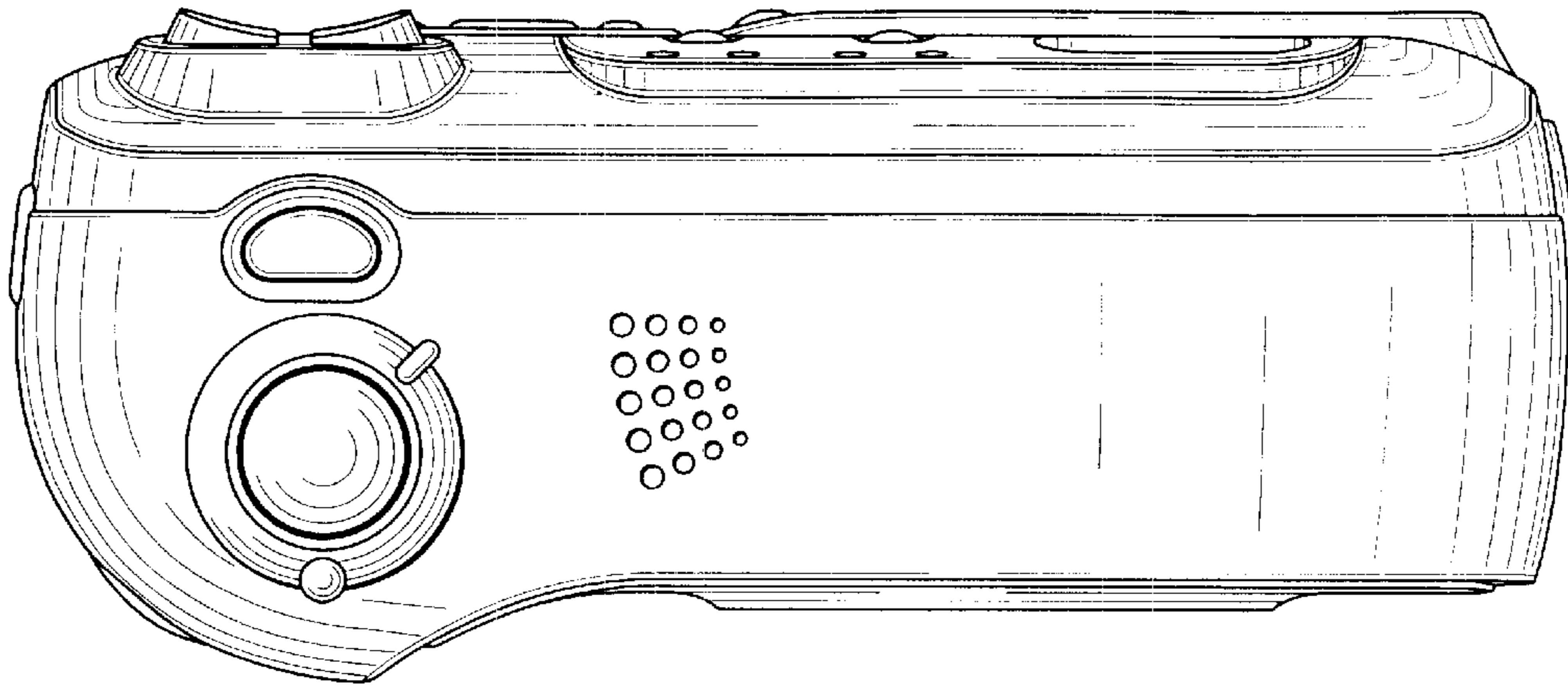
*FIG. 1*



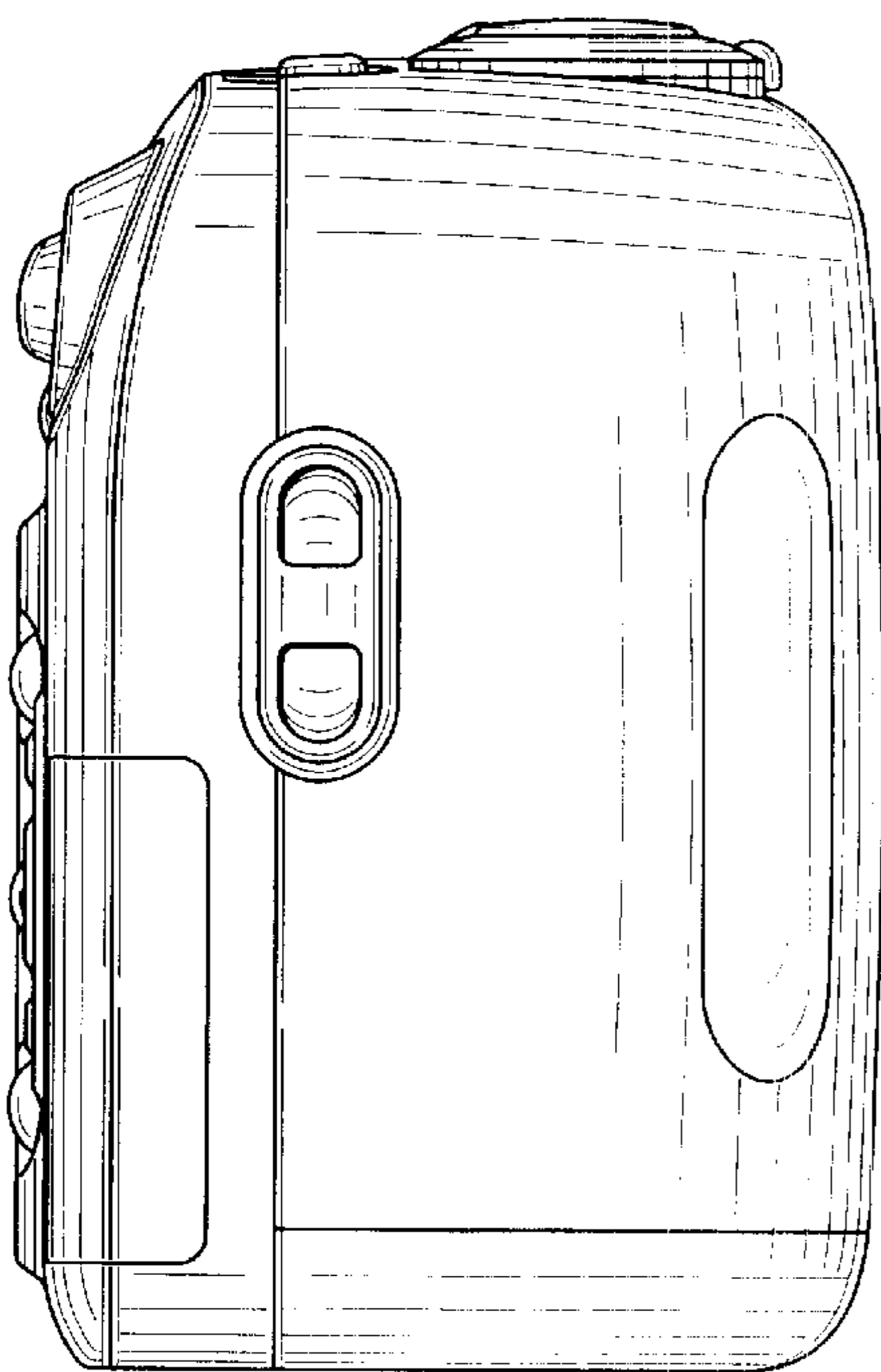
*FIG. 2*



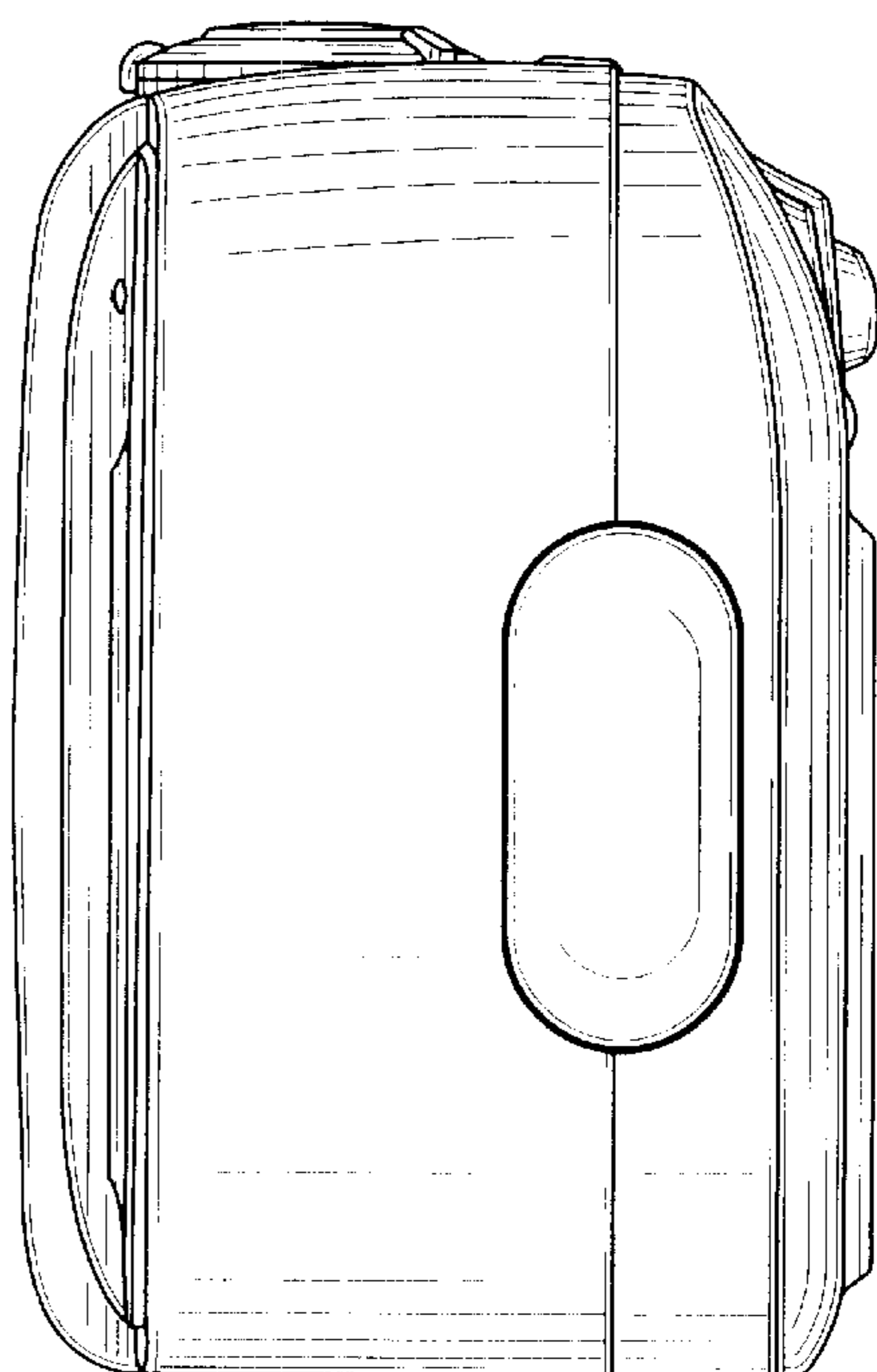
*FIG. 3*



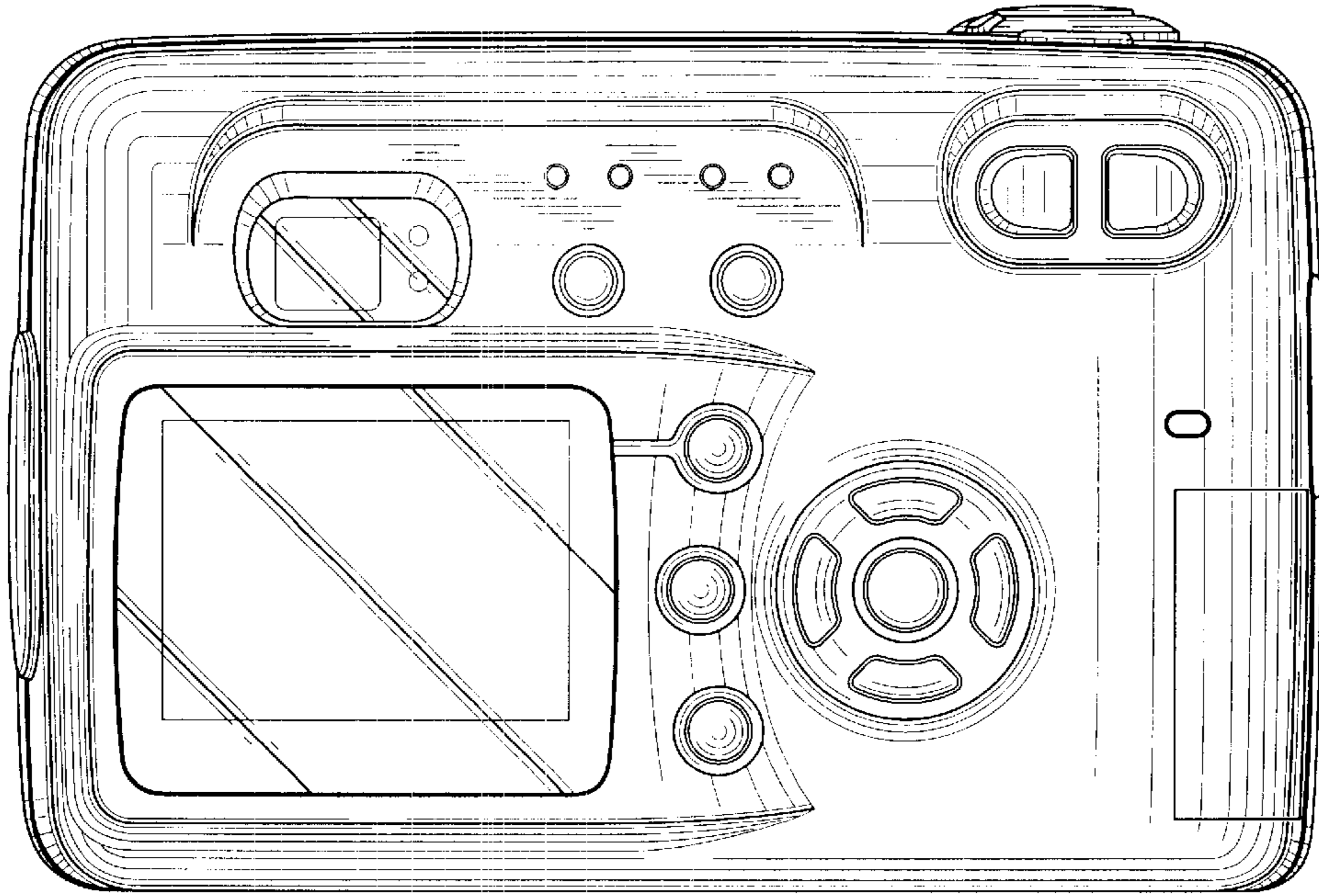
*FIG. 4*



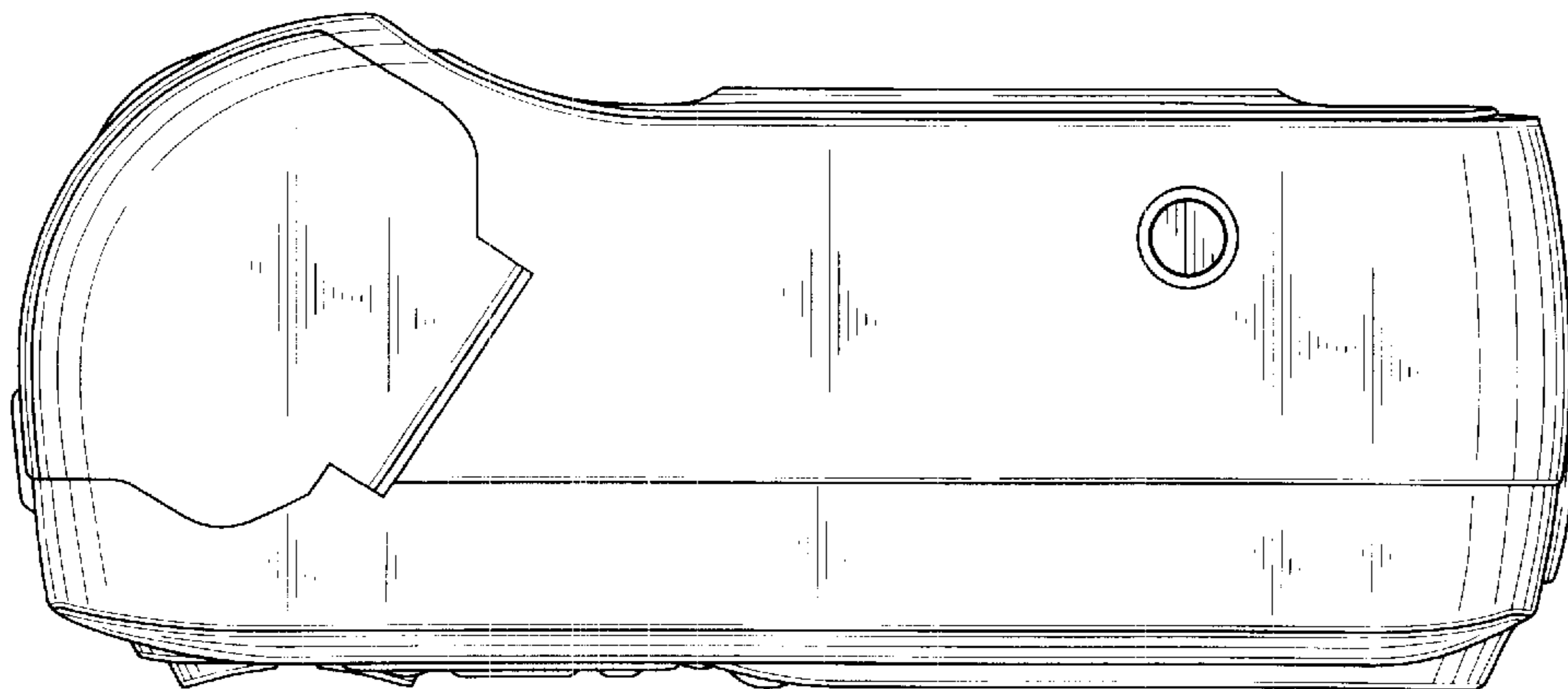
*FIG. 5*



*FIG. 6*



*FIG. 7*



*FIG. 8*

