



US00D462368S

(12) **United States Design Patent**  
**Kuroki**

(10) **Patent No.:** **US D462,368 S**

(45) **Date of Patent:** **\*\* Sep. 3, 2002**

(54) **SEWING MACHINE**

D450,721 S \* 11/2001 Kawaguchi ..... D15/69

(75) **Inventor:** **Nobuhusa Kuroki, Tokyo (JP)**

\* cited by examiner

(73) **Assignee:** **Janome Sewing Machine Co., Ltd., Tokyo (JP)**

*Primary Examiner*—Mitchell Siegel  
(74) *Attorney, Agent, or Firm*—Niels & Lemack

(\*\*) **Term:** **14 Years**

(57) **CLAIM**

The ornamental design for a sewing machine, as shown.

(21) **Appl. No.:** **29/143,173**

**DESCRIPTION**

(22) **Filed:** **Jun. 8, 2001**

(30) **Foreign Application Priority Data**

Feb. 1, 2001 (JP) ..... 2001-002241

(51) **LOC (7) Cl.** ..... **15-06**

(52) **U.S. Cl.** ..... **D15/69**

(58) **Field of Search** ..... D15/69-71; 112/63,  
112/258-261, 217.1-219.4, 444

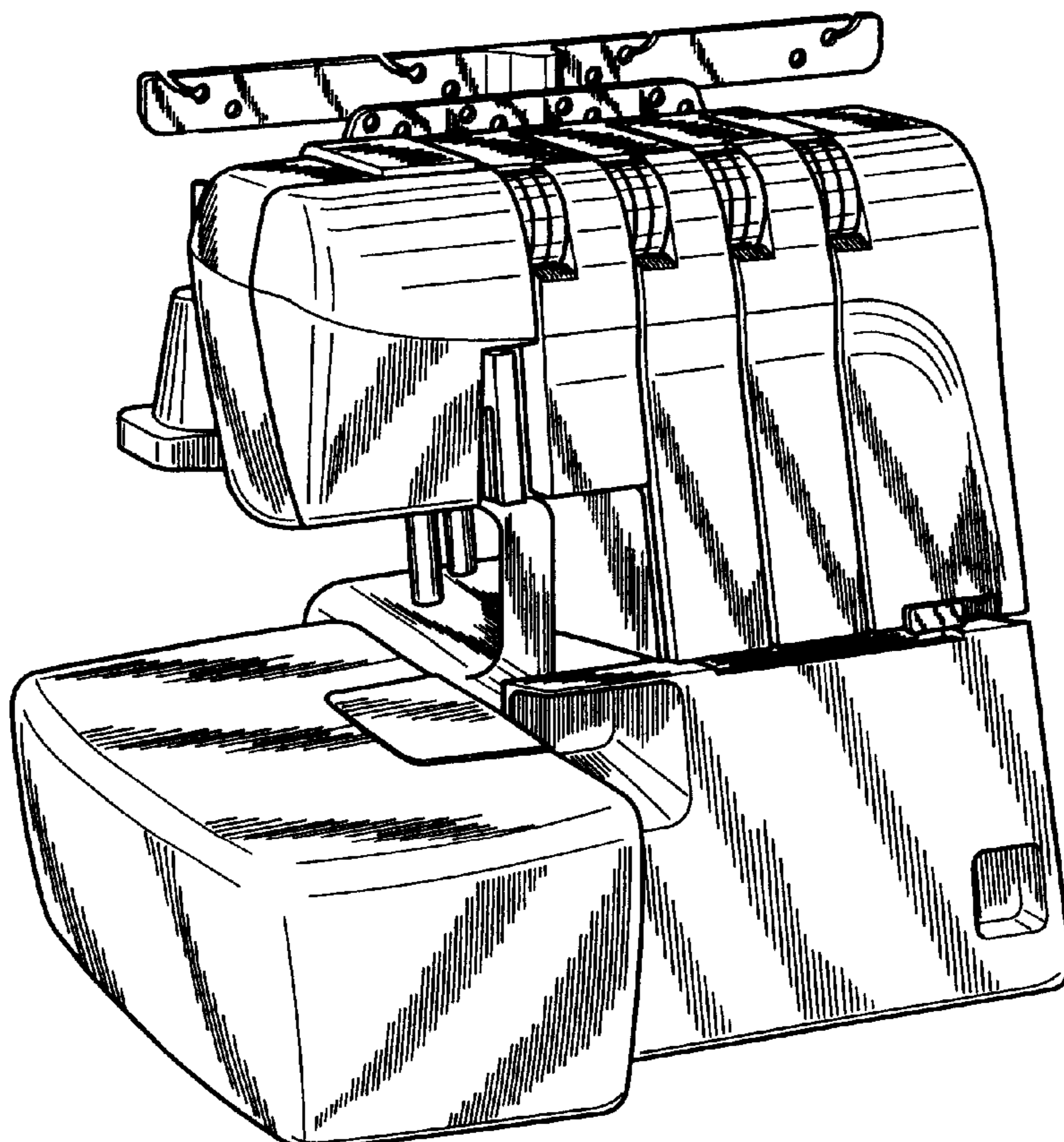
FIG. 1 is a perspective view from a forward angle of the sewing machine of the present invention;  
FIG. 2 is a perspective view from a rear angle of the sewing machine of the present invention;  
FIG. 3 is a top view of the sewing machine of the present invention;  
FIG. 4 is a side view from a first side of the sewing machine of the present invention;  
FIG. 5 is a front view of the sewing machine of the present invention;  
FIG. 6 is a rear view of the sewing machine of the present invention;  
FIG. 7 is a bottom view of the sewing machine of the present invention; and,  
FIG. 8 is a side view from a second side of the sewing machine of the present invention.

(56) **References Cited**

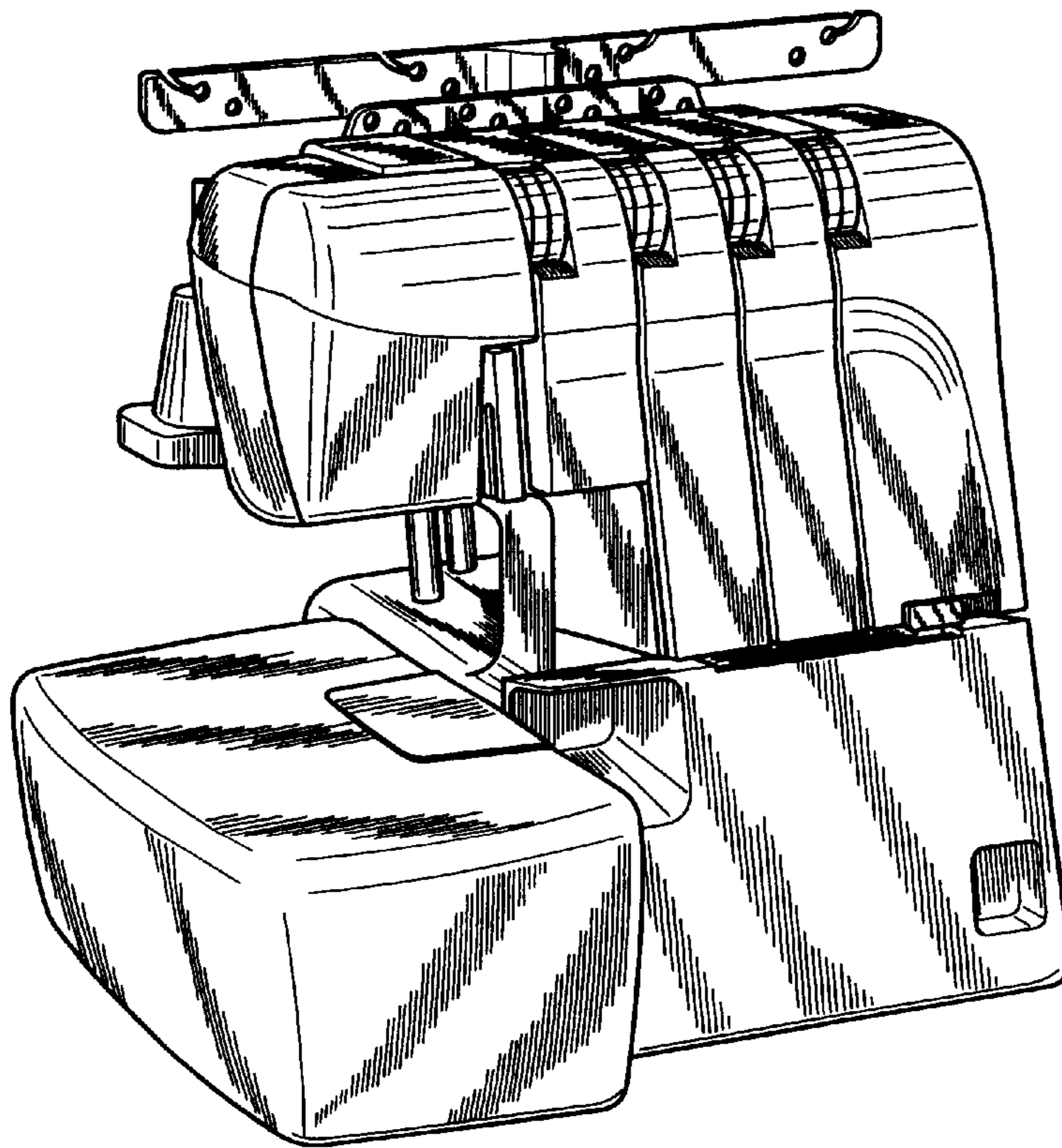
**U.S. PATENT DOCUMENTS**

- D309,739 S \* 8/1990 Itoh et al. .... D15/69
- D321,518 S \* 11/1991 Uchida ..... D15/69
- D338,021 S \* 8/1993 Uchida ..... D15/69
- D338,022 S \* 8/1993 Takada et al. .... D15/69
- D377,357 S \* 1/1997 Tseng ..... D15/69
- D392,294 S \* 3/1998 Kato et al. .... D15/69
- D404,403 S \* 1/1999 Uchida ..... D15/69

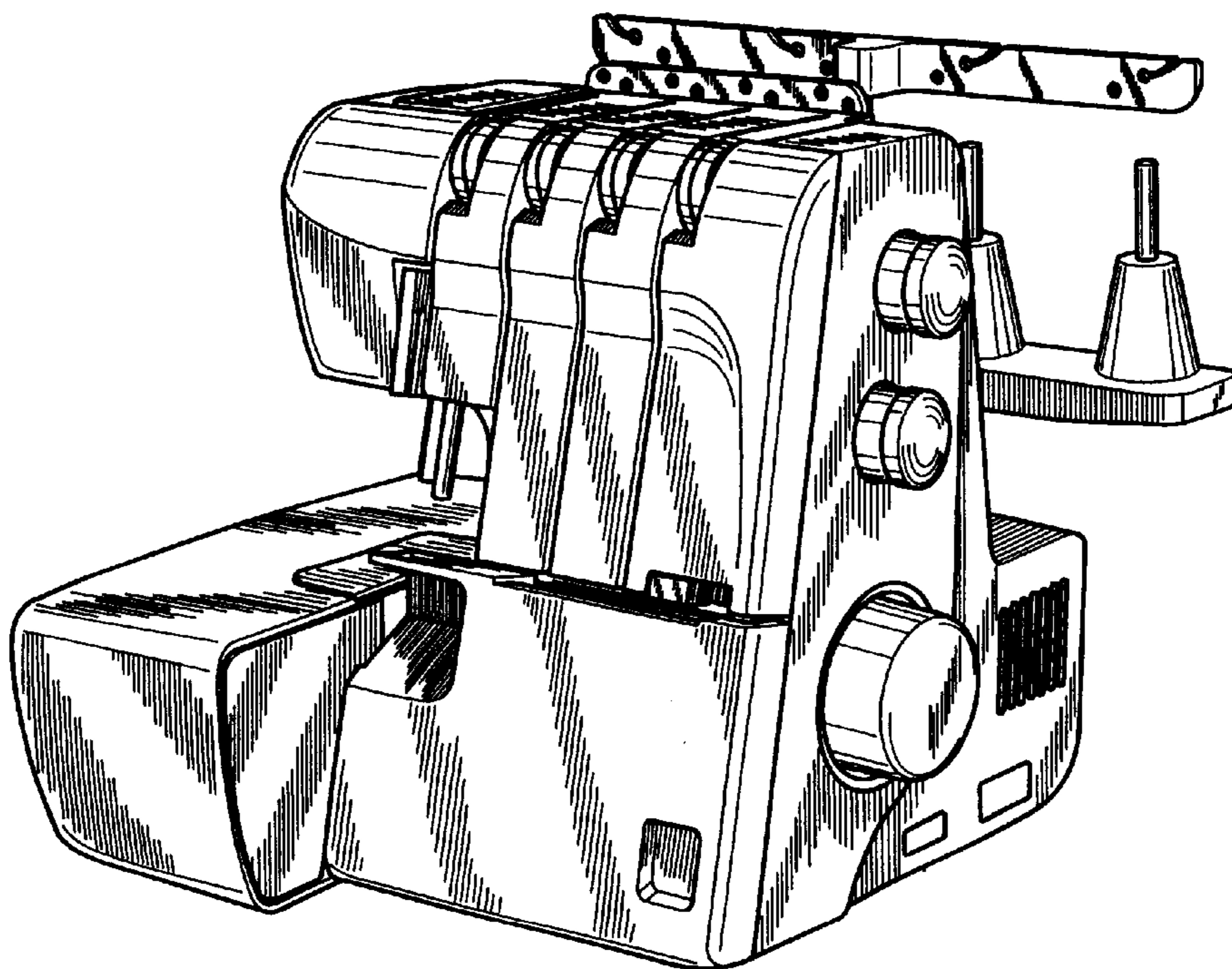
**1 Claim, 4 Drawing Sheets**



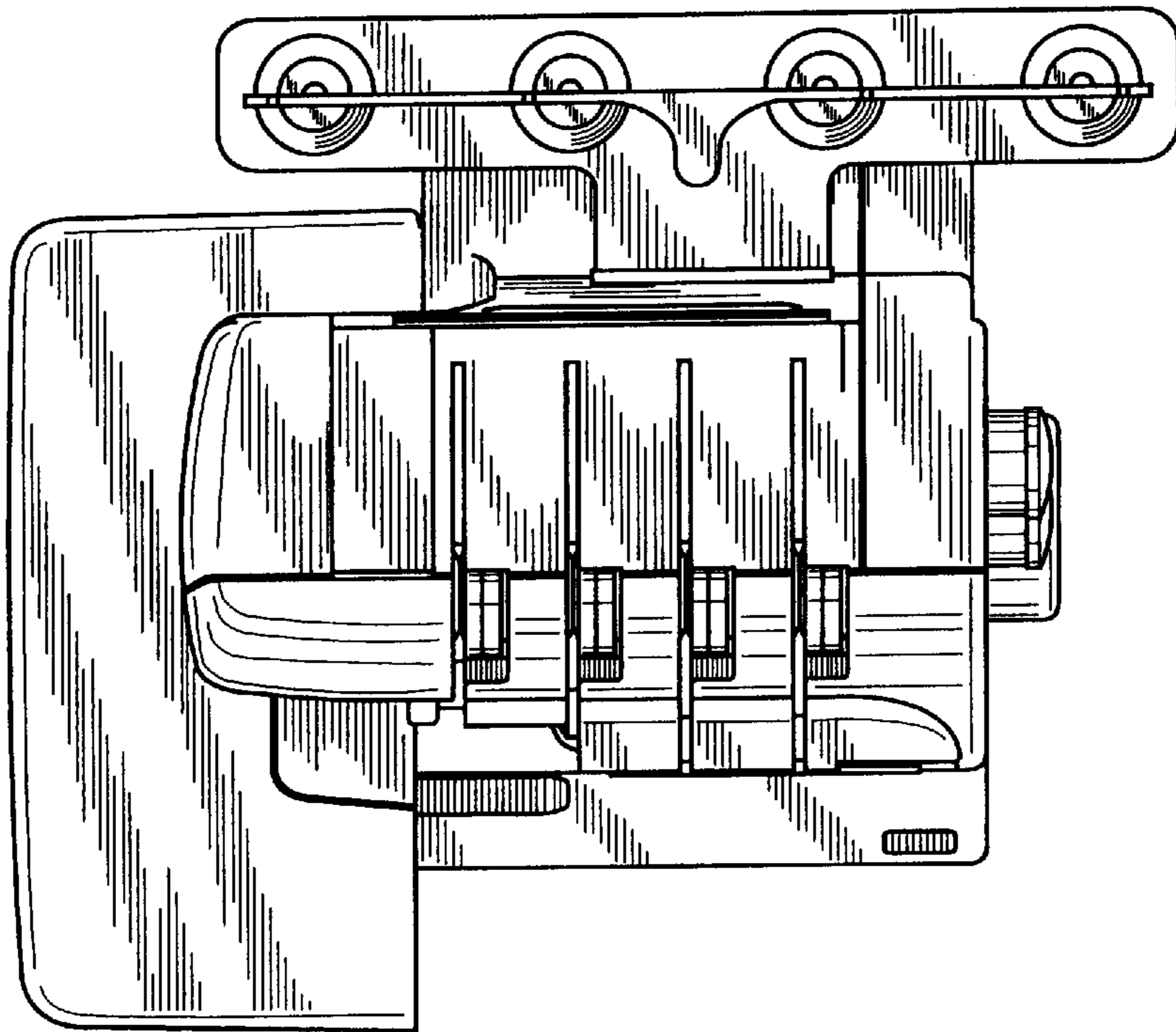
**FIG.1**



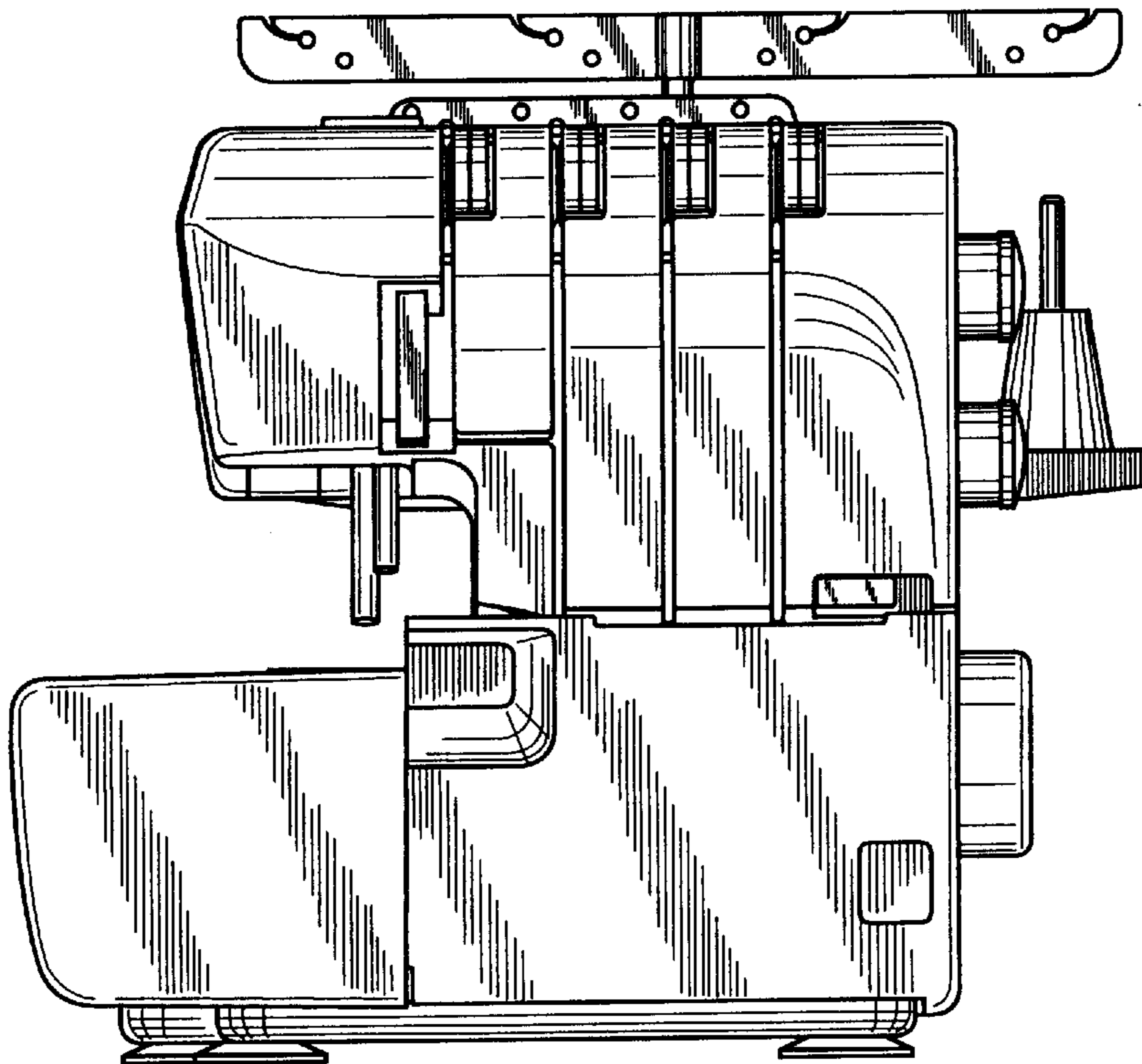
**FIG.2**



**FIG.3**

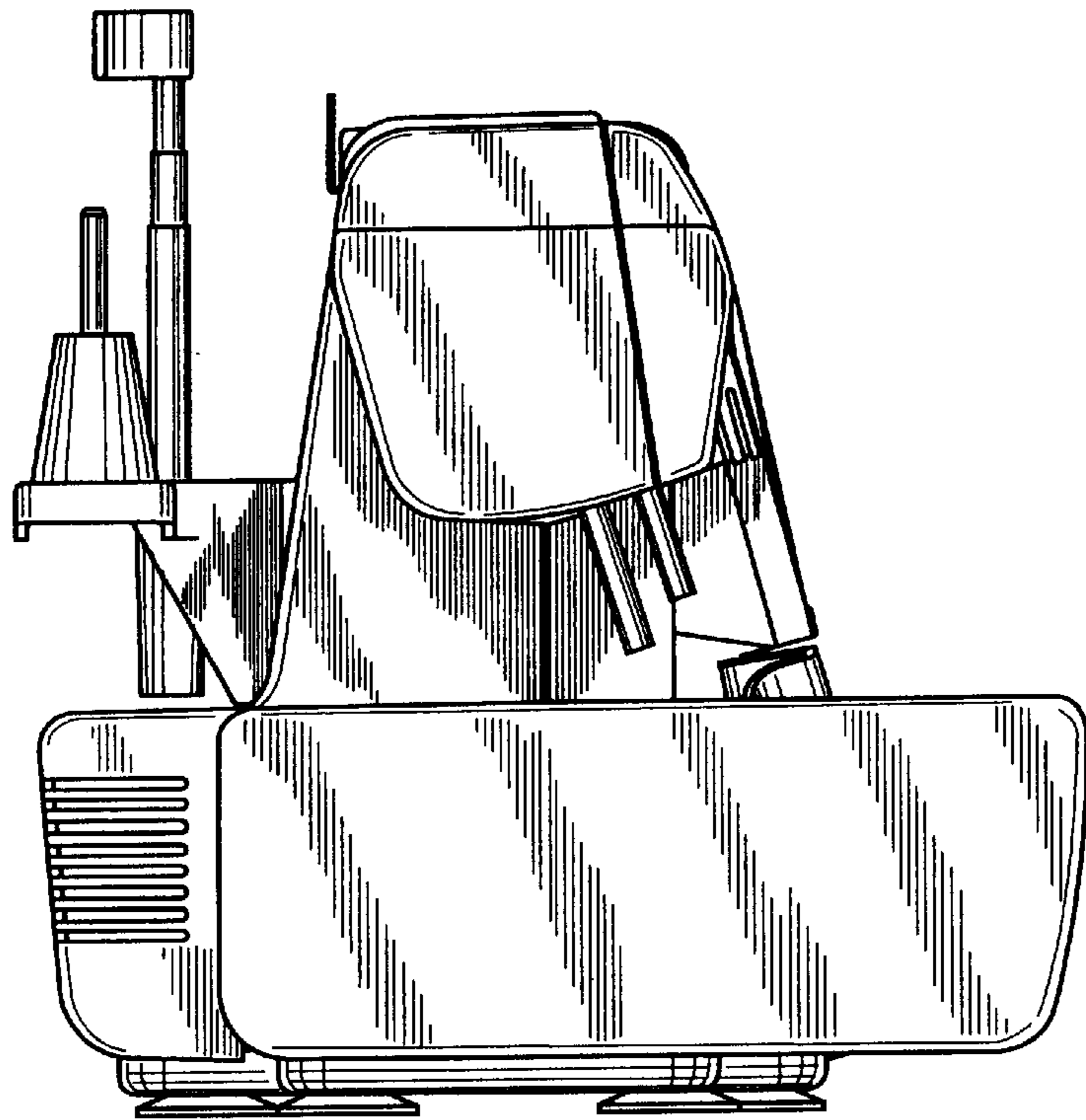


**FIG.4**

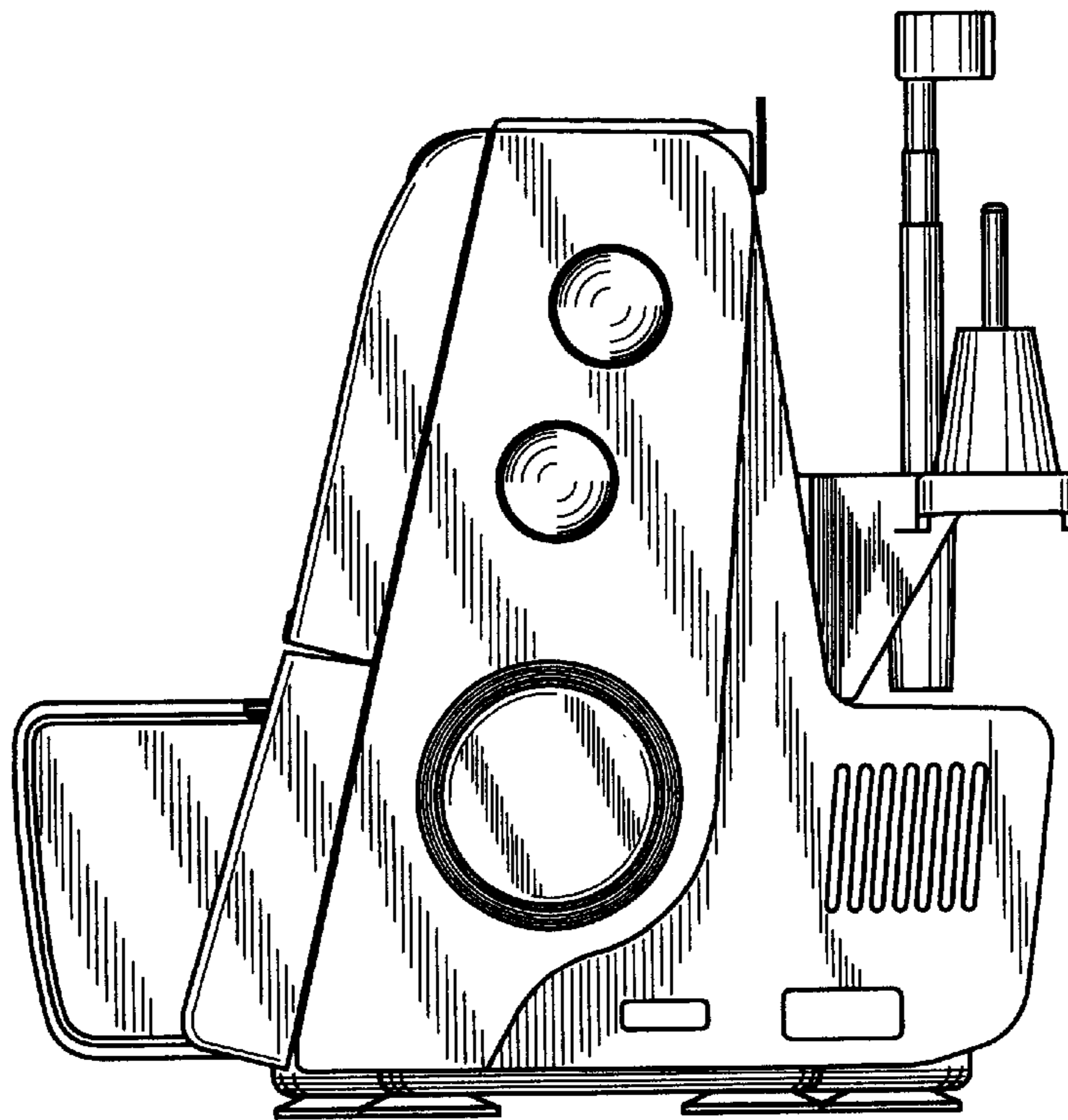




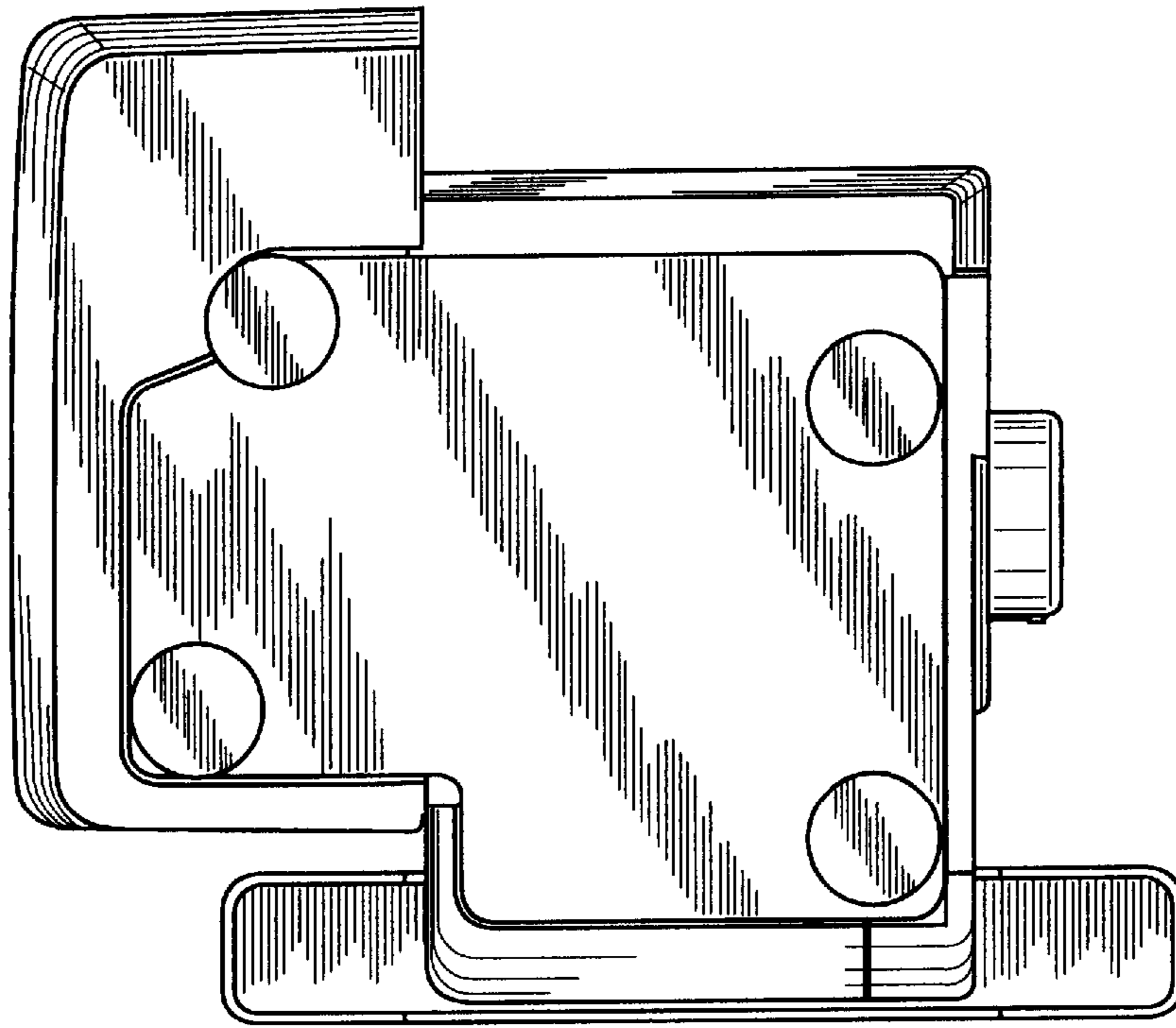
**FIG.5**



**FIG.6**



**FIG.7**



**FIG.8**

