



US00D462367S

(12) **United States Design Patent**  
**Lagsdin**

(10) **Patent No.:** **US D462,367 S**

(45) **Date of Patent:** **\*\* Sep. 3, 2002**

(54) **STABILIZER PAD**

6,109,650 A \* 8/2000 Lagsdin ..... 280/763.1  
6,270,119 B1 \* 8/2001 Lagsdin ..... 280/764.1

(76) Inventor: **Andry Lagsdin**, 54 King Hill Rd.,  
Hanover, MA (US) 02339

\* cited by examiner

(\*\*) Term: **14 Years**

*Primary Examiner*—Mitchell Siegel  
(74) *Attorney, Agent, or Firm*—David M. Driscoll

(21) Appl. No.: **29/148,010**

(57) **CLAIM**

(22) Filed: **Sep. 14, 2001**

The ornamental design for a stabilizer pad, as shown and described.

**Related U.S. Application Data**

**DESCRIPTION**

(62) Division of application No. 29/119,630, filed on Mar. 2, 2000.

FIG. 1 is a perspective view of a second embodiment of the stabilizer pad;

(51) **LOC (7) Cl.** ..... **15-03**

FIG. 2 is a front view thereof;

(52) **U.S. Cl.** ..... **D15/28**

FIG. 3 is a right side view thereof;

(58) **Field of Search** ..... D15/22-26, 28,  
D15/10, 21; 280/763.1, 764.1, 765.1; 248/632,  
633; 212/301-305

FIG. 4 is a rear view thereof;

FIG. 5 is a top view thereof;

FIG. 6 is a bottom view thereof;

FIG. 7 is a perspective view of a third embodiment of the stabilizer pad;

(56) **References Cited**

FIG. 8 is a front view thereof;

FIG. 9 is a right side view thereof;

FIG. 10 is a rear view thereof;

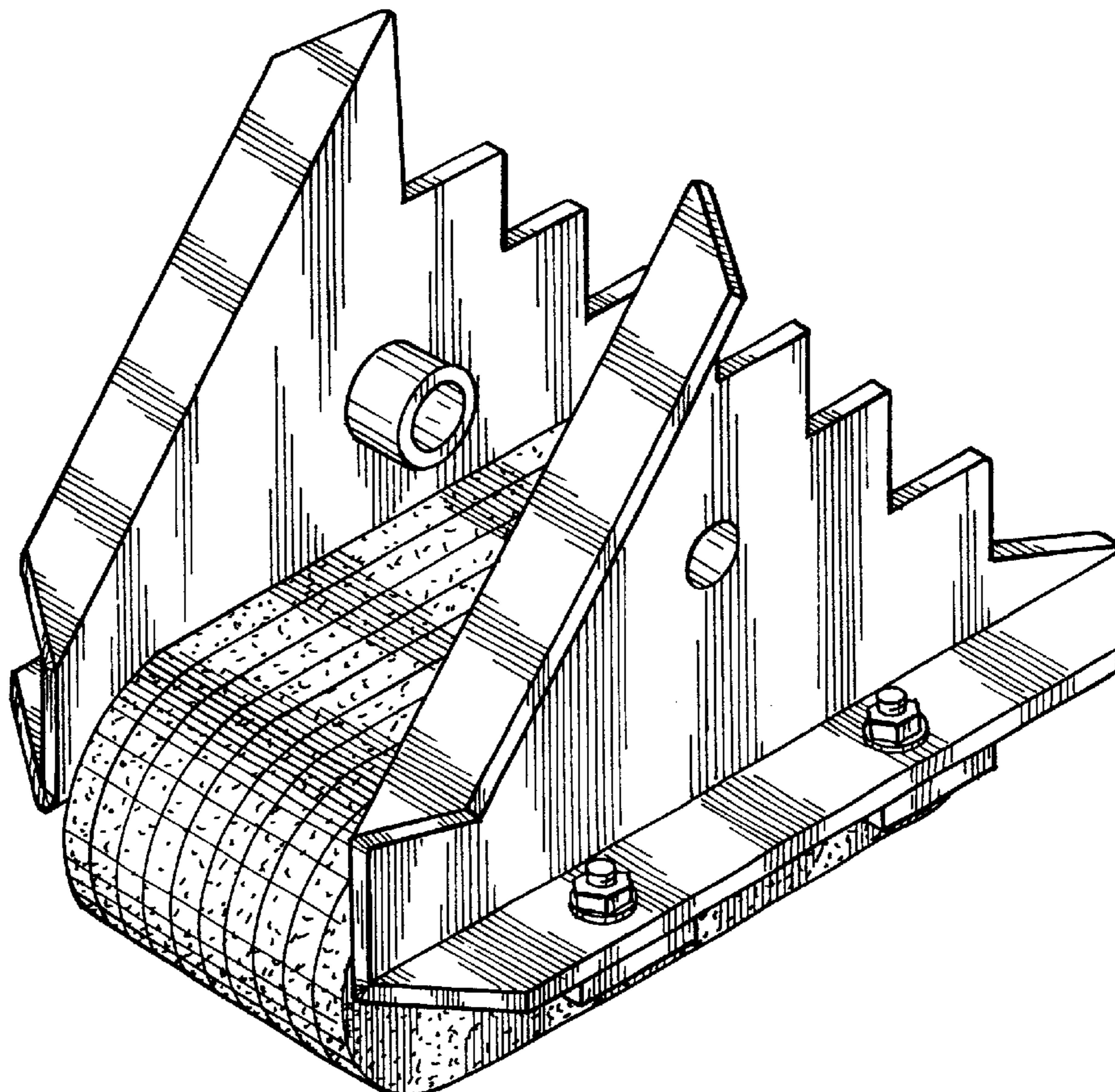
FIG. 11 is a top view thereof; and,

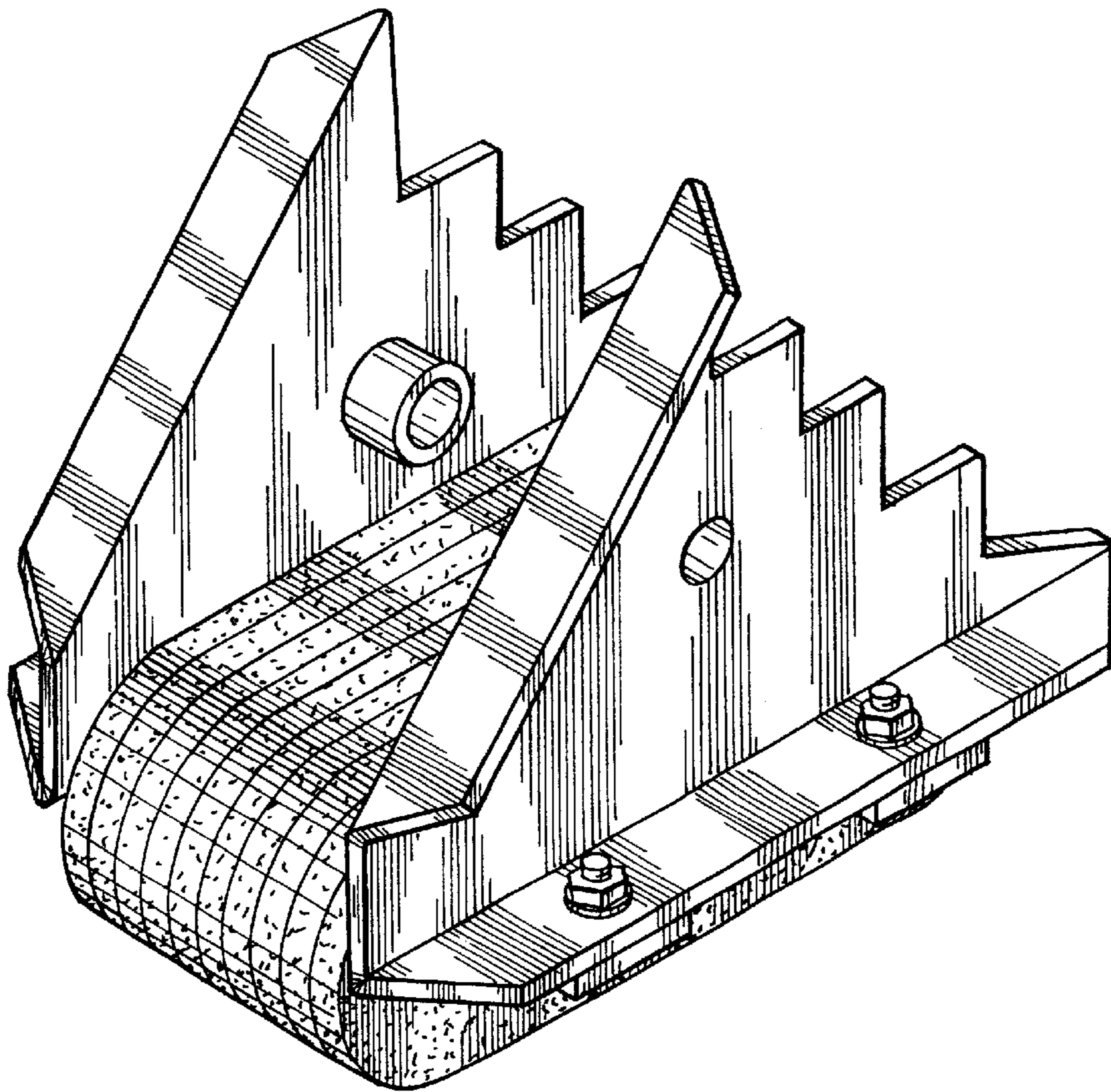
FIG. 12 is a bottom view thereof.

**U.S. PATENT DOCUMENTS**

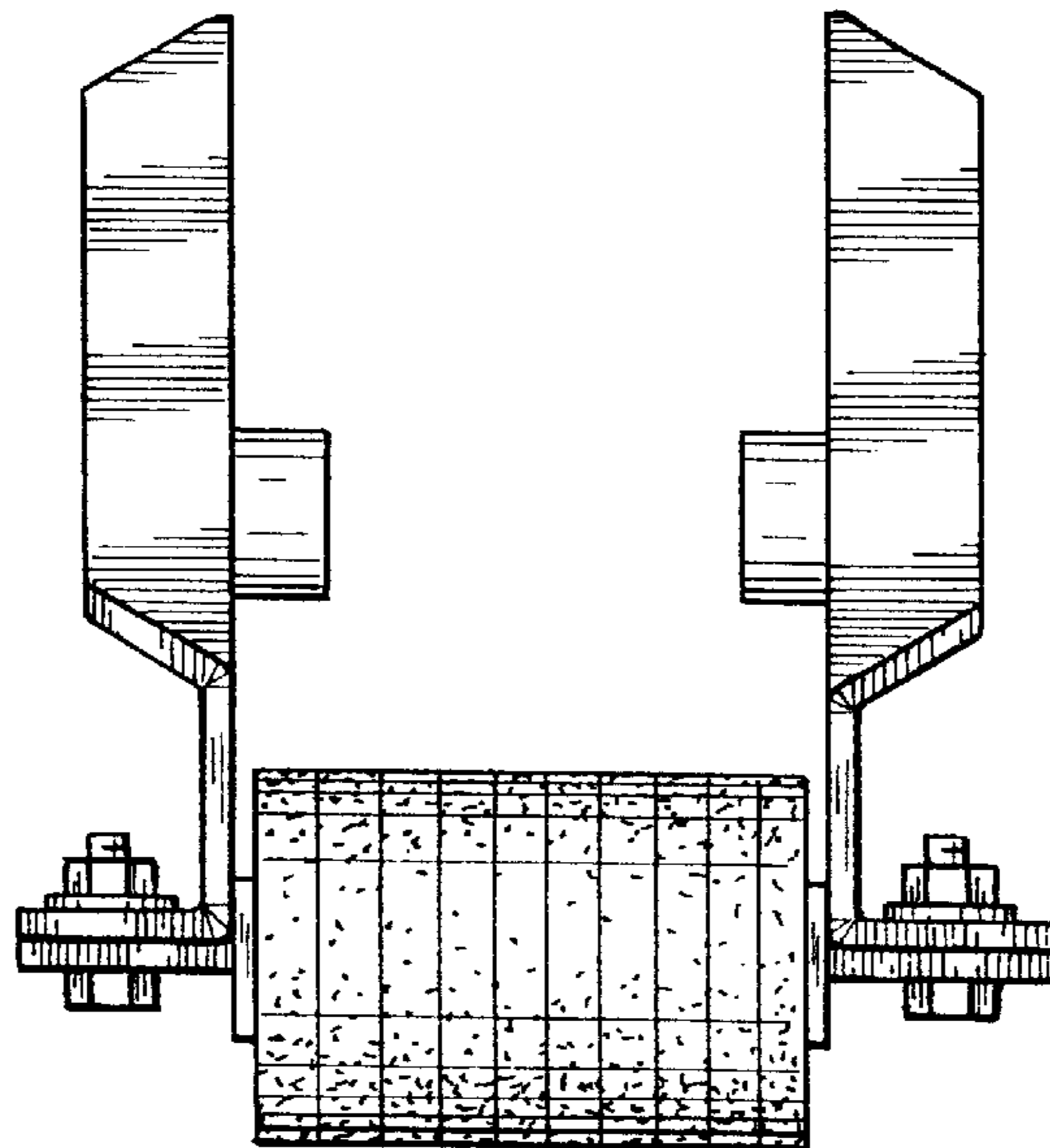
- 3,897,079 A \* 7/1975 MacKenzie et al. .... 280/764.1
- 3,913,942 A \* 10/1975 MacKenzie et al. .... 280/764.1
- 4,023,828 A \* 5/1977 Mackenzie et al. .... 280/763.1
- 5,957,496 A \* 9/1999 Lagsdin ..... 280/763.1
- 5,992,883 A \* 11/1999 Lagsdin ..... 280/763.1

**1 Claim, 6 Drawing Sheets**

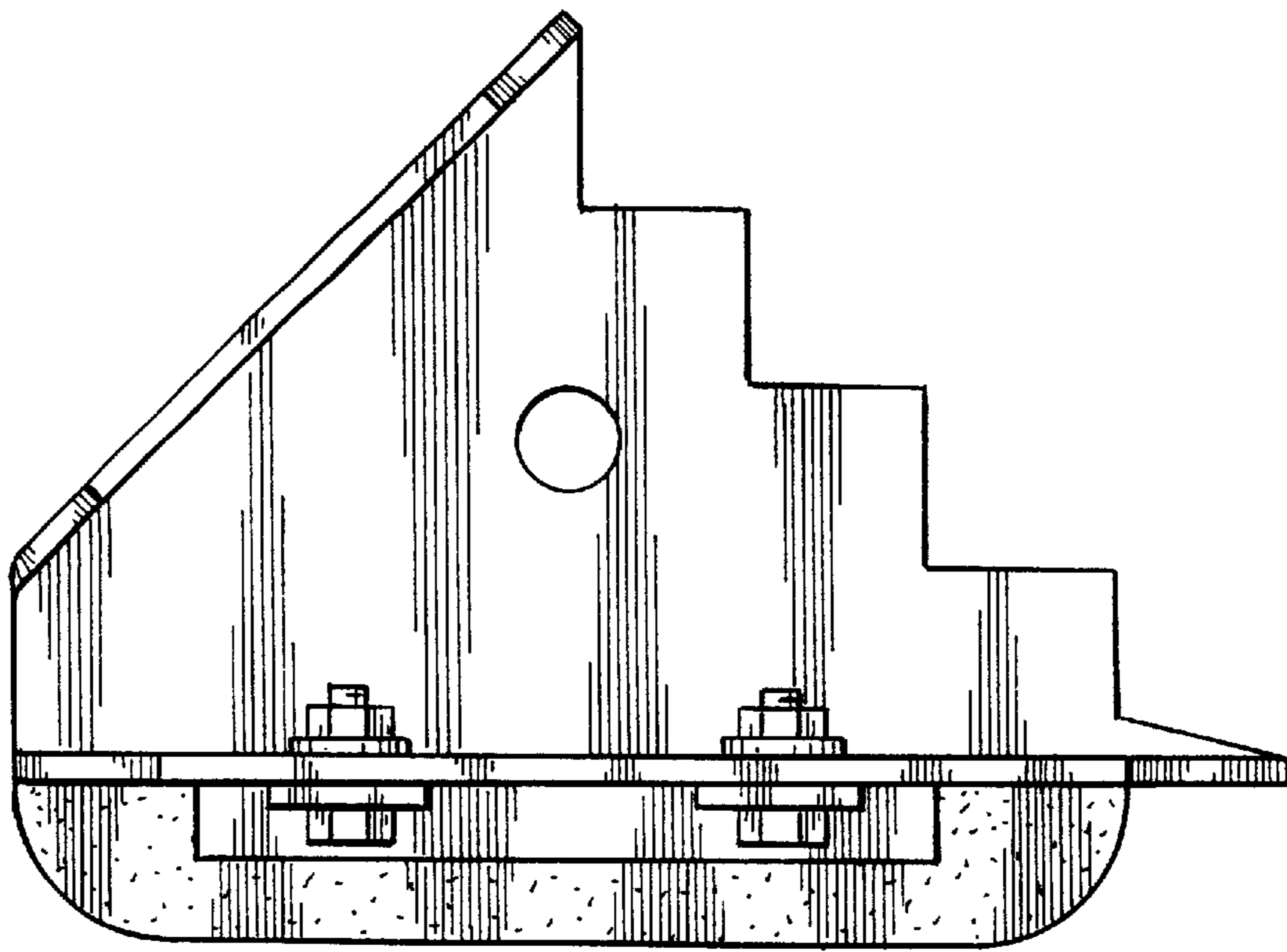




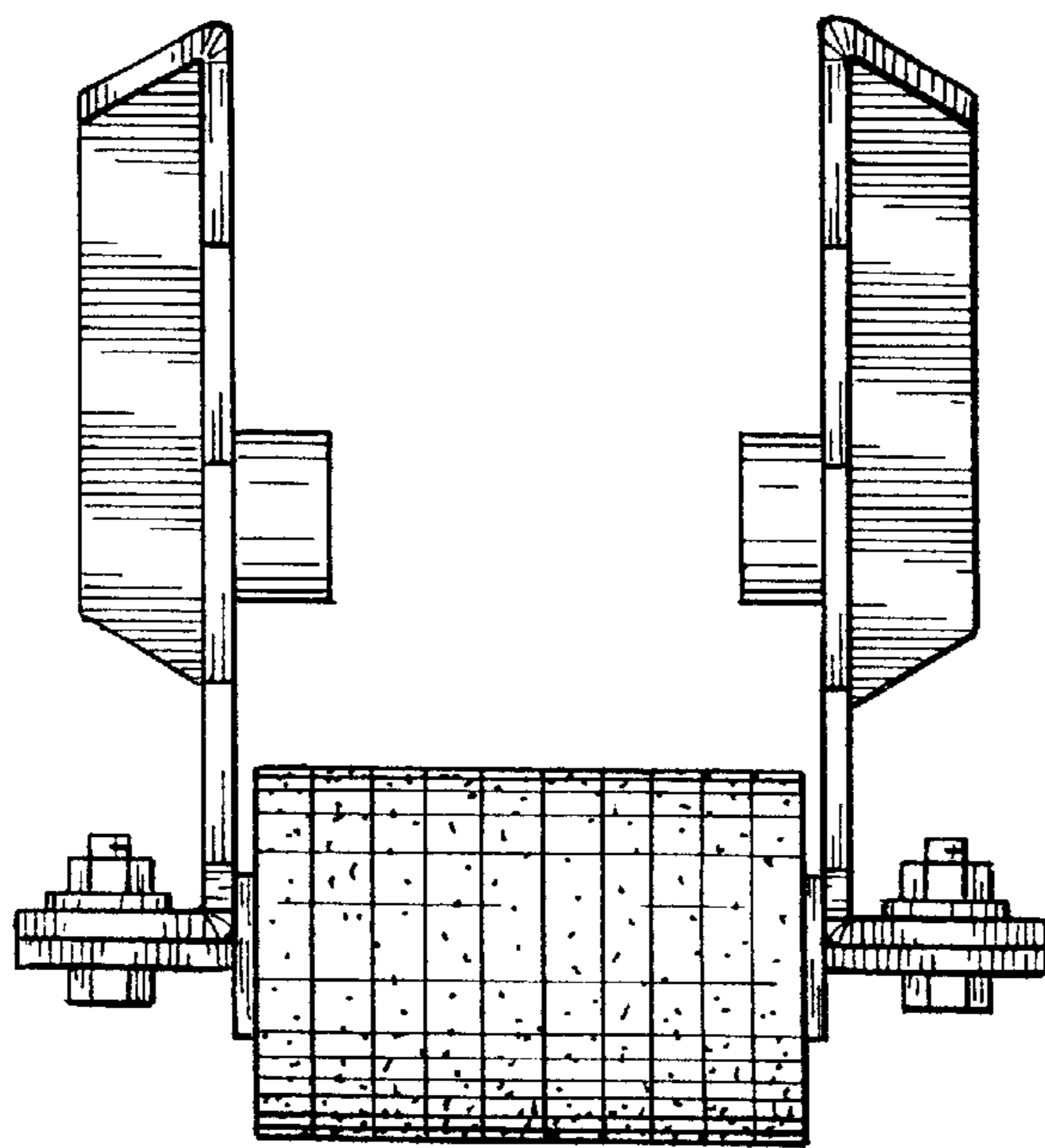
*Fig. 1*



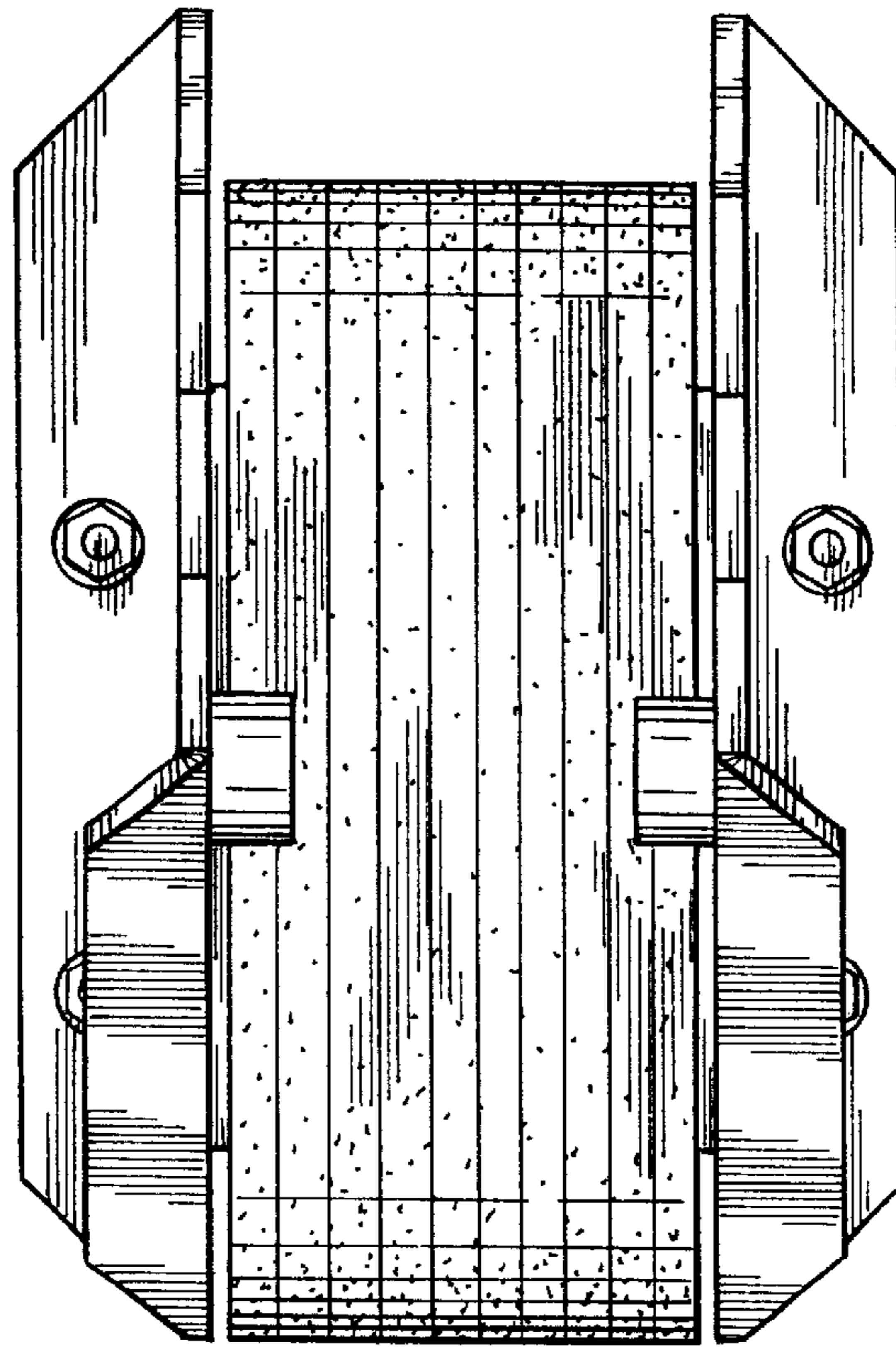
*Fig. 2*



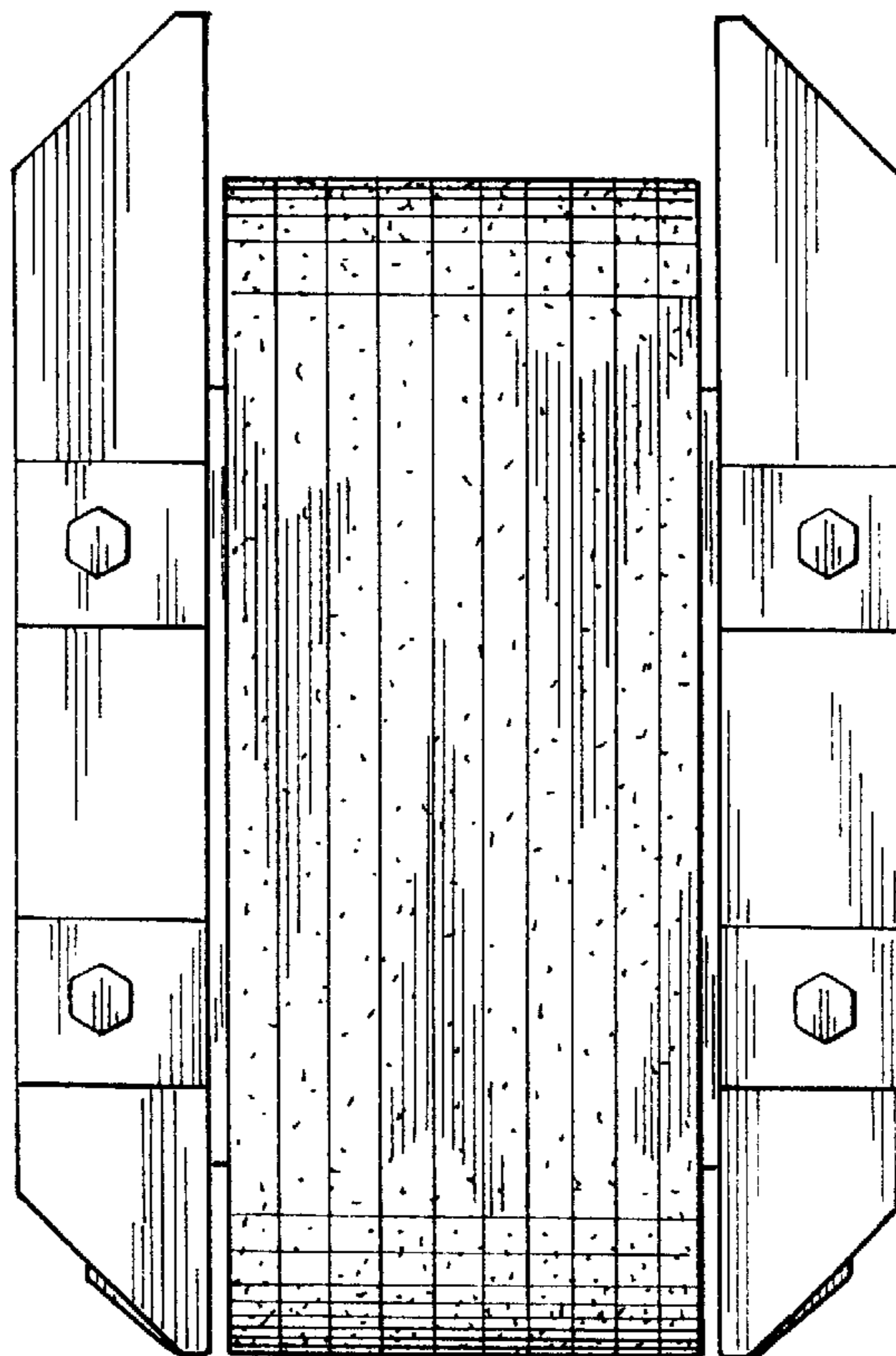
*Fig. 3*



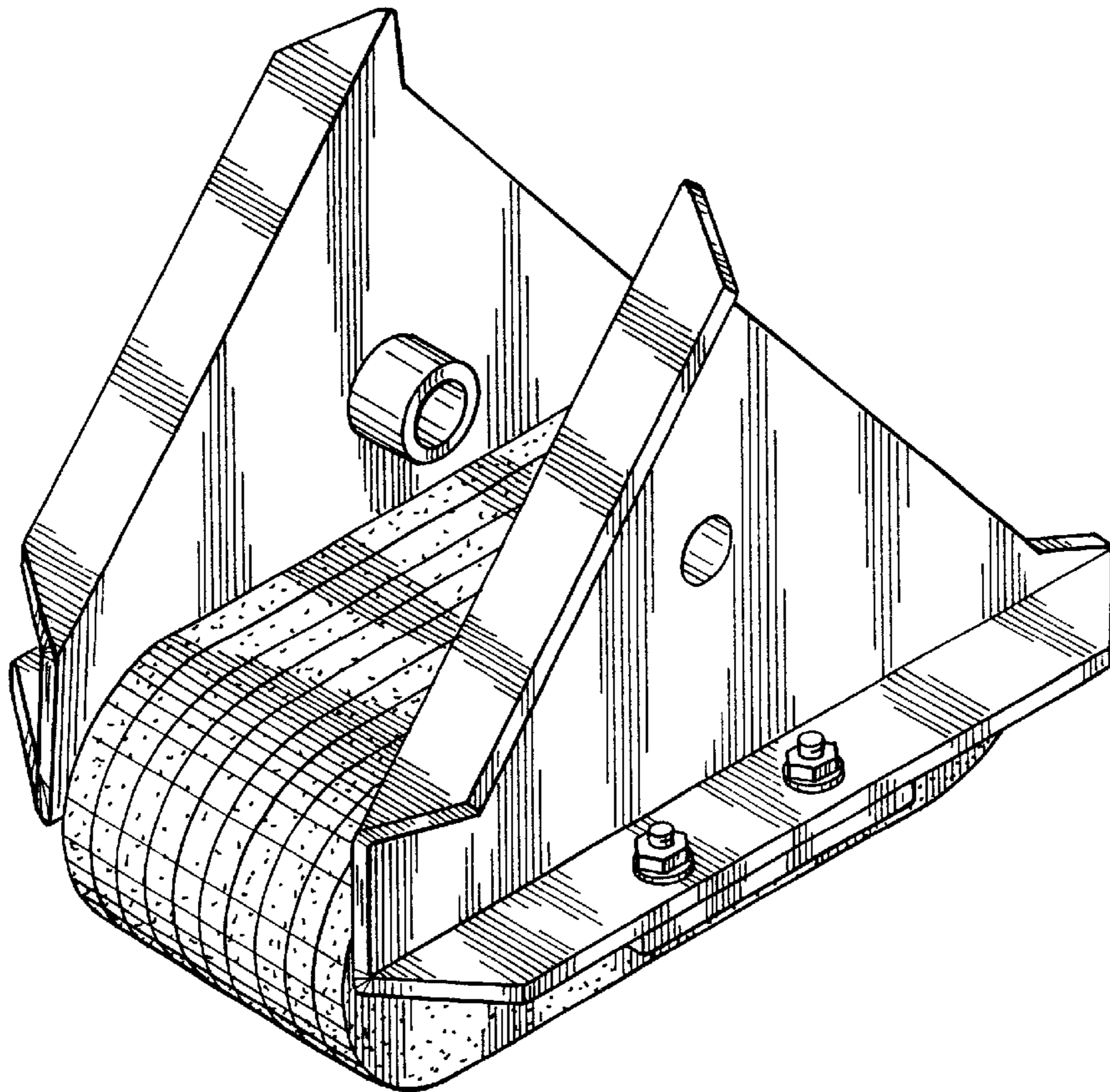
*Fig. 4*



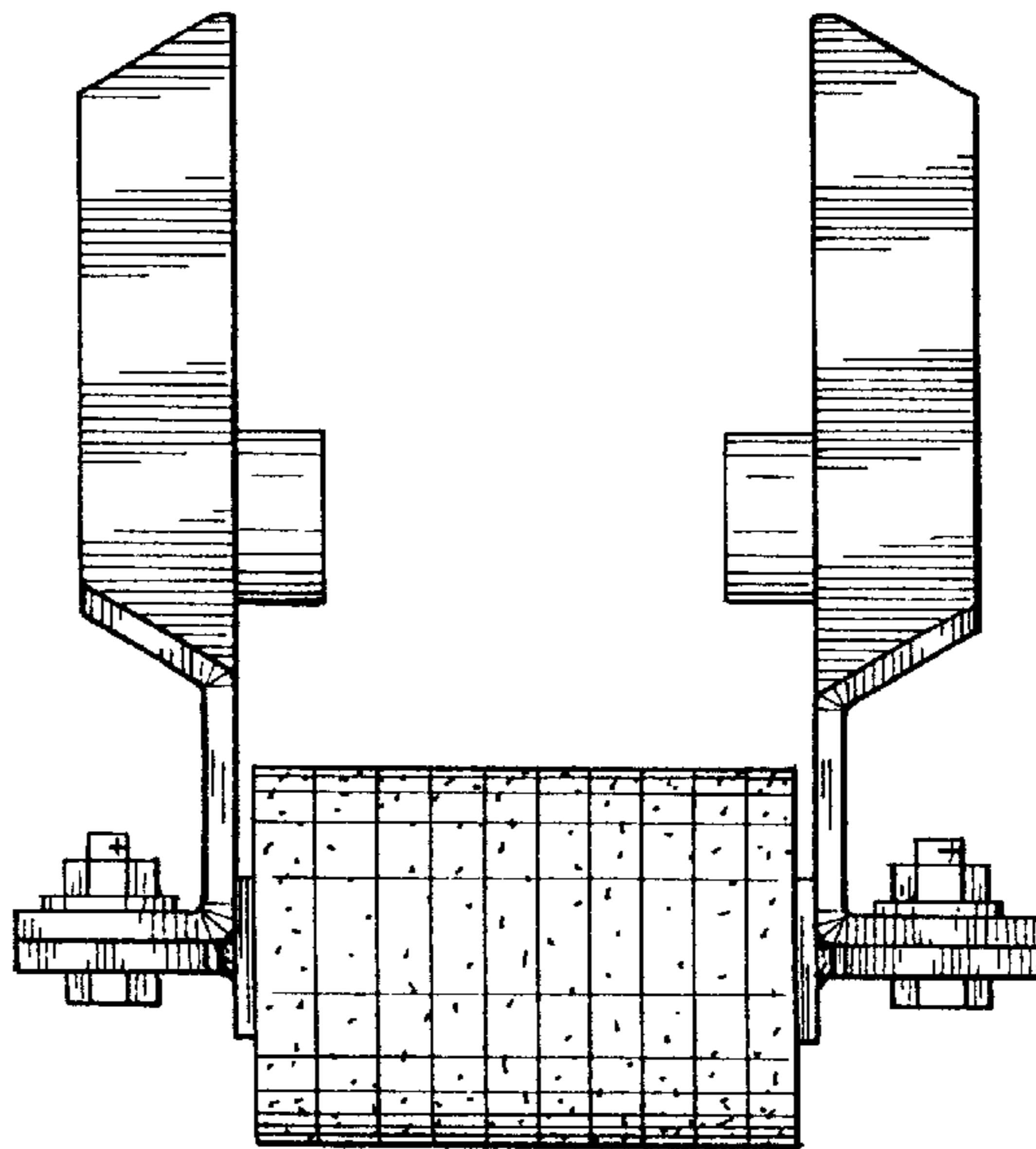
*Fig. 5*



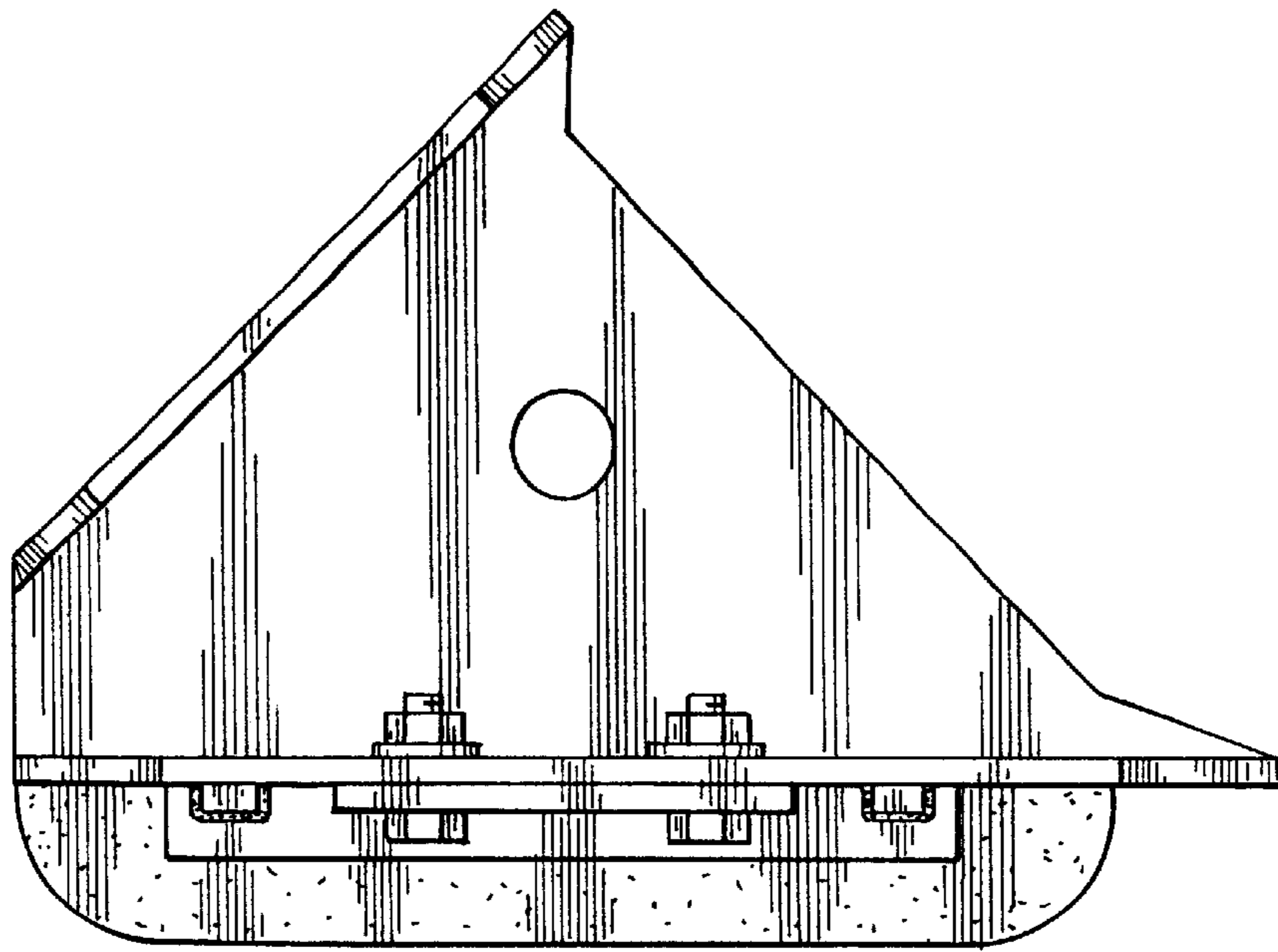
*Fig. 6*



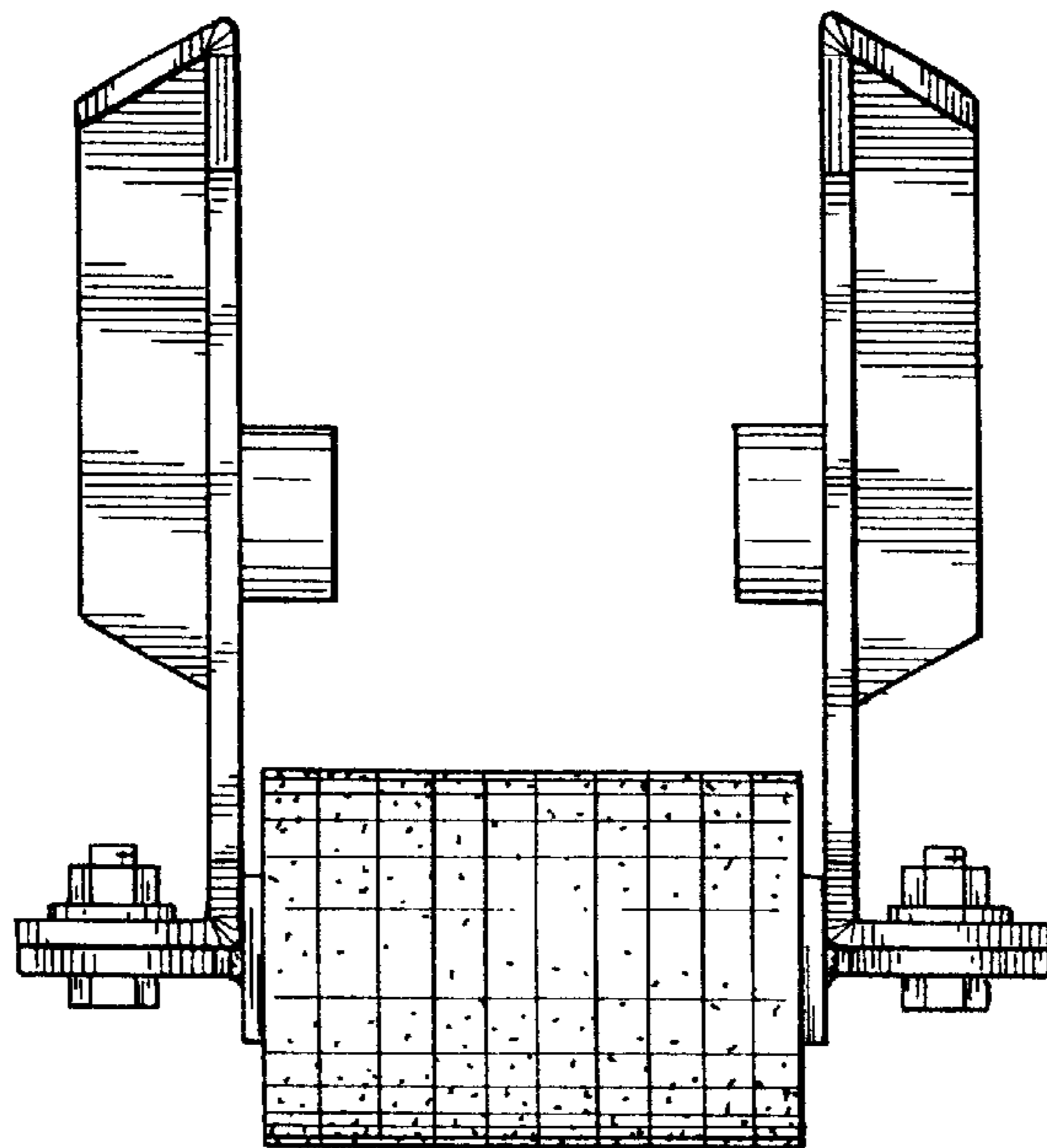
*Fig. 7*



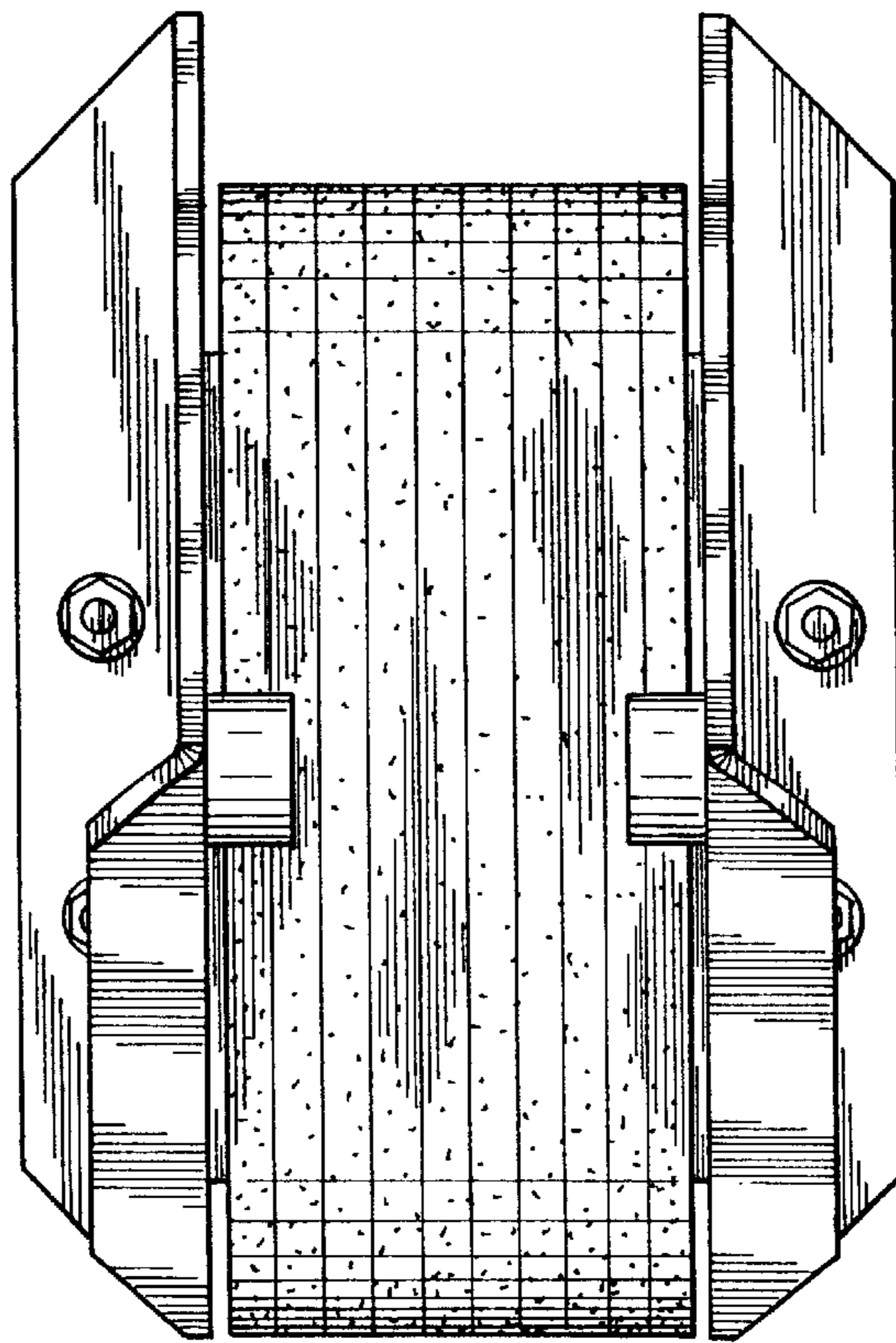
*Fig. 8*



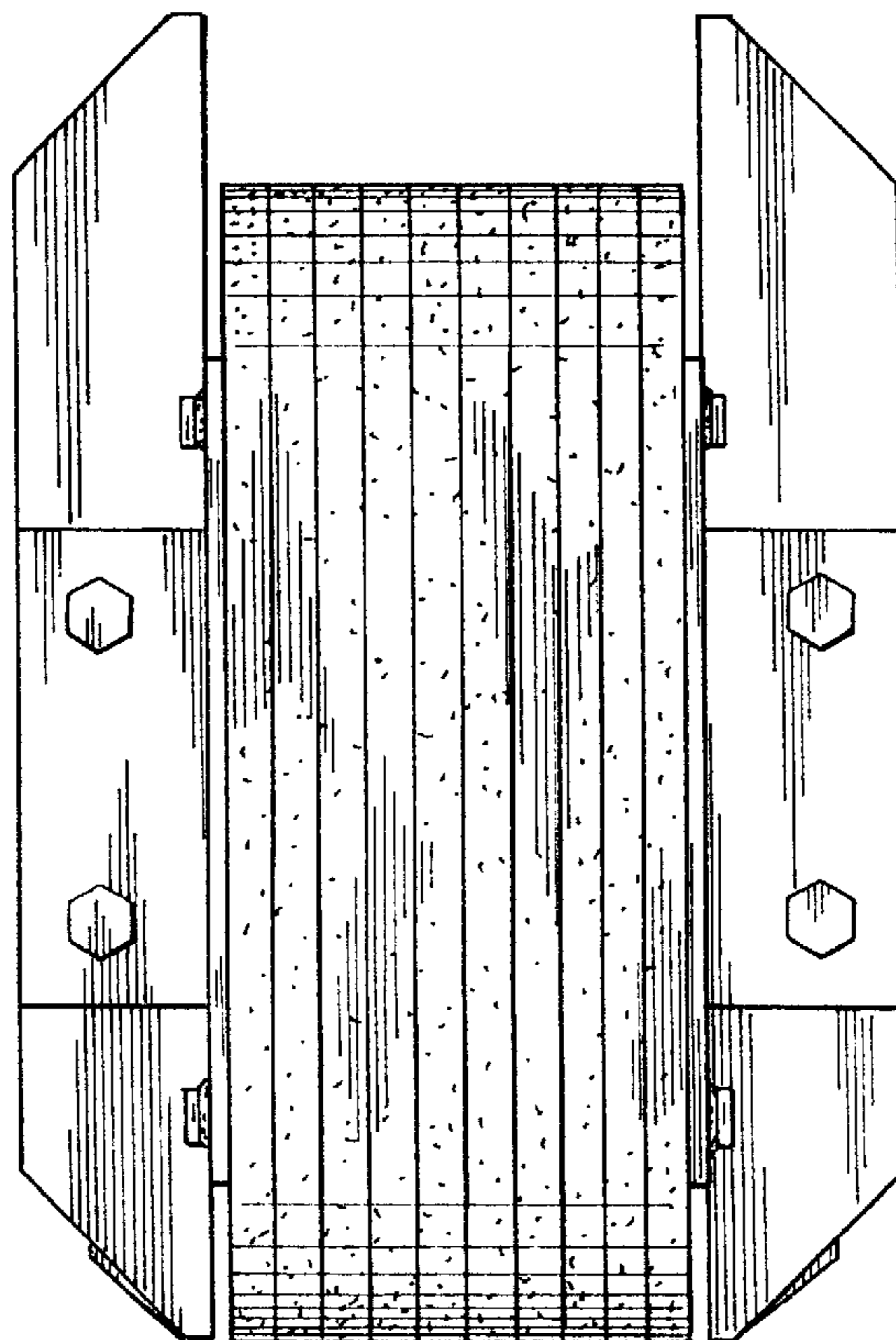
*Fig. 9*



*Fig. 10*



*Fig. 11*



*Fig. 12*