



US00D462366S

(12) **United States Design Patent**  
**Lagsdin**

(10) **Patent No.:** **US D462,366 S**

(45) **Date of Patent:** **\*\* Sep. 3, 2002**

(54) **STABILIZER PAD**

(76) **Inventor:** **Andry Lagsdin**, 54 King Hill Rd.,  
Hanover, MA (US) 02339

(\*\*) **Term:** **14 Years**

(21) **Appl. No.:** **29/119,630**

(22) **Filed:** **Mar. 2, 2000**

(51) **LOC (7) Cl.** ..... **15-03**

(52) **U.S. Cl.** ..... **D15/28**

(58) **Field of Search** ..... D15/10, 22-24,  
D15/28; 414/486, 455, 739, 746.4; 280/763.1,  
764.1, 765; 212/304

(56) **References Cited**

**U.S. PATENT DOCUMENTS**

3,452,887	A	*	7/1969	Larson et al.	.....	414/486
3,897,079	A	*	7/1975	MacKenzie et al.	.....	280/764.1
3,913,942	A	*	10/1975	MacKenzie et al.	.....	280/764.1
4,023,828	A	*	5/1977	Mackenzie et al.	.....	280/763.1
D252,274	S	*	7/1979	Gregorich et al.	.....	D15/24

D298,018	S	*	10/1988	Cartwright	.....	D15/28
5,957,496	A	*	9/1999	Lagsdin	.....	280/763.1
5,992,883	A	*	11/1999	Lagsdin	.....	280/763.1
6,109,650	A	*	8/2000	Lagsdin	.....	280/763.1
6,270,119	B1	*	8/2001	Lagsdin	.....	280/764.1

\* cited by examiner

*Primary Examiner*—Mitchell Siegel

(74) *Attorney, Agent, or Firm*—David M. Driscoll

(57) **CLAIM**

The ornamental design for a stabilizer pad, as shown and described.

**DESCRIPTION**

FIG. 1 is a perspective view of a first embodiment of the stabilizer pad;

FIG. 2 is a front view thereof;

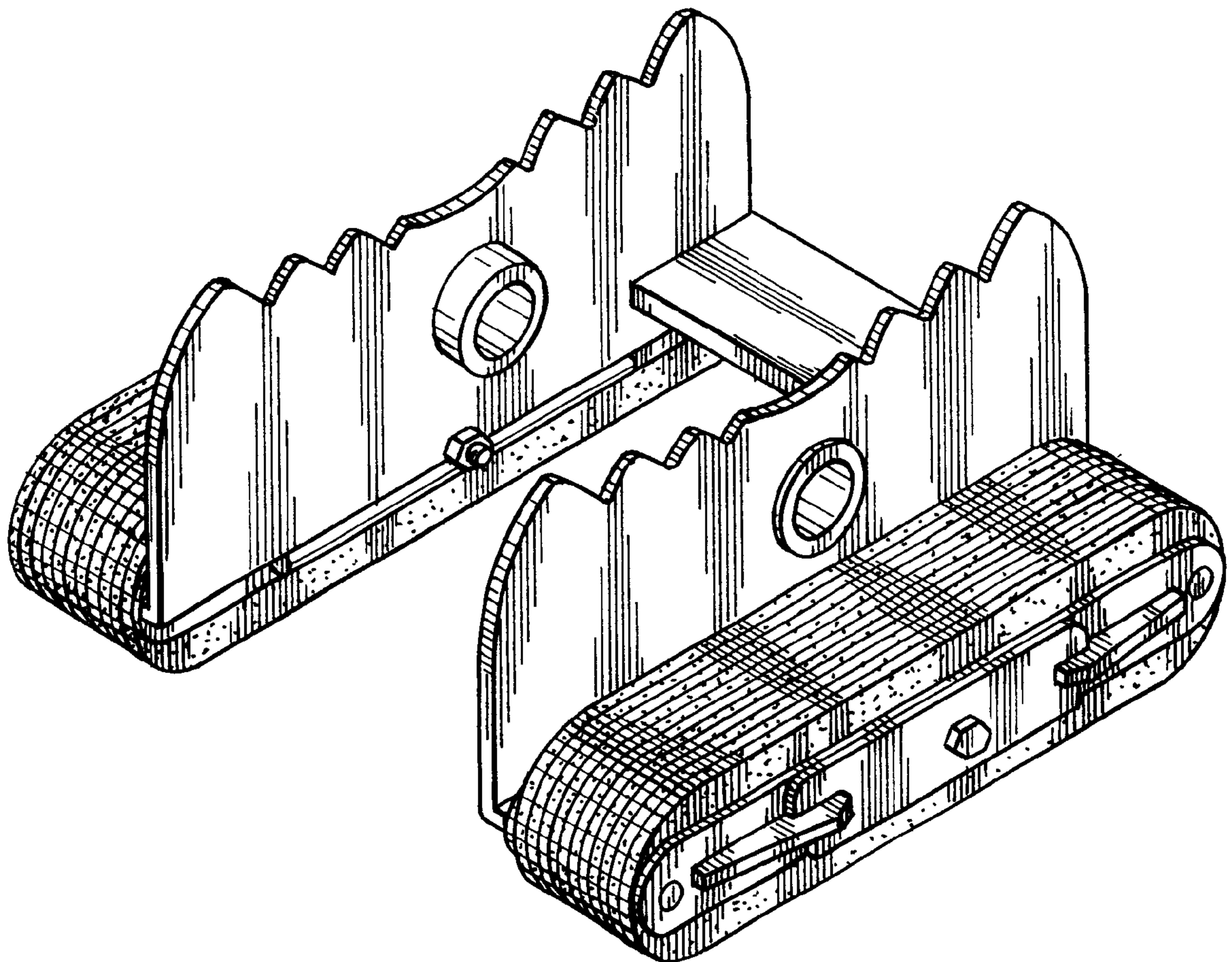
FIG. 3 is a right side view thereof;

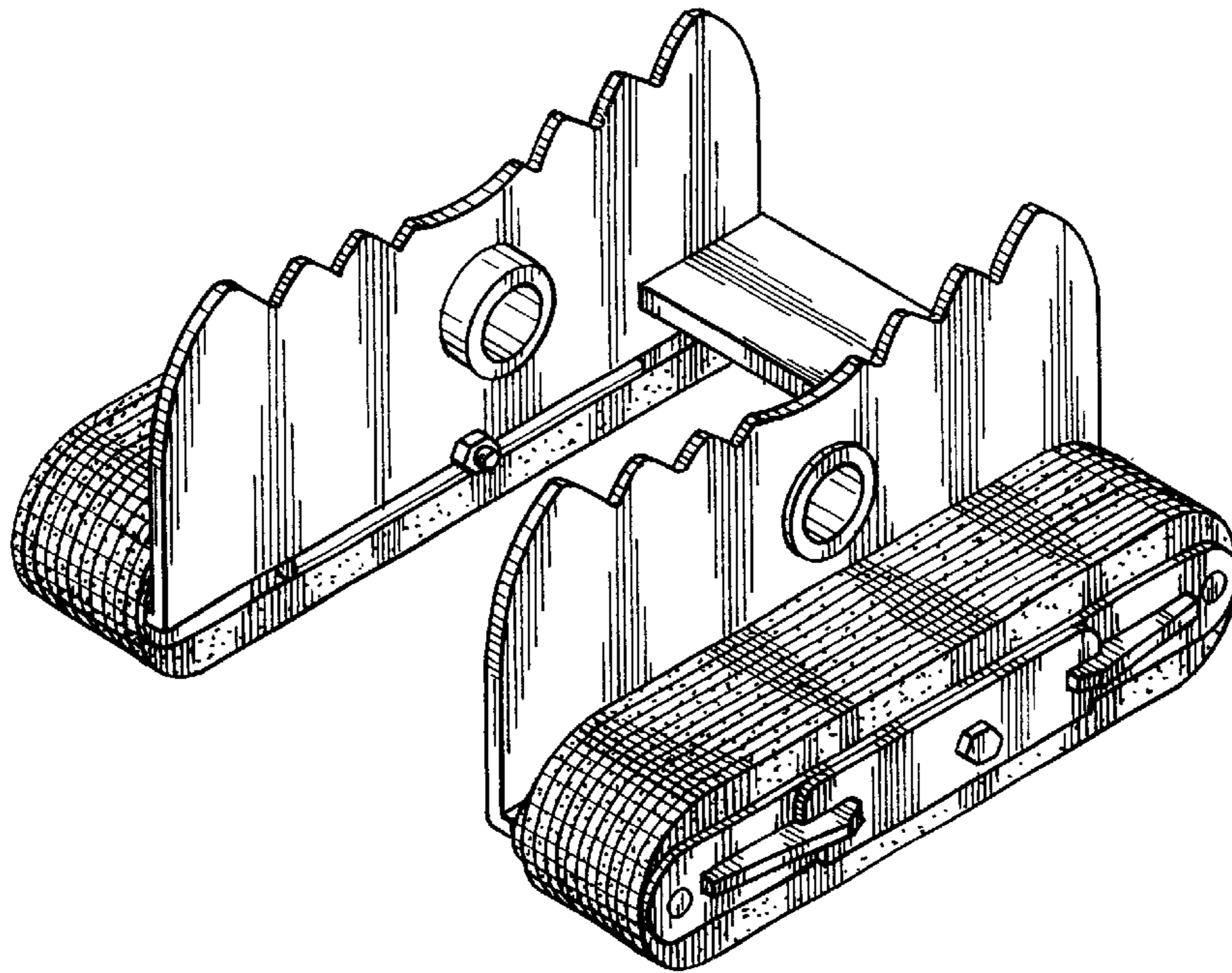
FIG. 4 is a right side view thereof;

FIG. 5 is a top view thereof; and,

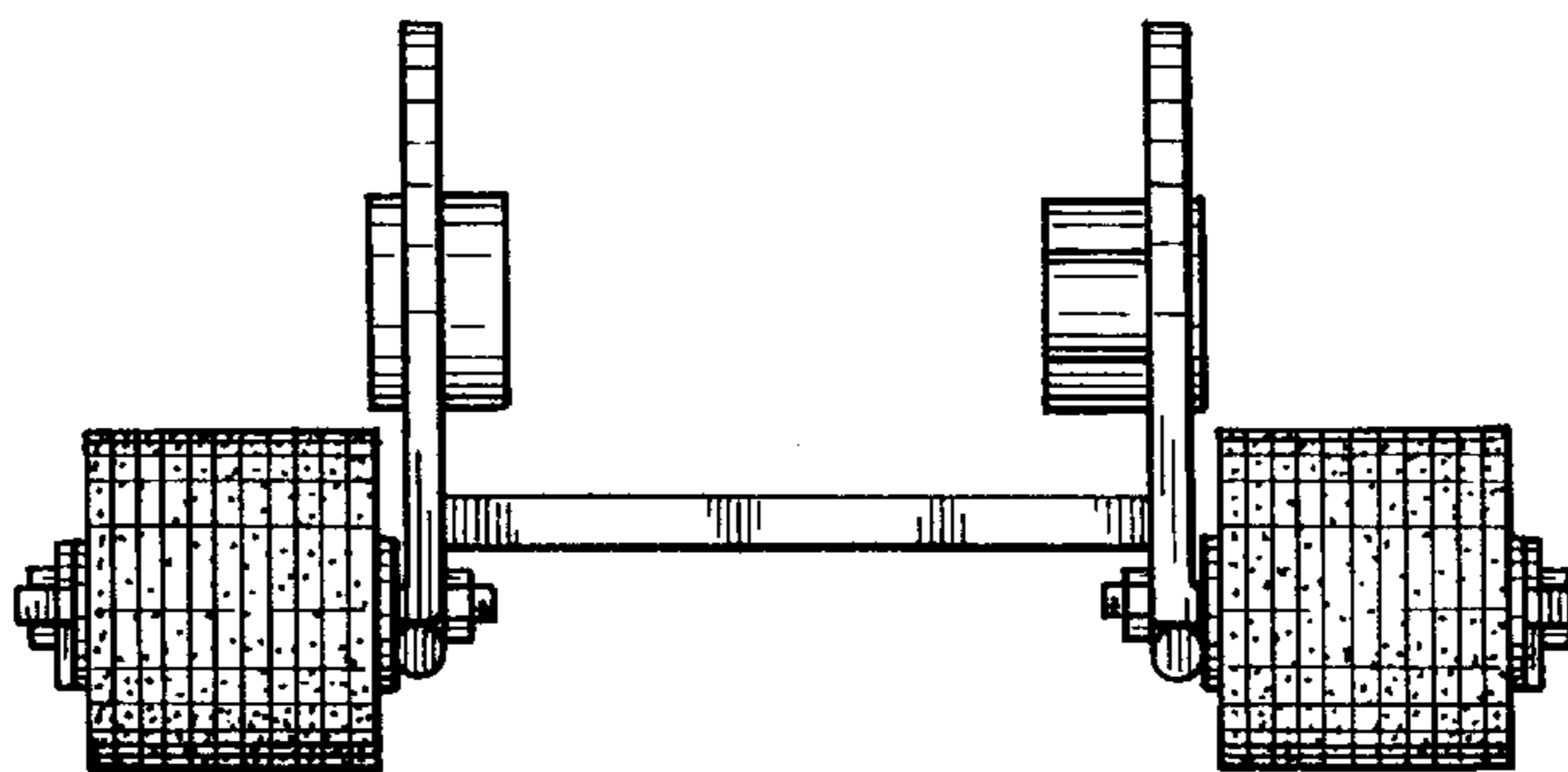
FIG. 6 is a bottom view thereof.

**1 Claim, 2 Drawing Sheets**

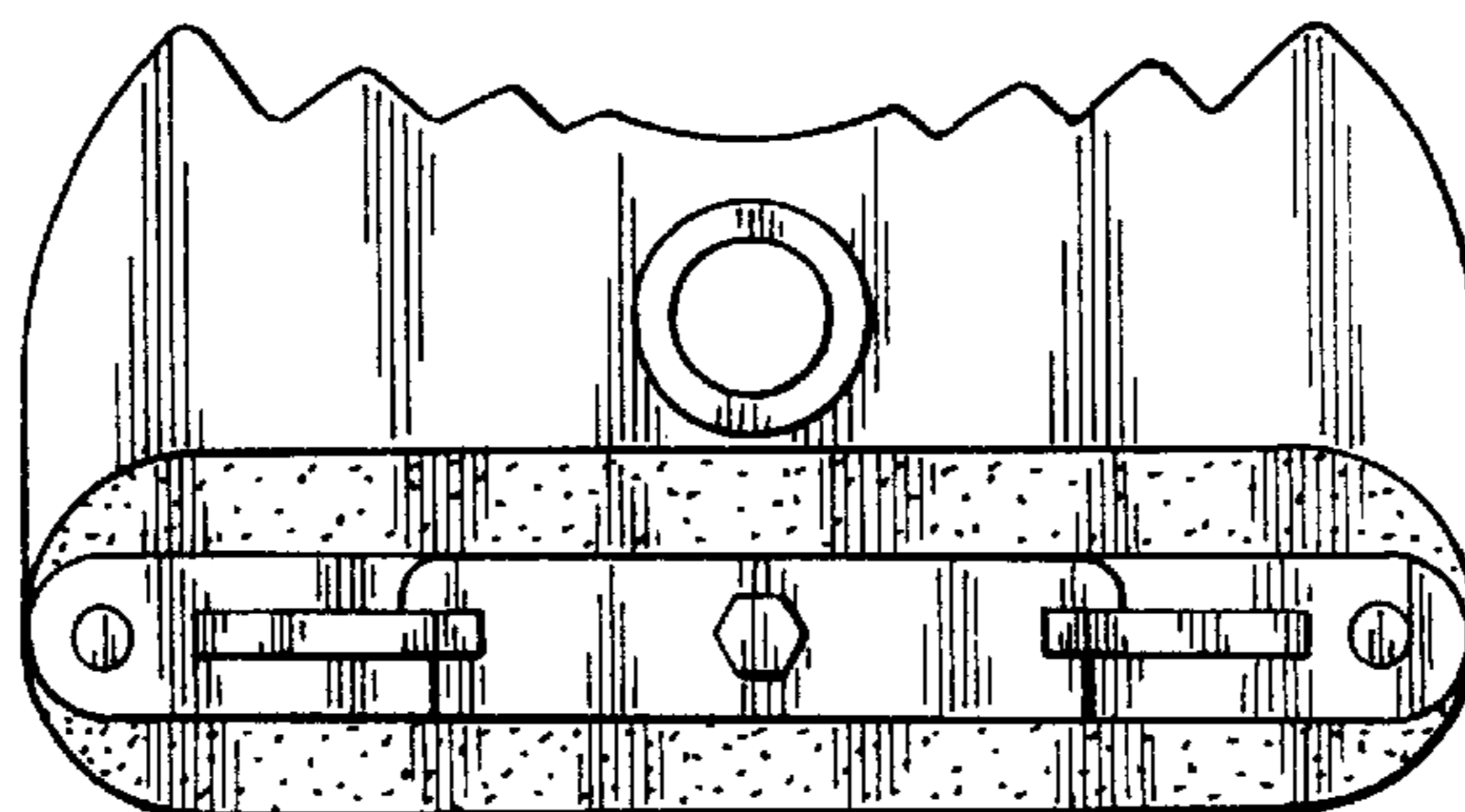




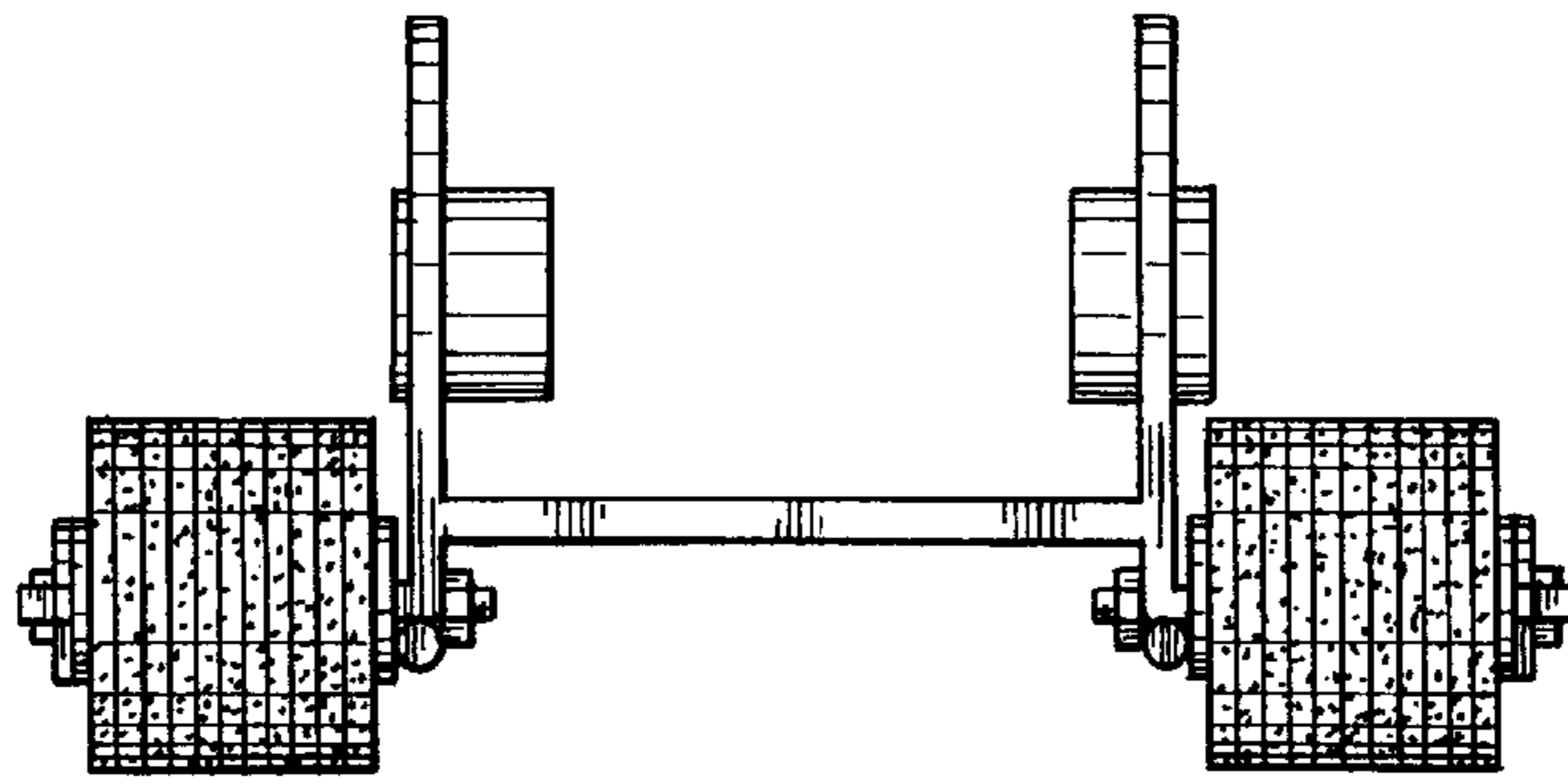
*Fig. 1*



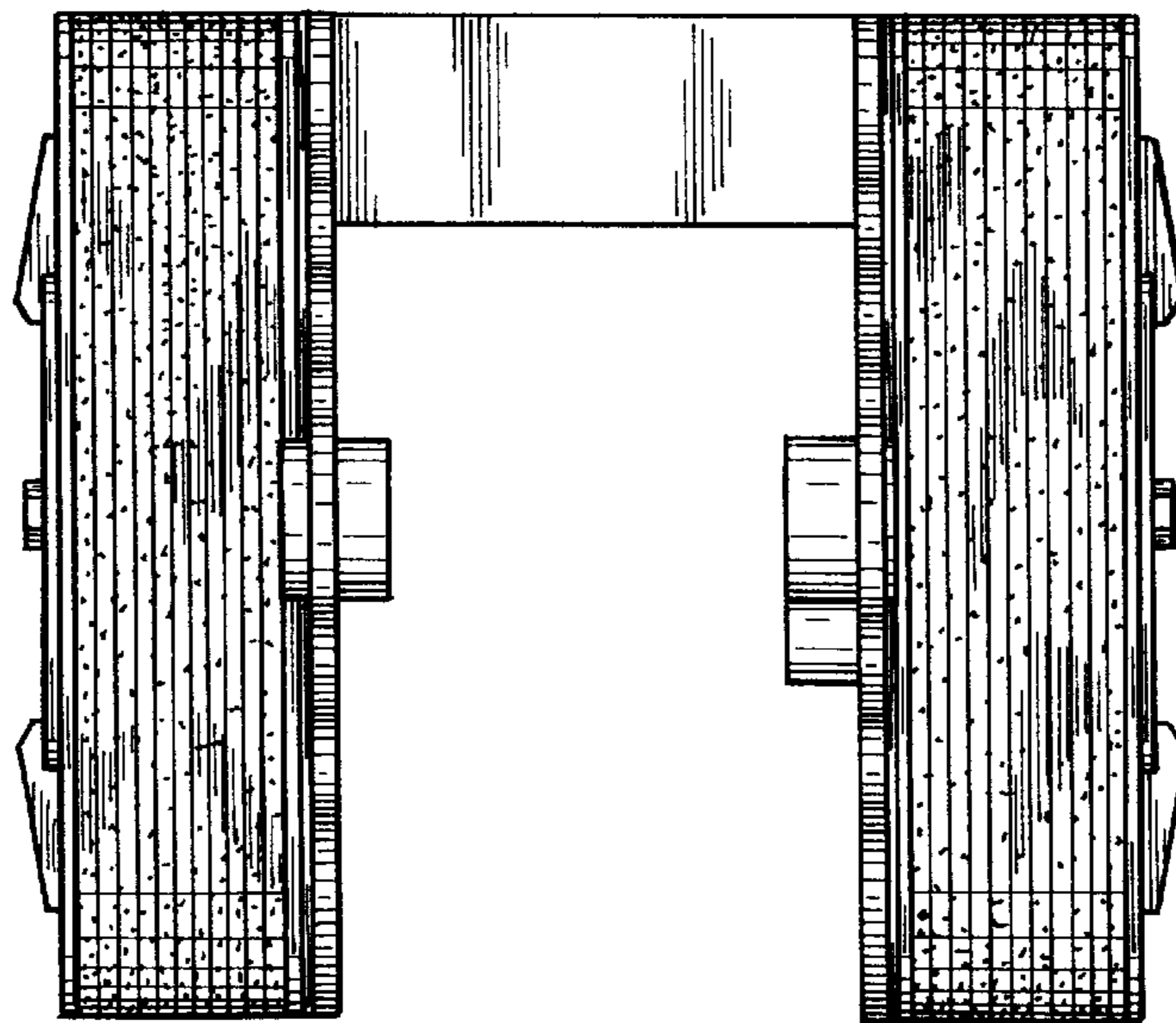
*Fig. 2*



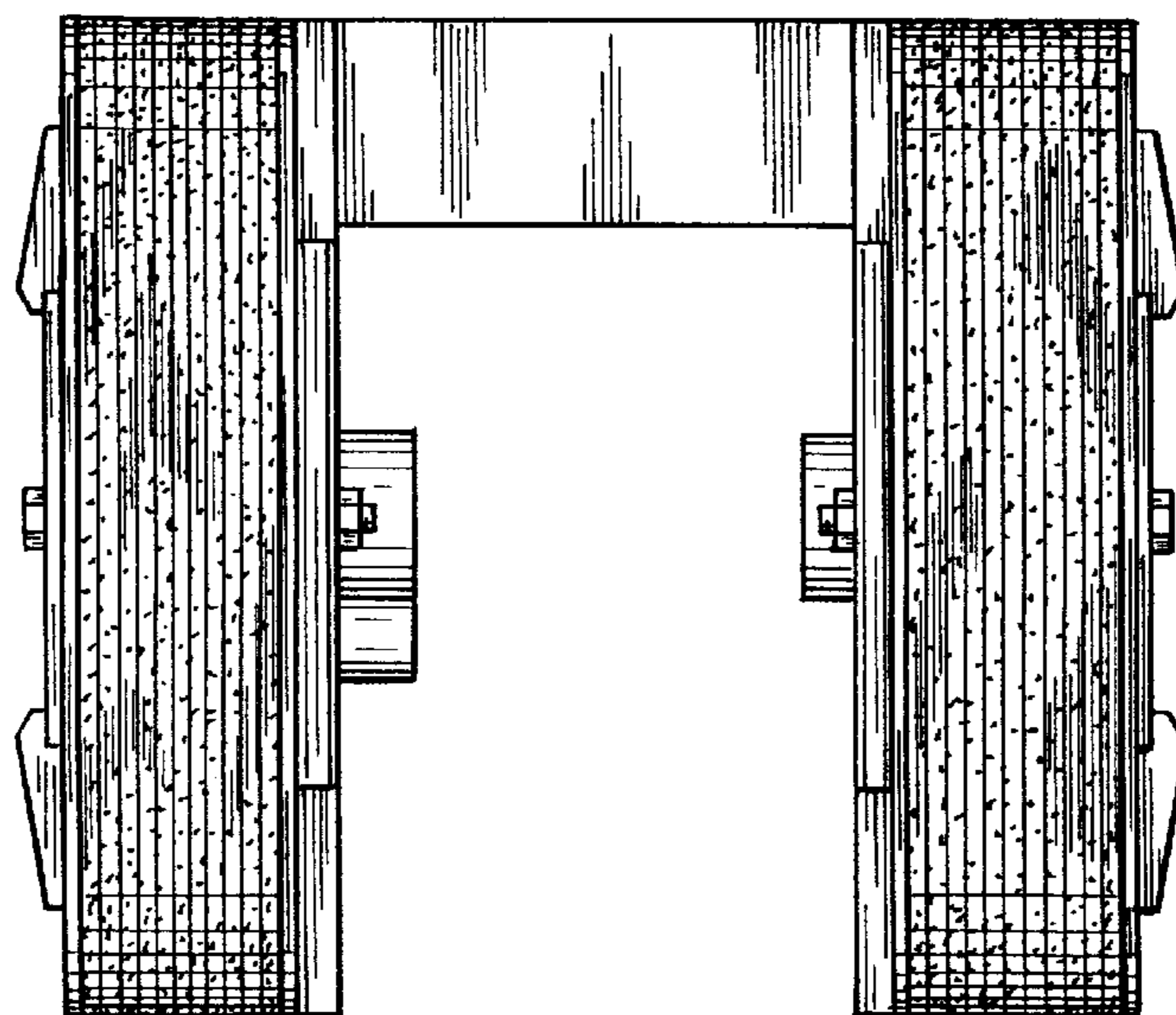
*Fig. 3*



*Fig. 4*



*Fig. 5*



*Fig. 6*