



US00D462363S

(12) **United States Design Patent**  
**Burmeister et al.**

(10) **Patent No.:** **US D462,363 S**

(45) **Date of Patent:** **\*\* \*Sep. 3, 2002**

(54) **OUTBOARD COWLING**

(75) Inventors: **Scott N. Burmeister**, Libertyville;  
**Robert B. Gowens**, Lake Bluff, both of  
IL (US); **Peter J. Van Lancker**;  
**Christopher F. Deutschmann**, both of  
Palm City, FL (US); **Harold L. Wikel,**  
**III**, Muskego, WI (US)

(73) Assignee: **Bombardier Motor Corporation of**  
**America**, Grant, FL (US)

(\*) Notice: This patent is subject to a terminal dis-  
claimer.

(\*\*) Term: **14 Years**

(21) Appl. No.: **29/122,879**

(22) Filed: **May 4, 2000**

(51) **LOC (7) Cl.** ..... **15-01**

(52) **U.S. Cl.** ..... **D15/4**

(58) **Field of Search** ..... D15/1-5; 440/52,  
440/55, 84, 88, 900, 3, 4, 6; 123/495, 195 P,  
195 W; 290/43, 46, 54; 248/642

(56) **References Cited**

**U.S. PATENT DOCUMENTS**

D257,353 S	10/1980	Fogolin
D272,357 S	1/1984	Hall et al.
D272,358 S	1/1984	Hall et al.
D274,909 S	7/1984	Ferguson et al.
D275,394 S	9/1984	Ferguson et al.
D275,487 S	9/1984	Ferguson et al.
D286,157 S	10/1986	Mikado et al.
D289,169 S	4/1987	Mikado et al.

D289,170 S	4/1987	Mikado et al.
D318,474 S	7/1991	Reynolds
D323,508 S	1/1992	Hirshberg et al.
D332,265 S	1/1993	Osumi
D358,076 S	5/1995	Woller et al.
D359,290 S	6/1995	Takeuchi
D387,775 S	12/1997	Tekura
5,830,021 A	* 11/1998	Takahashi et al. .... 440/88
D403,684 S	1/1999	Oishi
D409,205 S	5/1999	Ohsumi et al.
D412,911 S	8/1999	Iekura
D418,519 S	1/2000	Iekura
D421,444 S	3/2000	Hatch et al.
D422,599 S	4/2000	Iekura
D428,616 S	* 7/2000	Iekura ..... D15/4

\* cited by examiner

*Primary Examiner*—Melody N. Brown

(74) *Attorney, Agent, or Firm*—Pillsbury Winthrop LLP

(57) **CLAIM**

We claim the ornamental design for an outboard cowling, as  
shown and described.

**DESCRIPTION**

FIG. 1 is a perspective view of an outboard cowling in  
accordance with the present invention.

FIG. 2 is a right side view of the outboard cowling shown  
in FIG. 1, the left side view being a mirror image thereof.

FIG. 3 is a rear view of the outboard cowling shown in FIG.  
1.

FIG. 4 is a front view of the outboard cowling shown in FIG.  
1; and,

FIG. 5 is a top view of the outboard cowling shown in FIG.  
1.

**1 Claim, 3 Drawing Sheets**

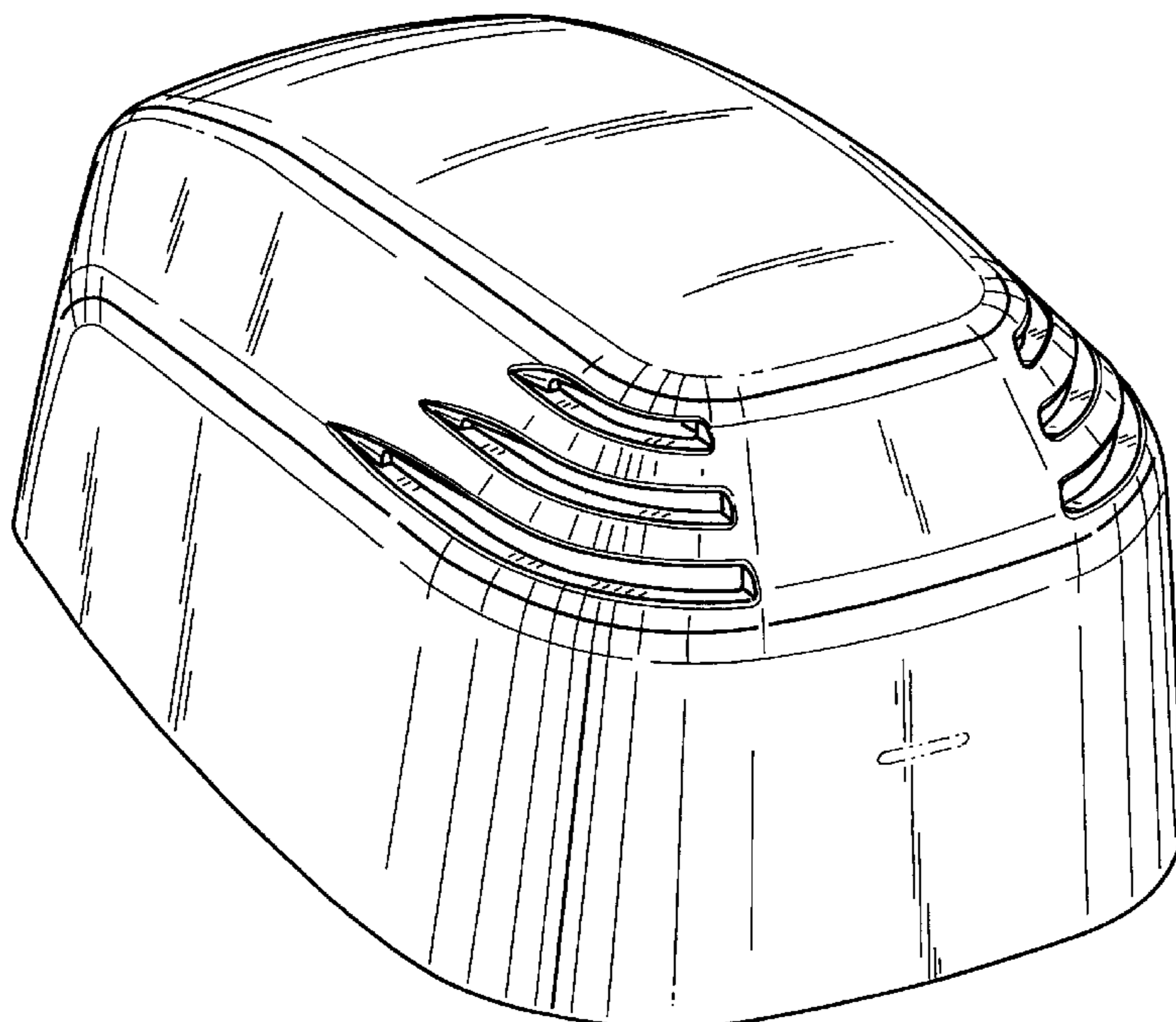


FIG. 1

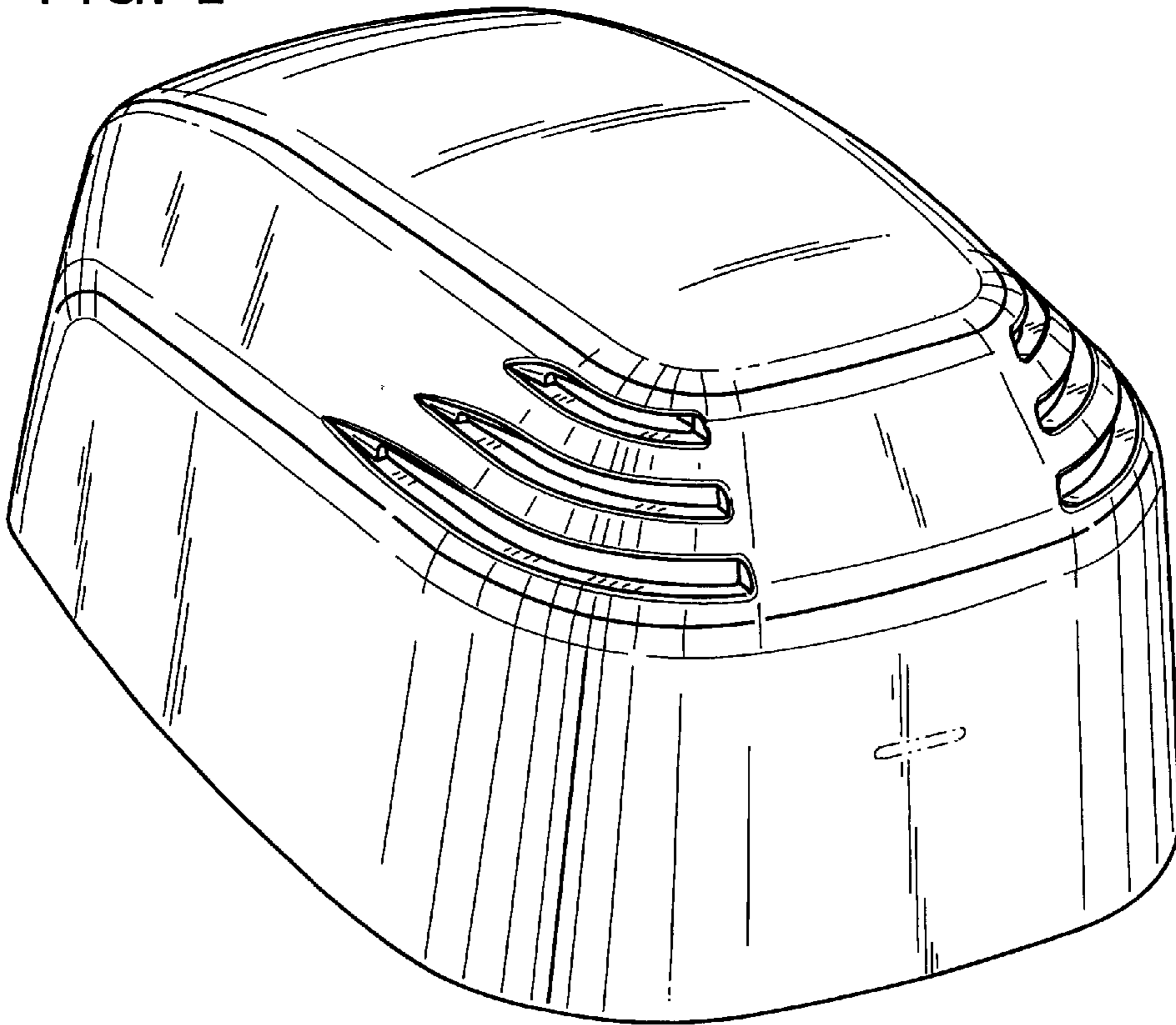


FIG. 2

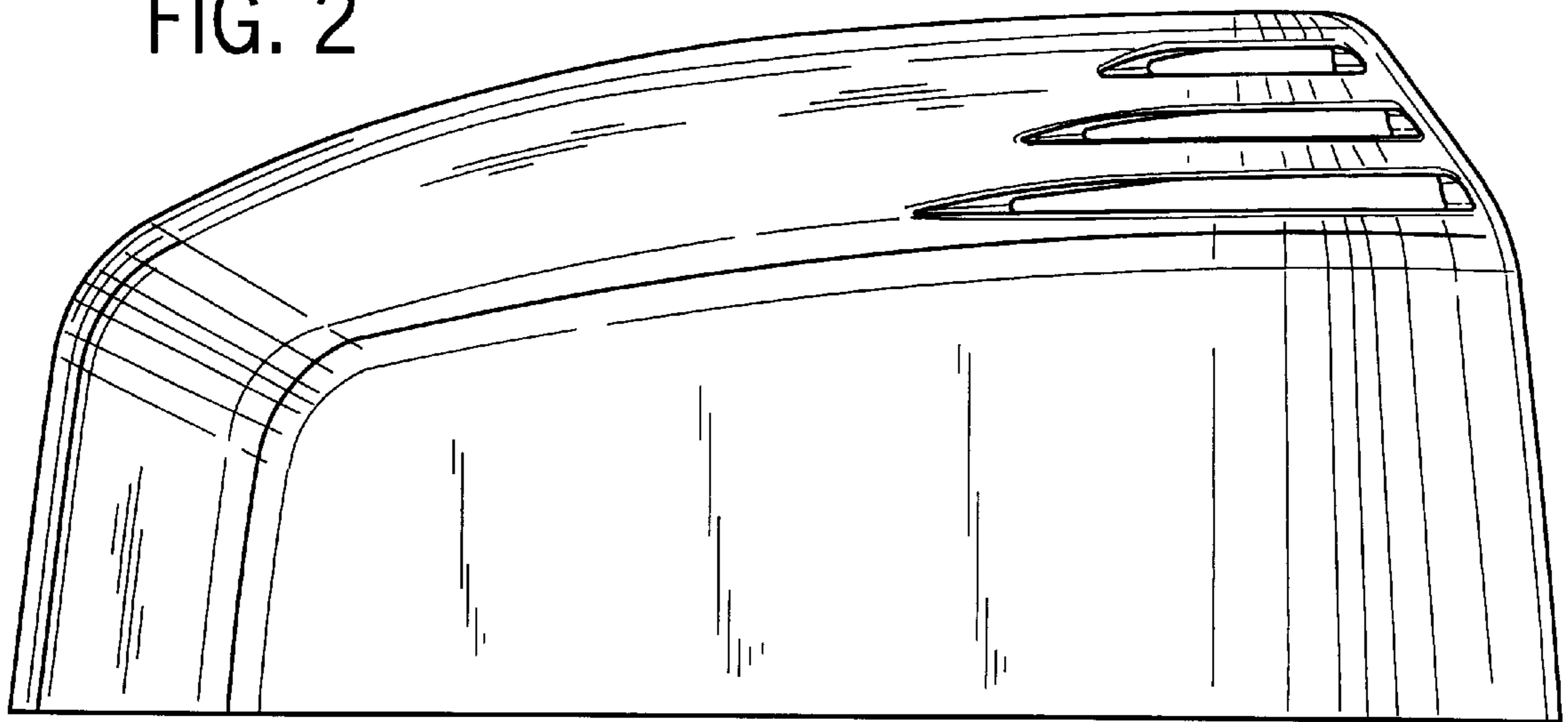


FIG. 3

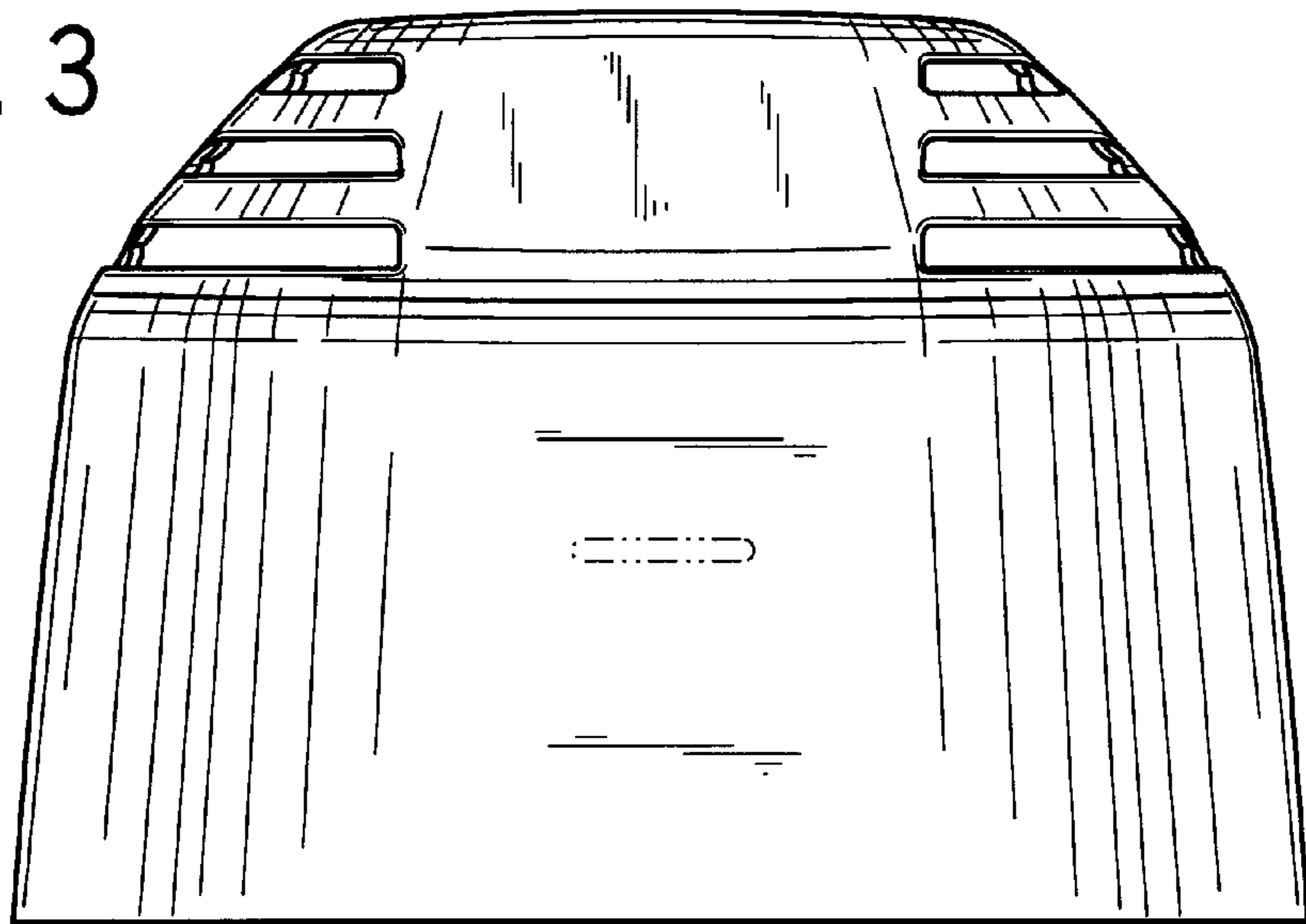


FIG. 4

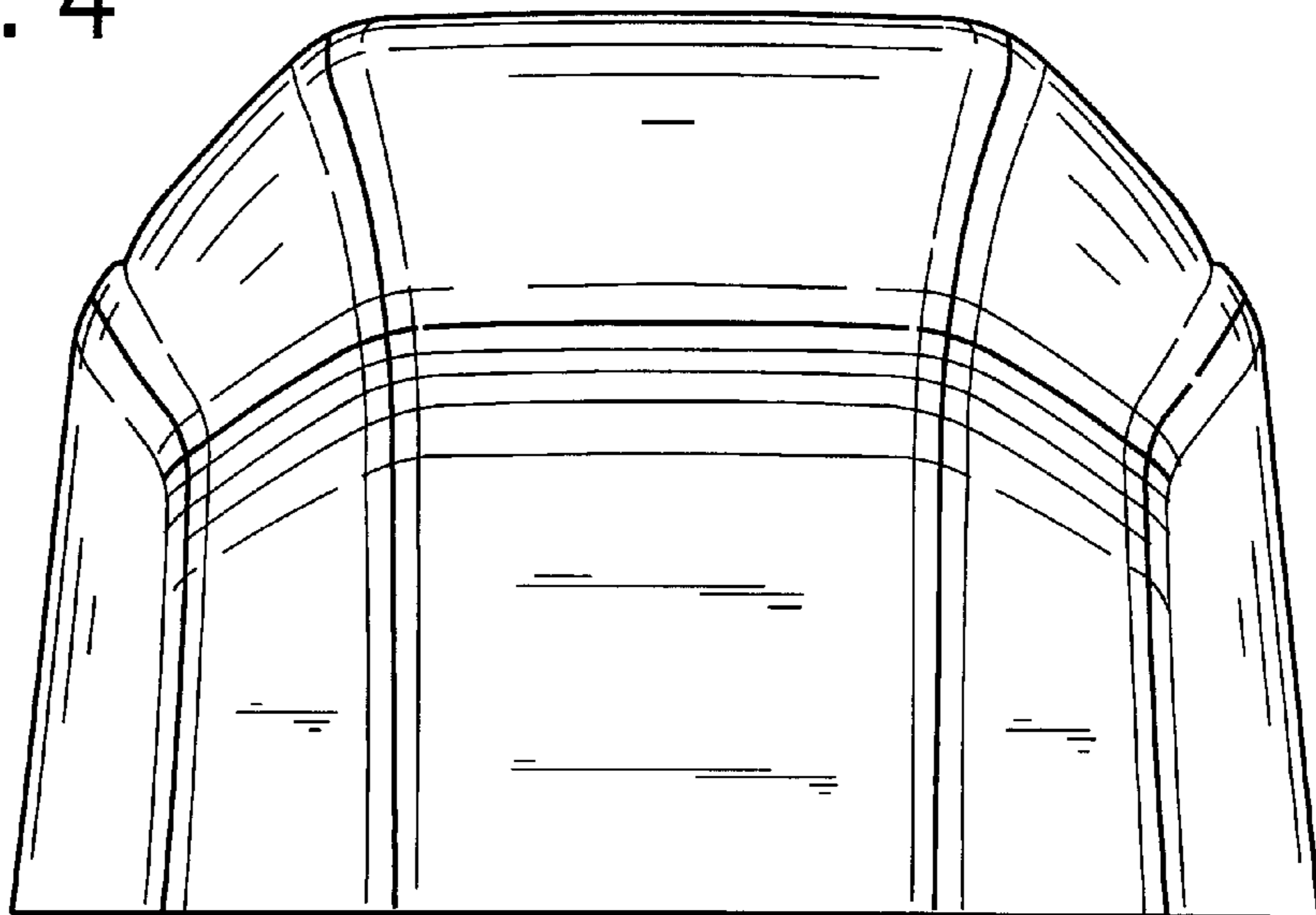


FIG. 5

