



US00D462361S

(12) **United States Design Patent**
Lewtan

(10) **Patent No.:** **US D462,361 S**

(45) **Date of Patent:** **** Sep. 3, 2002**

(54) **MOUSE PAD**

(75) Inventor: **Marvin Lewtan**, Hartford, CT (US)

(73) Assignee: **Lewtan Industries Corporation**,
Hartford, CT (US)

(**) Term: **14 Years**

(21) Appl. No.: **29/147,451**

(22) Filed: **Aug. 30, 2001**

Related U.S. Application Data

(62) Division of application No. 29/128,163, filed on Aug. 21, 2000, and a division of application No. 29/086,566, filed on Apr. 15, 1998, now Pat. No. Des. 447,488.

(51) **LOC (7) Cl.** **14-02**

(52) **U.S. Cl.** **D14/458; D14/459**

(58) **Field of Search** D14/458, 459,
D14/460, 455, 456, 457; D6/582-594, 601;
248/118.1, 346.01, 917-924, 118.3, 118.5;
400/689-693; 428/85, 90, 95, 96, 318.6,
319.3; 345/156-167; D21/809

(56) **References Cited**

U.S. PATENT DOCUMENTS

D209,118 S	10/1967	Grube	D24/206
D306,473 S	3/1990	Scheurer	D21/237
D309,169 S	7/1990	Scheurer	D21/237
5,131,614 A	7/1992	Garcia et al.	248/118
D328,598 S	8/1992	Massey	D14/114
5,228,655 A	7/1993	Garcia et al.	248/118
D338,195 S	8/1993	Sugerman	D14/114
D342,243 S	12/1993	Land	D14/114
D343,821 S	2/1994	Bush et al.	D14/114 X
D347,422 S	5/1994	Taslitz	D14/114
D355,647 S	2/1995	Gresko	D14/114
D370,474 S	6/1996	Kirchhoff et al.	D14/114

D372,903 S	8/1996	Juster	D14/114
D408,388 S	4/1999	Wiggins	D14/455
D447,488 S	9/2001	Lewtan	D14/459
D453,765 S	* 2/2002	Lewtan	D14/459

* cited by examiner

Primary Examiner—Kay H. Chin

(74) *Attorney, Agent, or Firm*—Greenblum & Bernstein, P.L.C.

(57) **CLAIM**

I claim the ornamental design for a mouse pad, as shown and described.

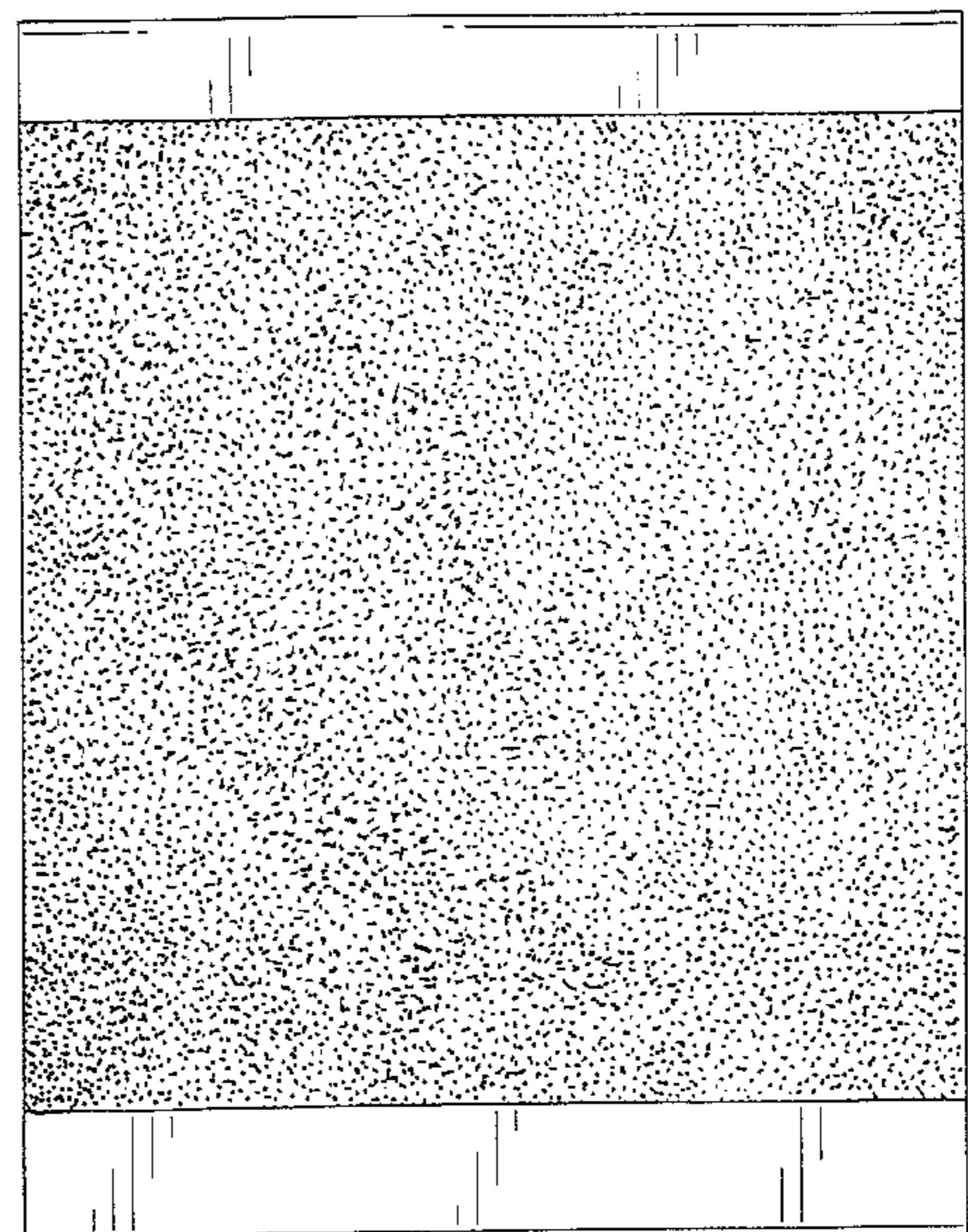
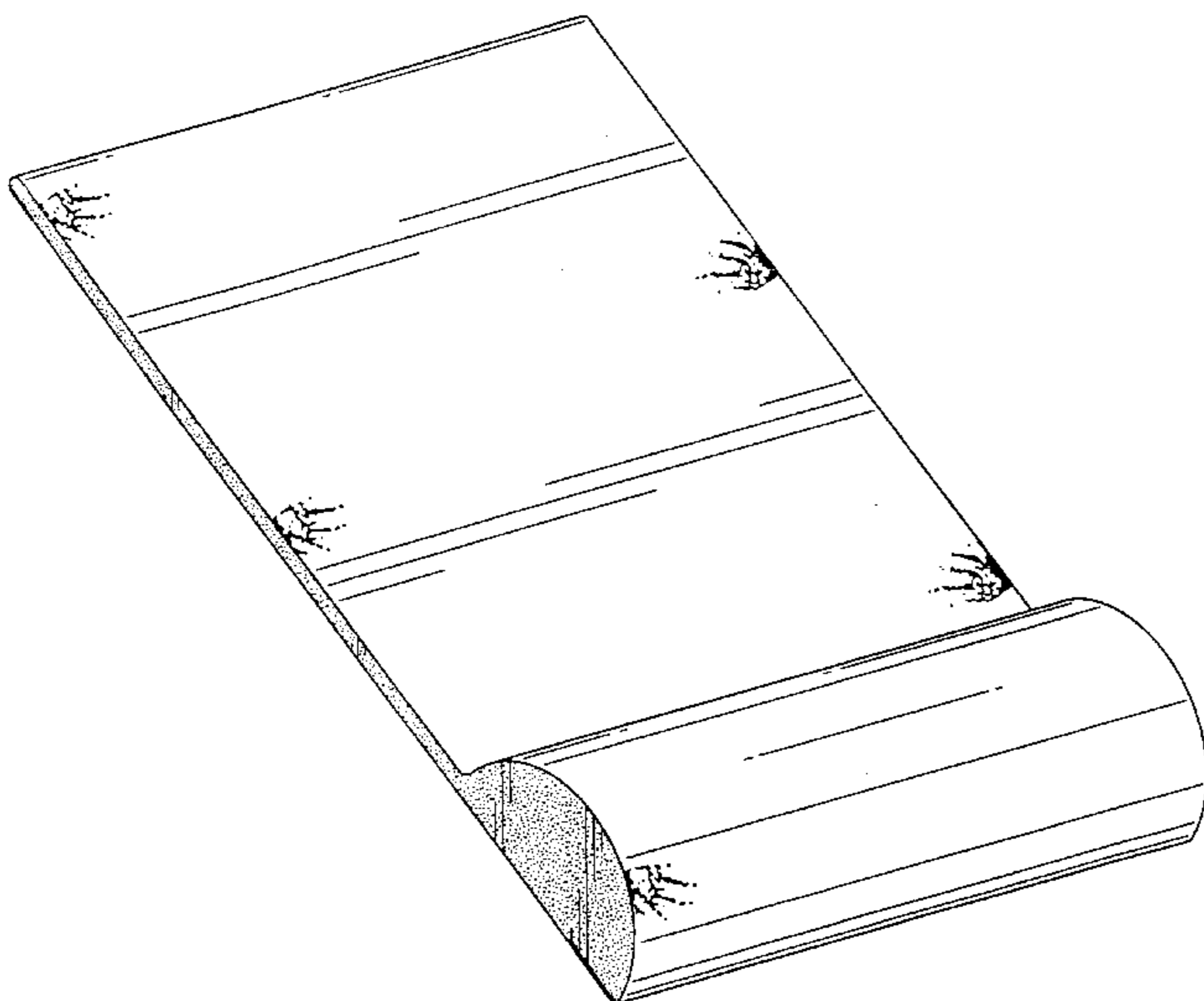
DESCRIPTION

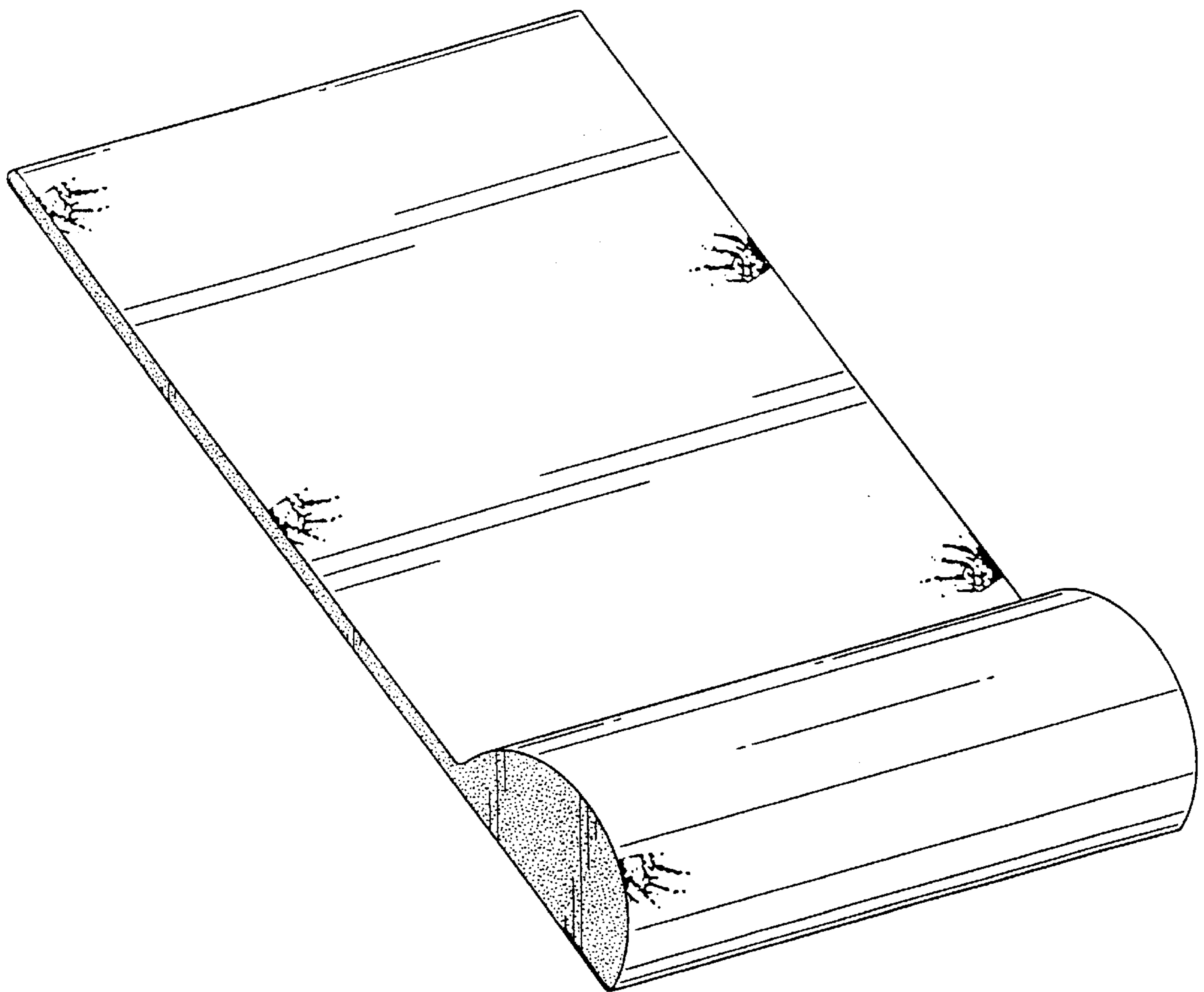
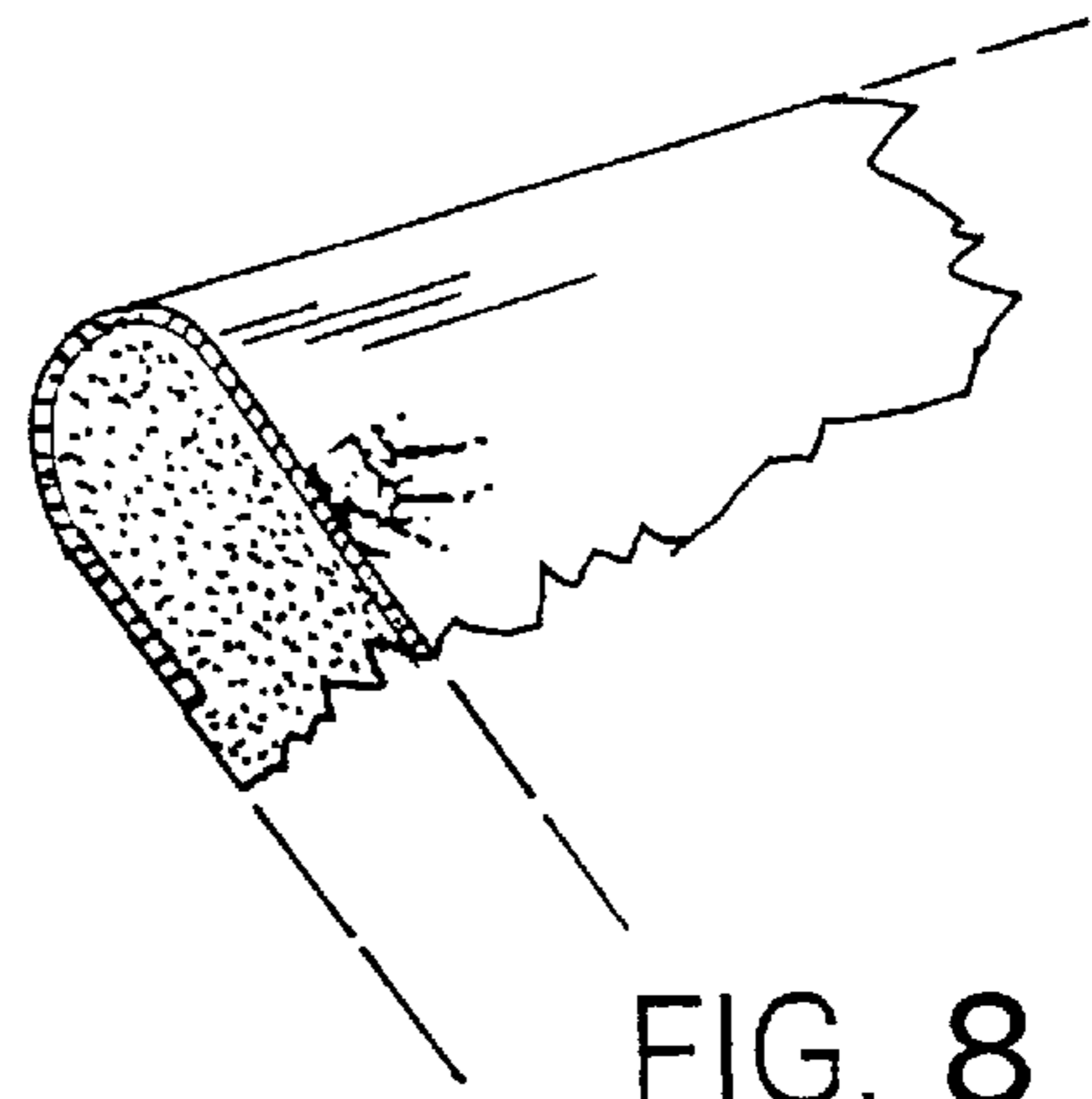
FIG. 1 illustrates, in a front and right perspective view, a mouse pad according to my new design;
FIG. 2 illustrates a top view thereof;
FIG. 3 illustrates a right side view thereof;
FIG. 4 illustrates a left side view thereof;
FIG. 5 illustrates a rear end view thereof;
FIG. 6 illustrates a front end view thereof;
FIG. 7 illustrates a bottom view thereof;
FIG. 8 illustrates an enlarged, partial cut-away, view of the upper right corner of FIG. 1; and,
FIG. 9 illustrates an alternative bottom view, which can be used with the mouse pad illustrated in FIGS. 1-6 and 8.

In the drawing figures, graphic symbols are used to indicate a fabric covering on the top and end surfaces, and on the front and rear end regions of the bottom, of the mouse pad according to my design, and a compressible foam that is exposed on the sides and in an intermediate region of the bottom.

The depiction shown in FIG. 9 is representative of a diamond-hatched pattern on the aforementioned intermediate region of the bottom.

1 Claim, 7 Drawing Sheets





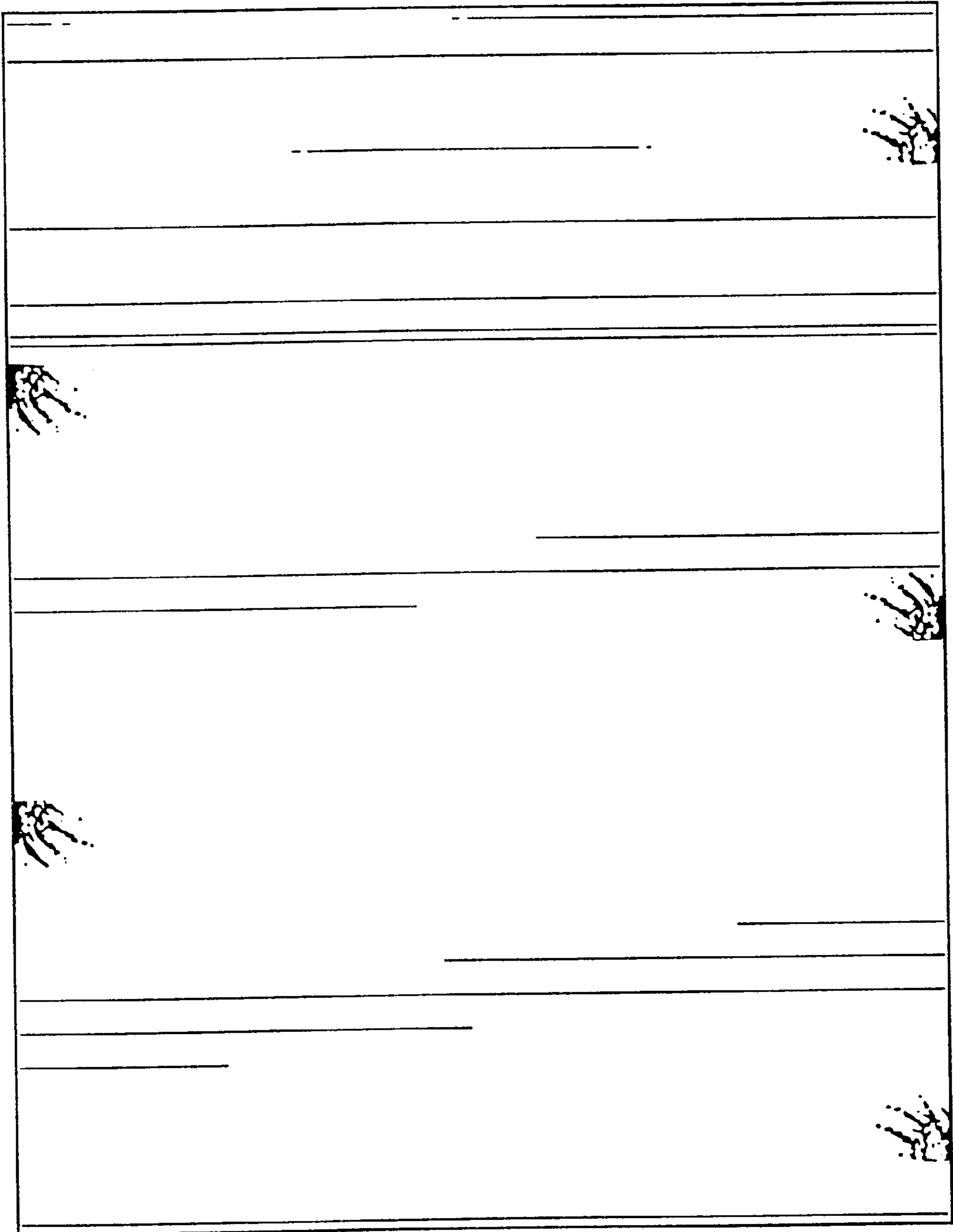


FIG. 2

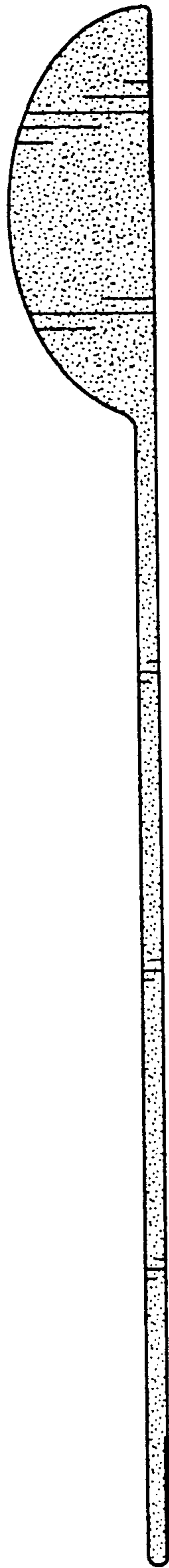


FIG. 3

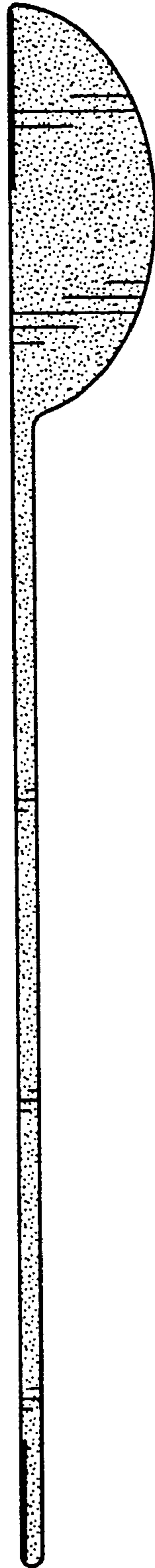


FIG. 4



FIG. 5

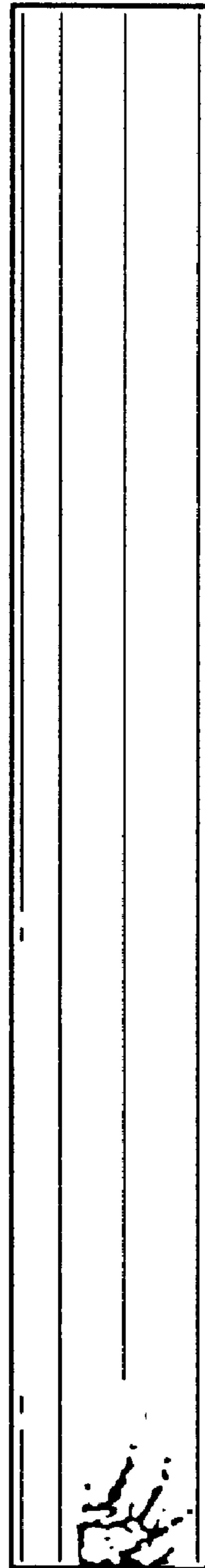


FIG. 6

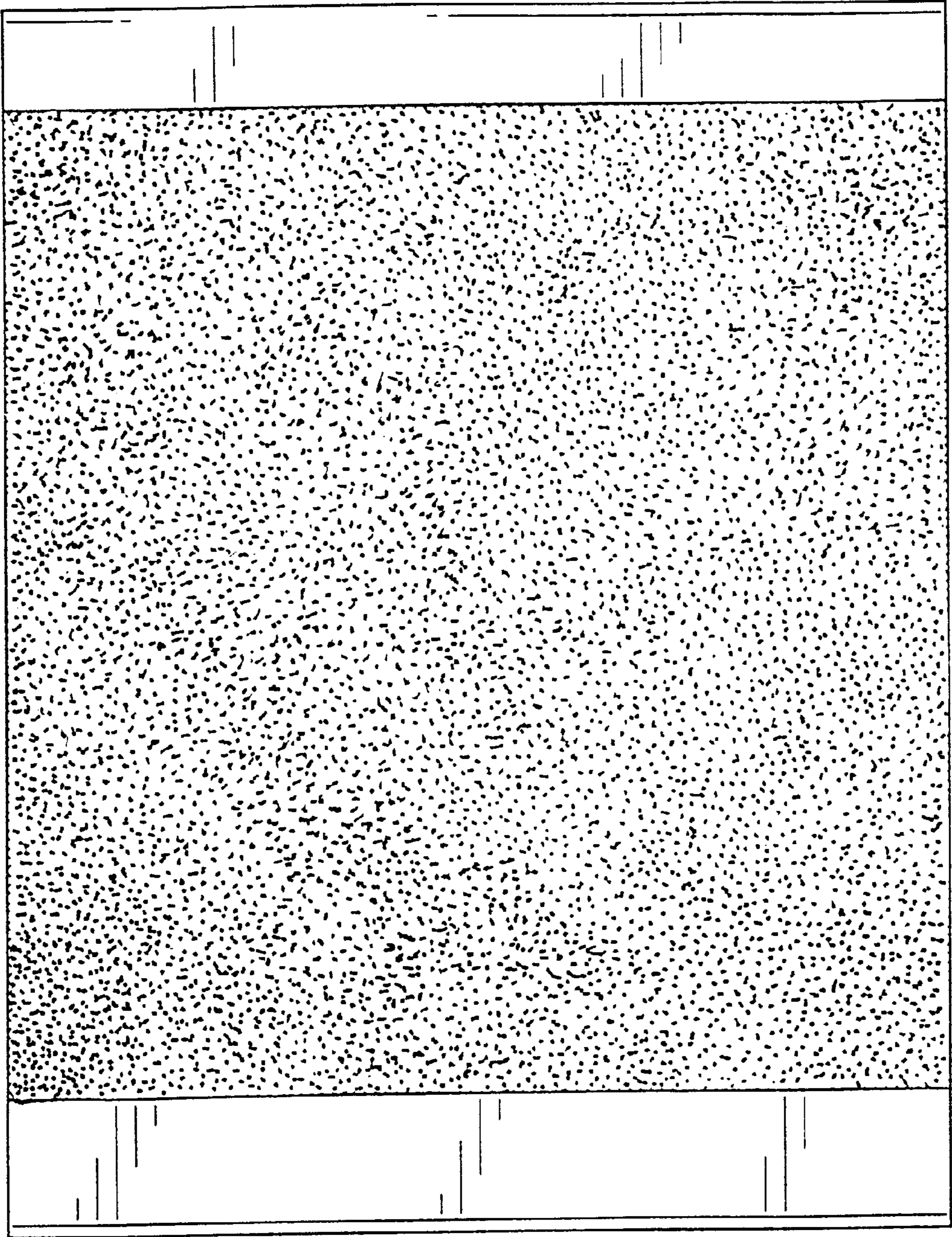


FIG. 7

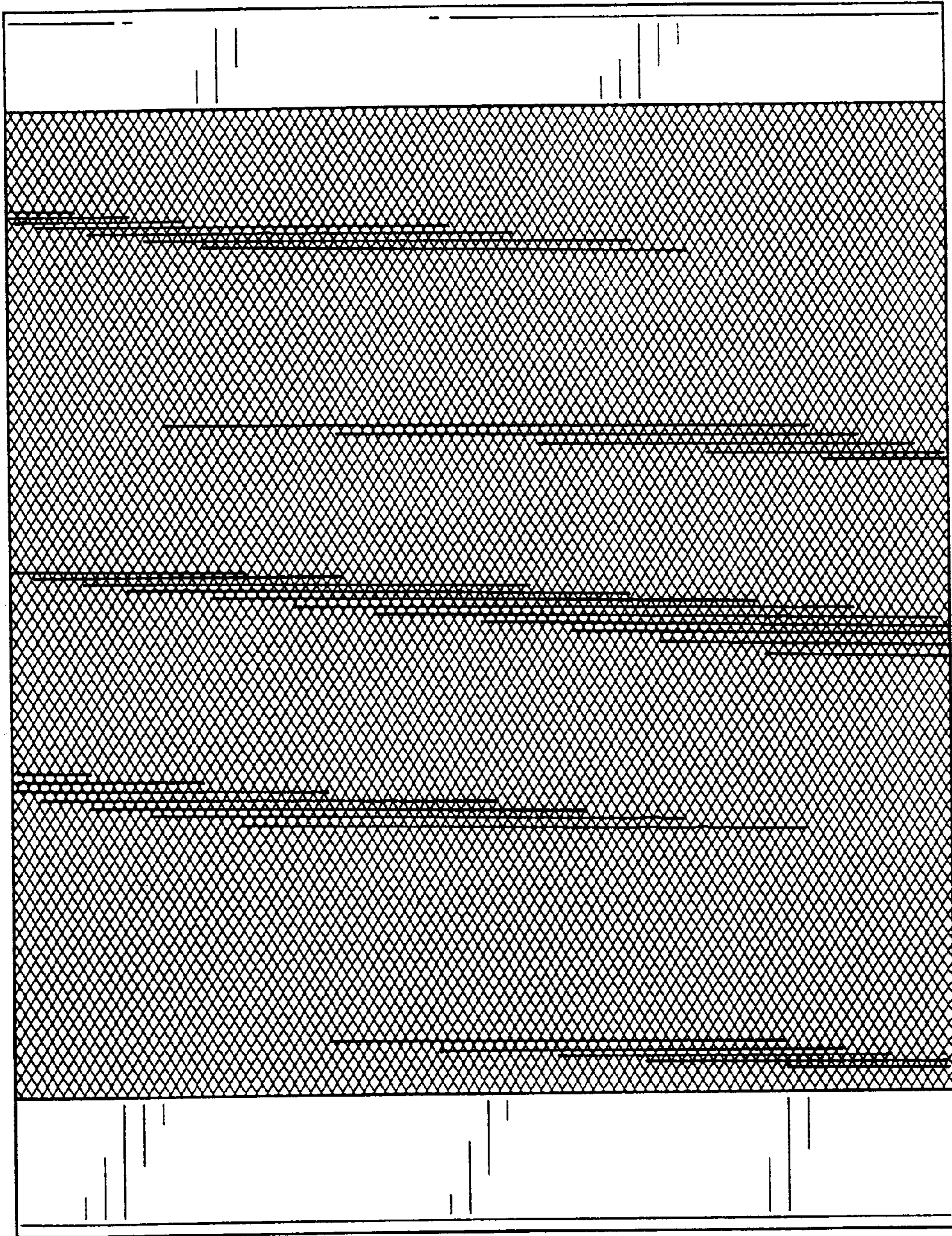


FIG. 9