



US00D462353S

(12) **United States Design Patent**  
**Kita**

(10) **Patent No.:** **US D462,353 S**

(45) **Date of Patent:** **\*\* Sep. 3, 2002**

(54) **VIDEO MONITOR**

(75) Inventor: **Toshiyuki Kita**, Osaka-fu (JP)

(73) Assignee: **Sharp Kabushiki Kaisha**, Osaka (JP)

(\*\*) Term: **14 Years**

(21) Appl. No.: **29/148,352**

(22) Filed: **Sep. 19, 2001**

(30) **Foreign Application Priority Data**

Mar. 19, 2001 (JP) ..... 2001-007111

(51) **LOC (7) Cl.** ..... **14-02**

(52) **U.S. Cl.** ..... **D14/374**

(58) **Field of Search** ..... D14/371, 374-376,  
D14/125-129; 341/12; 345/104, 156, 168,  
173; 348/180, 184, 325, 739; 349/1, 2,  
11, 62

(56) **References Cited**

**U.S. PATENT DOCUMENTS**

D392,628 S \* 3/1998 Hayashi ..... D14/126  
D395,453 S \* 6/1998 Kawasaki et al. .... D14/374  
D427,169 S 6/2000 Saeki et al.

D429,227 S 8/2000 Shimizu  
D431,537 S 10/2000 Saeki et al.  
D432,101 S \* 10/2000 Oba ..... D14/126  
D438,848 S 3/2001 Kita  
D439,224 S 3/2001 Kita  
D439,225 S 3/2001 Kita

\* cited by examiner

*Primary Examiner*—Freda Nunn

(74) *Attorney, Agent, or Firm*—Nixon & Vanderhye

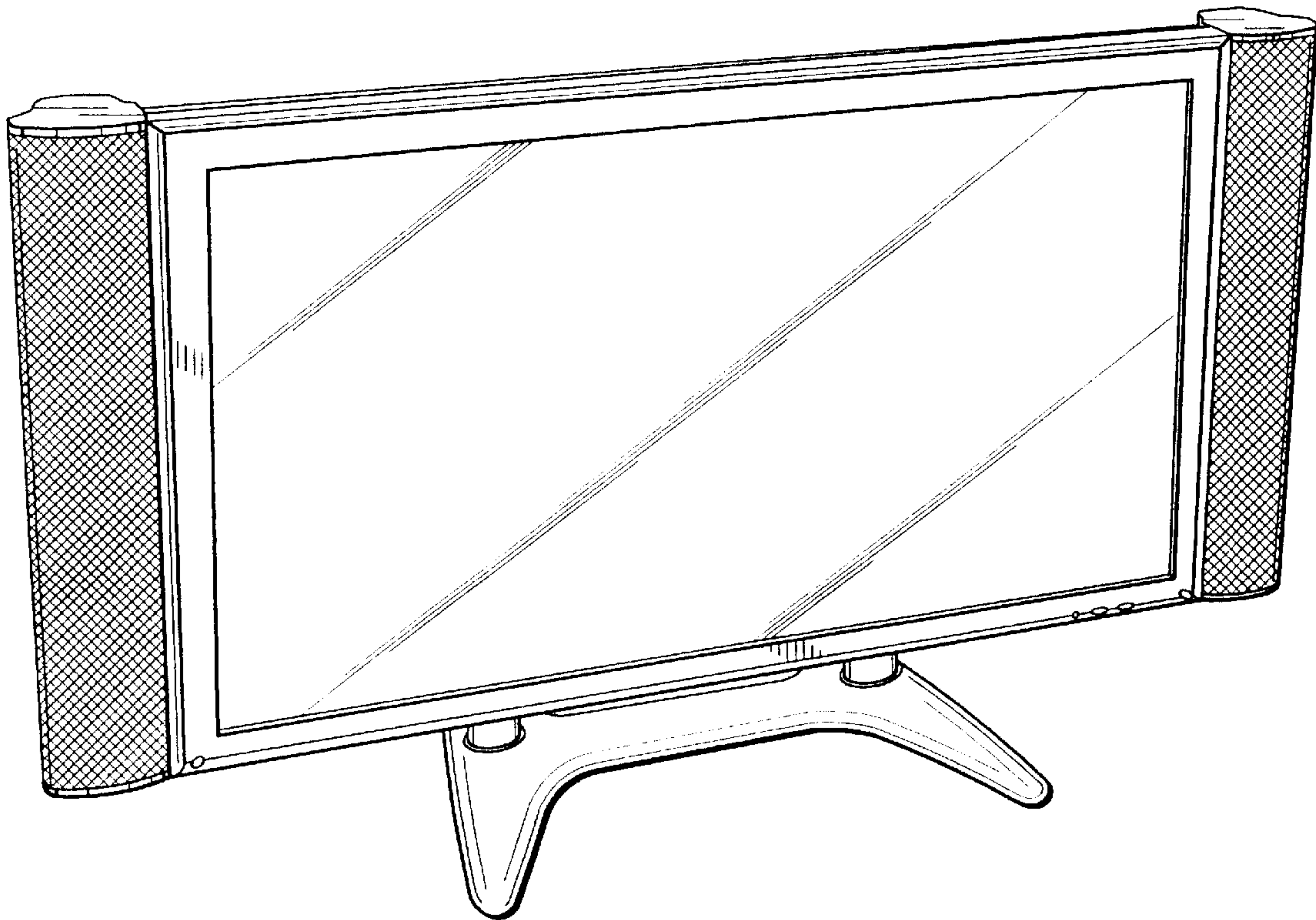
(57) **CLAIM**

The ornamental design for a video monitor, as shown and described.

**DESCRIPTION**

FIG. 1 is a top, front and left side perspective view of a video monitor according to my design;  
FIG. 2 is a front elevational view thereof;  
FIG. 3 is a rear elevational view thereof;  
FIG. 4 is a top plan view thereof;  
FIG. 5 is a bottom plan view thereof; and,  
FIG. 6 is a right side elevational view thereof, the left side elevational view being a mirror image thereof.

**1 Claim, 5 Drawing Sheets**



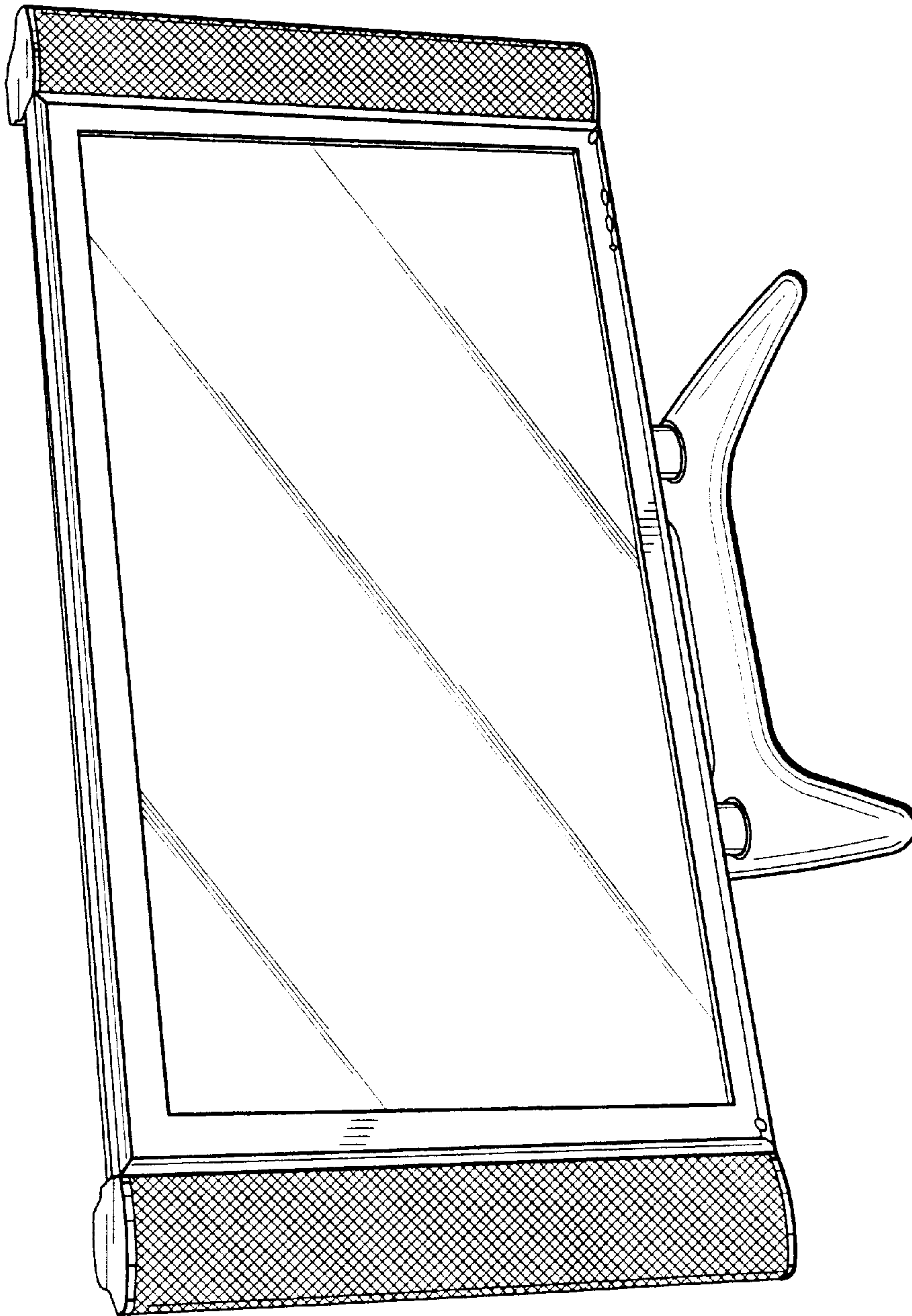


Fig.1

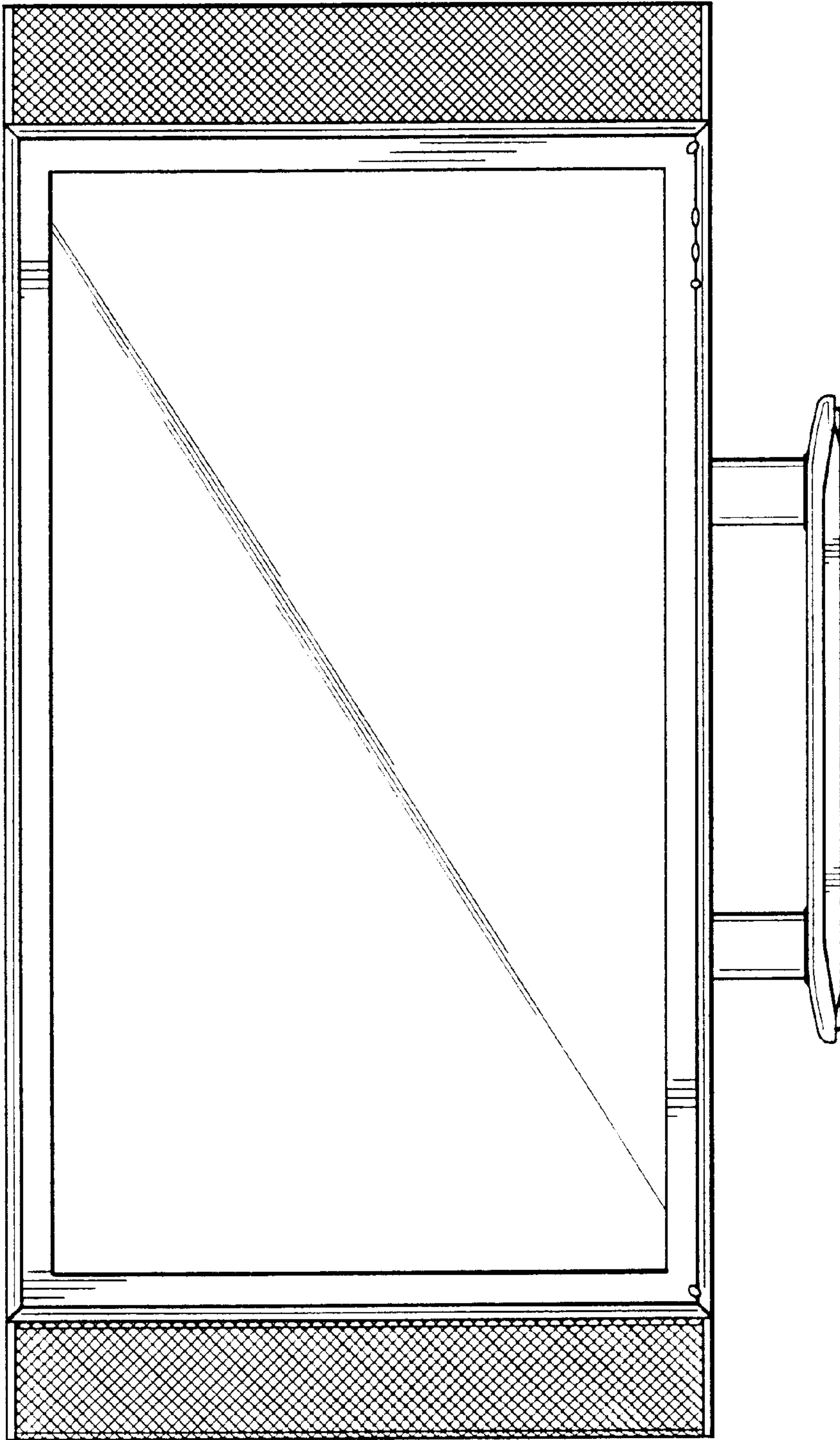


Fig.2



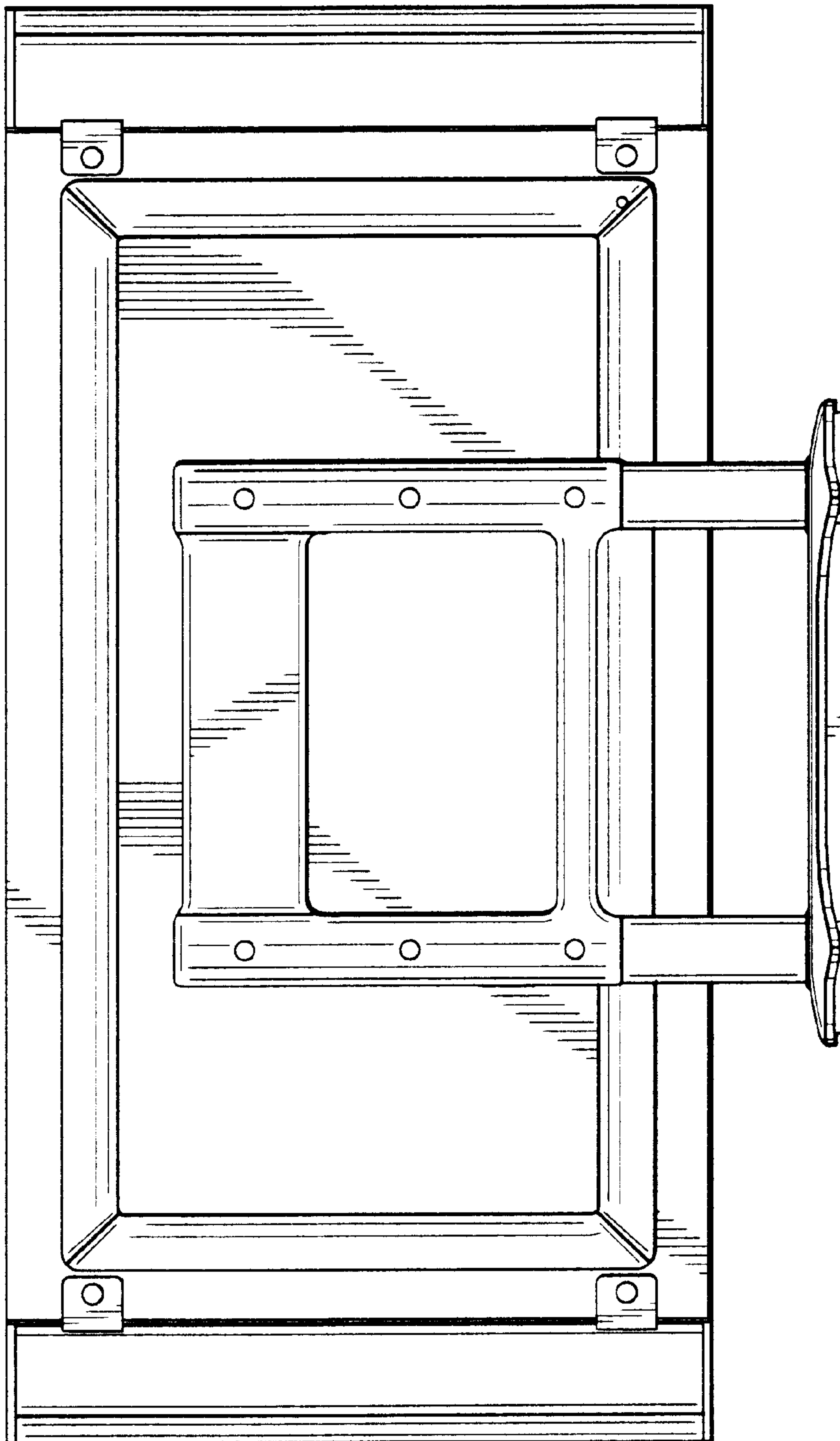


Fig. 3

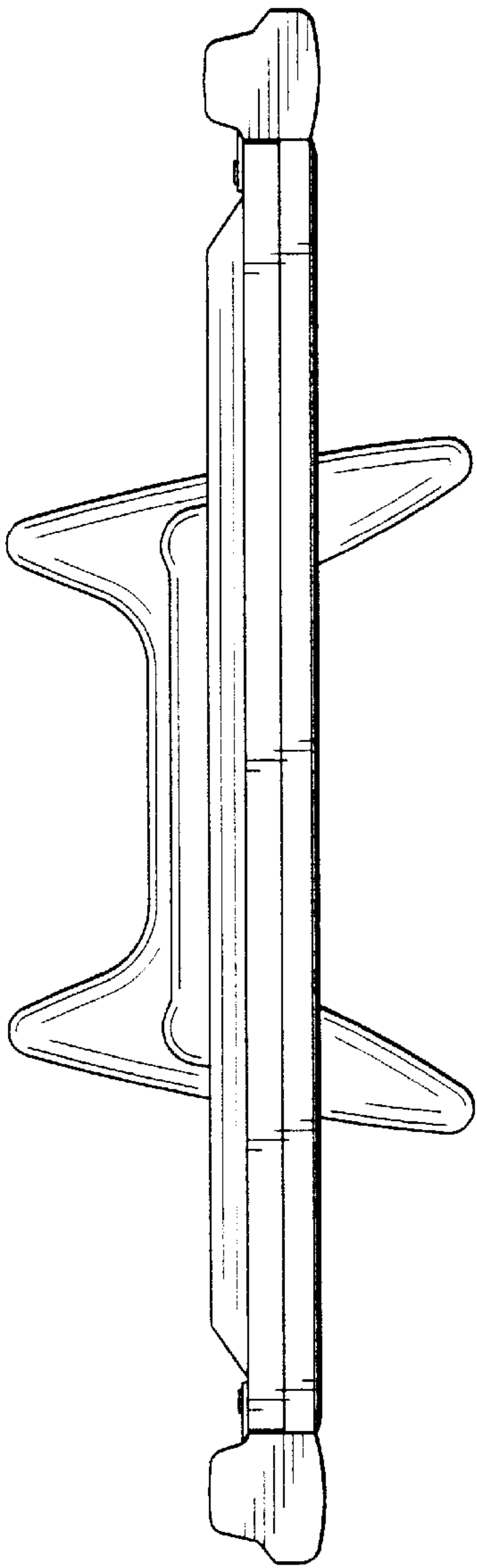


Fig. 4

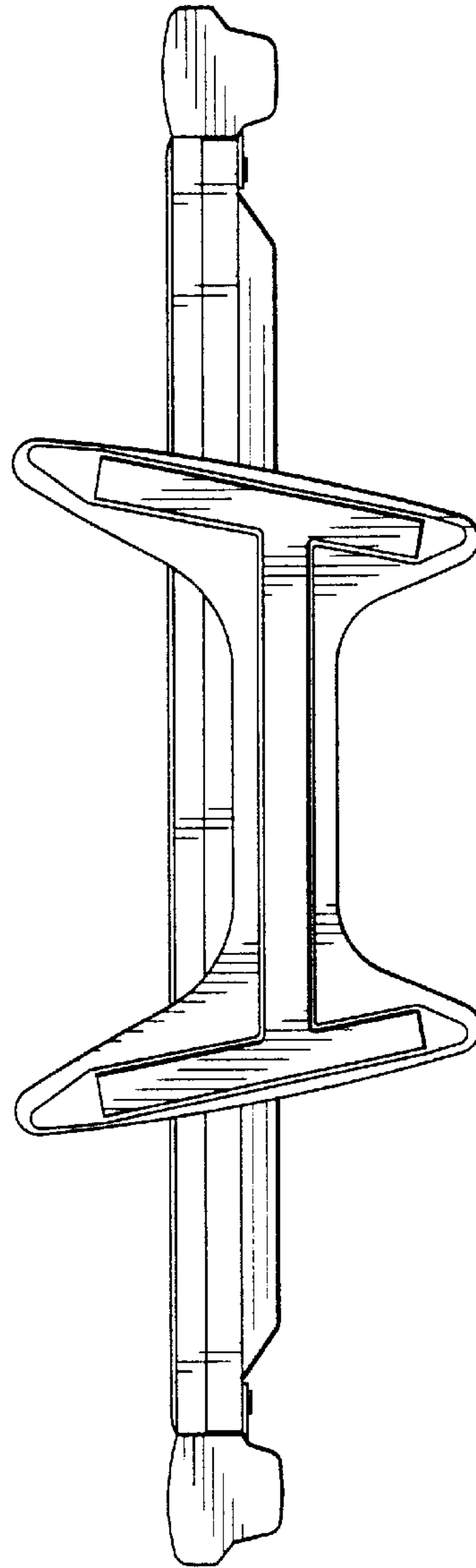


Fig. 5

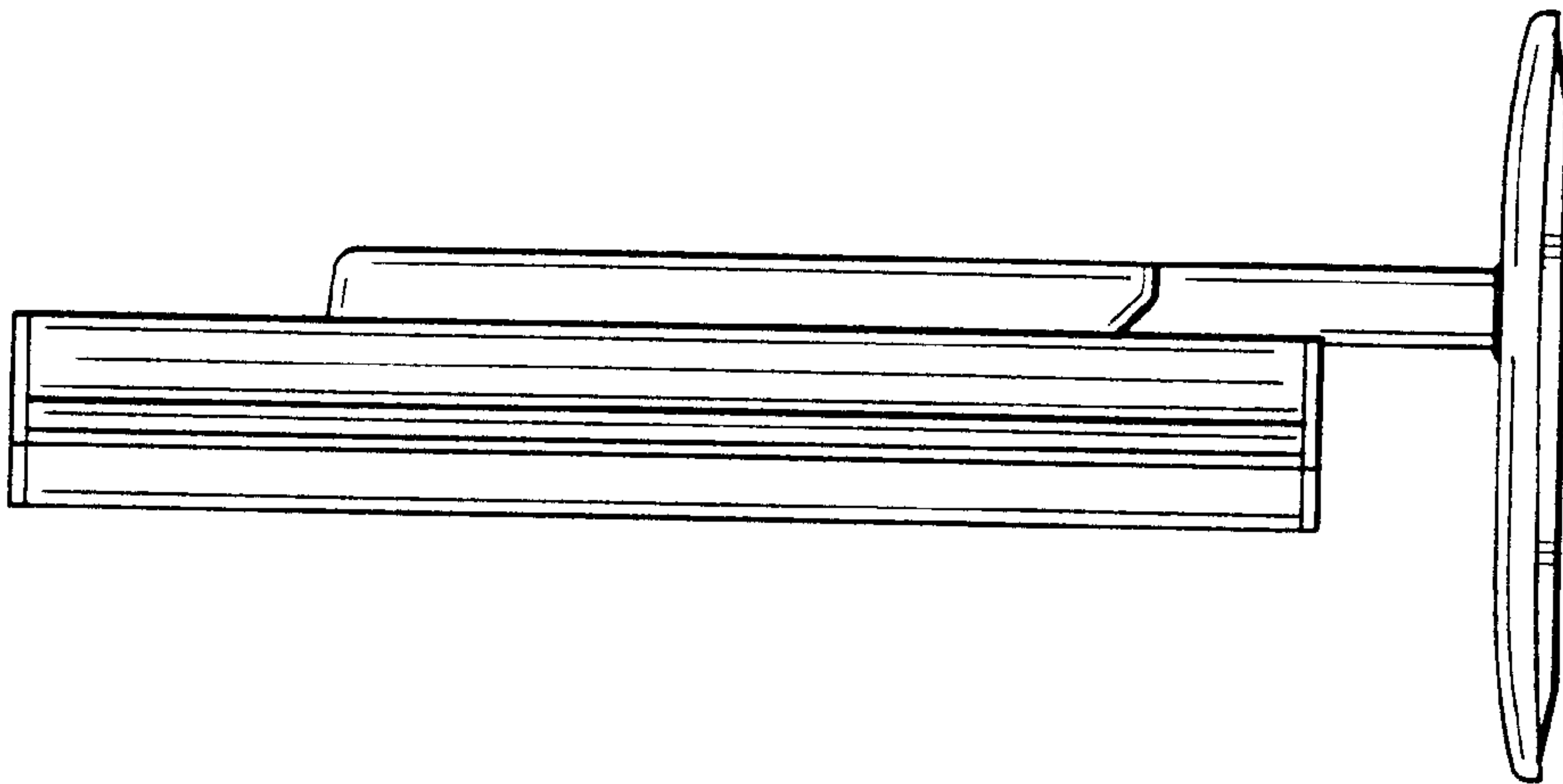


Fig.6