



US00D462352S

(12) **United States Design Patent**  
**Goto**

(10) **Patent No.:** **US D462,352 S**

(45) **Date of Patent:** **\*\* Sep. 3, 2002**

(54) **DISPLAY FOR ARITHMETIC AND CONTROL UNIT**

(75) **Inventor:** **Teiyu Goto, Tokyo (JP)**

(73) **Assignee:** **Sony Computer Entertainment Inc., Tokyo (JP)**

(\*\*) **Term:** **14 Years**

(21) **Appl. No.:** **29/146,027**

(22) **Filed:** **Aug. 3, 2001**

(30) **Foreign Application Priority Data**

May 14, 2001 (JP) ..... 2001-017604

(51) **LOC (7) Cl.** ..... **14-02**

(52) **U.S. Cl.** ..... **D14/371**

(58) **Field of Search** ..... D14/336, 337, D14/371, 135, 136, 156, 125-130; D21/332, 333, 324; 341/12; 345/104, 133, 156, 168, 173, 87; 348/180, 184, 325, 739; 349/1, 2, 11, 62

(56) **References Cited**

**U.S. PATENT DOCUMENTS**

D224,233 S \* 7/1972 Fujita ..... D14/371

D331,747 S \* 12/1992 Takahashi ..... D14/336  
D364,648 S \* 11/1995 Osterhout ..... D21/324  
D367,895 S \* 3/1996 Goto ..... D21/332  
D398,659 S \* 9/1998 Yokoi ..... D21/333  
D408,395 S \* 4/1999 Sakamoto et al. .... D14/136  
D408,408 S \* 4/1999 Ito et al. .... D14/156  
D434,399 S \* 11/2000 Lanet ..... D14/130

\* cited by examiner

*Primary Examiner*—Freda Nunn

(74) *Attorney, Agent, or Firm*—Rader, Fishman & Grauer, PLLC

(57) **CLAIM**

The ornamental design for a display for arithmetic and control unit, as shown and described.

**DESCRIPTION**

FIG. 1 is a front elevational view of a display for arithmetic and control unit showing my new design;  
FIG. 2 is a rear elevational view thereof;  
FIG. 3 is a left side elevational view thereof, a right side elevational view thereof being a mirror image;  
FIG. 4 is a top plan view thereof; and,  
FIG. 5 is a bottom plan view thereof.

**1 Claim, 2 Drawing Sheets**

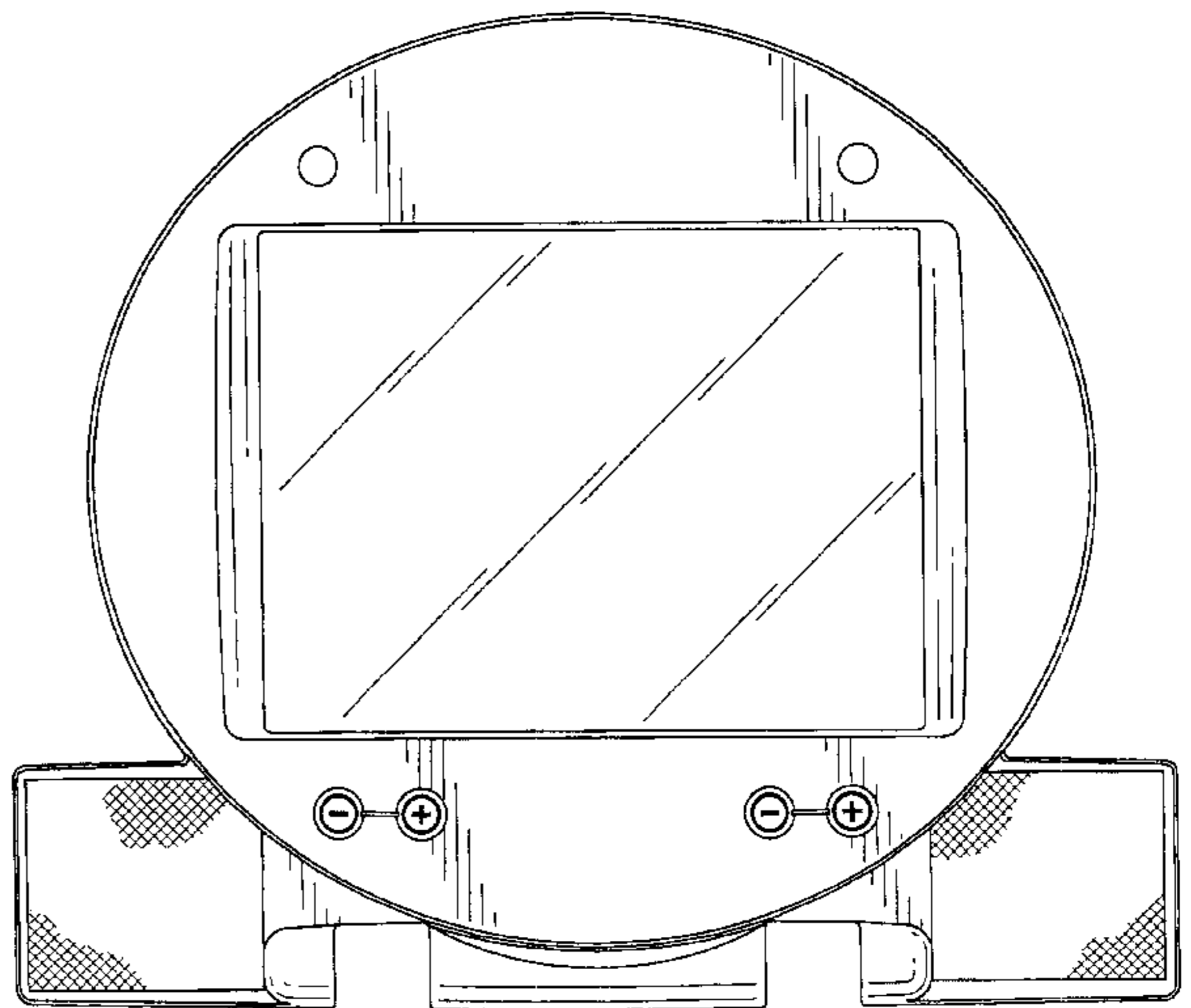
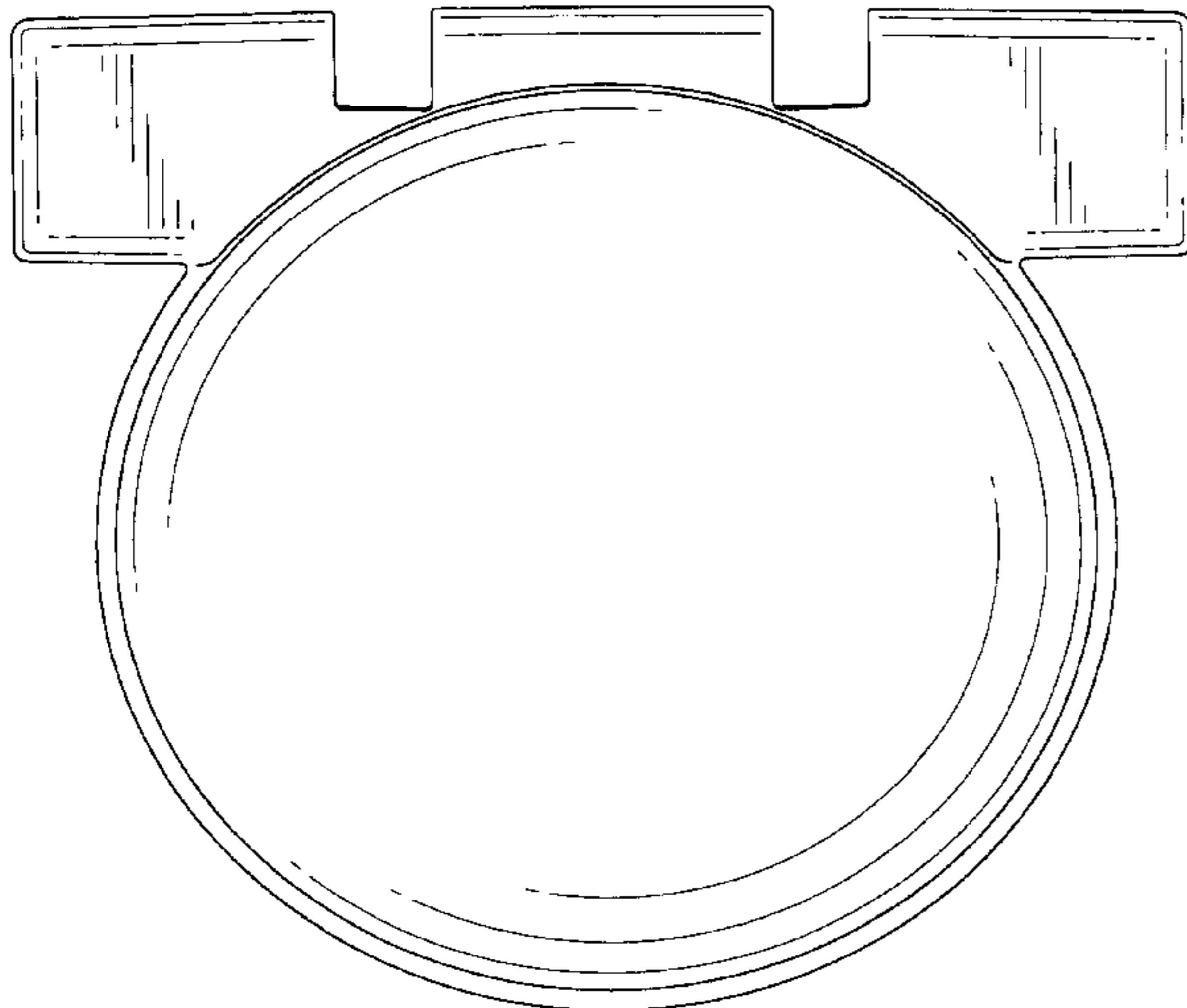


FIG. 1

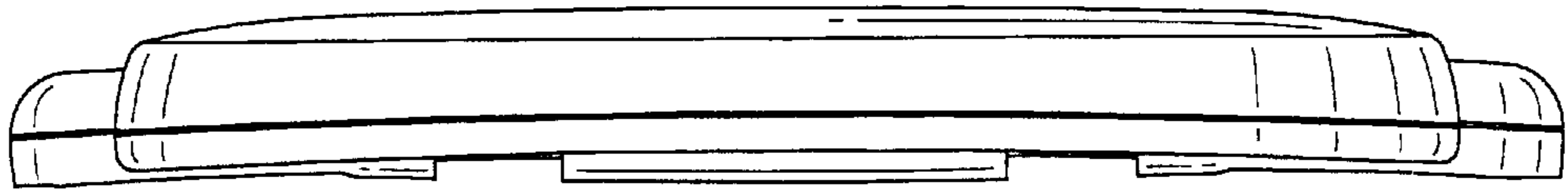


FIG. 2

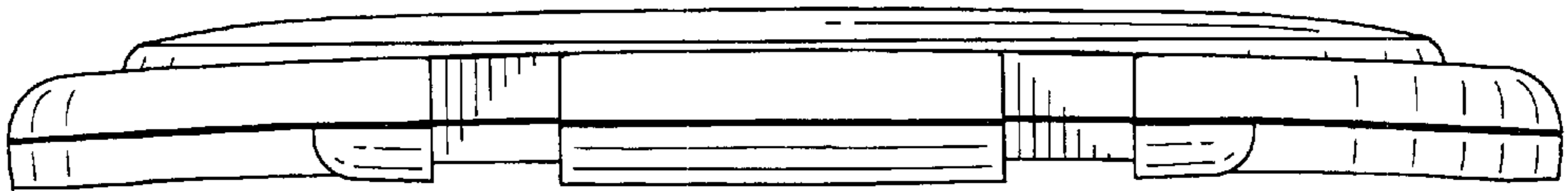
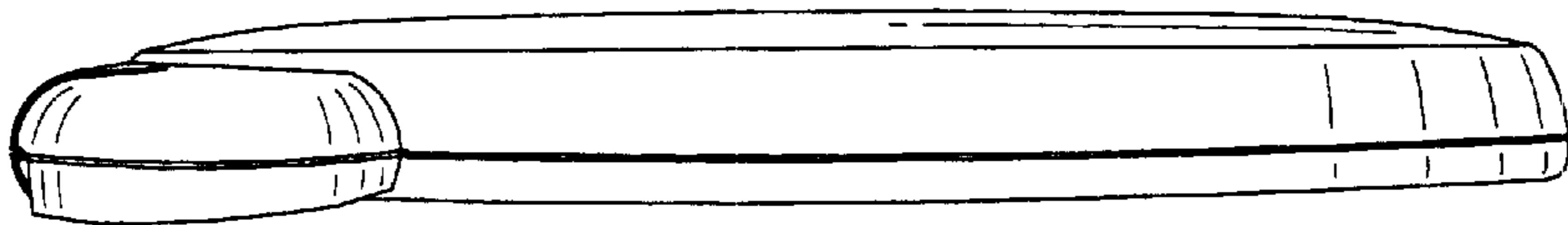


FIG. 3



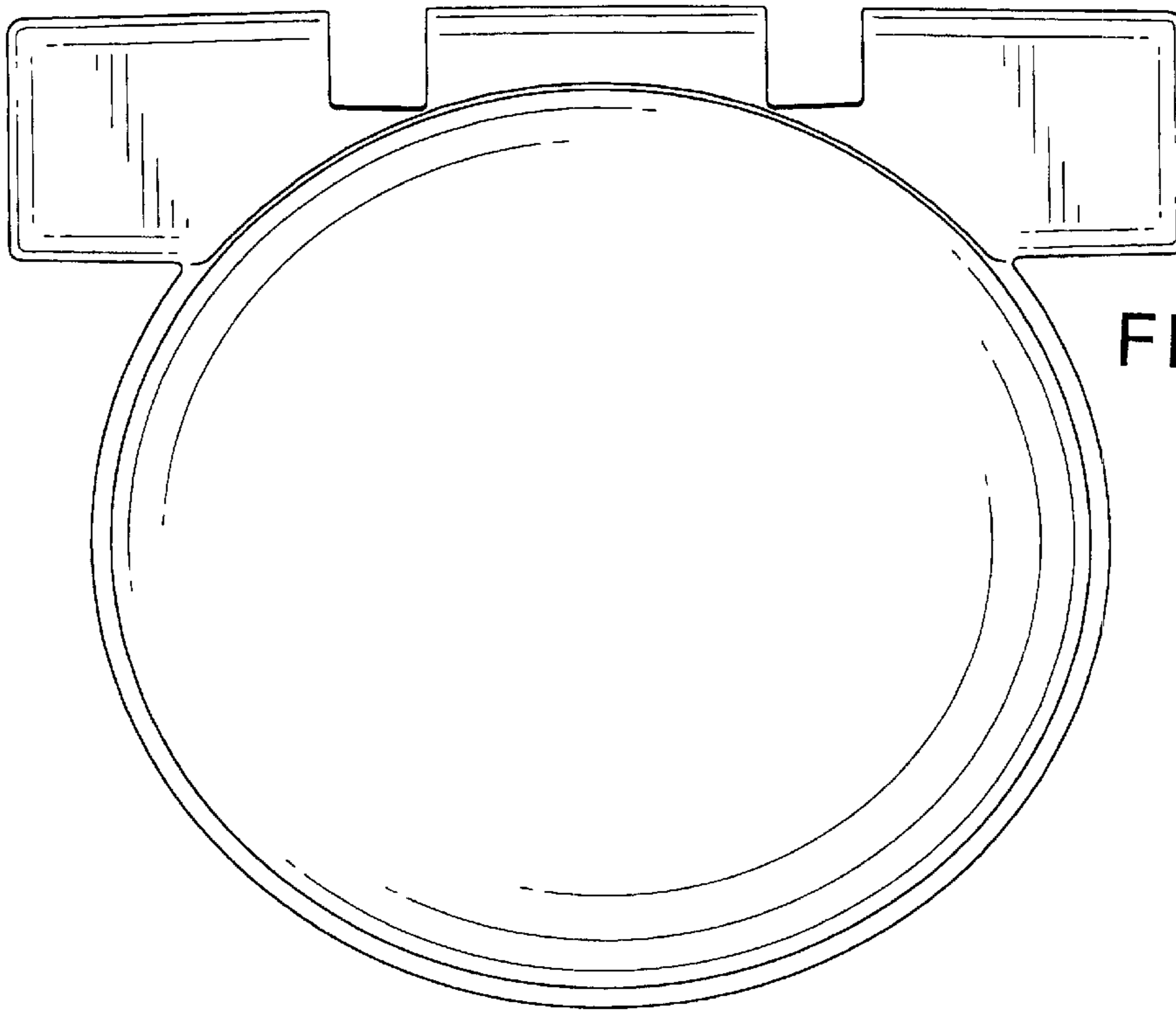


FIG. 4

FIG. 5

