



US00D462346S

(12) **United States Design Patent**  
**Abboud**

(10) **Patent No.:** **US D462,346 S**

(45) **Date of Patent:** **\*\* Sep. 3, 2002**

(54) **ROUND COMPUTER TABLE**

*Primary Examiner*—Freda Nunn

(74) *Attorney, Agent, or Firm*—Adam H. Jacobs

(76) **Inventor:** **Joseph Abboud**, 4806 S. 184th Plz.,  
Omaha, NE (US) 68138

(\*\*) **Term:** **14 Years**

(57) **CLAIM**

(21) **Appl. No.:** **29/145,153**

The ornamental design for a round computer table, as shown and described.

(22) **Filed:** **Jul. 17, 2001**

(51) **LOC (7) Cl.** ..... **14-02**

**DESCRIPTION**

(52) **U.S. Cl.** ..... **D14/304**

(58) **Field of Search** ..... D14/304, 305;  
D6/422, 480, 486, 396; 312/208.1, 223.1–223.3

FIG. 1 is a perspective view of the round computer table of the present invention;

FIG. 2 is a front inverse view thereof;

FIG. 3 is top plan view thereof;

FIG. 4 is a side elevational view thereof;

FIG. 5 is rear elevational view thereof; and,

FIG. 6 is bottom plan view thereof.

(56) **References Cited**

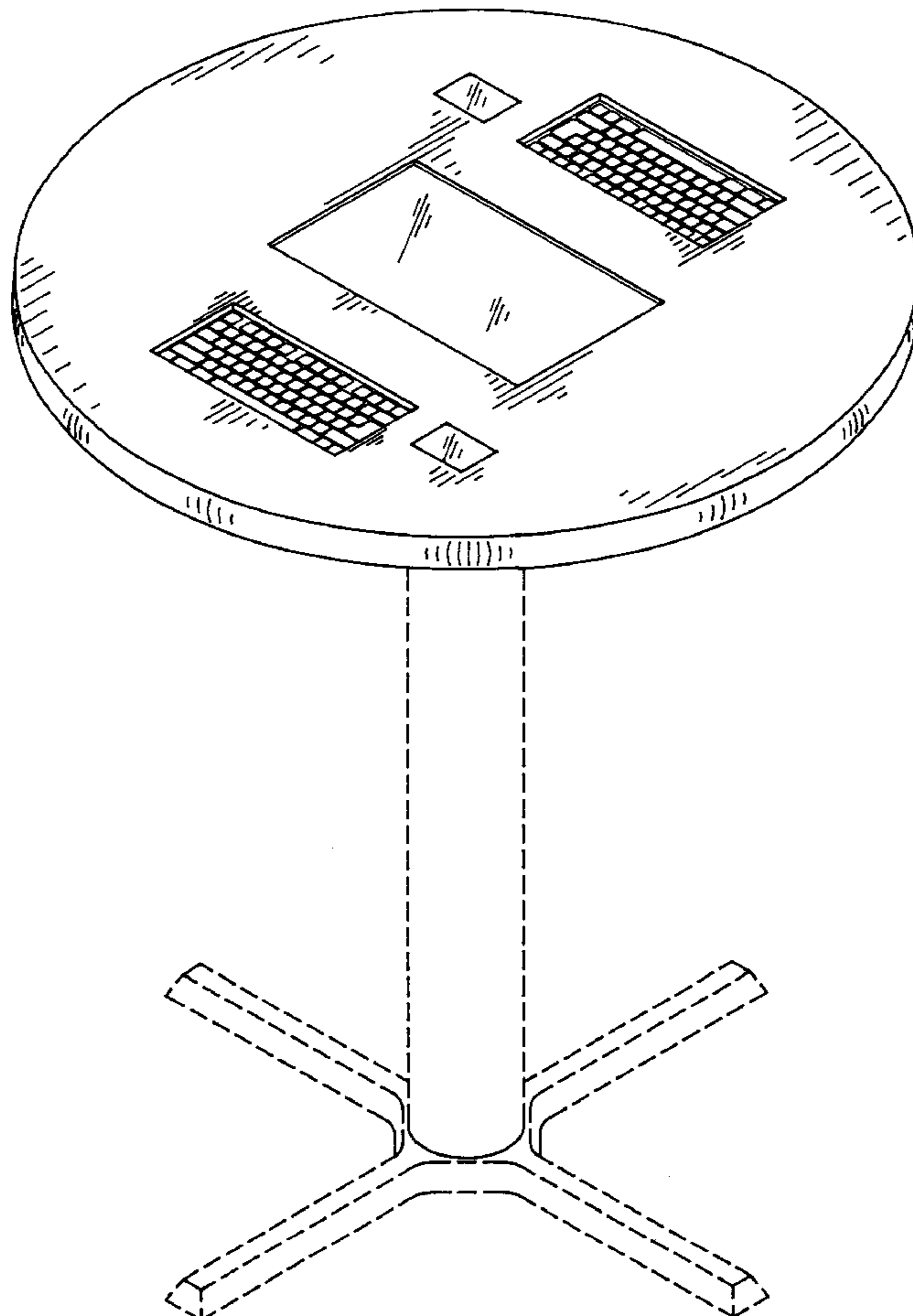
**U.S. PATENT DOCUMENTS**

D216,712 S	*	3/1970	Cooper	.....	D6/422
D329,554 S	*	9/1992	Diffrient	.....	D6/486
D360,545 S	*	7/1995	Lechman	.....	D6/422
D372,601 S	*	8/1996	Roberts et al.	.....	D6/422
5,806,943 A	*	9/1998	Dell et al.	.....	312/223.3
D432,809 S	*	10/2000	Hewitt	.....	D6/396

The broken line showing the table stand in FIG. 1 is illustrative of environmental structure only and forms no part of the claimed design.

\* cited by examiner

**1 Claim, 3 Drawing Sheets**



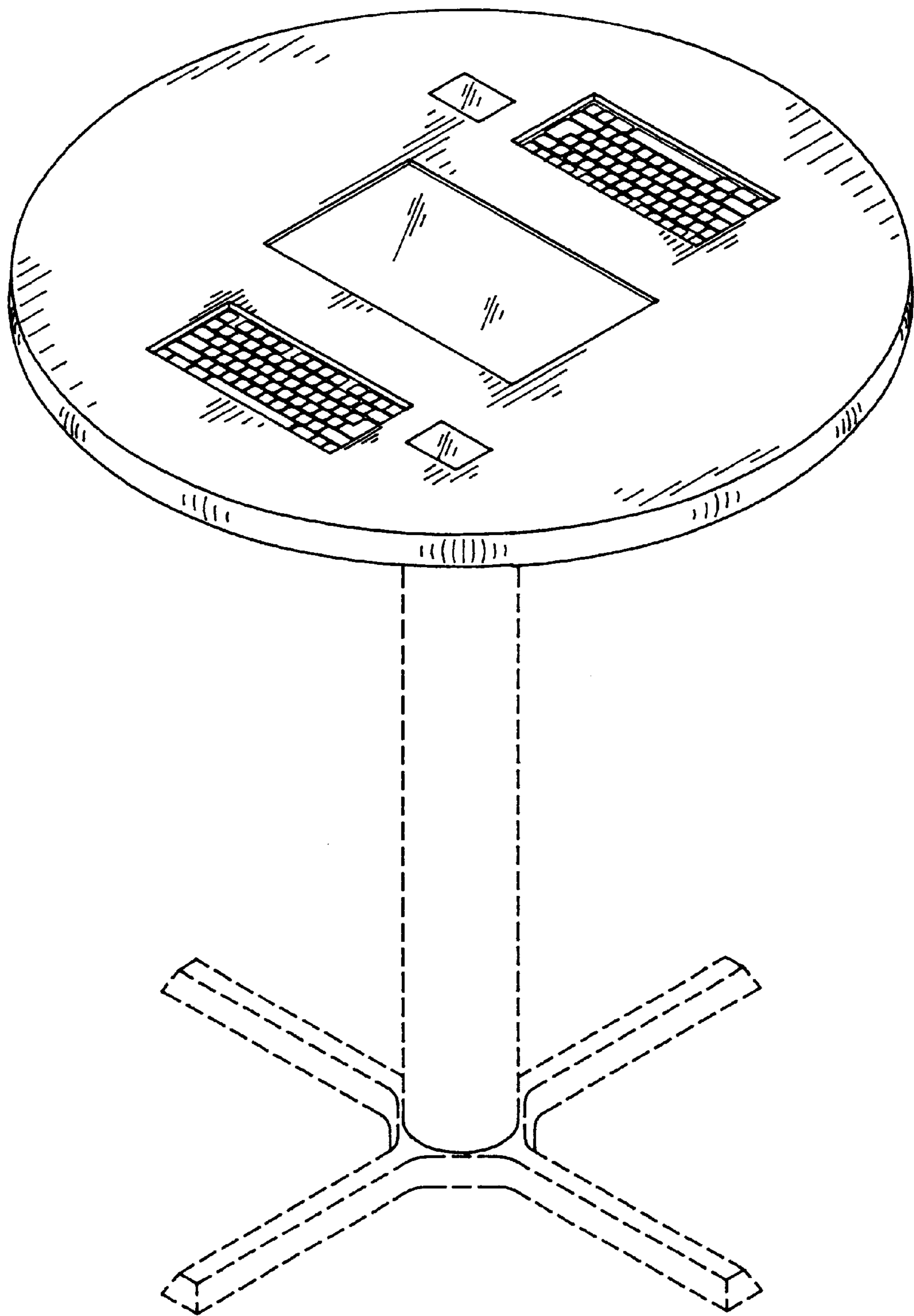


FIG. 1

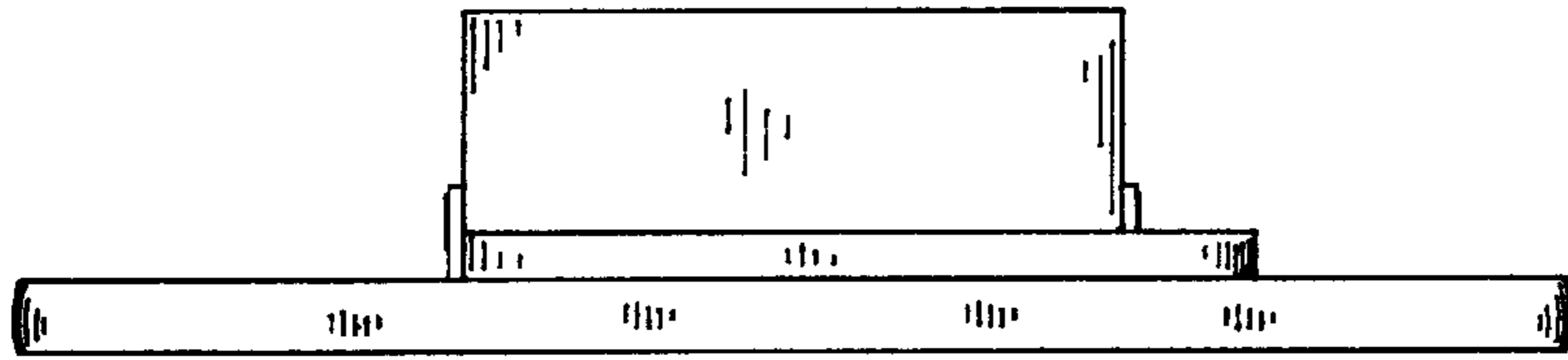


FIG. 2

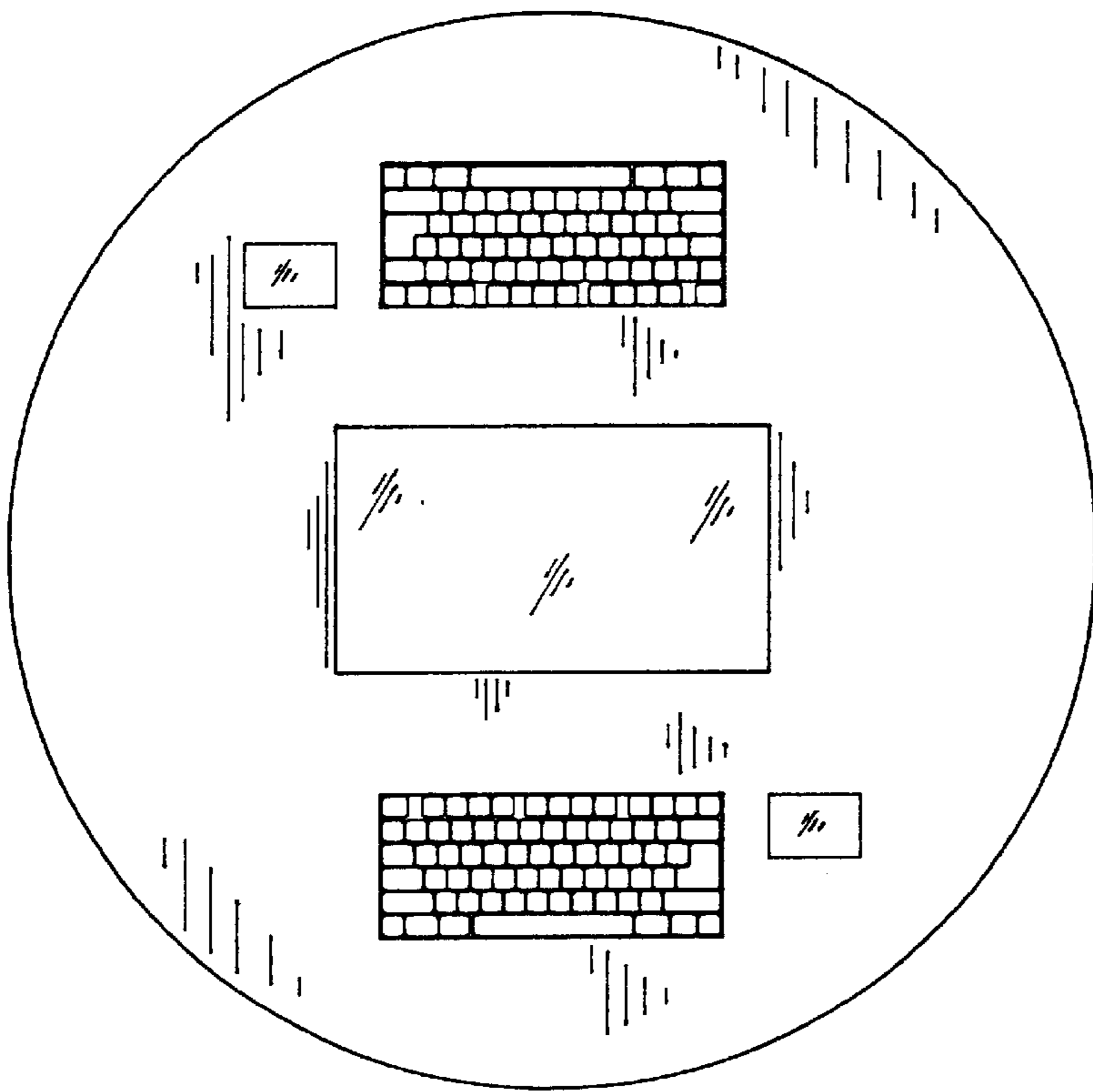


FIG. 3

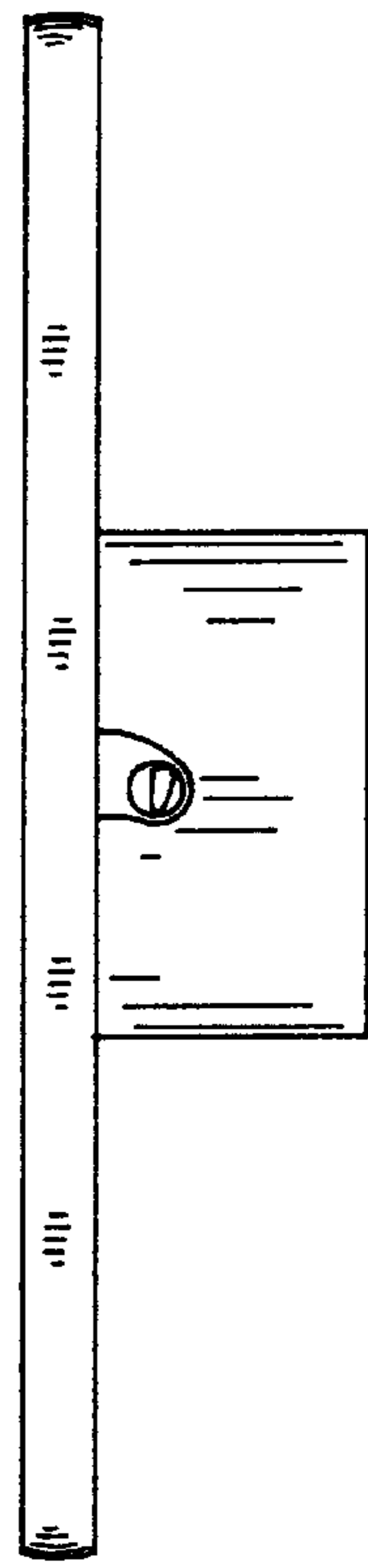


FIG. 4

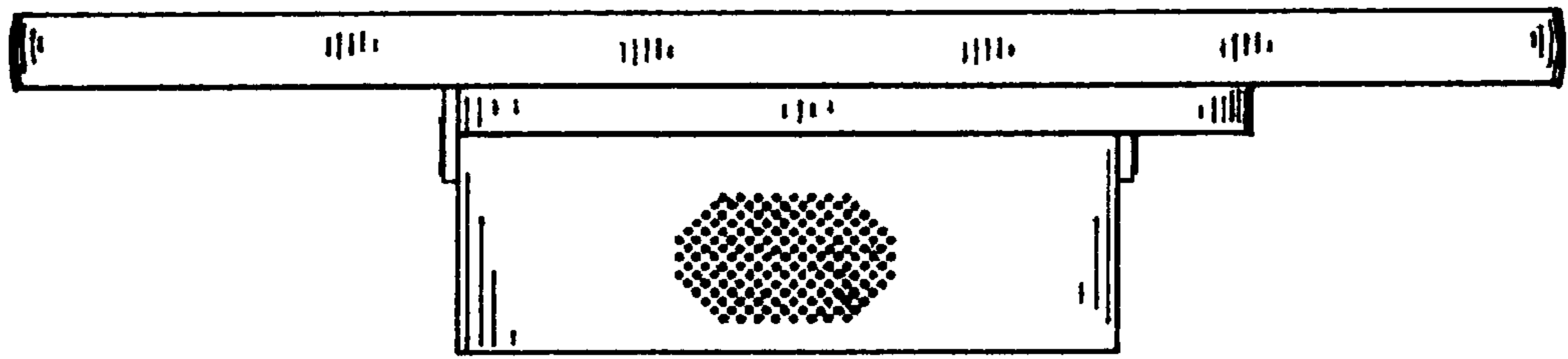


FIG. 5

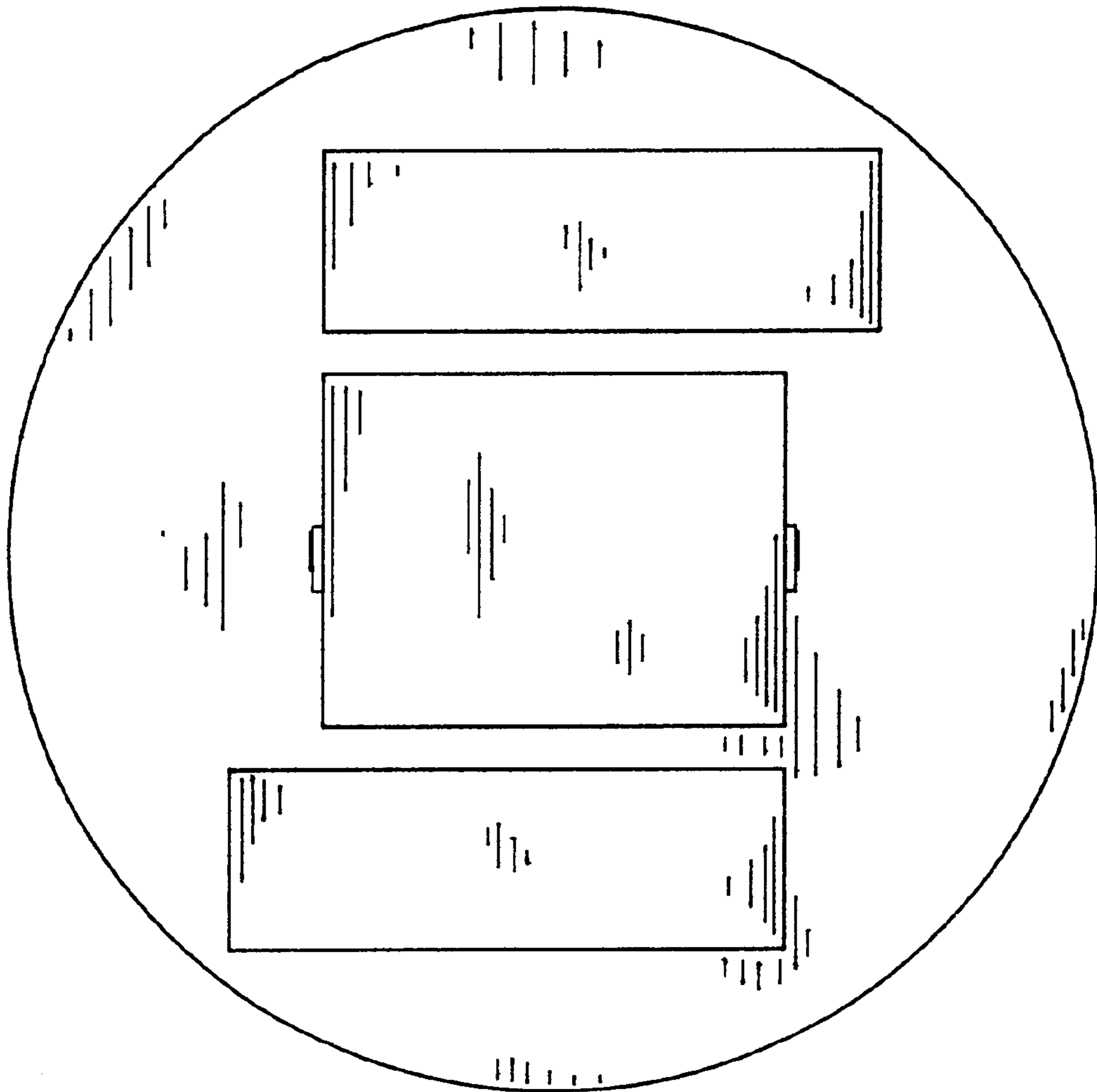


FIG. 6