



US00D462342S

(12) **United States Design Patent**  
**Polito et al.**

(10) **Patent No.:** **US D462,342 S**

(45) **Date of Patent:** **\*\* Sep. 3, 2002**

(54) **CORDLESS BASE FOR HEADSET**

(75) Inventors: **Fred Polito**, Santa Cruz; **Gerald W. Skulley**, Aptos, both of CA (US)

(73) Assignee: **Plantronics Inc.**, Santa Cruz, CA (US)

(\*\*) Term: **14 Years**

(21) Appl. No.: **29/138,835**

(22) Filed: **Mar. 19, 2001**

(51) **LOC (7) Cl.** ..... **14-01**

(52) **U.S. Cl.** ..... **D14/224**

(58) **Field of Search** ..... D14/221, 224,  
D14/217, 229, 251; 381/87-90, 74, 124,  
386, 374; 248/176.1, 177.1, 346.01-346.07

(56) **References Cited**

**U.S. PATENT DOCUMENTS**

D266,505 S	*	10/1982	Saldel	.....	D14/224
5,400,408 A	*	3/1995	Lundgren et al.	.....	381/336
D387,784 S	*	12/1997	Nakamura	.....	D14/224
D399,210 S	*	10/1998	Rozier et al.	.....	D14/224
D399,510 S	*	10/1998	Renk	.....	D14/224
D420,008 S	*	2/2000	Lohrding et al.	.....	D14/224

\* cited by examiner

*Primary Examiner*—Prabhakar Deshmukh

(74) *Attorney, Agent, or Firm*—Fenwick & West LLP

(57) **CLAIM**

The ornamental design for a cordless base for headset, as shown and described.

**DESCRIPTION**

FIG. 1 is a front, top, left perspective view of a cordless base for a headset showing our new design.

FIG. 2 is a rear elevational view of the cordless base for a headset.

FIG. 3 is a front elevational view of the cordless base for a headset.

FIG. 4 is a right elevational view of the cordless base for a headset.

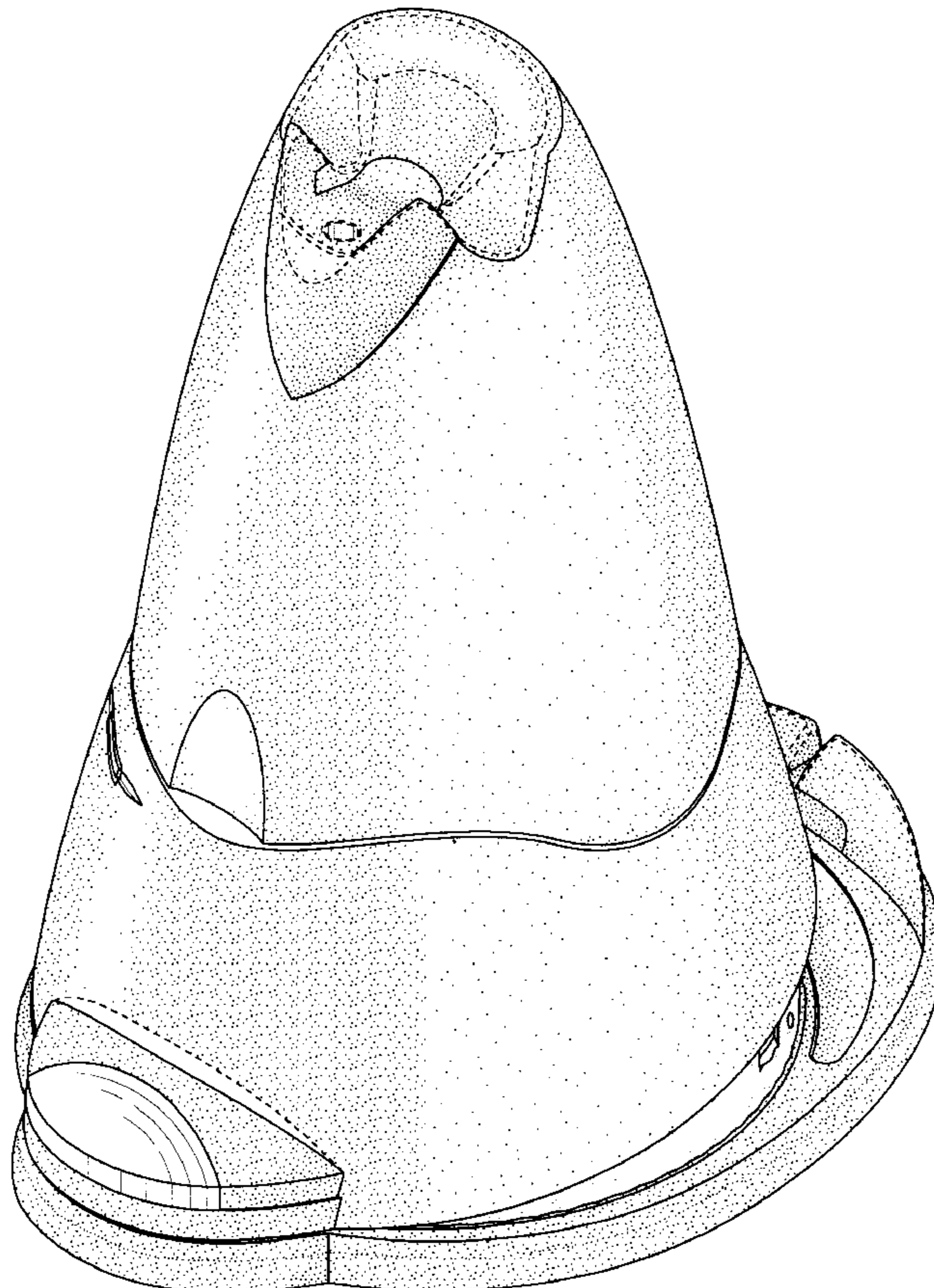
FIG. 5 is a left elevational view of the cordless base for a headset

FIG. 6 is a top plan view of the cordless base for a headset; and,

FIG. 7 is a bottom plan view of the cordless base for a headset.

The broken lines are for illustrative purpose only and forms no part of the claimed design.

**1 Claim, 6 Drawing Sheets**



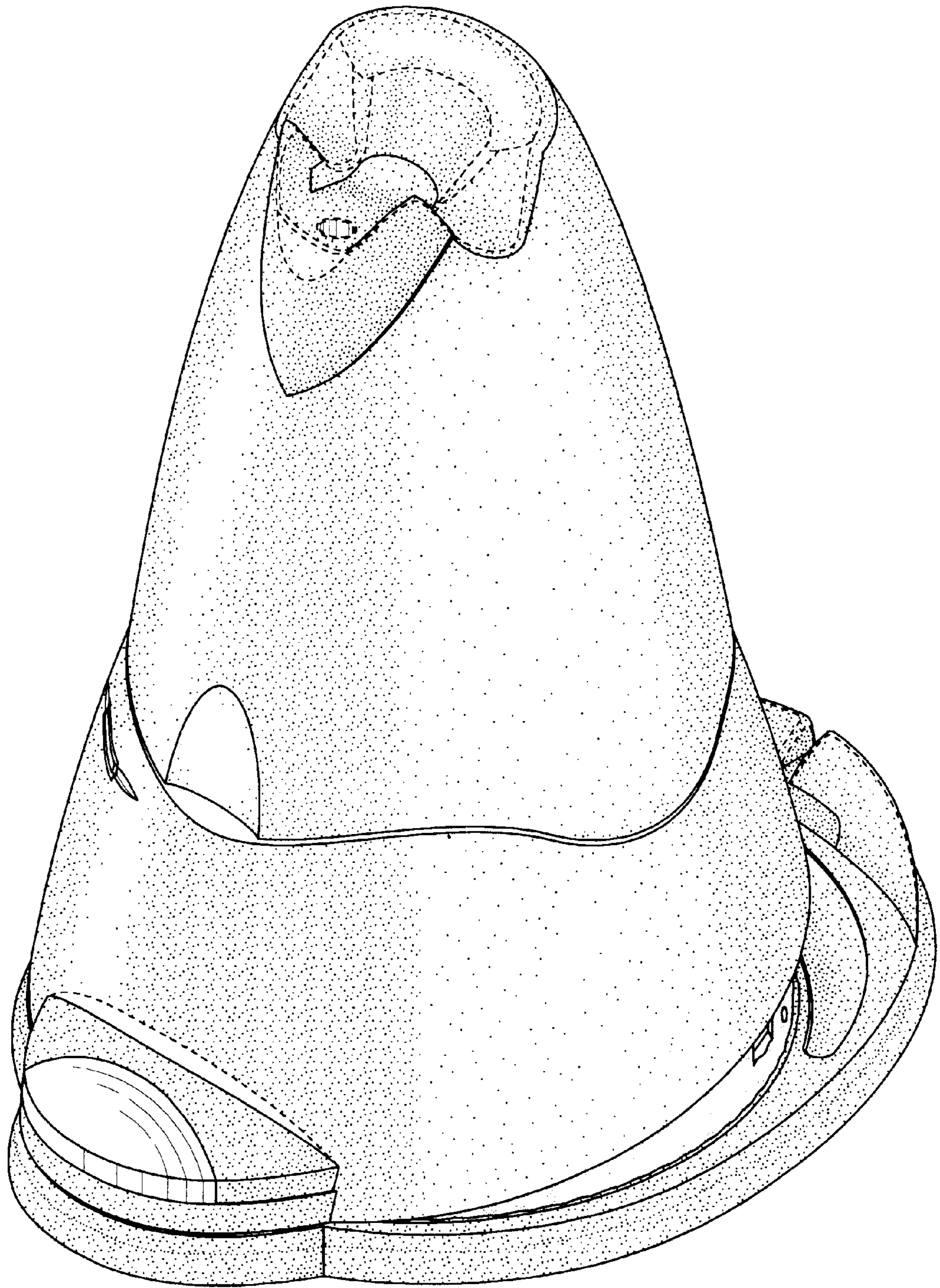


FIG. 1



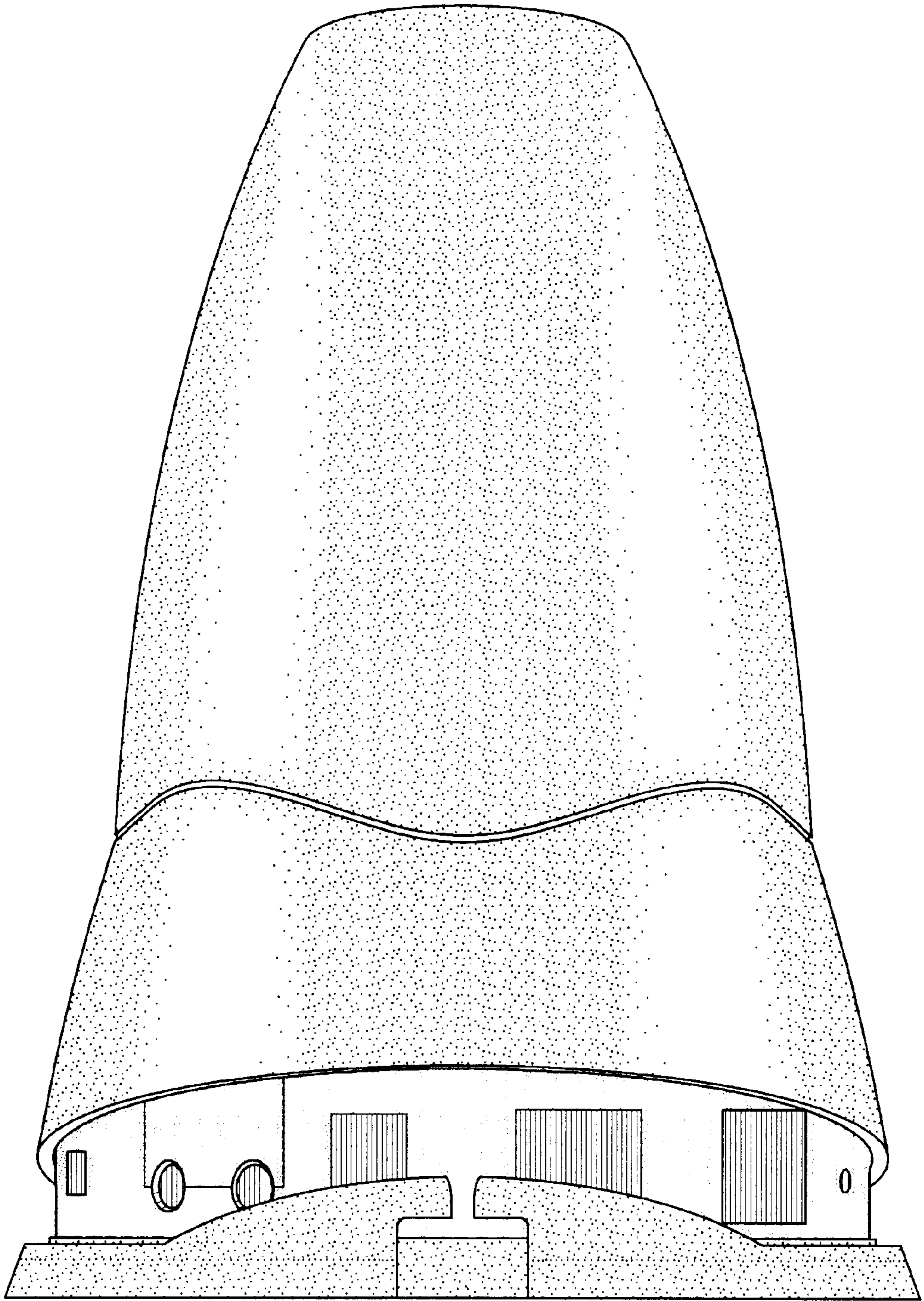


FIG. 2

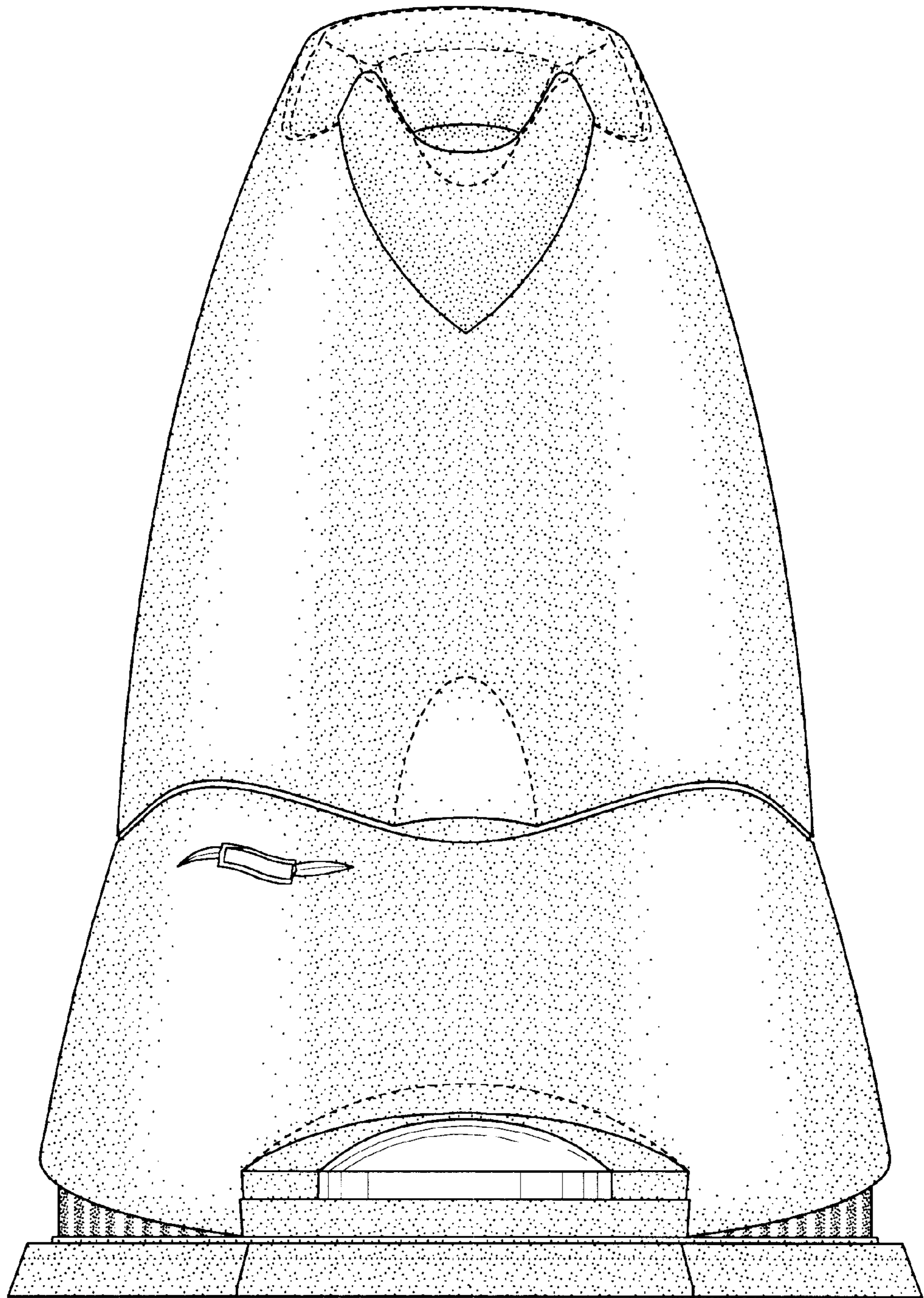


FIG. 3

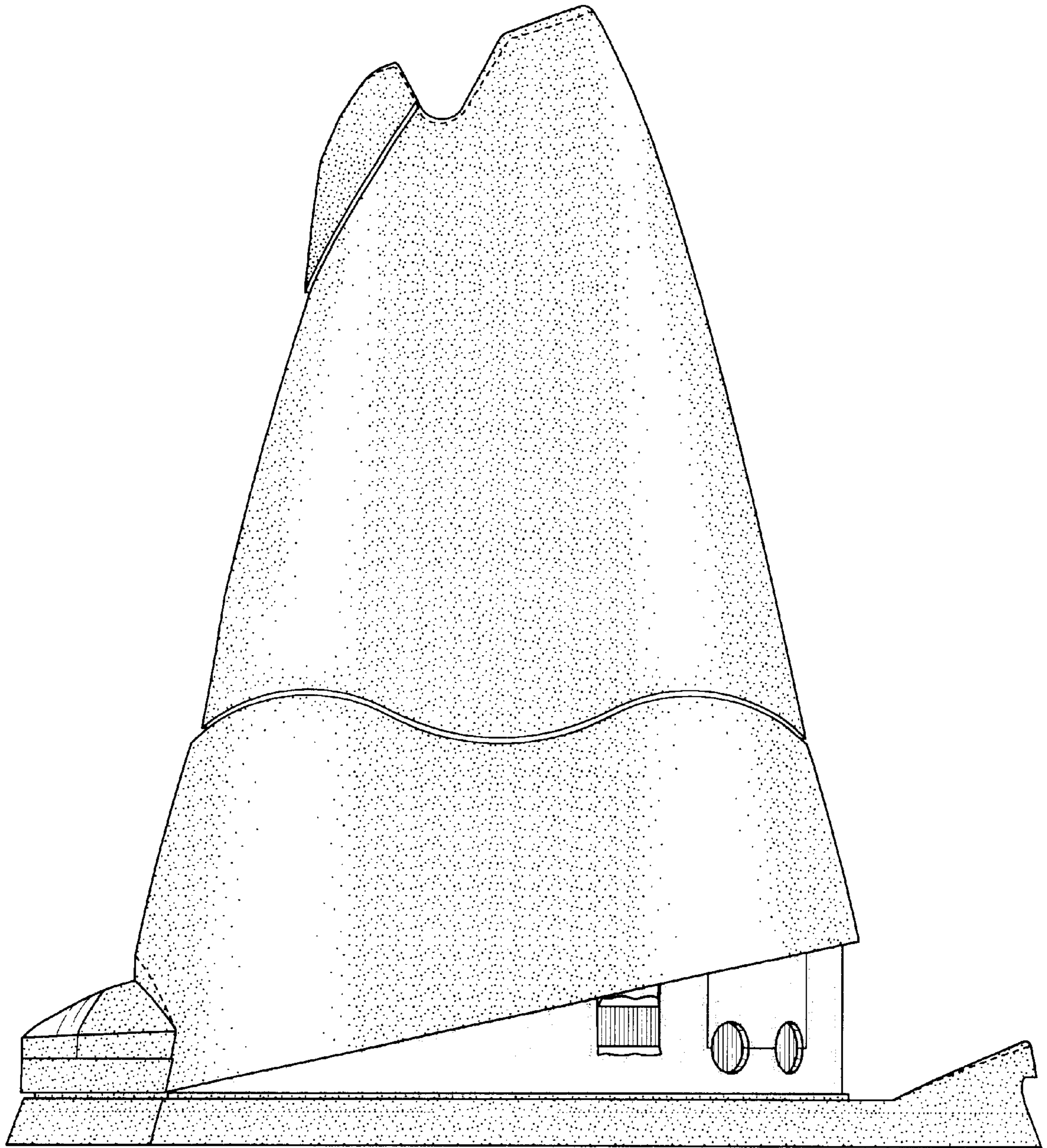


FIG. 4



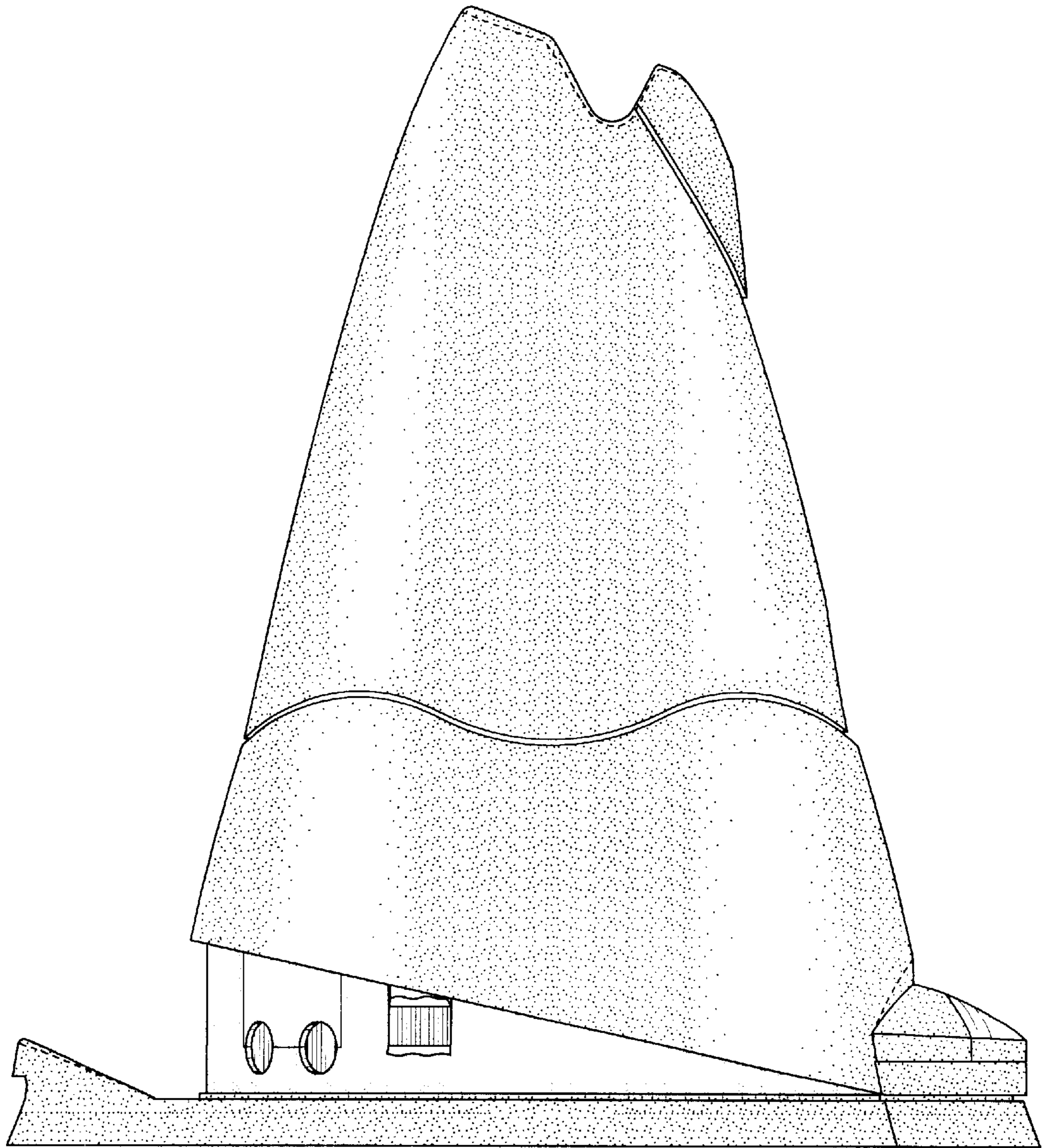


FIG. 5

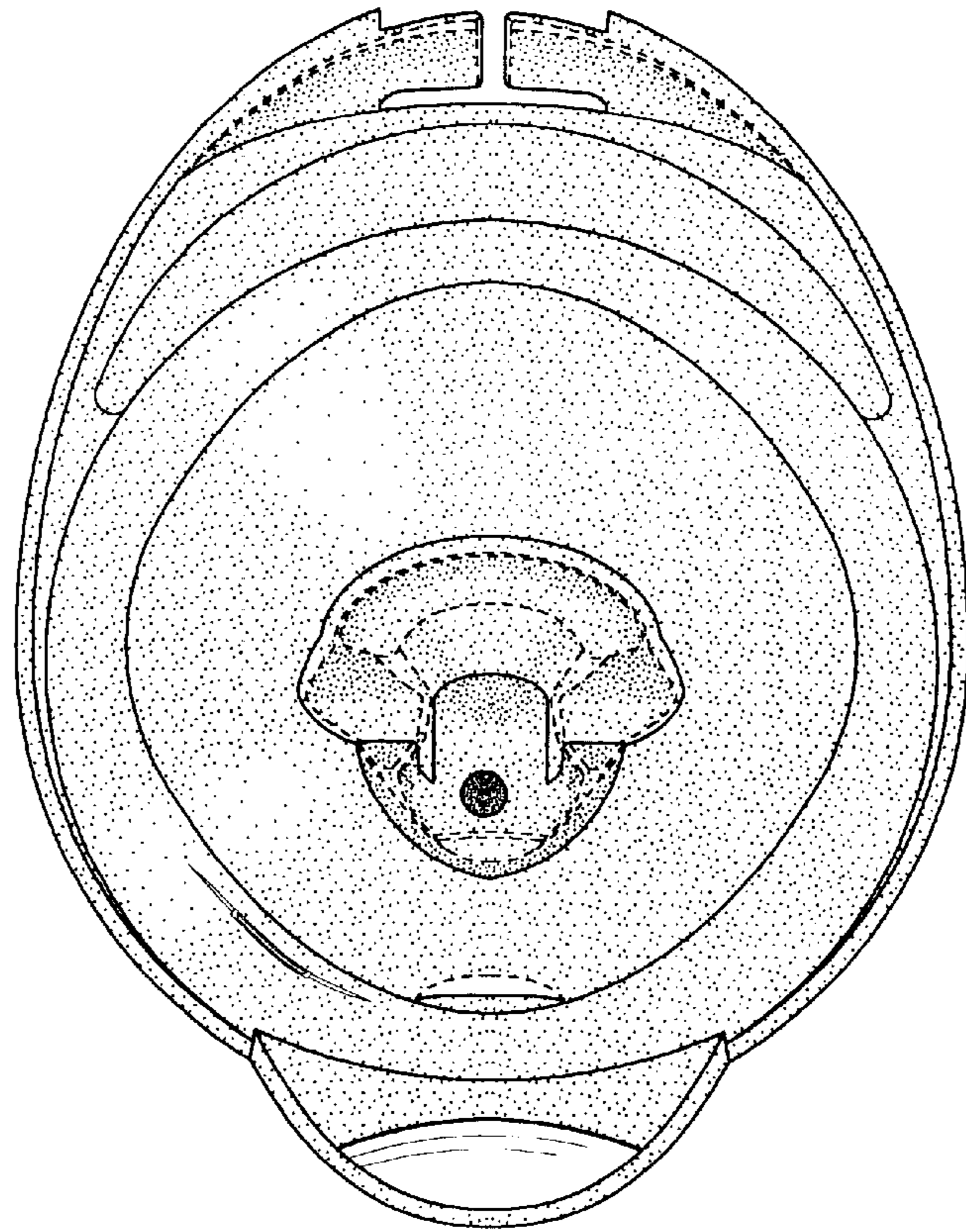


FIG. 6

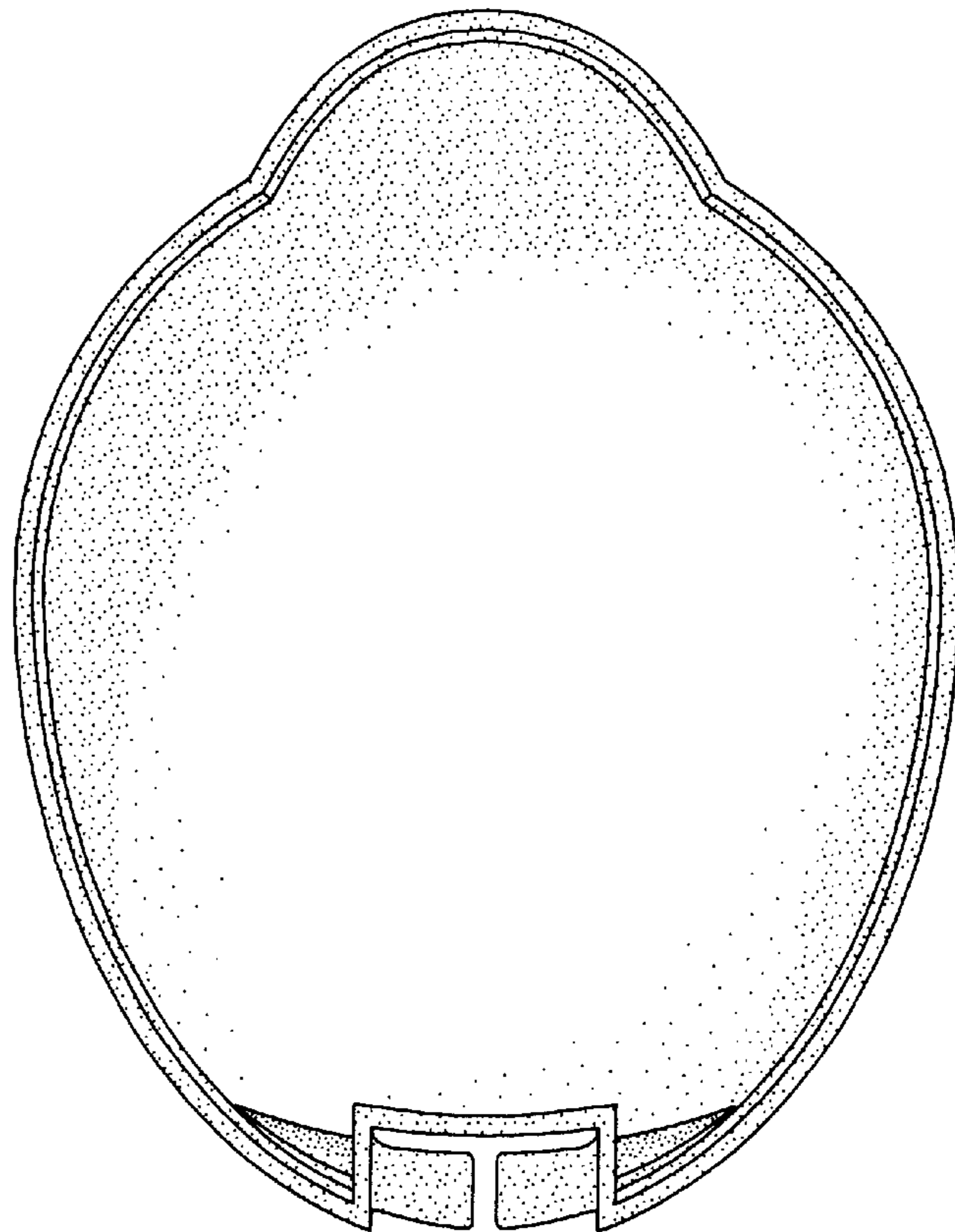


FIG. 7