



US00D462341S

(12) **United States Design Patent**
Stead et al.

(10) **Patent No.:** **US D462,341 S**

(45) **Date of Patent:** **** Sep. 3, 2002**

(54) **SURROUND HAVING A SINUSOIDAL FACE**

D393,641 S * 4/1998 Hai-Fu D14/221
D400,884 S * 11/1998 Christie, II D14/216

(75) Inventors: **Brendon Stead**, Thousand Oaks;
Clayton C. Williamson, Moorpark,
both of CA (US)

* cited by examiner

Primary Examiner—Nanda Bondade

(74) *Attorney, Agent, or Firm*—Banner & Witcoff, Ltd.

(73) Assignee: **Harman International Industries, Inc.**, Northridge, CA (US)

(57) **CLAIM**

(**) Term: **14 Years**

The ornamental design for a surround having a sinusoidal face, as shown and described.

(21) Appl. No.: **29/139,289**

DESCRIPTION

(22) Filed: **Mar. 27, 2001**

FIG. 1 is a perspective view of a surround having a sinusoidal face within a speaker housing showing my new design;

(51) **LOC (7) Cl.** **14-01**

(52) **U.S. Cl.** **D14/221**

FIG. 2 is a rear elevational view thereof;

(58) **Field of Search** D14/204, 207–216,

FIG. 3 is a front elevational view thereof;

D14/221–222; 181/144–145, 147–148,

FIG. 4 is a left view thereof, and a right view being a mirror image thereof; and,

150, 152–153, 157, 198–199; 381/300–302,

FIG. 5 is a side view turned about 90° clockwise from FIG. 4 thereof, and an opposite view being a mirror image thereof.

307, 359, 361–364, 386

(56) **References Cited**

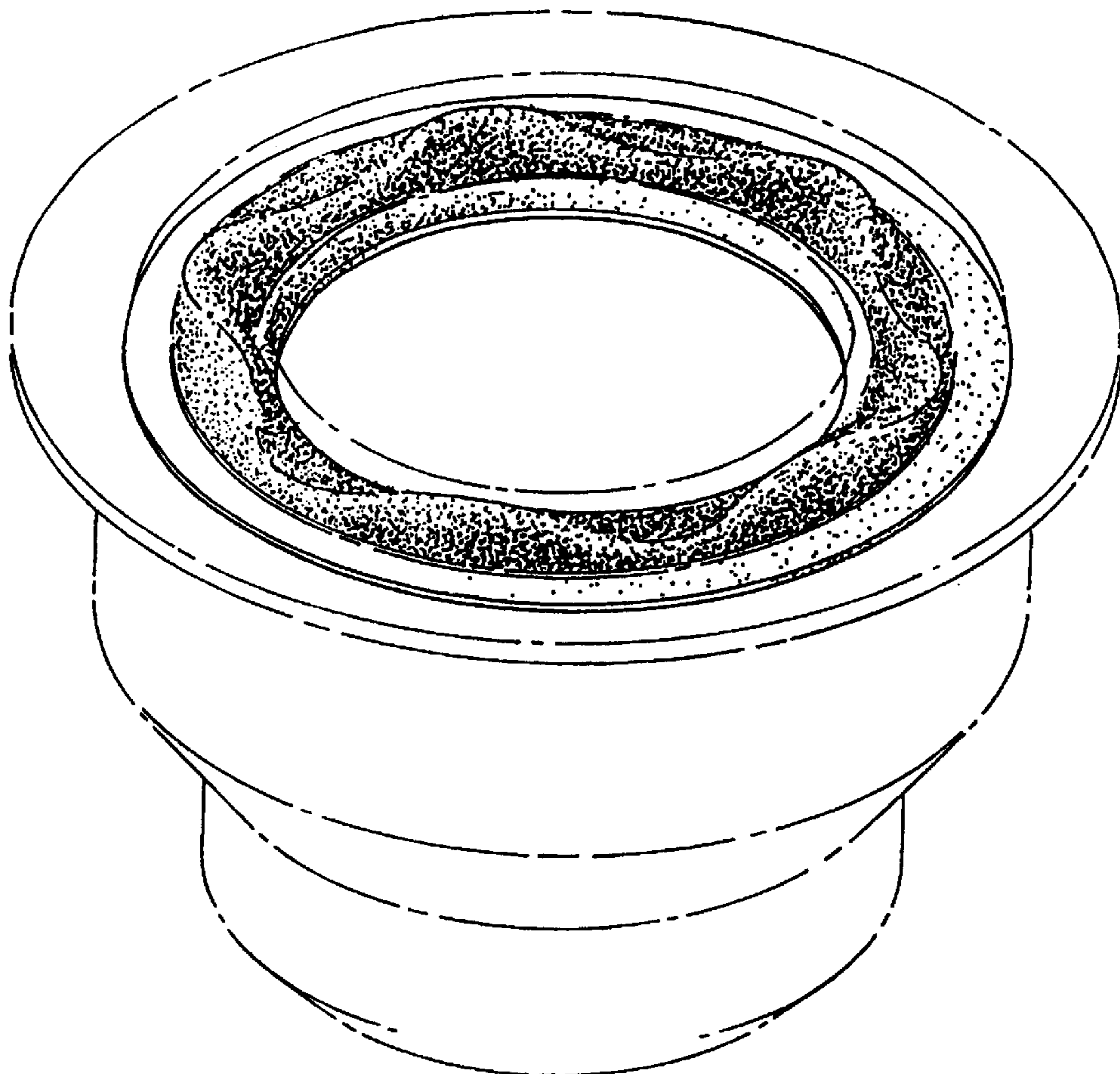
The dotted lines in FIG. 1 are for environmental purposes and form no part of the claimed design.

U.S. PATENT DOCUMENTS

D266,420 S * 10/1982 Warner D14/222

D349,499 S * 8/1994 Collins D14/216

1 Claim, 2 Drawing Sheets



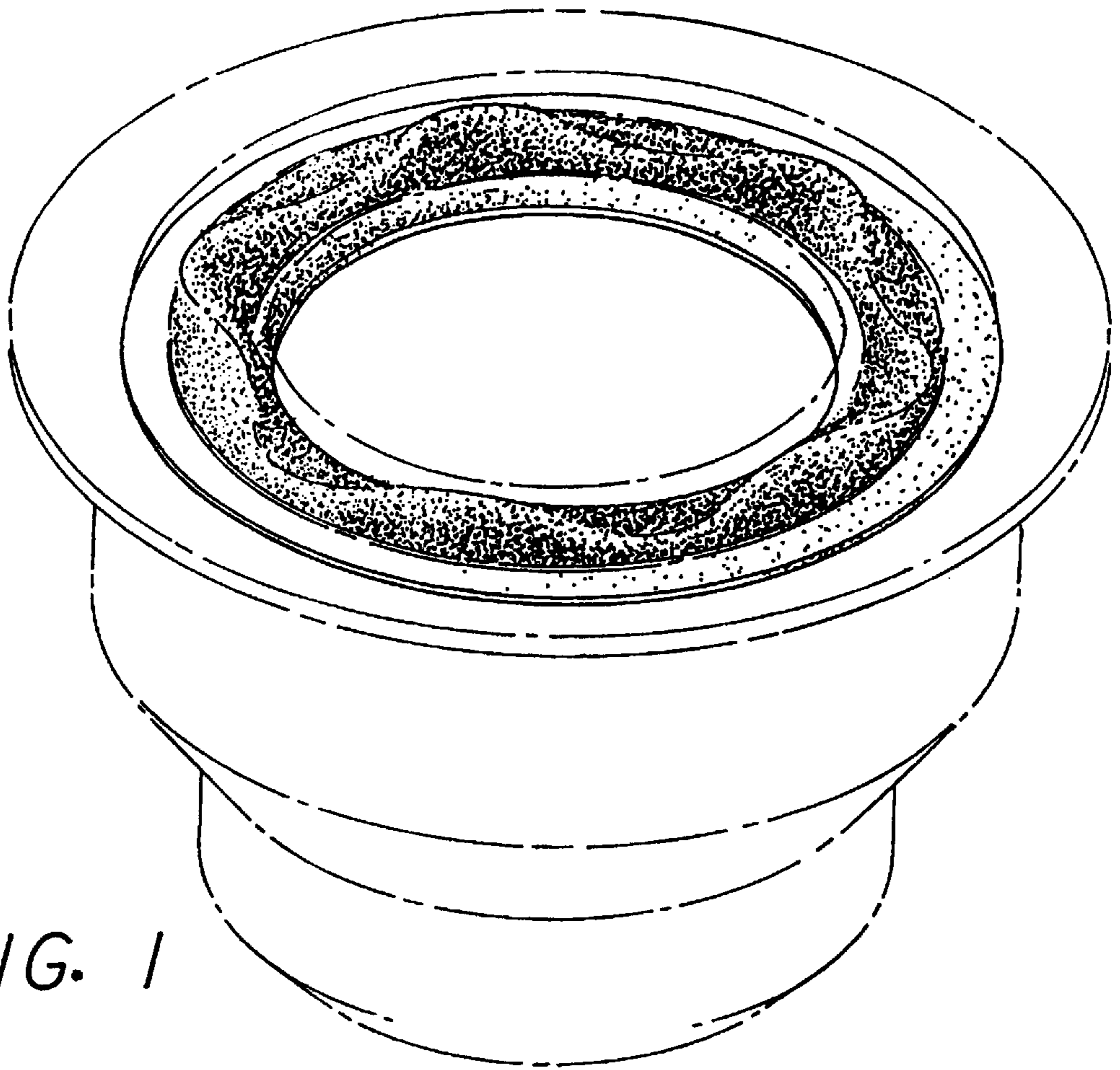


FIG. 1

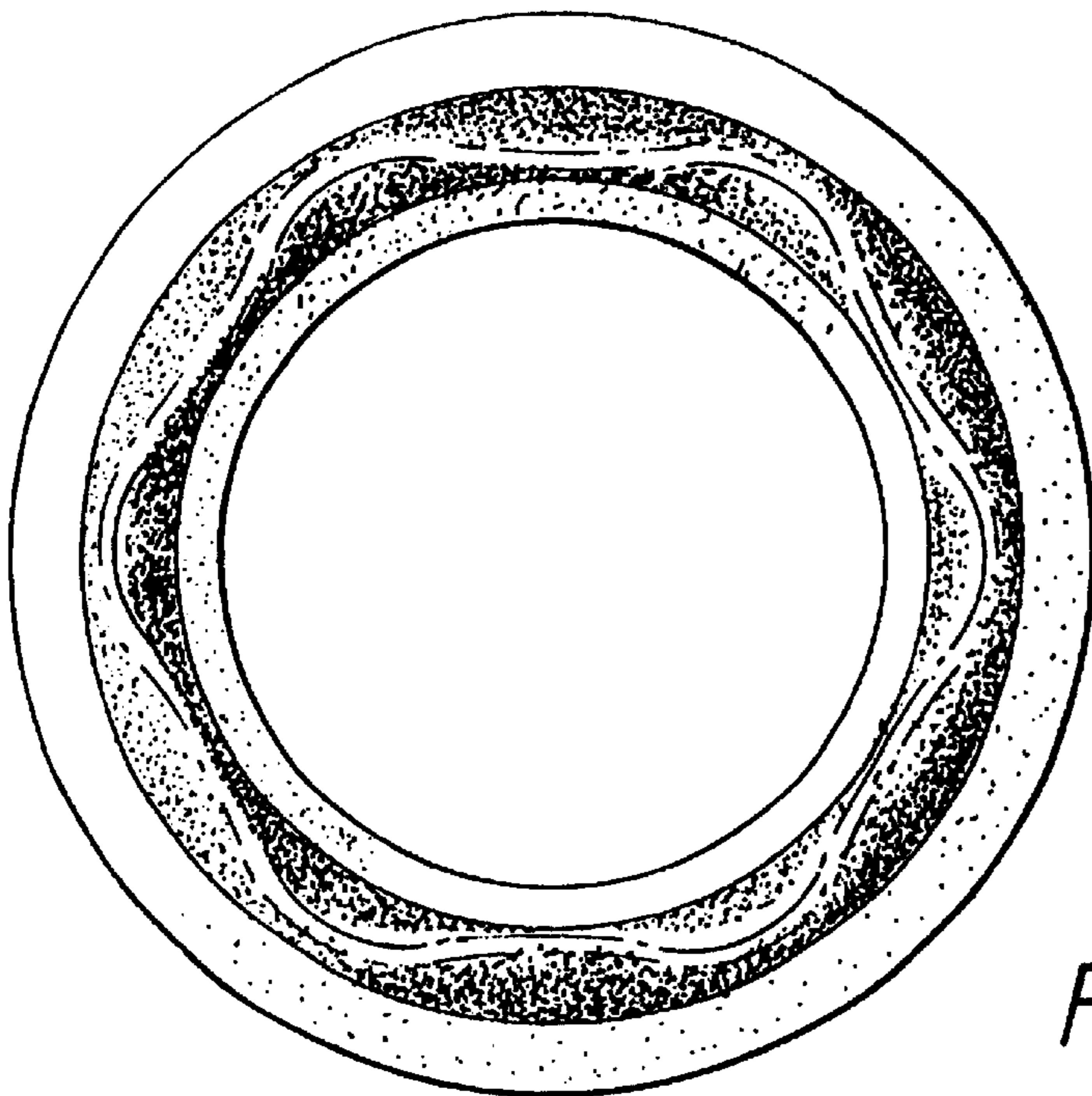


FIG. 2

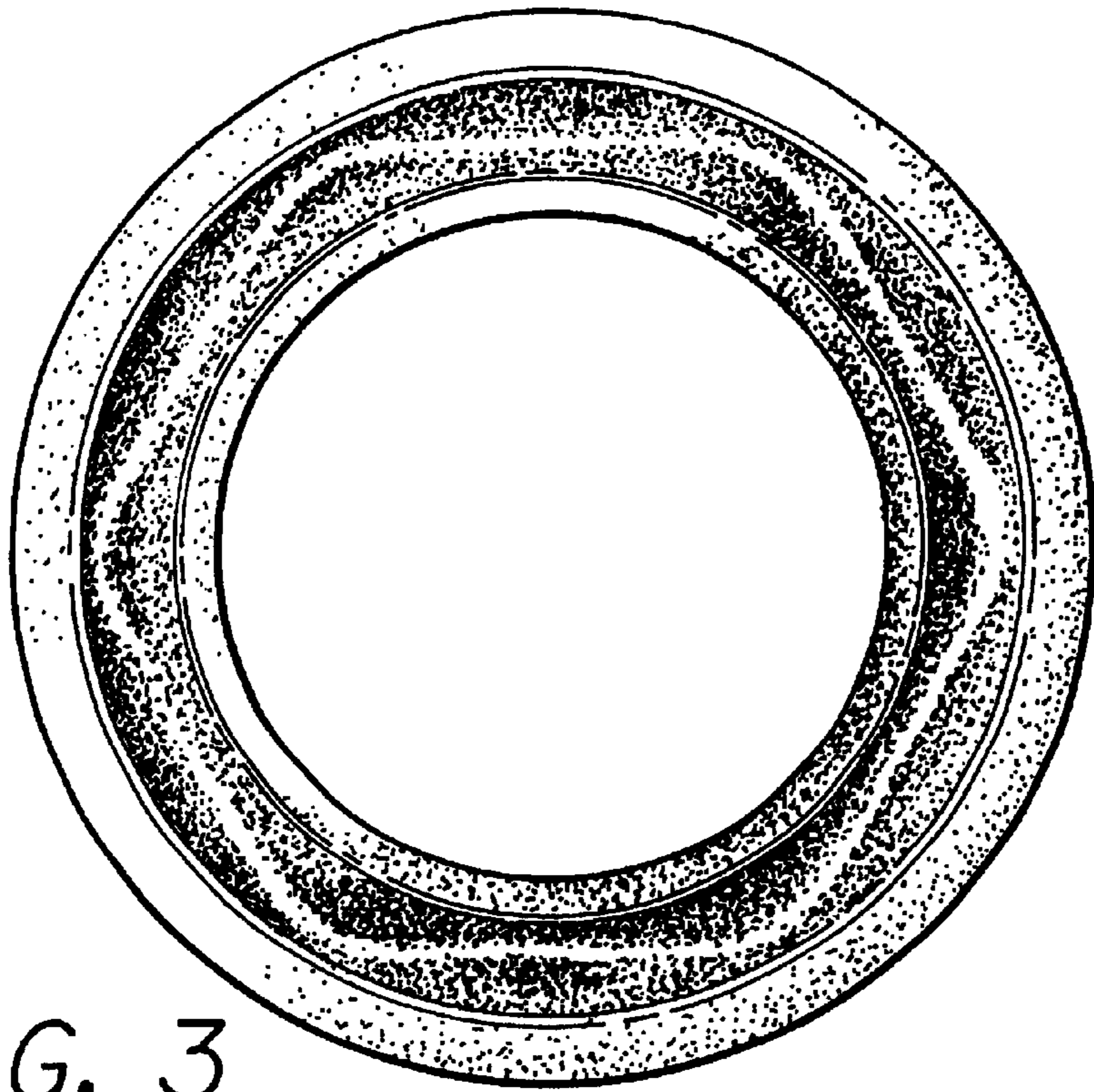


FIG. 3



FIG. 4



FIG. 5