



US00D462338S

(12) **United States Design Patent**
Wong

(10) **Patent No.:** **US D462,338 S**

(45) **Date of Patent:** **** Sep. 3, 2002**

(54) **SUBWOOFER**

(75) **Inventor:** **Chong Bing Wong**, Eindhoven (NL)

(73) **Assignee:** **Koninklijke Philips Electronics, N.V.**,
Eindhoven (NL)

(**) **Term:** **14 Years**

(21) **Appl. No.:** **29/144,804**

(22) **Filed:** **Jul. 10, 2001**

(30) **Foreign Application Priority Data**

May 3, 2001 (XH) DMA/005 290

(51) **LOC (7) Cl.** **14-01**

(52) **U.S. Cl.** **D14/215**

(58) **Field of Search** D14/204, 207-216,
D14/221-222; 181/144-145, 147-148,
150-153, 157, 198-199; 381/300-302,
307, 359, 361-364, 386

(56) **References Cited**

U.S. PATENT DOCUMENTS

D391,260 S * 2/1998 Makinen et al. D14/214

6,026,927 A * 2/2000 Burdett et al. 181/199
D422,593 S * 4/2000 Ito et al. D14/214
D434,751 S * 12/2000 Sogabe et al. D14/215
D439,239 S * 3/2001 Ito et al. D14/215

* cited by examiner

Primary Examiner—Nanda Bondade
(74) *Attorney, Agent, or Firm*—Ernestine C. Bartlett

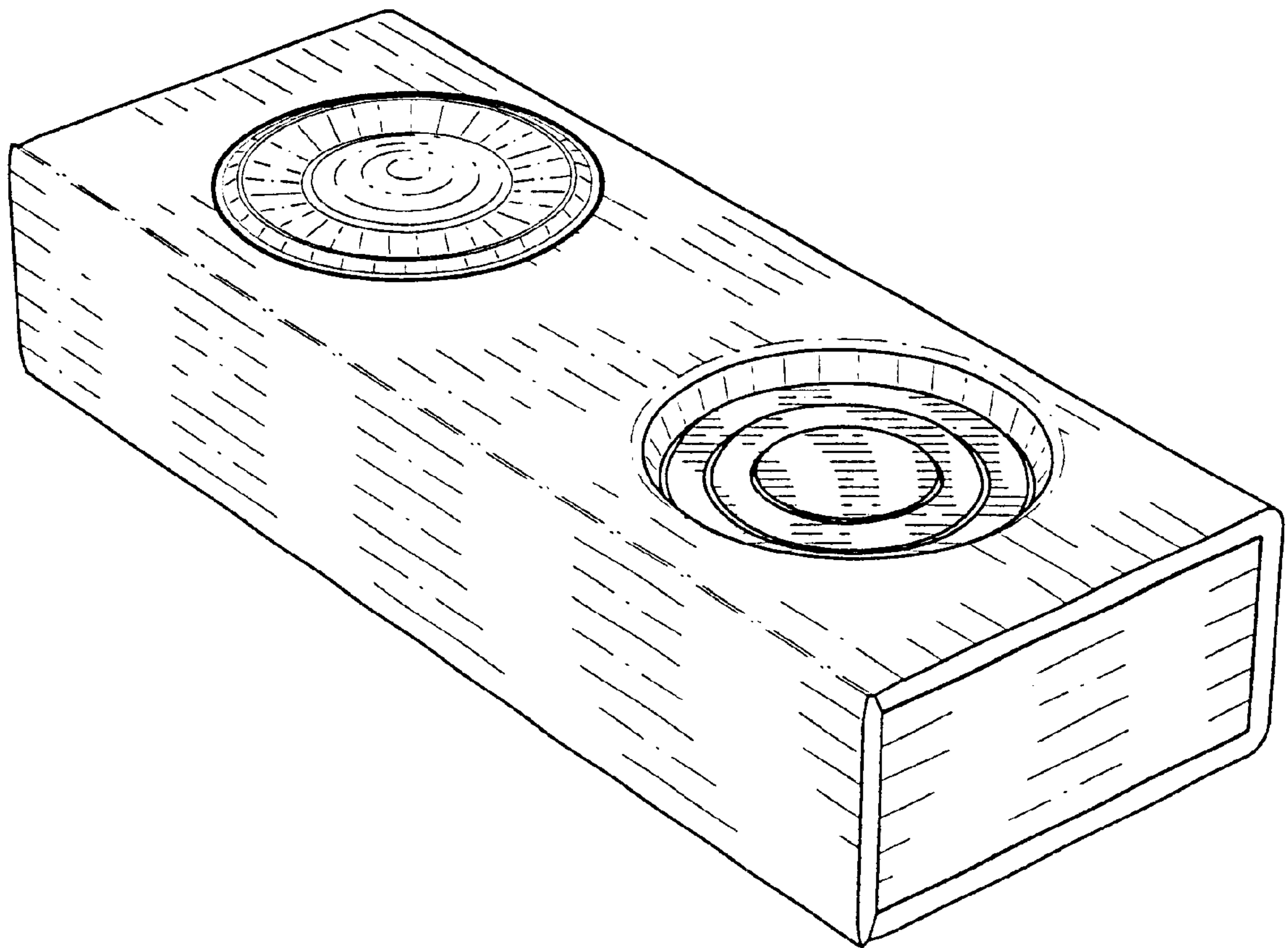
(57) **CLAIM**

The ornamental design for a subwoofer, as shown.

DESCRIPTION

FIG. 1 is a perspective view showing my design;
FIG. 2 is a front elevational view thereof;
FIG. 3 is a rear elevational view thereof;
FIG. 4 is a right side elevational view thereof;
FIG. 5 is a left side elevational view thereof;
FIG. 6 is a top plan view thereof; and,
FIG. 7 is a bottom plan view thereof.

1 Claim, 3 Drawing Sheets



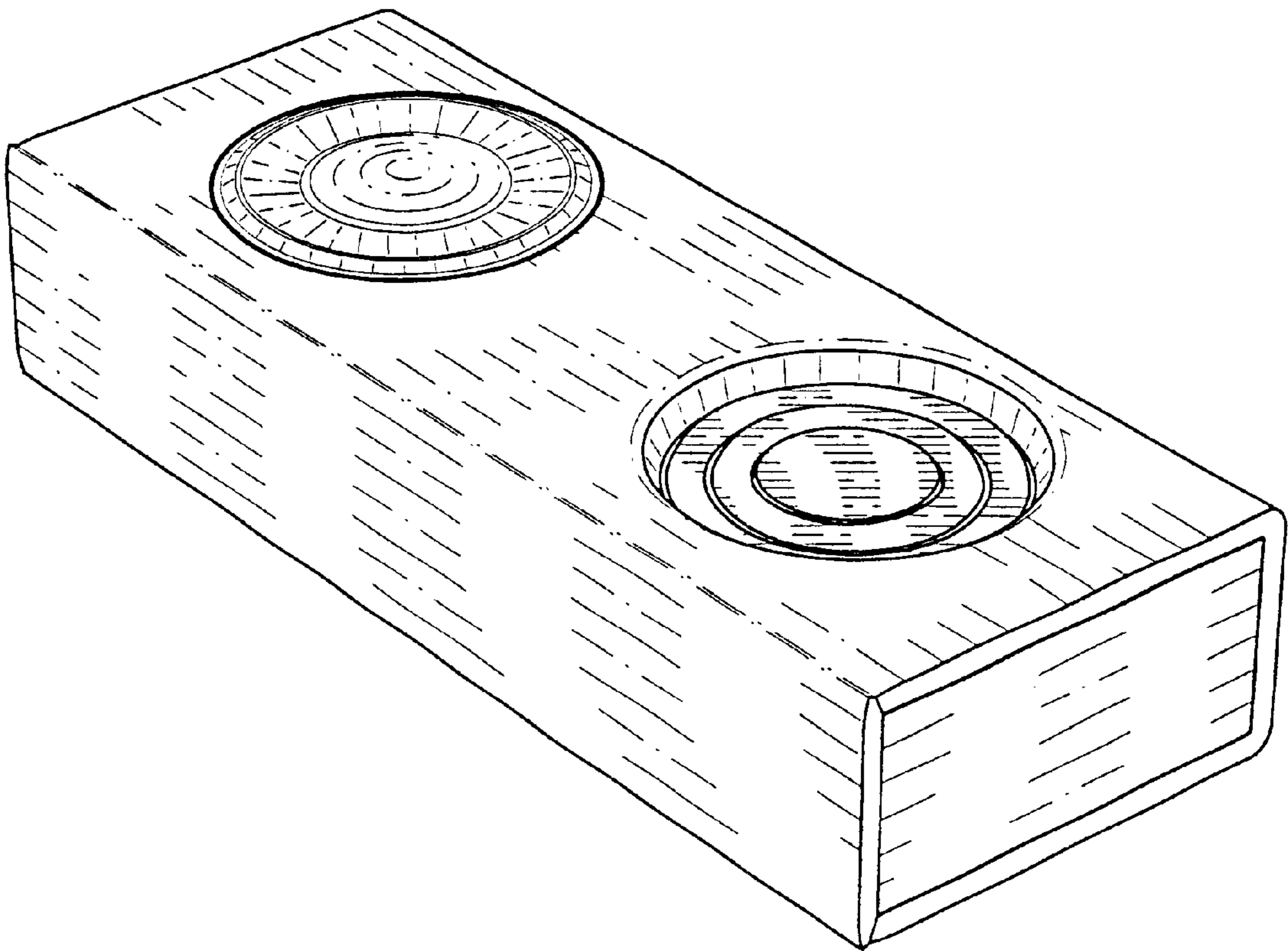


FIG. 1

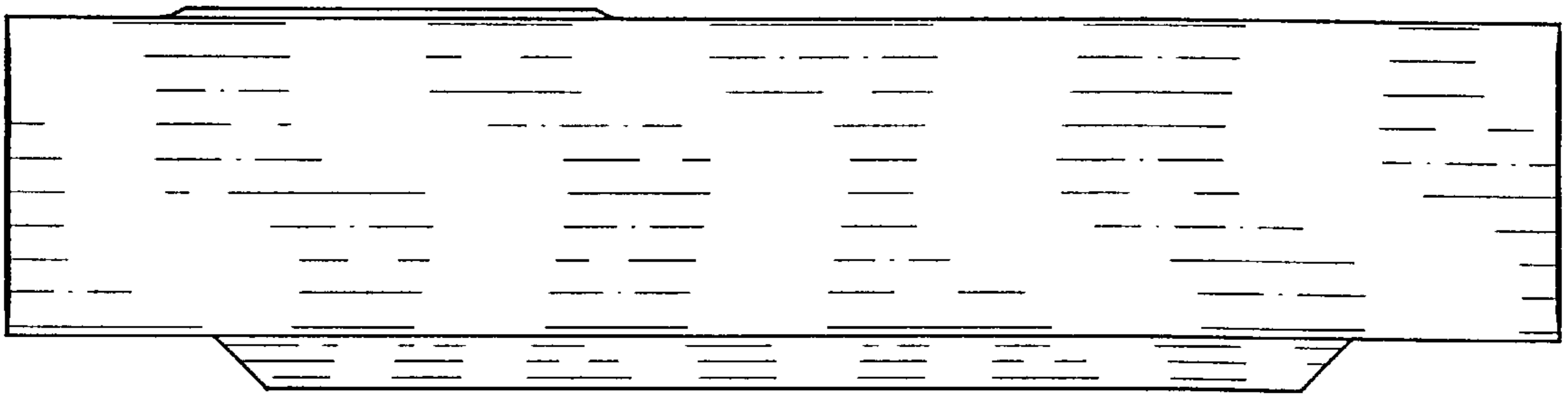


FIG. 2

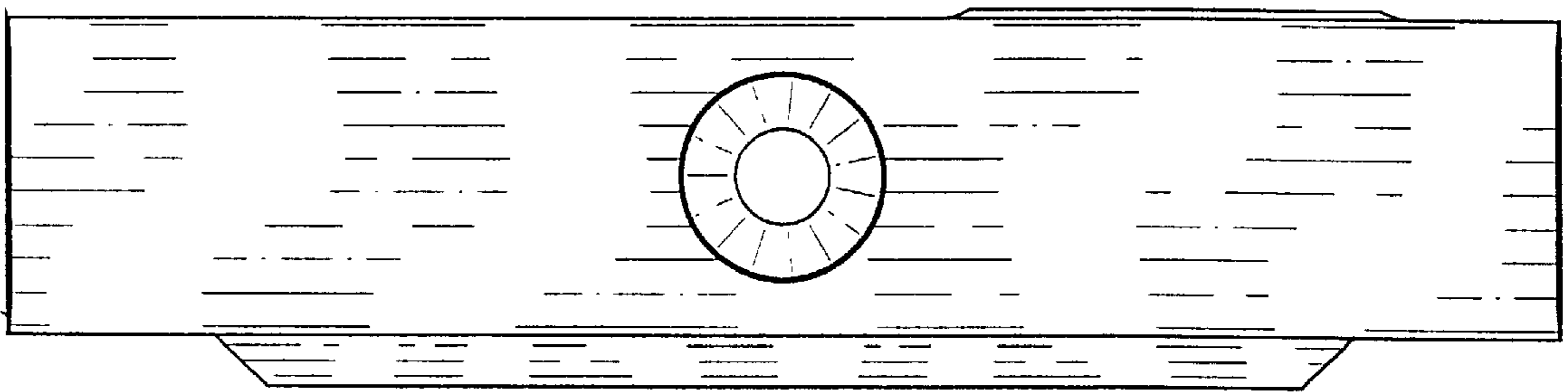


FIG. 3

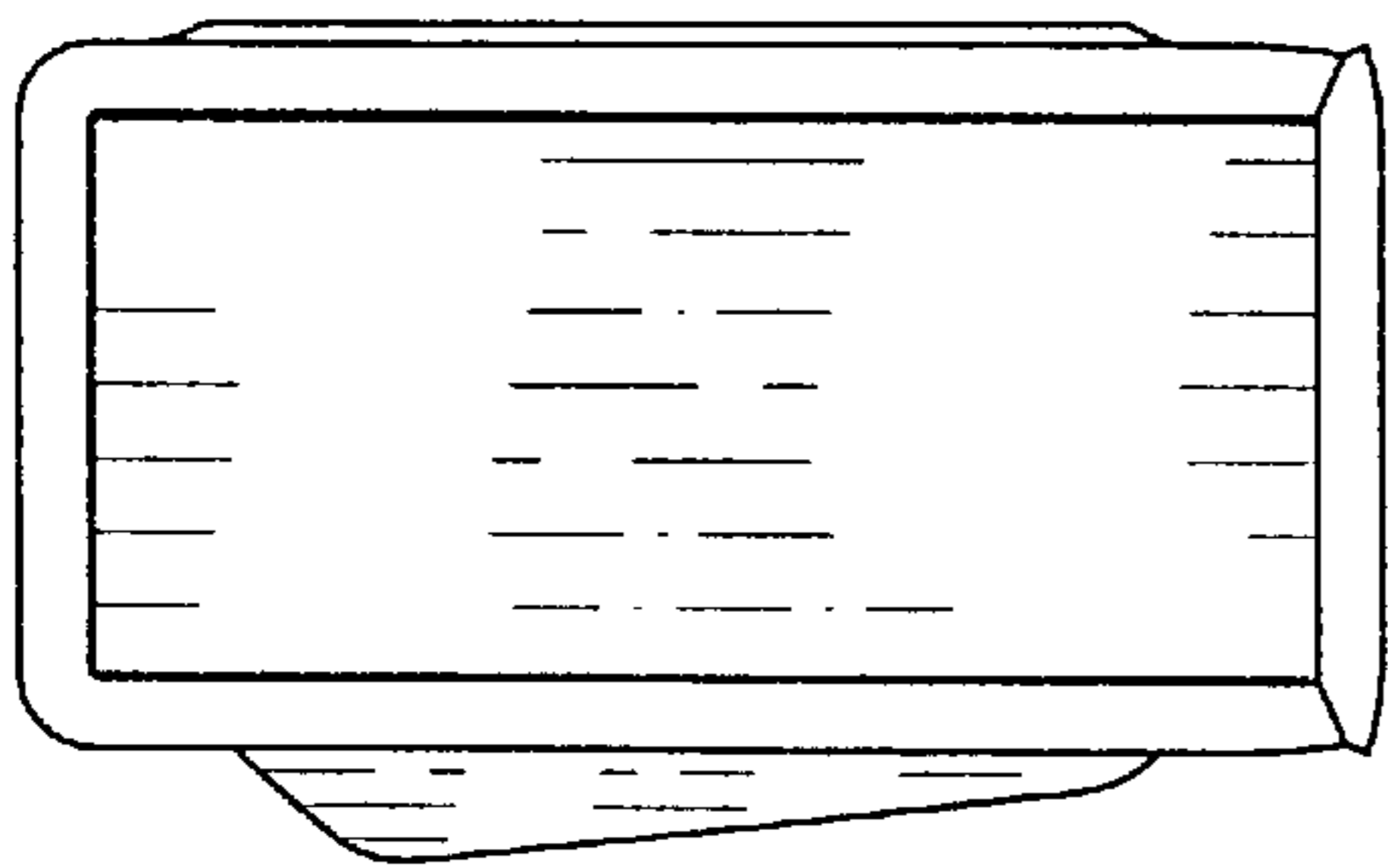


FIG. 4

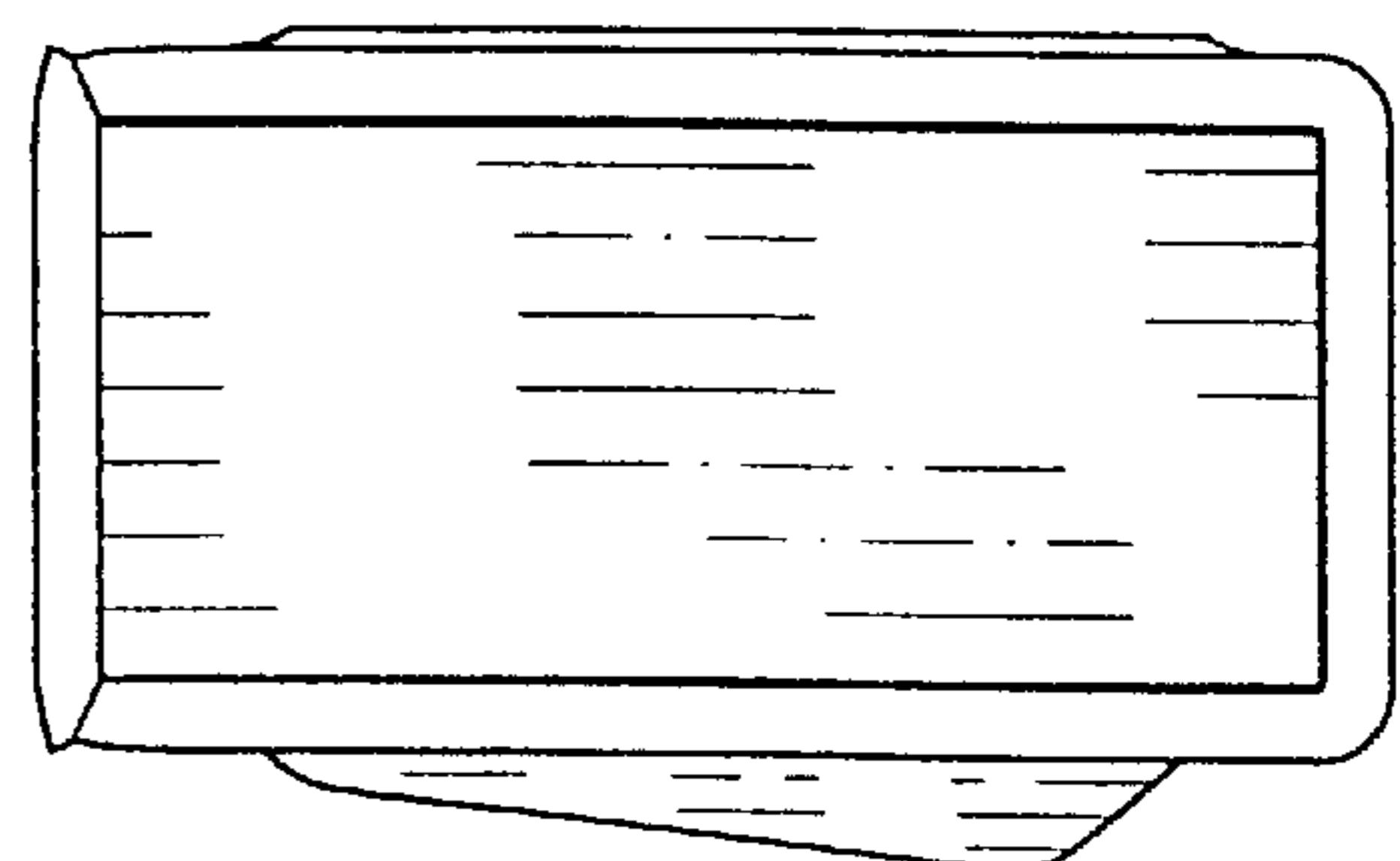


FIG. 5

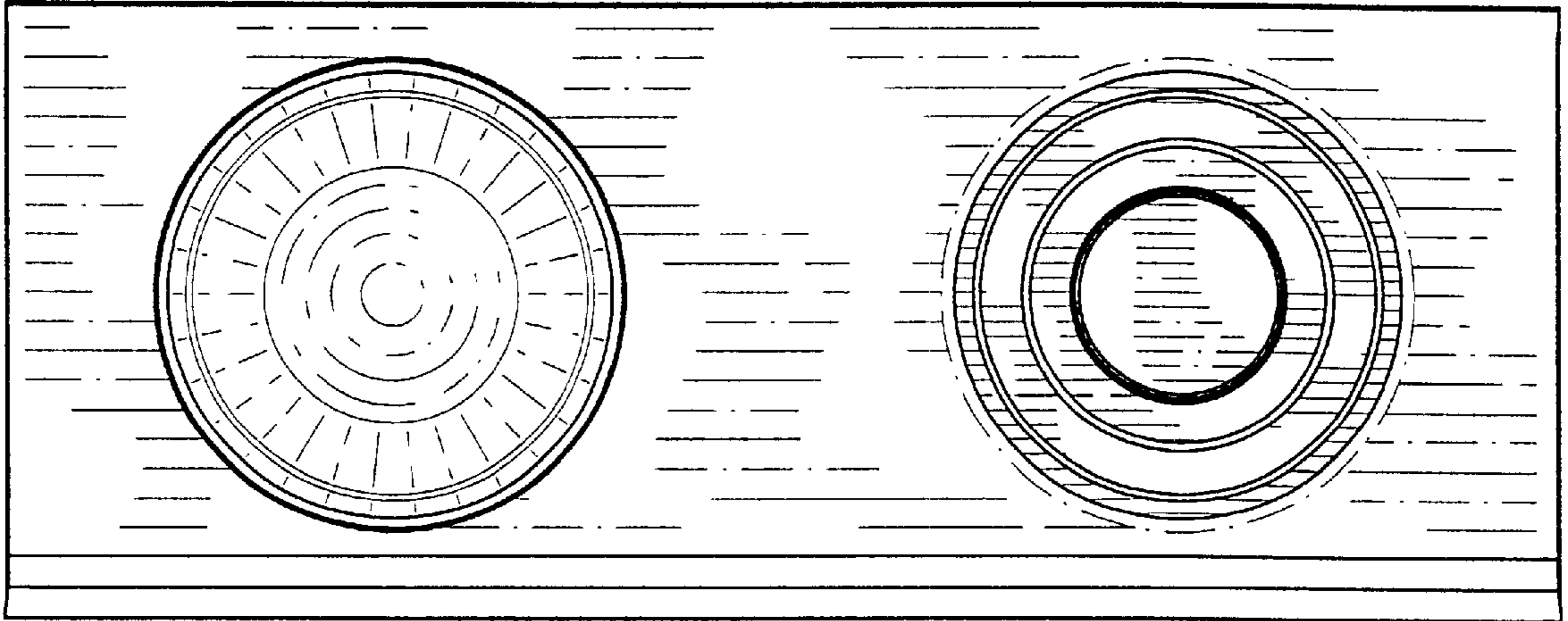


FIG. 6

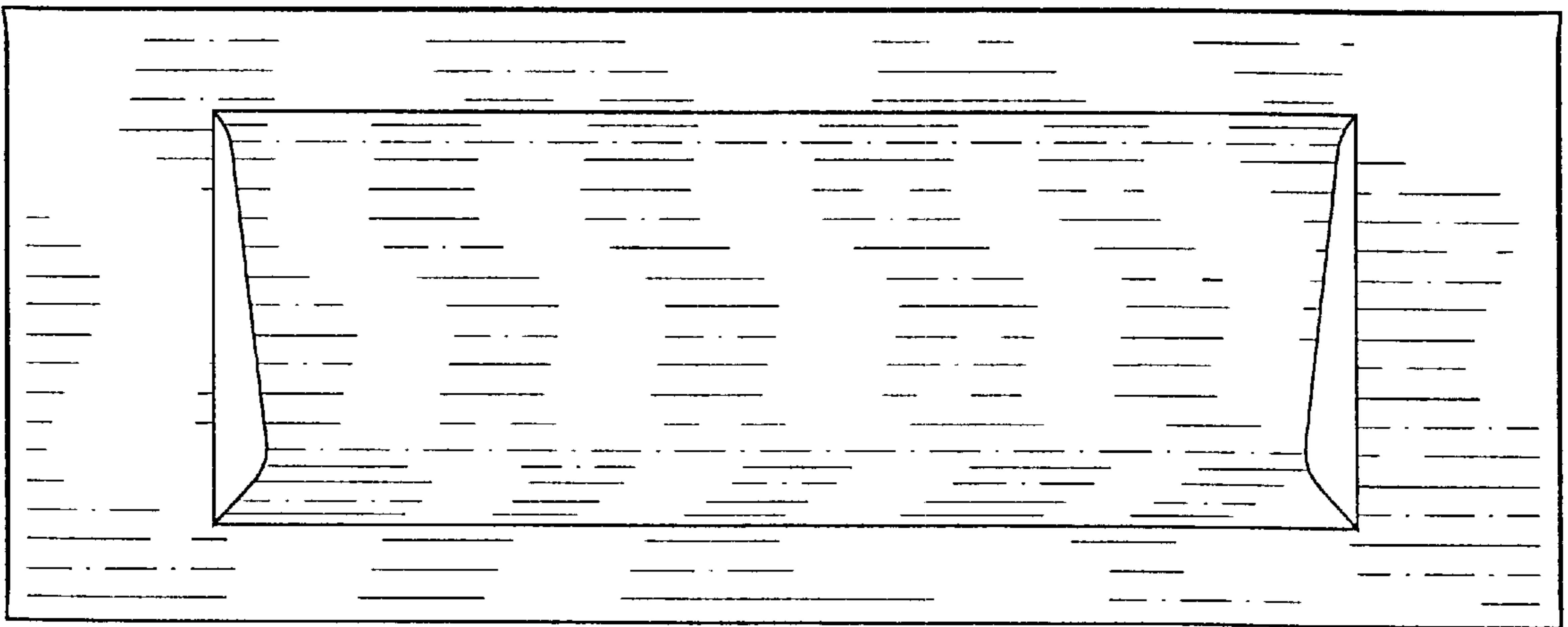


FIG. 7