



US00D462334S

(12) **United States Design Patent**
Fukasawa et al.

(10) **Patent No.:** **US D462,334 S**

(45) **Date of Patent:** **** Sep. 3, 2002**

(54) **LIGHT EMITTING DIODE**

(75) Inventors: **Koichi Fukasawa; Hirohiko Ishii**, both of Yamanashi (JP)

(73) Assignee: **Citizen Electronics Co., Ltd.**, Yamanashi (JP)

(**) Term: **14 Years**

(21) Appl. No.: **29/138,711**

(22) Filed: **Mar. 20, 2001**

(30) **Foreign Application Priority Data**

Sep. 25, 2000 (JP) 2000-026753

(51) **LOC (7) Cl.** **13-03**

(52) **U.S. Cl.** **D13/182**

(58) **Field of Search** D13/182; D10/104, D10/106; D14/432, 435; D15/144; D24/187; D26/37; 257/77, 79, 80, 81, 82, 85; 315/101, 512

(56) **References Cited**

U.S. PATENT DOCUMENTS

D278,048 S	*	3/1985	Takahashi	D13/182
D278,049 S	*	3/1985	Takahashi et al.	D13/182
D280,766 S	*	9/1985	Fujita et al.	D26/2
D280,812 S	*	10/1985	Takahashi	D13/182
5,828,085 A	*	10/1998	Kashima et al.	257/80

5,844,257 A	*	12/1998	Chen	257/91
5,912,477 A	*	6/1999	Negley	257/95
D428,820 S	*	8/2000	Zabawski et al.	D10/106
6,121,656 A	*	9/2000	Tanaka et al.	257/323
D437,798 S	*	2/2001	Kiba et al.	D10/104
D439,351 S	*	3/2001	Kiba et al.	D26/37
D443,542 S	*	6/2001	Dohrmann	D10/106

* cited by examiner

Primary Examiner—James Gandy

Assistant Examiner—Selina Sikder

(74) *Attorney, Agent, or Firm*—Keil & Weinkauff

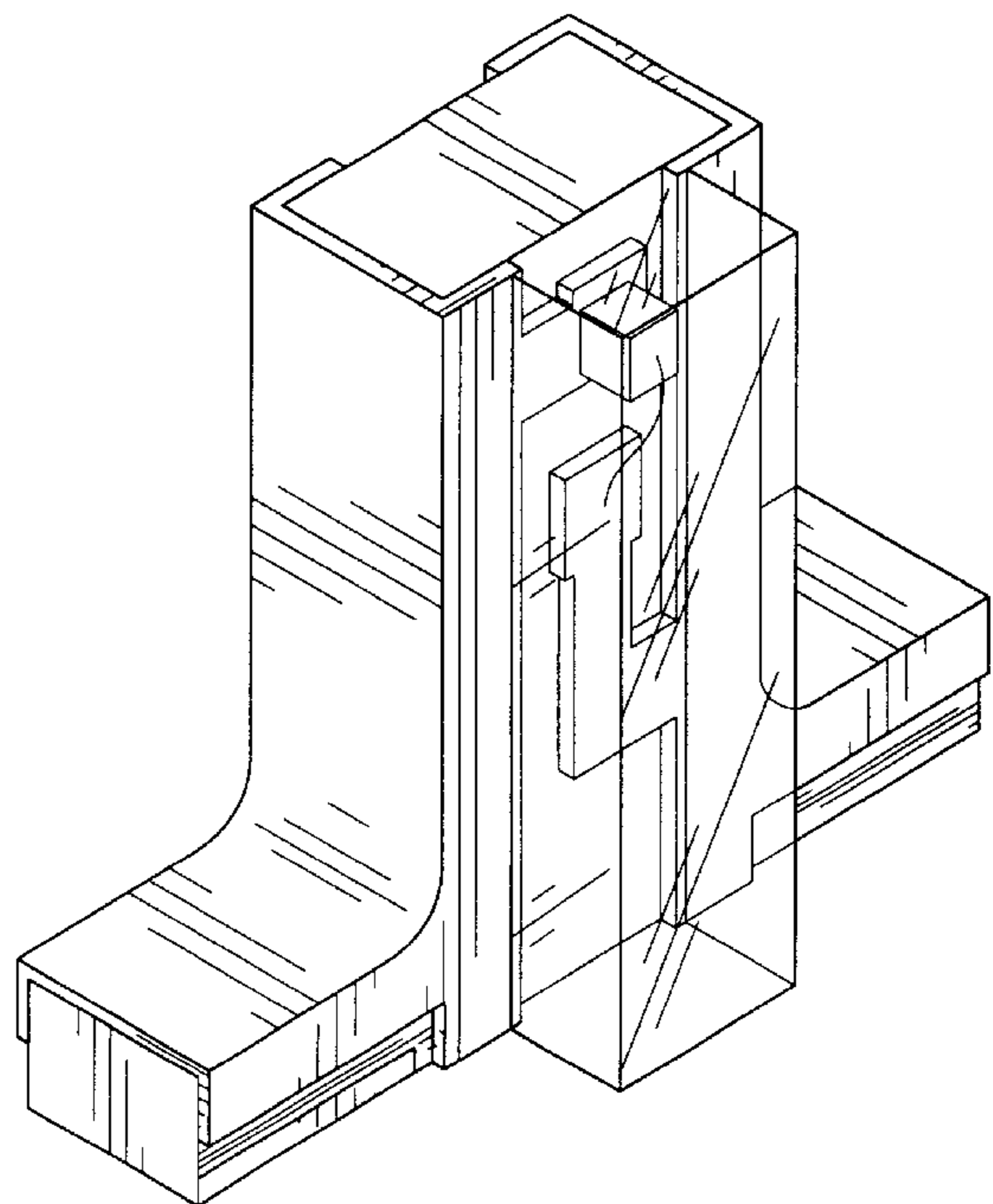
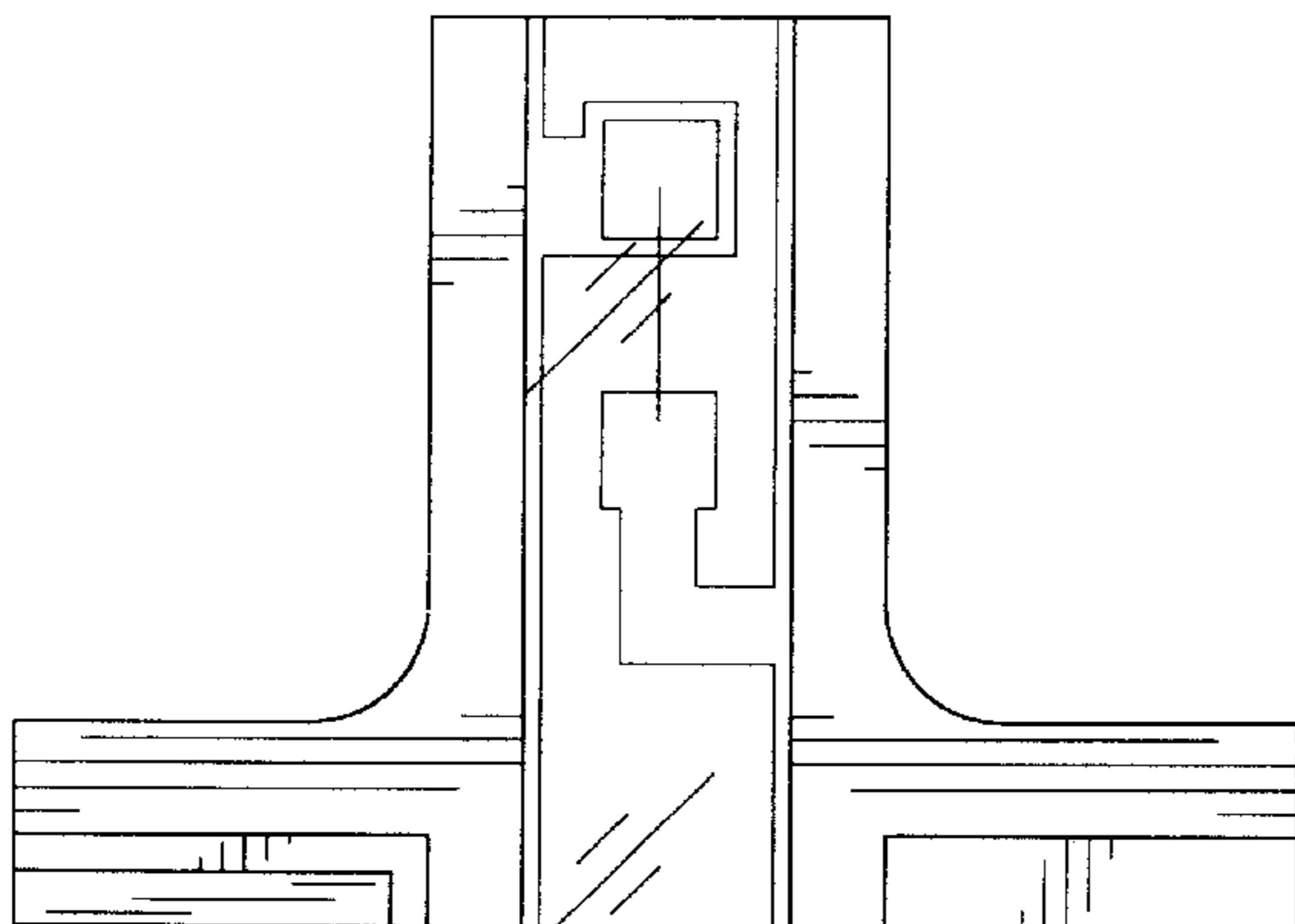
(57) **CLAIM**

The ornamental design for a light emitting diode, substantially as shown.

DESCRIPTION

FIG. 1 is a front view of the light emitting diode; FIG. 2 is a plan view of the light emitting diode of FIG. 1; FIG. 3 is a left side view of the light emitting diode of FIG. 1; FIG. 4 is a bottom view of the light emitting diode of FIG. 1; FIG. 5 is a rear view of the light emitting diode of FIG. 1; and, FIG. 6 is a referential view of the light emitting diode of FIG. 1.

1 Claim, 3 Drawing Sheets



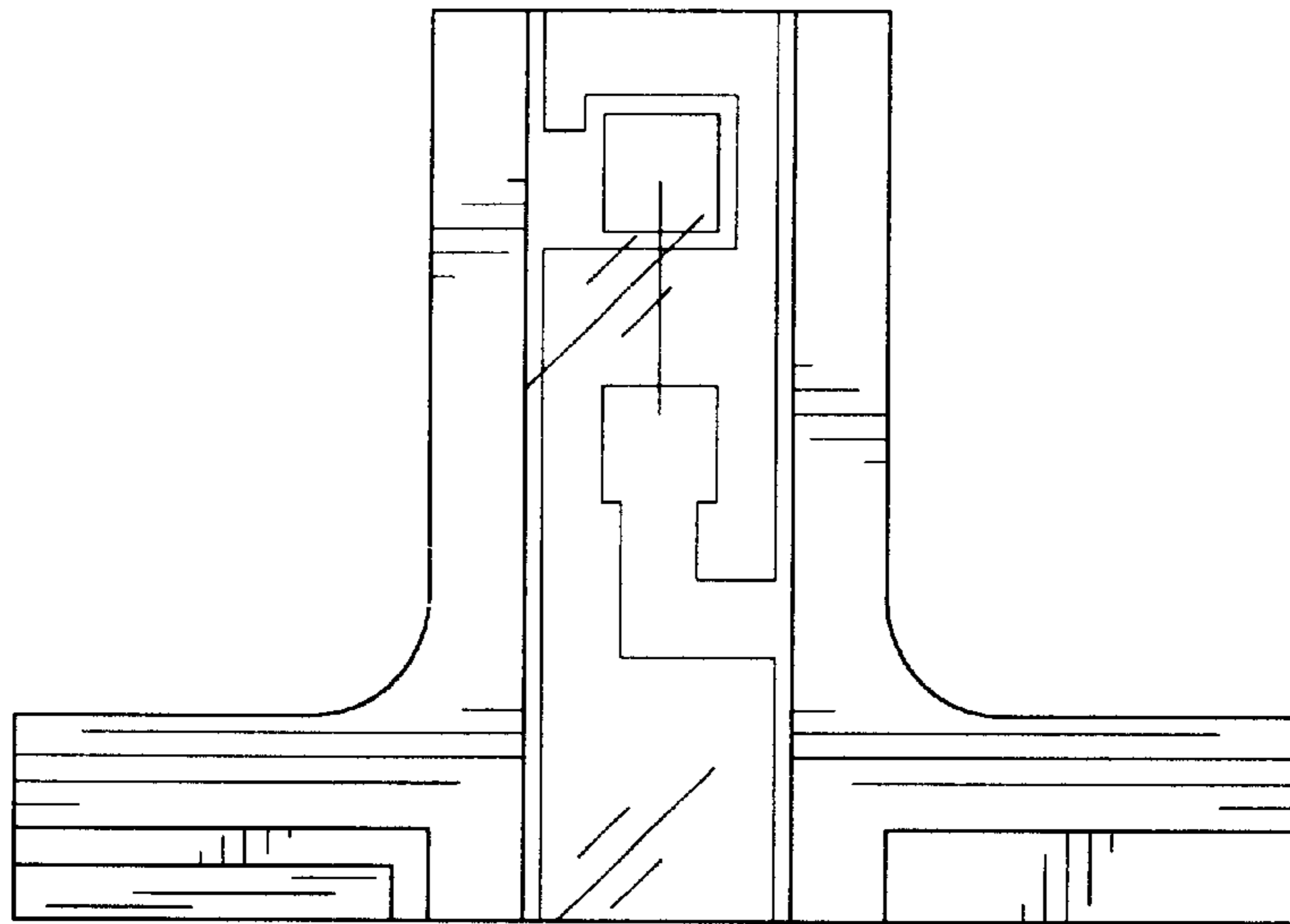


FIG. 1

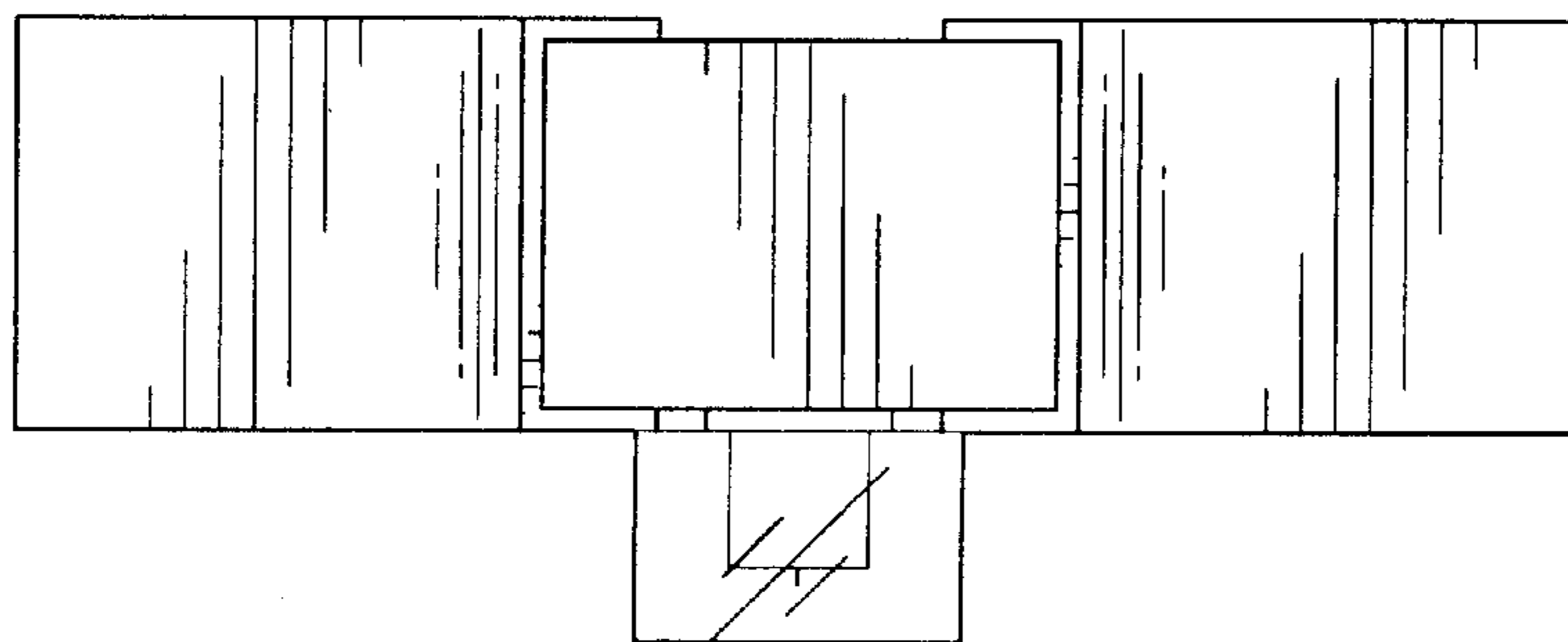


FIG. 2

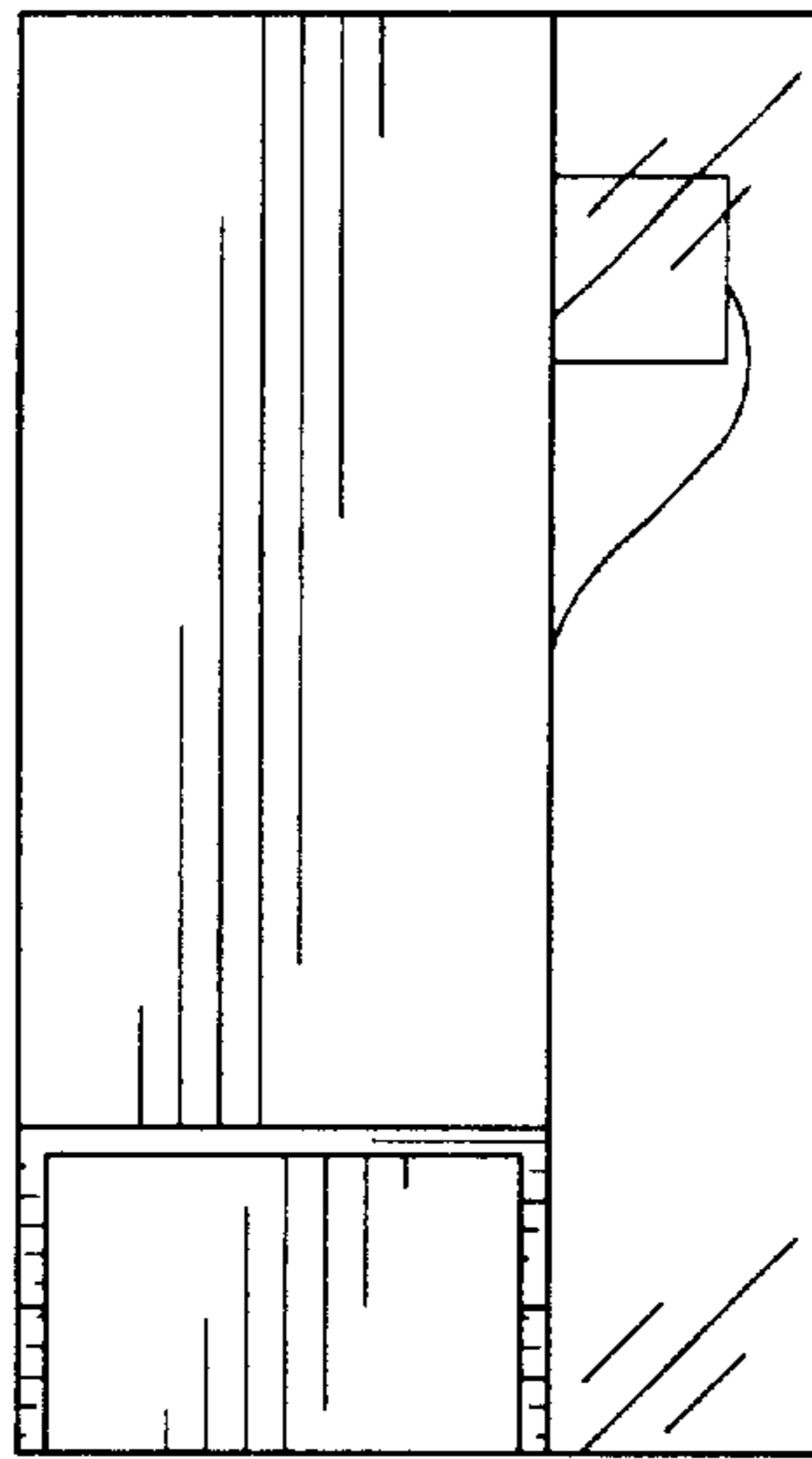


FIG. 3

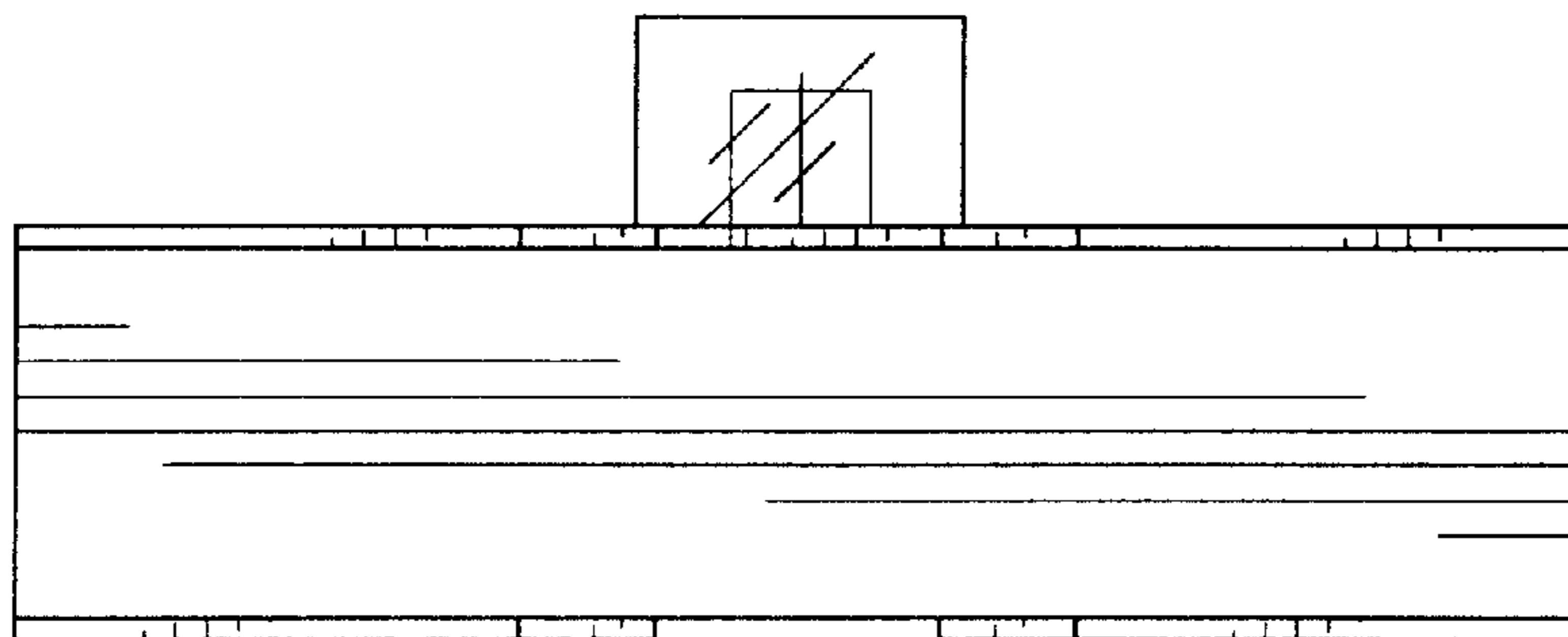


FIG. 4

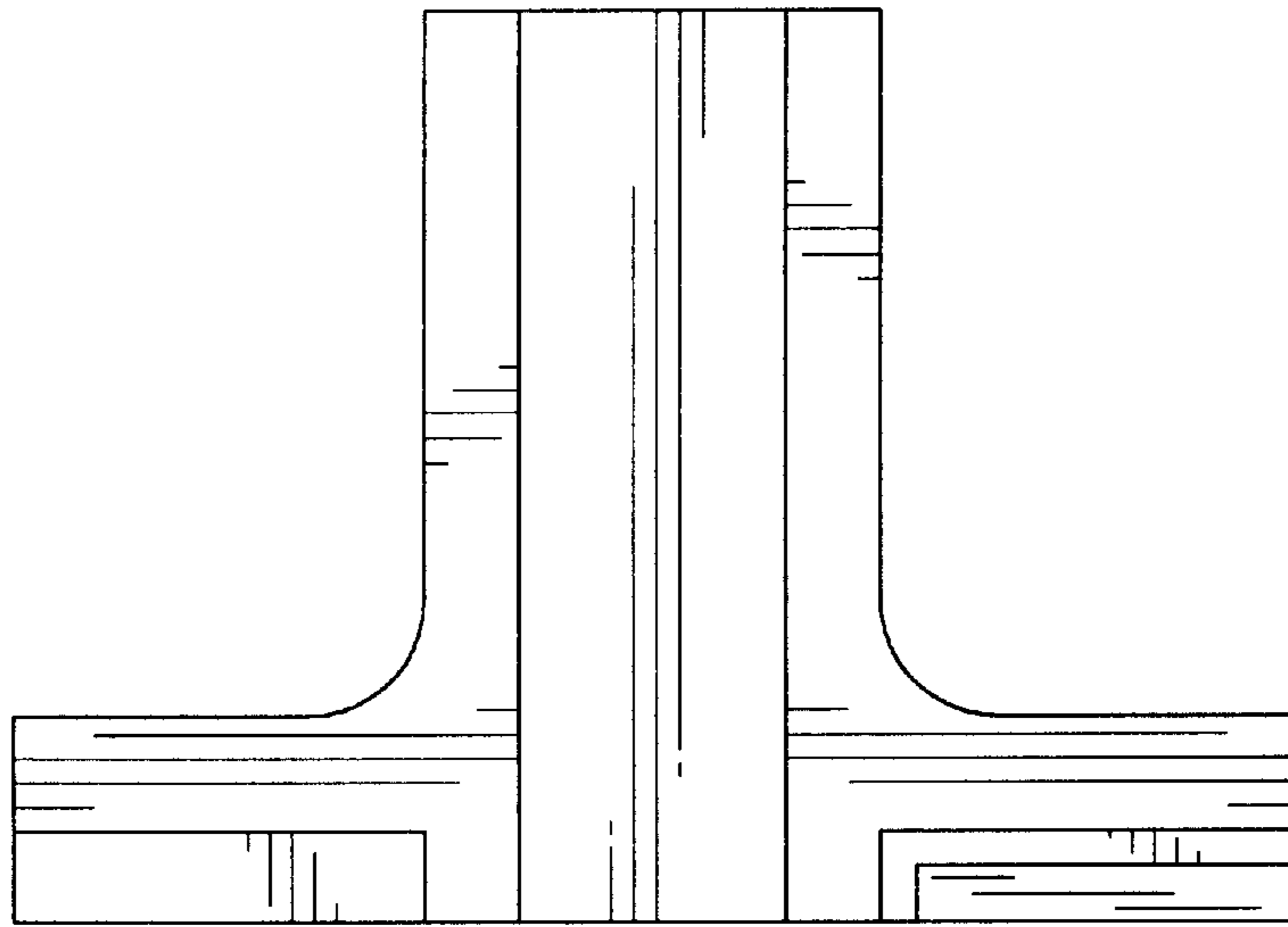


FIG. 5

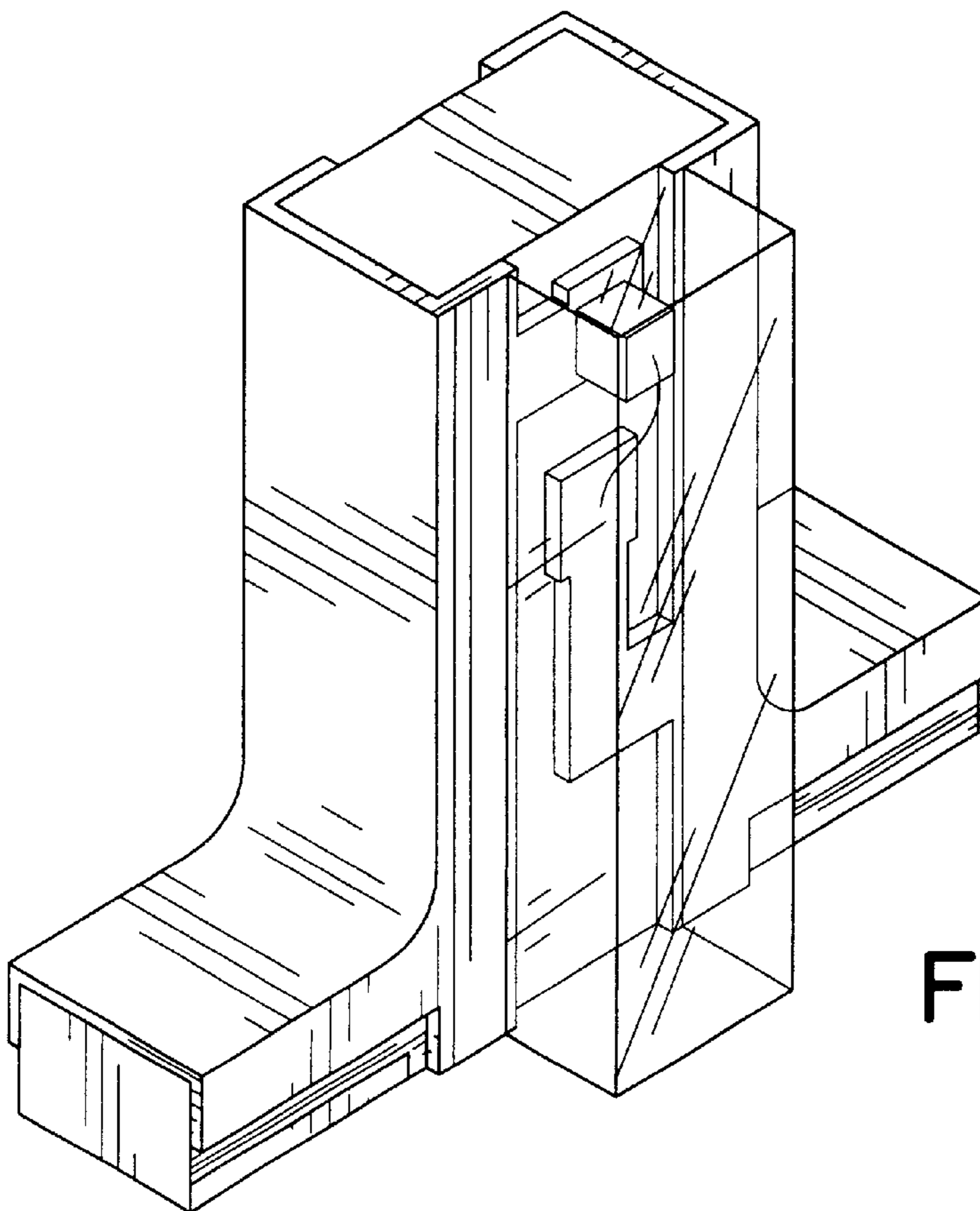


FIG. 6