



US00D462331S

(12) **United States Design Patent**
Fukumori et al.

(10) **Patent No.:** **US D462,331 S**

(45) **Date of Patent:** **** Sep. 3, 2002**

(54) **FUSE HOLDER**

(75) Inventors: **Shuichi Fukumori; Sonny Van Dessel,**
both of Osaka (JP)

(73) Assignee: **J.S.T. Mfg. Co., Ltd.,** Osaka (JP)

(**) Term: **14 Years**

(21) Appl. No.: **29/156,011**

(22) Filed: **Feb. 21, 2002**

Related U.S. Application Data

(62) Division of application No. 29/142,670, filed on May 31, 2001.

(30) **Foreign Application Priority Data**

Dec. 21, 2000 (WO) 173700701

(51) **LOC (7) Cl.** **13-03**

(52) **U.S. Cl.** **D13/161**

(58) **Field of Search** D13/160, 161,
D13/178; 337/142, 159, 186, 190, 194,
196, 197, 198, 201, 227, 255, 264; 361/600,
622, 626, 642, 833, 834; 439/170, 172,
366, 620, 621, 622, 687, 541.5, 540.1

(56) **References Cited**

U.S. PATENT DOCUMENTS

3,432,789 A * 3/1969 Poehlman 337/242
4,126,368 A * 11/1978 Godfrey et al. 439/354
4,560,227 A * 12/1985 Bukala 439/557
4,646,052 A * 2/1987 Matsunaga et al. 337/166

5,082,458 A * 1/1992 Poerschke 439/621
5,171,293 A * 12/1992 Umemoto et al. 439/622
5,281,171 A * 1/1994 Job 439/621
5,581,225 A * 12/1996 Oh et al. 337/295
5,632,654 A * 5/1997 Sugiura 439/621
5,841,337 A * 11/1998 Douglass 337/198
5,929,740 A * 7/1999 Oh et al. 337/198

* cited by examiner

Primary Examiner—James Gandy

Assistant Examiner—Selina Sikder

(74) *Attorney, Agent, or Firm*—W. F. Fasse; W. G. Fasse

(57) **CLAIM**

The ornamental design for a fuse holder, as shown and described.

DESCRIPTION

FIG. 1 is a front view of a fuse holder showing our new design.

FIG. 2 is a rear view of the fuse holder.

FIG. 3 is a top view of the fuse holder.

FIG. 4 is a bottom view of the fuse holder.

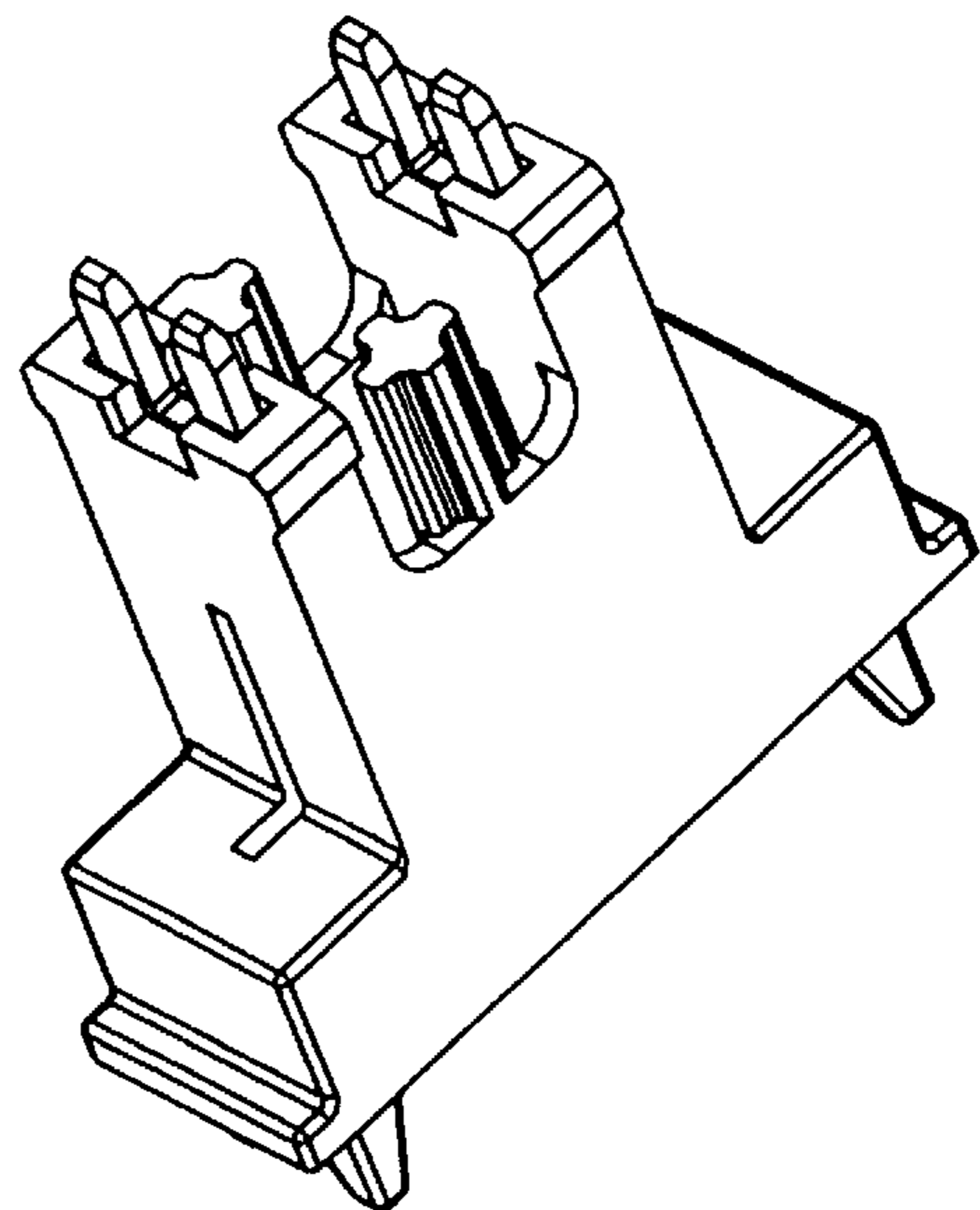
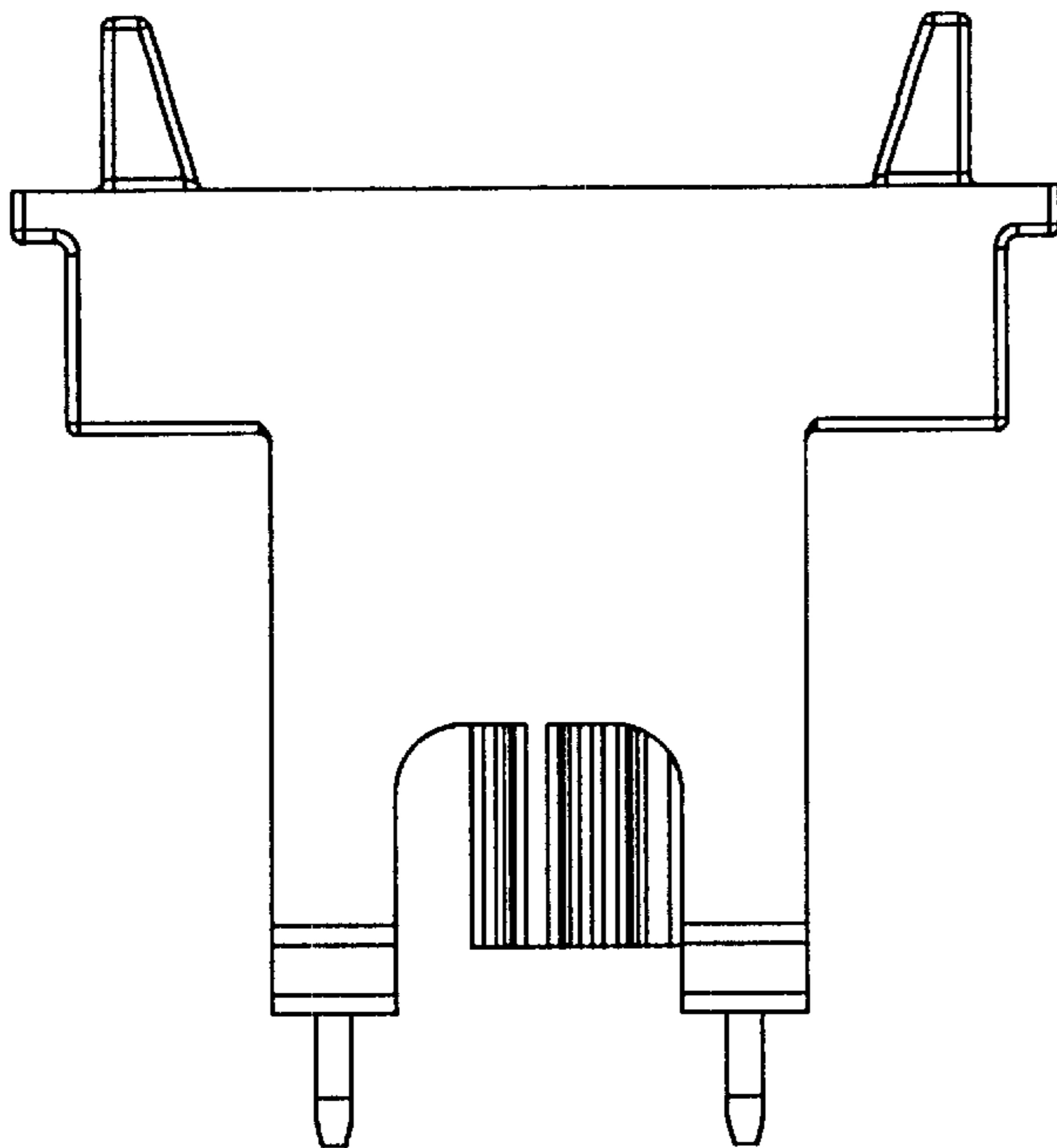
FIG. 5 is a left side view of the fuse holder.

FIG. 6 is a right side view of the fuse holder.

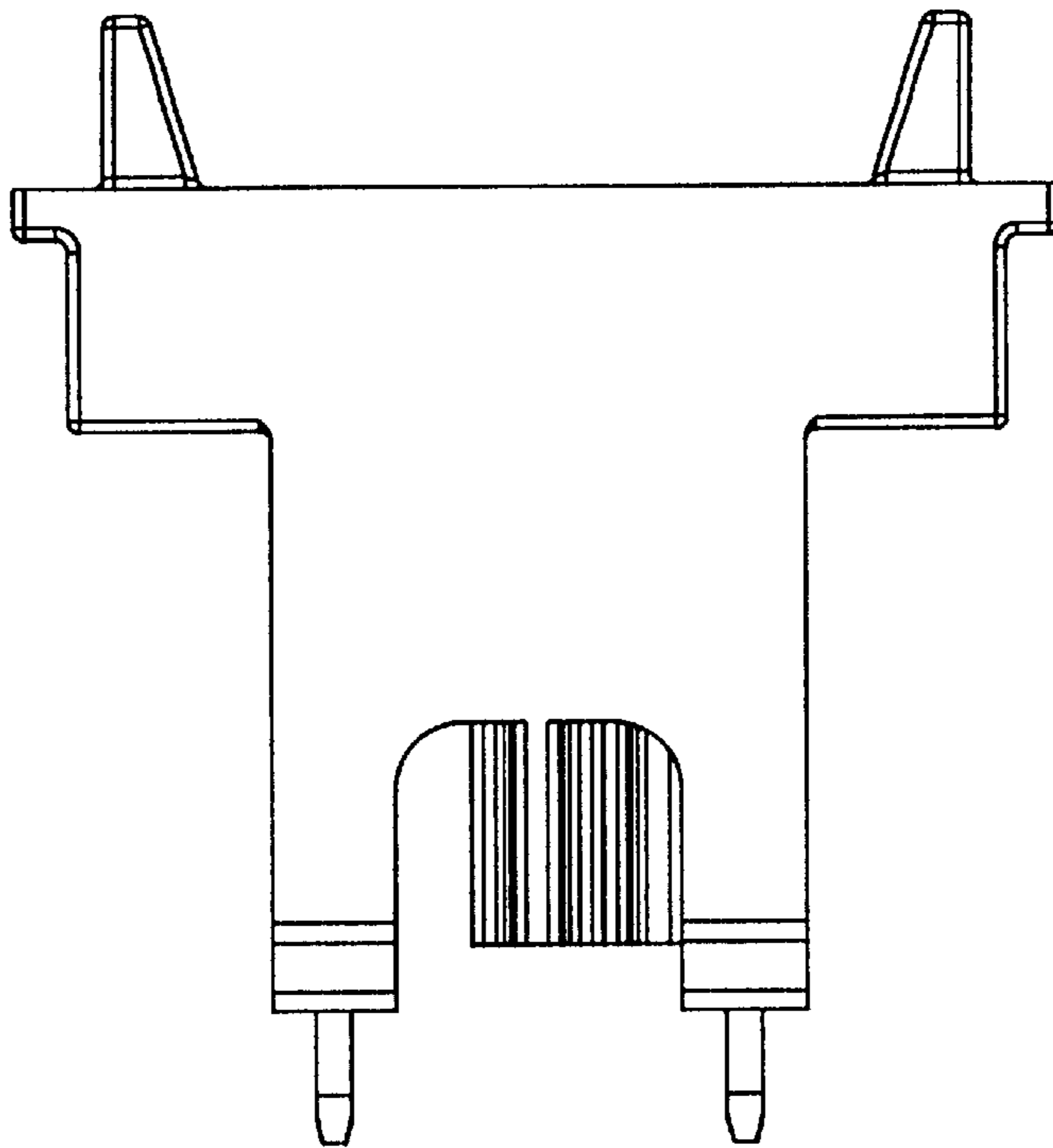
FIG. 7 and FIG. 8 are perspective views of the fuse holder; and,

FIG. 9 is a sectional view along the line IX—IX in FIG. 5, wherein the fuse holder is shown in a connecting condition. The fuse holder is mounted on a printed circuit board and receives a blade type fuse. The printed circuit board and the fuse are drawn in broken lines for illustrative purposes only and form no part of the claimed design.

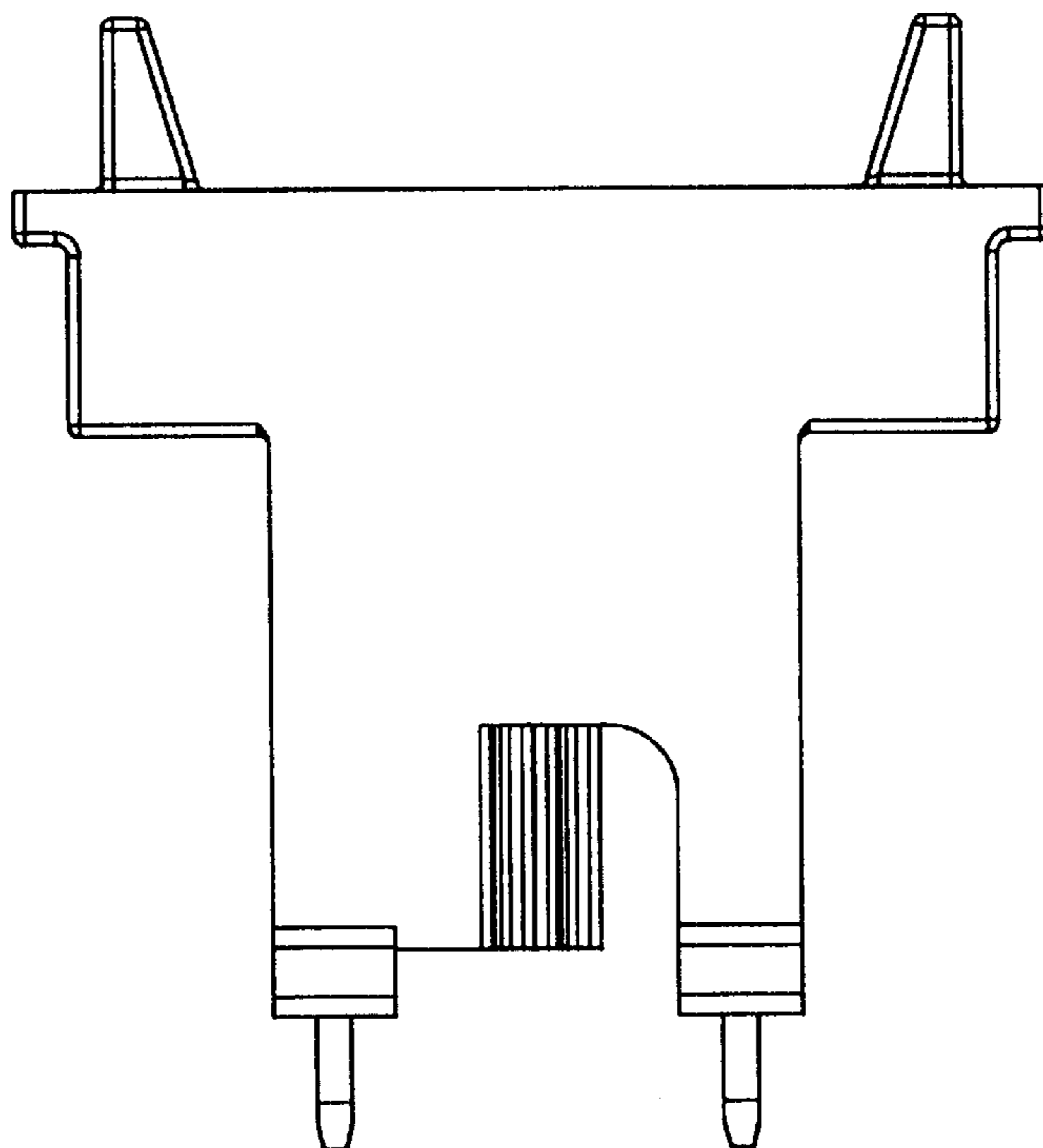
1 Claim, 5 Drawing Sheets



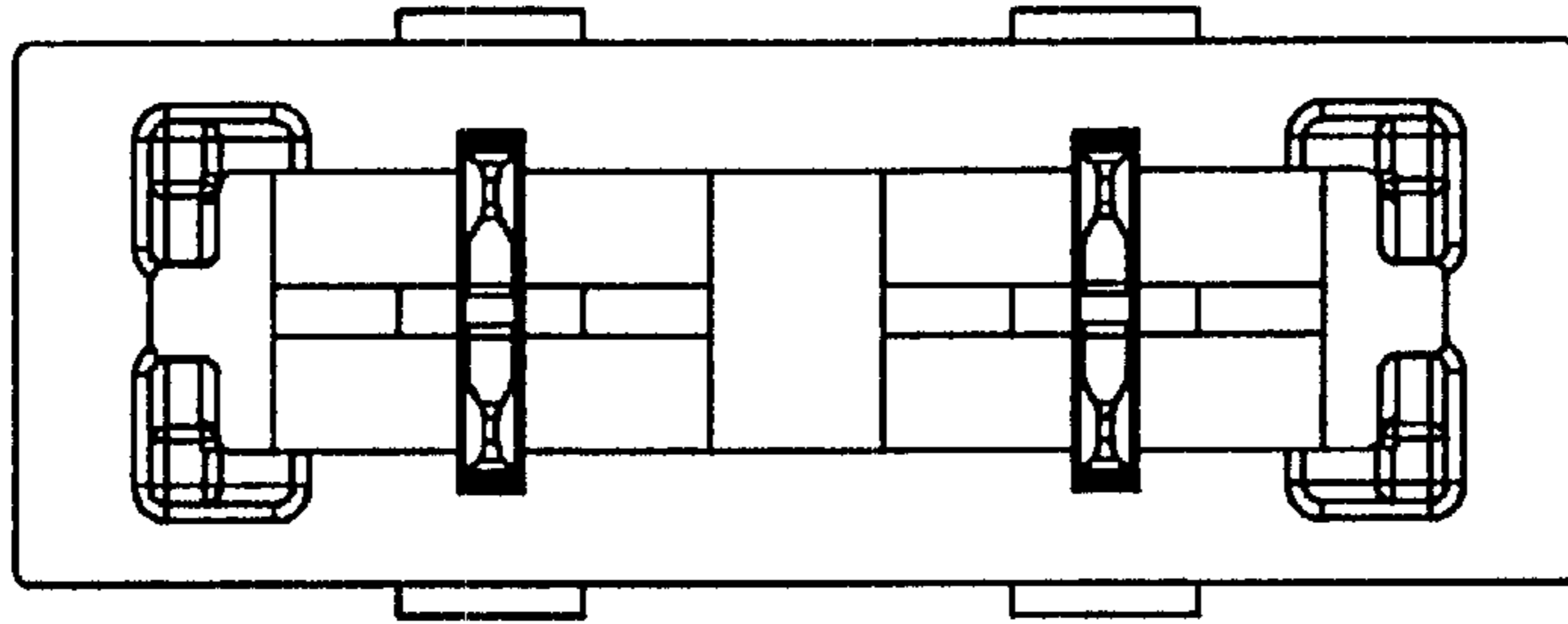
F I G . 1



F I G . 2



F I G . 3



F I G . 4

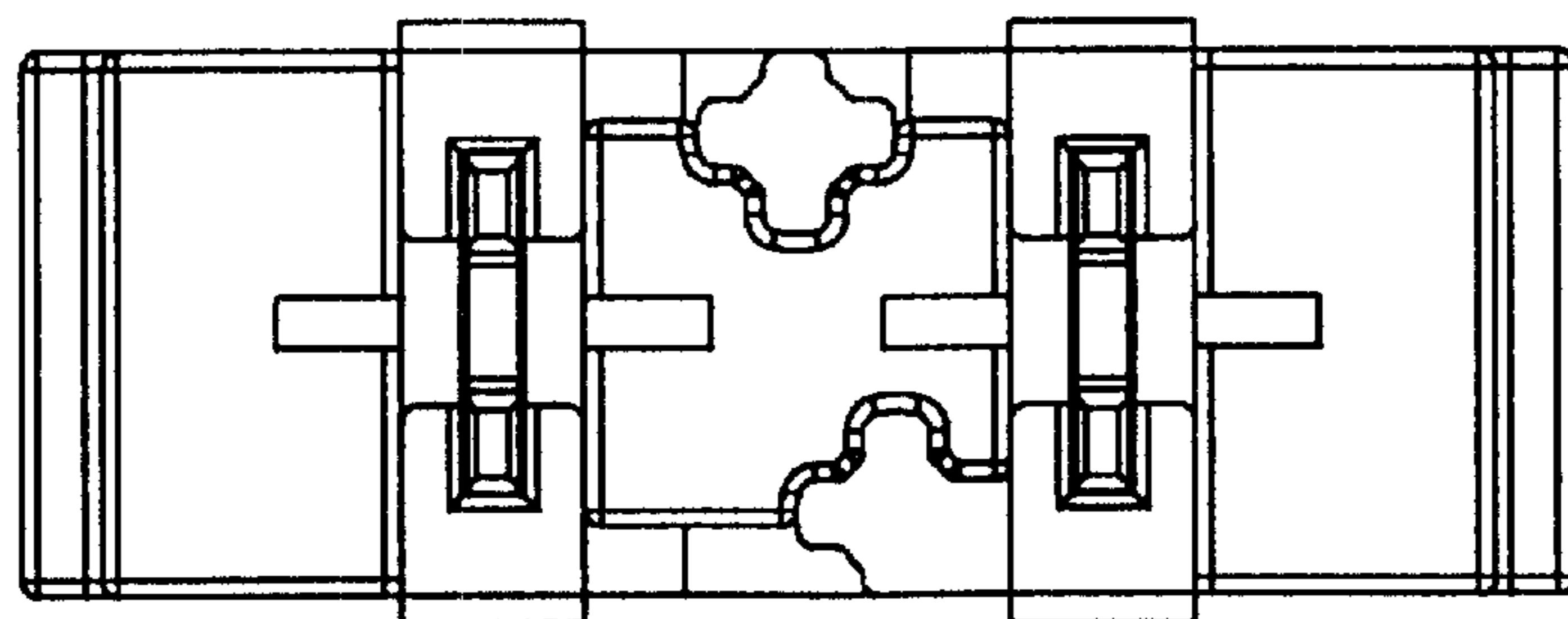


FIG. 5

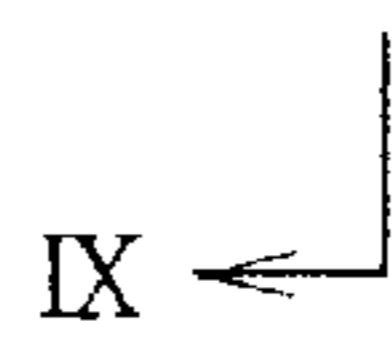
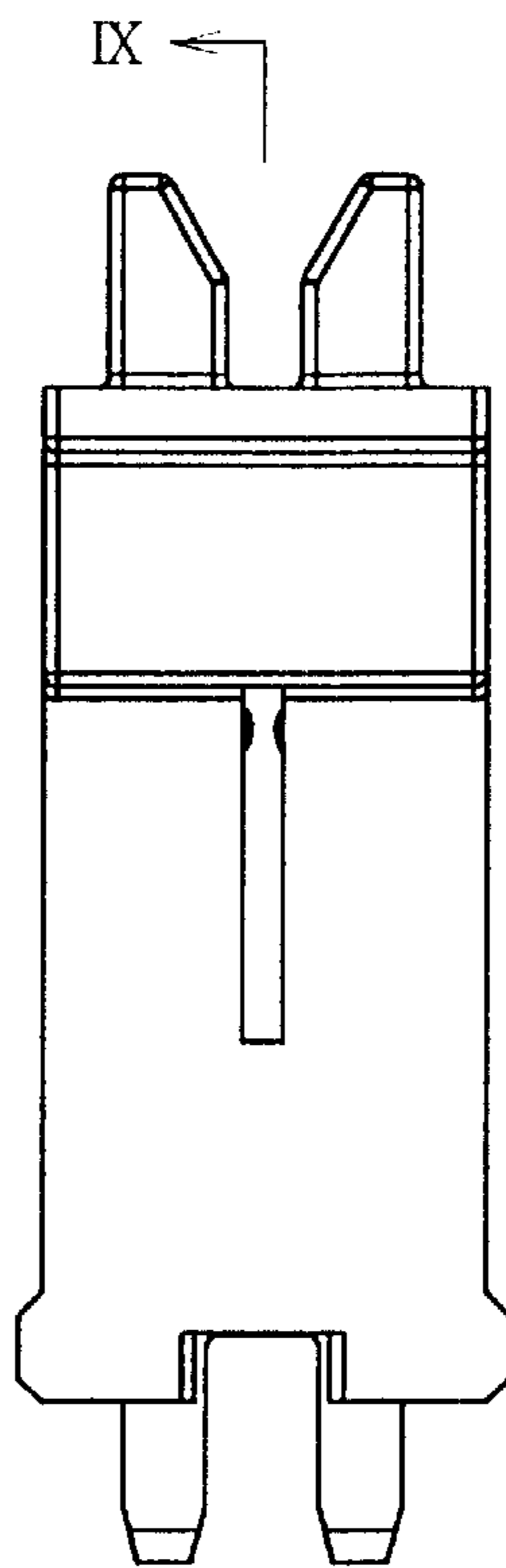
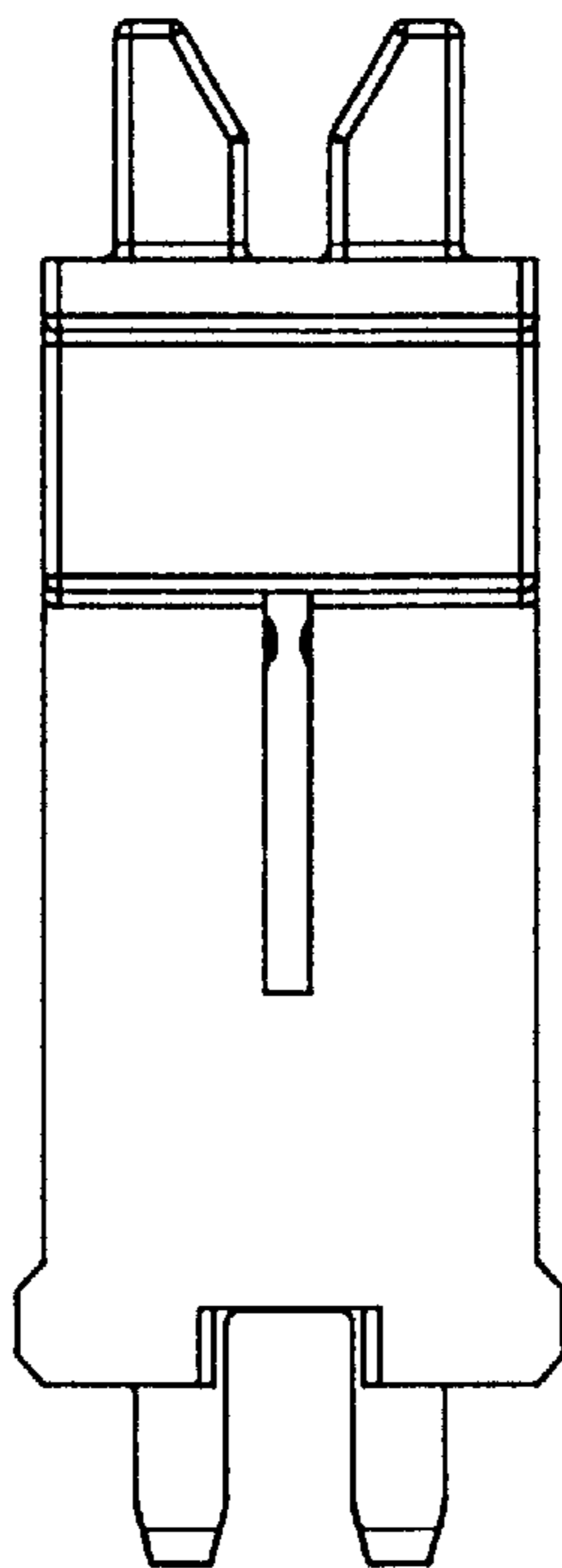
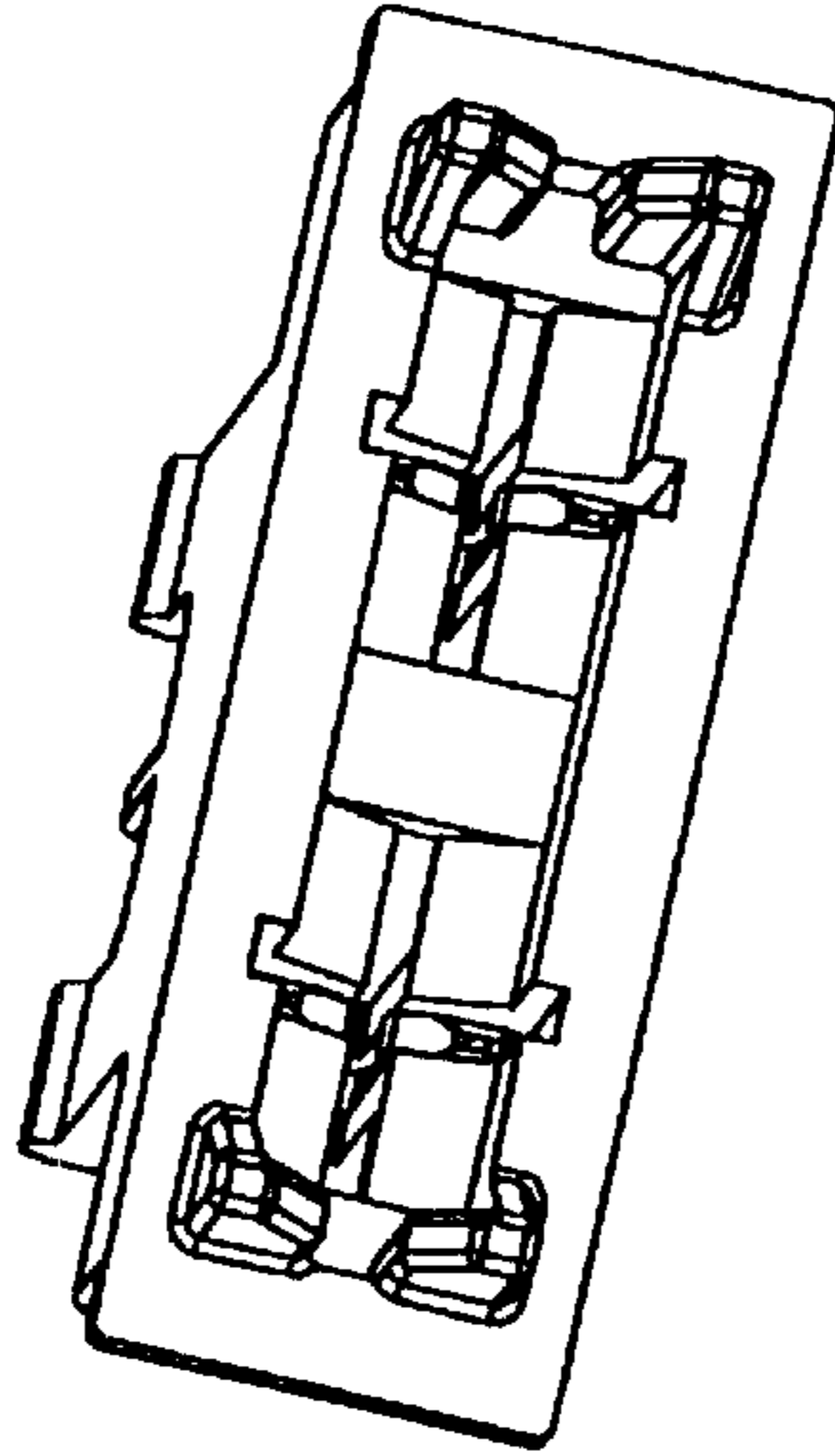


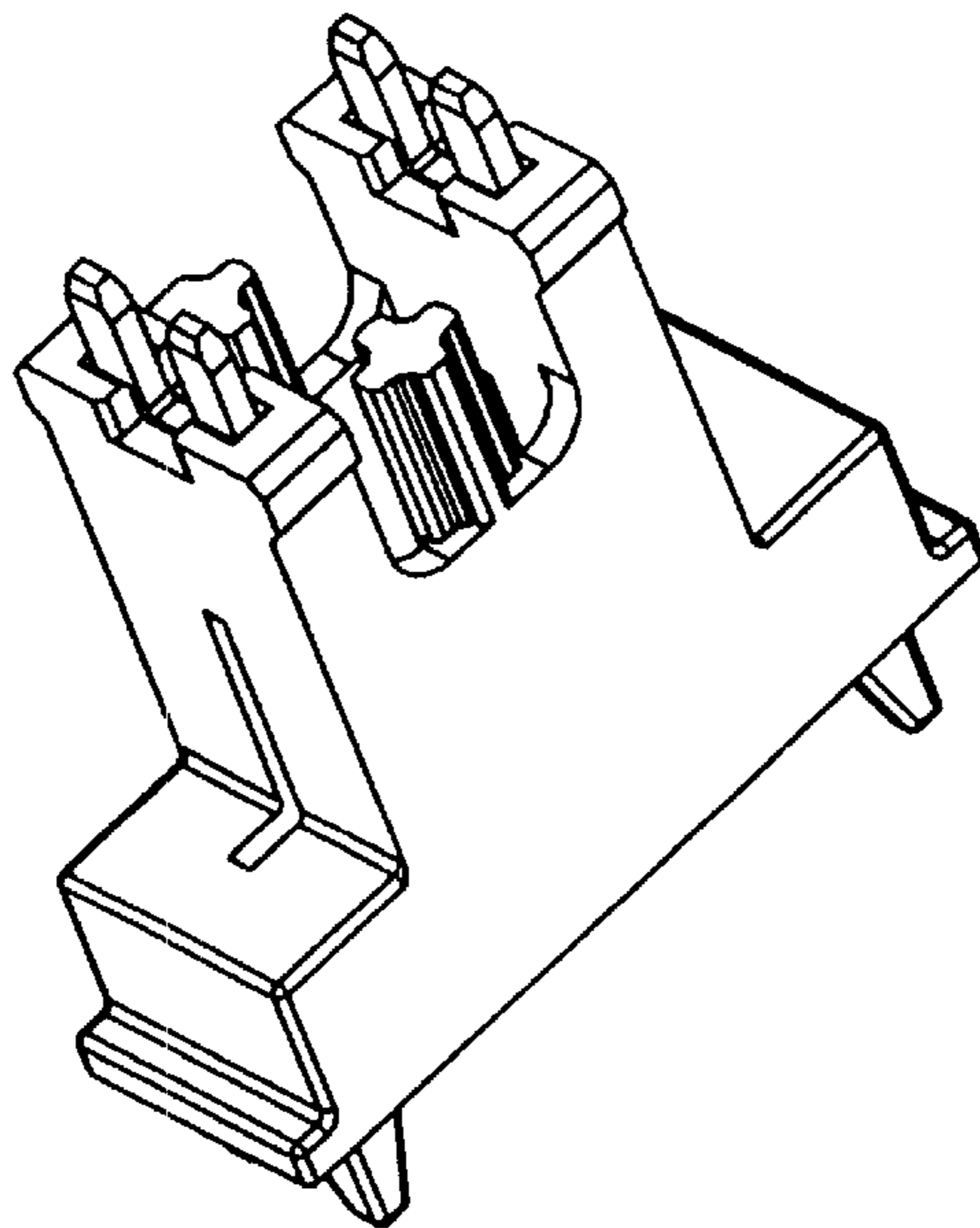
FIG. 6



F I G . 7



F I G . 8



F I G . 9

