



US00D462330S

(12) **United States Design Patent**  
**Sakurai**

(10) **Patent No.:** **US D462,330 S**

(45) **Date of Patent:** **\*\* Sep. 3, 2002**

(54) **MAGNETIC SWITCH**

(75) **Inventor:** **Koji Sakurai, Koshigaya (JP)**

(73) **Assignee:** **SMC Kabushiki Kaisha, Tokyo (JP)**

(\*\*) **Term:** **14 Years**

(21) **Appl. No.:** **29/145,323**

(22) **Filed:** **Jul. 19, 2001**

(30) **Foreign Application Priority Data**

Jan. 26, 2001 (JP) ..... 2001-001667

(51) **LOC (7) Cl.** ..... **13-03**

(52) **U.S. Cl.** ..... **D13/158**

(58) **Field of Search** ..... D13/158, 199;  
D8/354; 73/866.5; 92/5 R, 13.5, 117 A;  
200/82 E; 324/226, 207.17; 384/45.59

(56) **References Cited**

**U.S. PATENT DOCUMENTS**

D140,570 S \* 3/1945 Leupold ..... D13/158  
4,086,456 A \* 4/1978 Bone ..... 200/82 E  
4,594,487 A \* 6/1986 Grassl et al. .... 200/82 E  
4,752,657 A \* 6/1988 Kane et al. .... 200/82 E

5,308,168 A \* 5/1994 Yamaguchi et al. .... 384/45  
5,363,741 A \* 11/1994 Takada et al. .... 92/13.5  
5,617,772 A \* 4/1997 Hosono et al. .... 92/117 A  
D404,638 S \* 1/1999 Machijima ..... D8/354  
5,884,549 A \* 3/1999 Hosono et al. .... 92/5 R  
6,089,111 A \* 7/2000 Machijima ..... 73/866.5

\* cited by examiner

*Primary Examiner*—Ted Shooman

*Assistant Examiner*—Selina Sikder

(74) *Attorney, Agent, or Firm*—Frishauf, Holtz, Goodman & Chick, P.C.

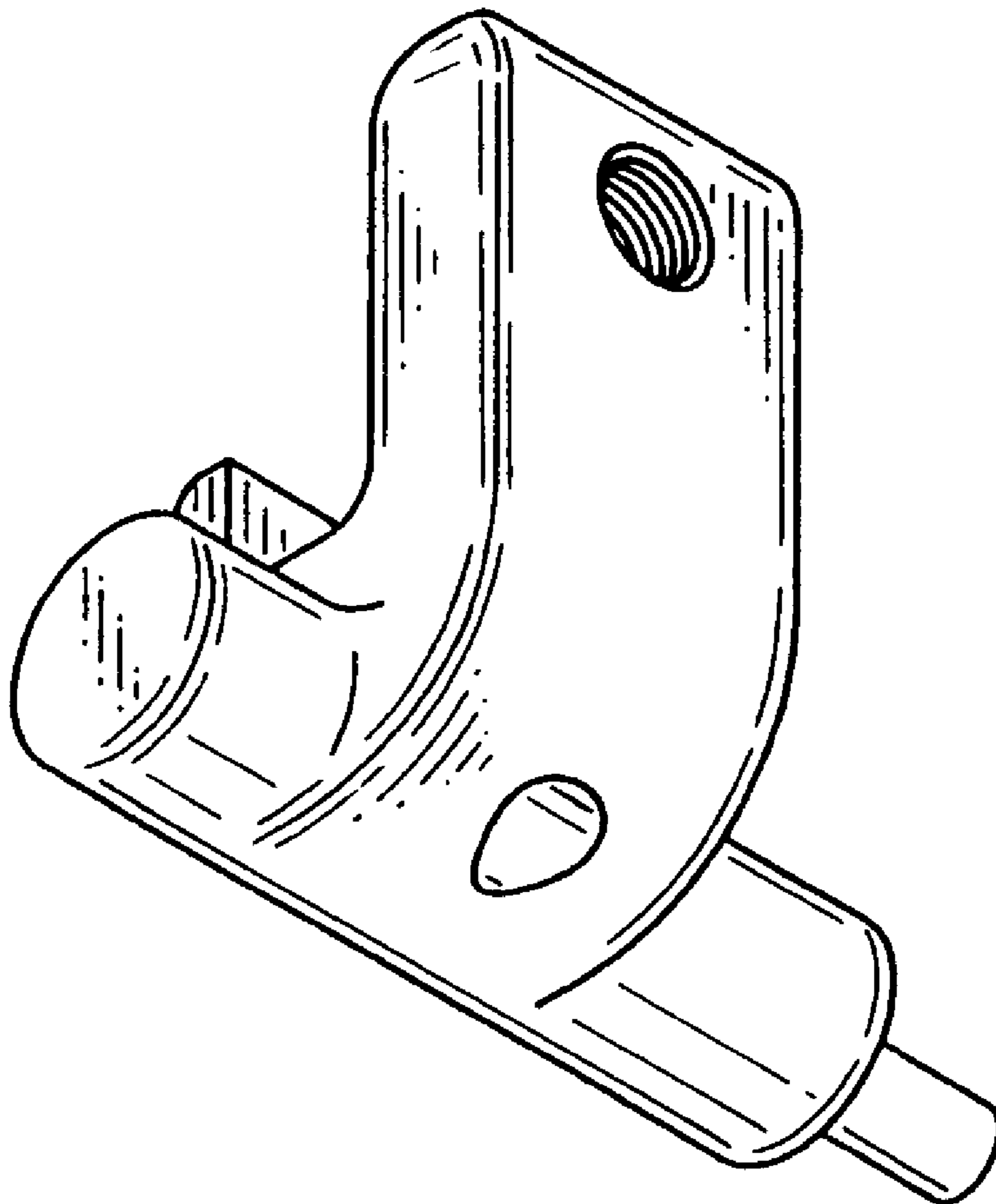
(57) **CLAIM**

The ornamental design for a magnetic switch, as shown.

**DESCRIPTION**

FIG. 1 is a bottom, front and left side perspective view of a magnetic switch showing my new design;  
FIG. 2 is a front view thereof;  
FIG. 3 is a rear view thereof;  
FIG. 4 is a top plan view thereof;  
FIG. 5 is a bottom plan view thereof;  
FIG. 6 is a right side view thereof; and,  
FIG. 7 is a left side view thereof.

**1 Claim, 4 Drawing Sheets**



# FIG. 1

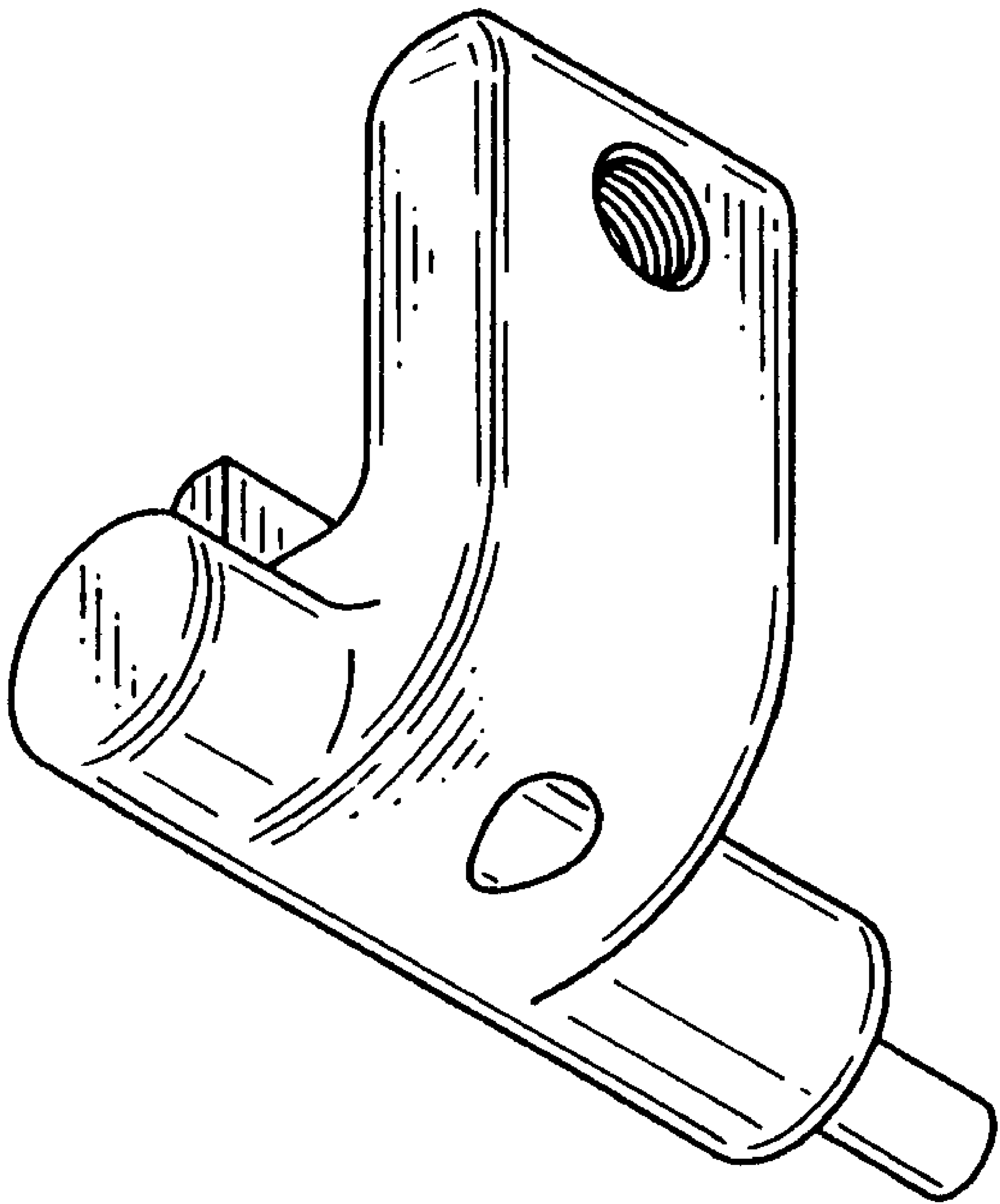


FIG. 2

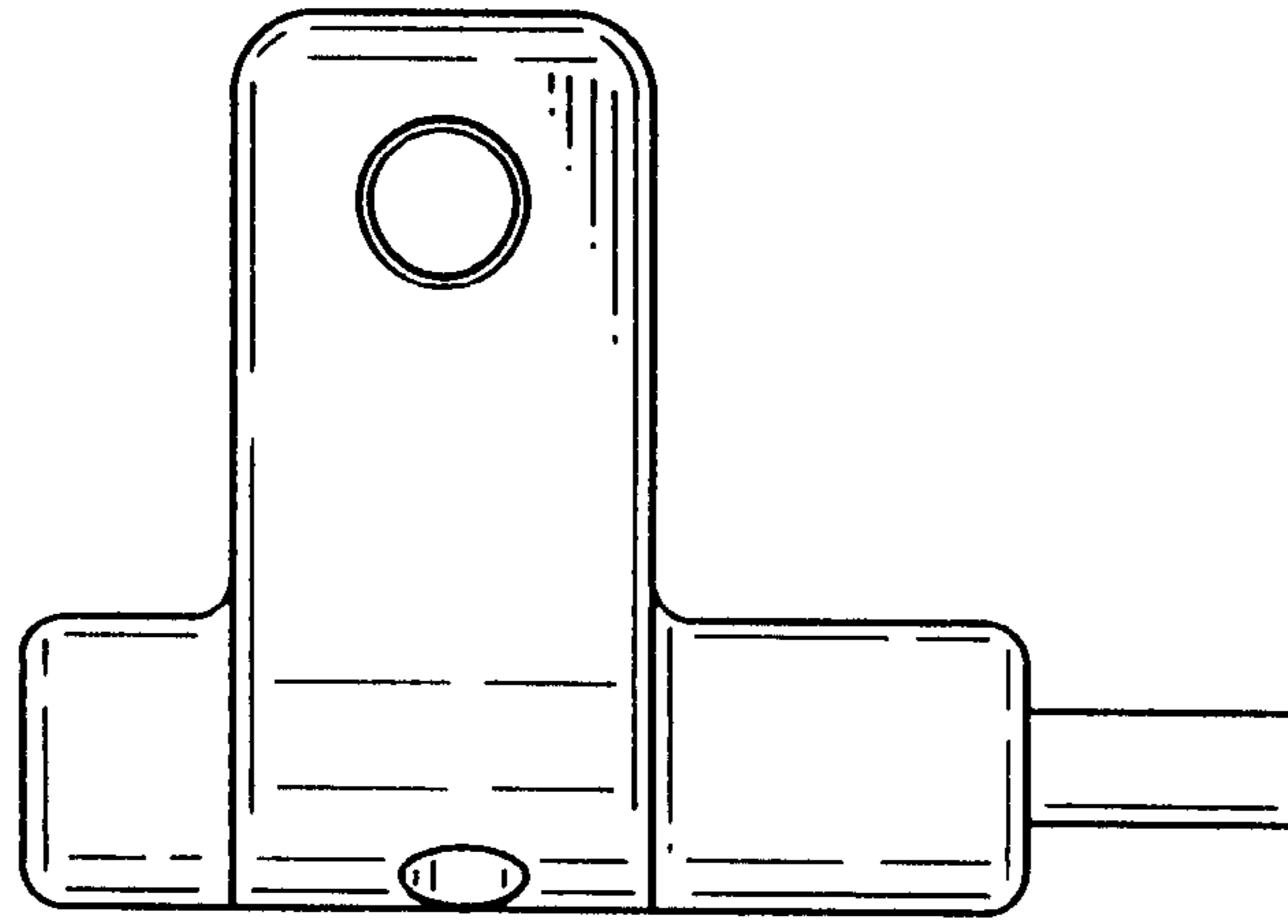


FIG. 3

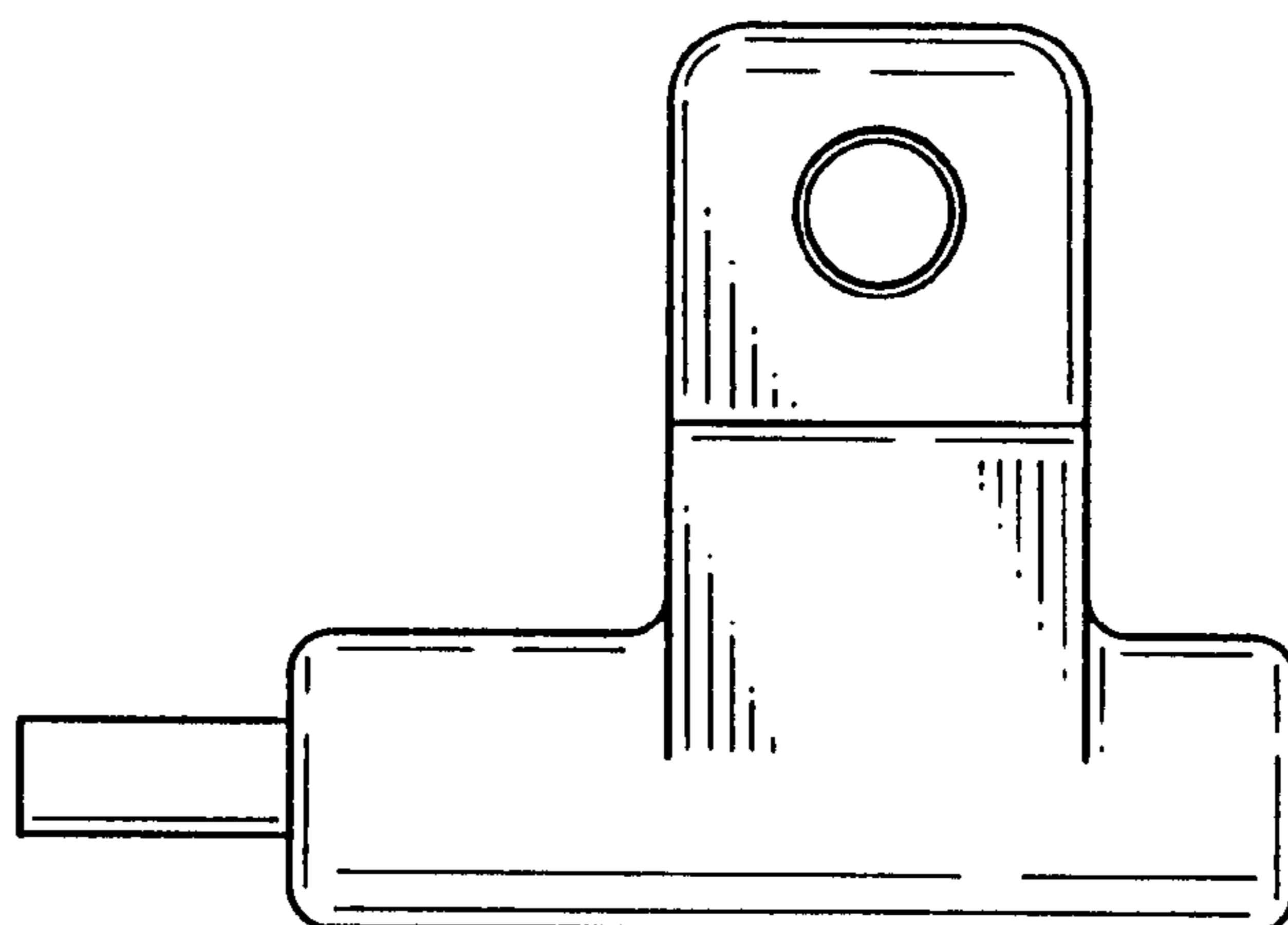


FIG. 4

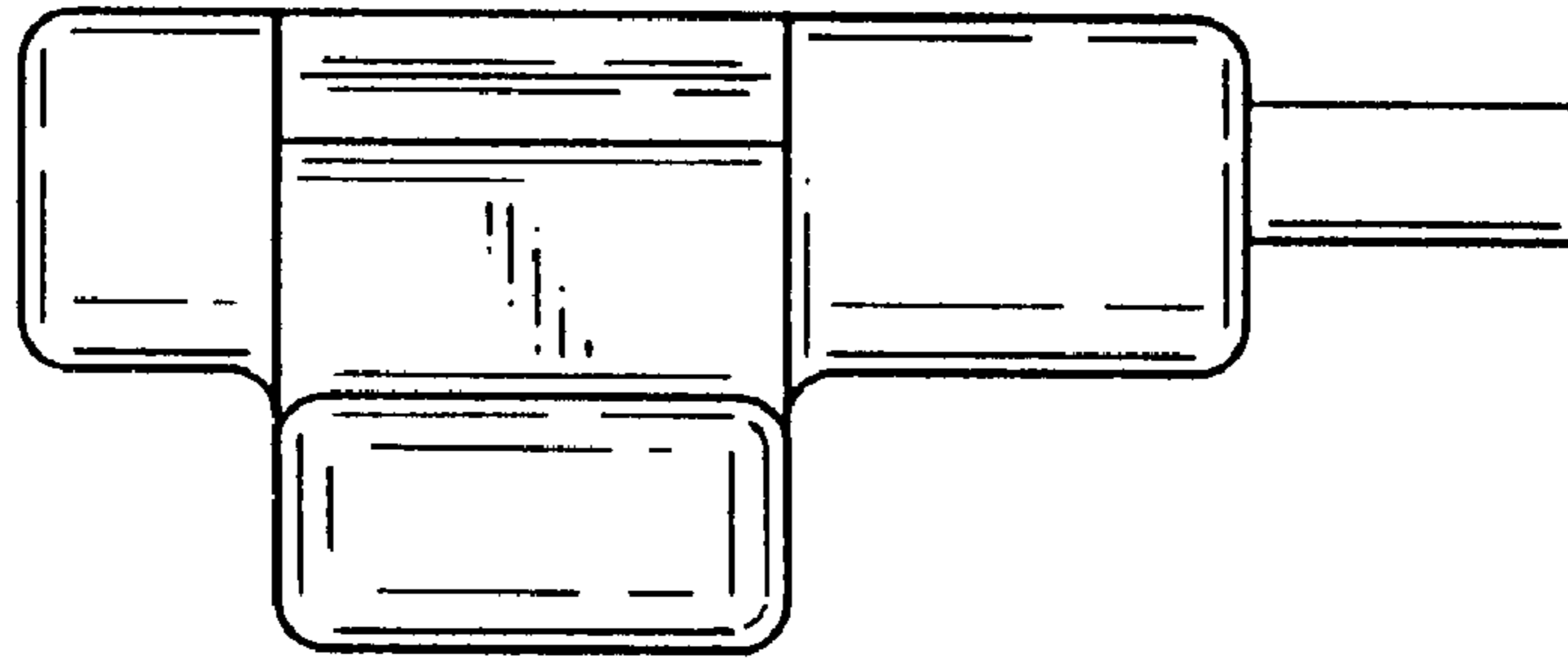


FIG. 5

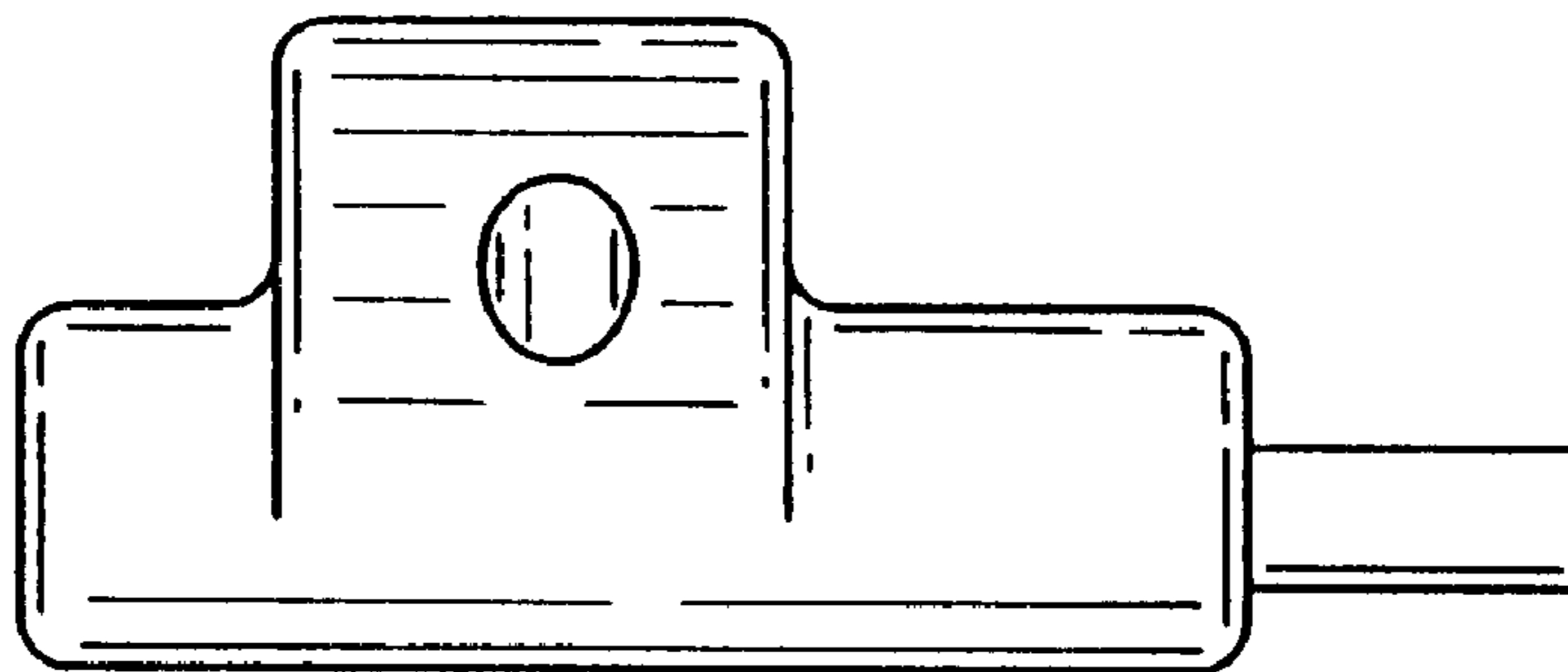


FIG. 6

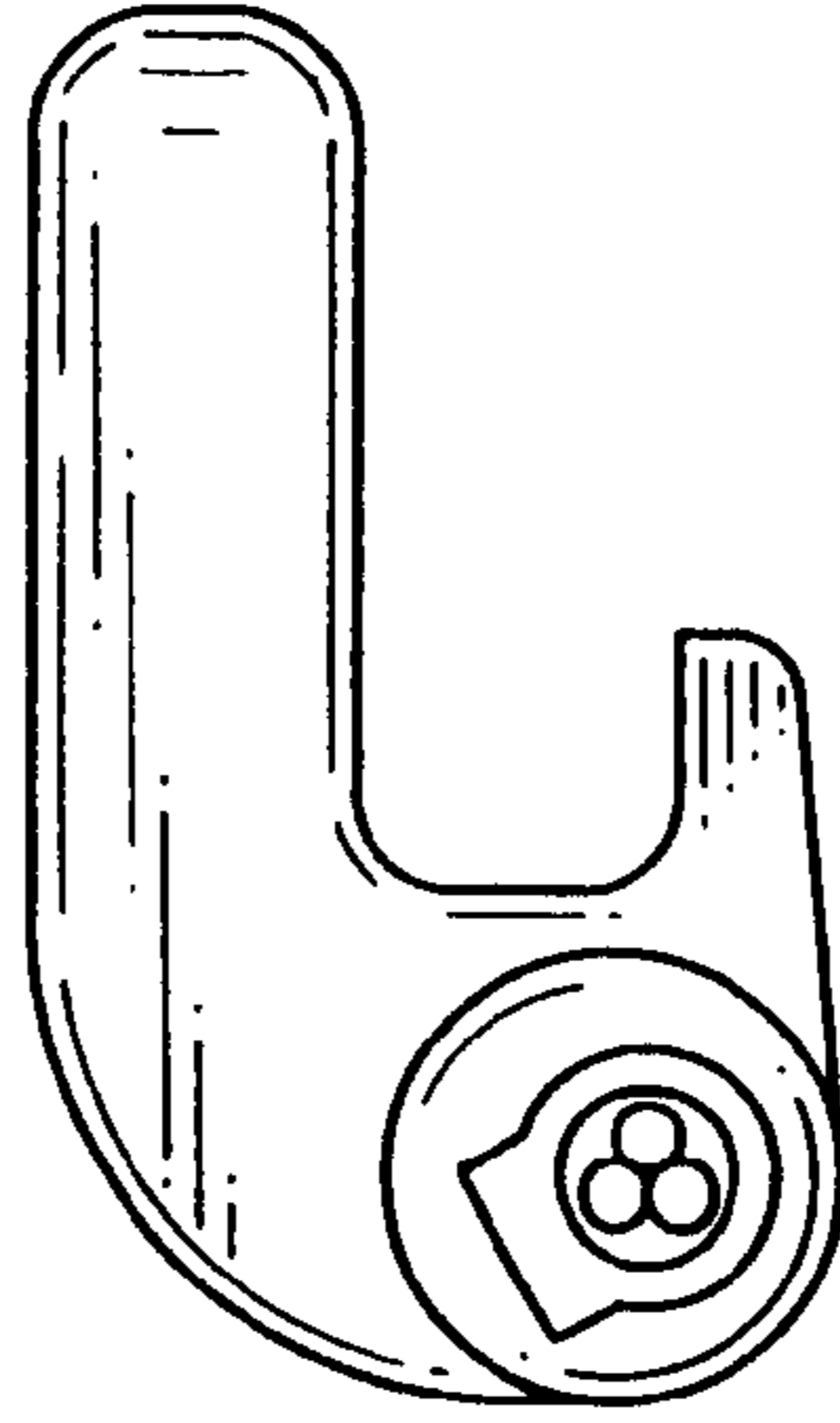


FIG. 7

