



US00D462328S

(12) **United States Design Patent**
Hughes

(10) **Patent No.:** **US D462,328 S**

(45) **Date of Patent:** **** Sep. 3, 2002**

(54) **TAP HOUSING**

(75) **Inventor:** **Jeffrey Hughes**, Sugar Hill, GA (US)

(73) **Assignee:** **Scientific-Atlanta, Inc.**, Lawrenceville, GA (US)

(**) **Term:** **14 Years**

(21) **Appl. No.:** **29/145,645**

(22) **Filed:** **Jul. 26, 2001**

(51) **LOC (7) Cl.** **13-03**

(52) **U.S. Cl.** **D13/152**

(58) **Field of Search** D8/350, 351, 352,
D8/353; D13/139.4, 139.5, 147, 152, 153,
154, 156, 158, 173, 184; 174/48, 50, 53,
54, 58, 65 R, 66, 67; 220/3.2, 3.3, 3.6,
3.8, 33.92, 4.02; 333/100; 361/643; 439/367,
535, 536, 653

(56) **References Cited**

U.S. PATENT DOCUMENTS

4,531,791 A	*	7/1985	Bauchet	439/108
4,654,470 A	*	3/1987	Feldman et al.	174/50
5,648,745 A	*	7/1997	Spriester et al.	333/100
D396,693 S	*	8/1998	Shen	D13/147
D396,694 S	*	8/1998	Shen	D13/147
5,814,905 A	*	9/1998	Tang	333/100
D402,293 S	*	12/1998	Kodaira et al.	D13/152
5,850,165 A	*	12/1998	Spriester et al.	333/100

5,909,154 A	*	6/1999	Brown et al.	333/100
5,939,672 A	*	8/1999	Tang	174/50.5
5,994,976 A	*	11/1999	Tang	333/100
6,018,278 A	*	1/2000	Tang	333/100
D424,523 S	*	5/2000	Hughes	D13/147
6,069,315 A	*	5/2000	Tang	174/50
6,074,250 A	*	6/2000	Tang	439/579
6,129,597 A	*	10/2000	Gresko	439/824
6,133,939 A	*	10/2000	Gresko	333/100
6,261,125 B1	*	7/2001	Yeh	439/579

* cited by examiner

Primary Examiner—Robert M. Spear

(74) *Attorney, Agent, or Firm*—Hubert J. Barnhardt, III;
Kenneth M. Massaroni; Shelley L. Couturier

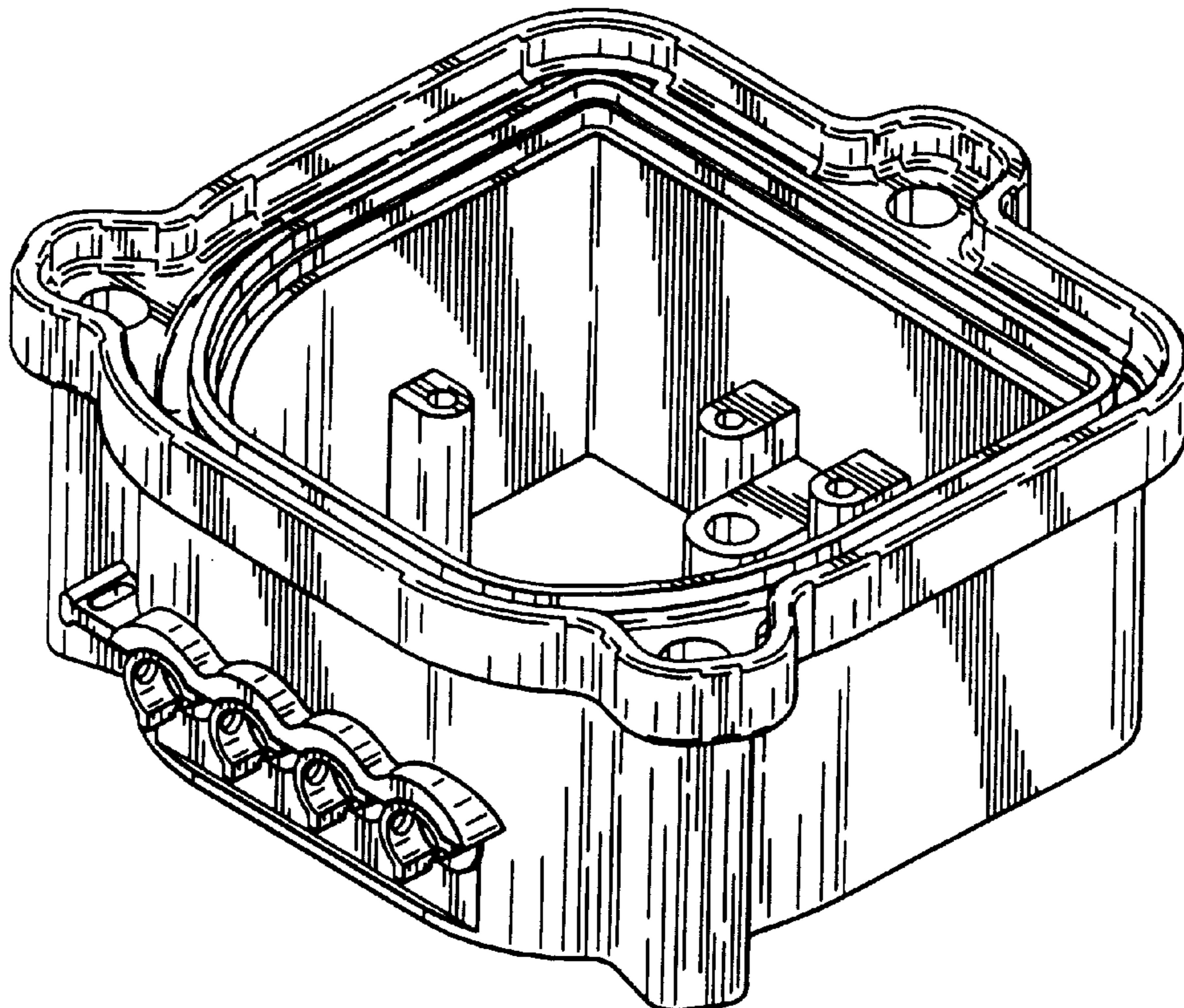
(57) **CLAIM**

The ornamental design for a tap housing, as shown and described.

DESCRIPTION

FIG. 1 is a top front right perspective view of a tap housing in accordance with the instant invention; FIG. 2 is a front elevational view thereof; FIG. 3 is a right elevational view thereof; FIG. 4 is a back view thereof; FIG. 5 is a left view thereof; FIG. 6 is a top elevational view thereof; and, FIG. 7 is a bottom elevational view thereof.

1 Claim, 3 Drawing Sheets



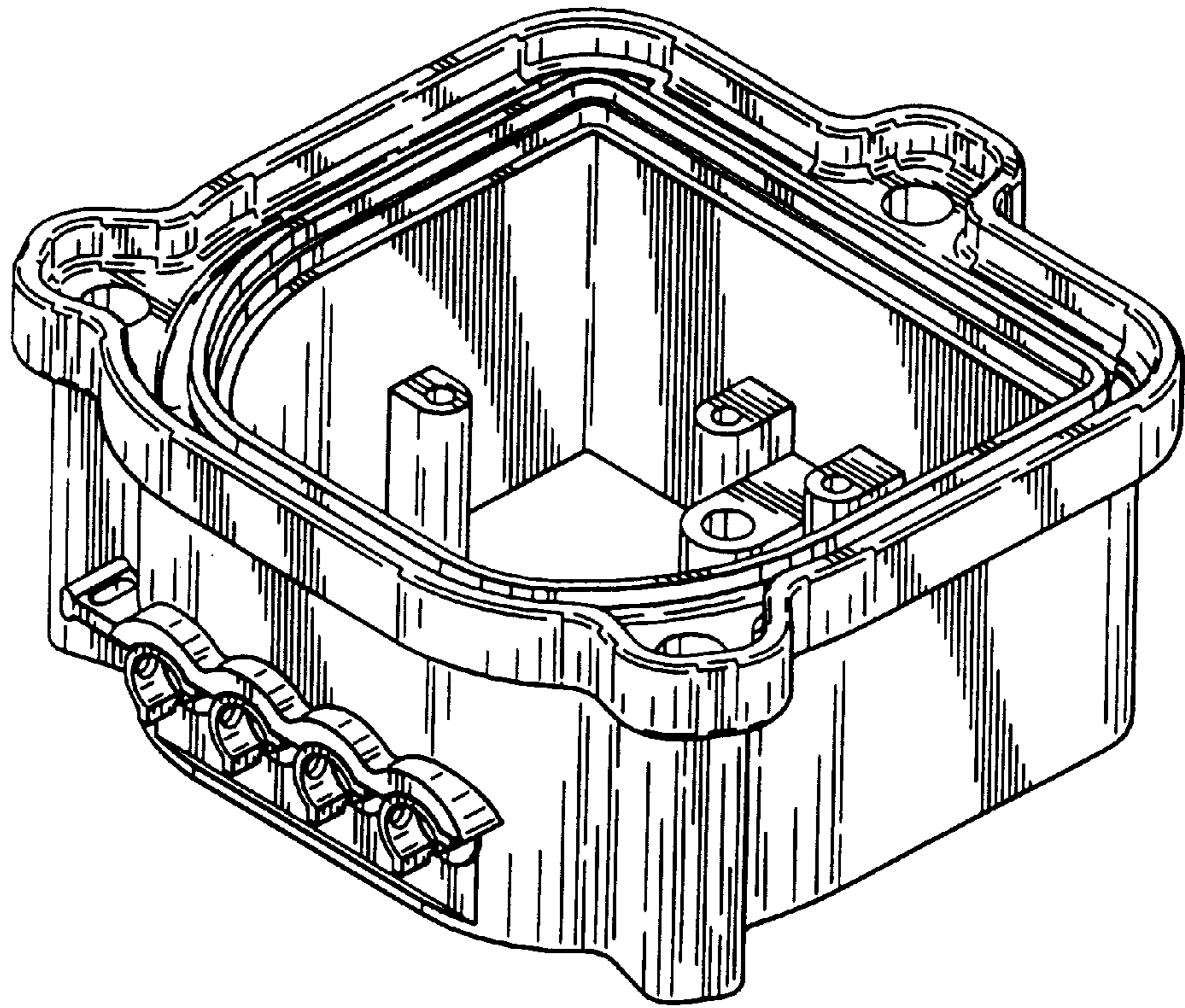


FIG 1

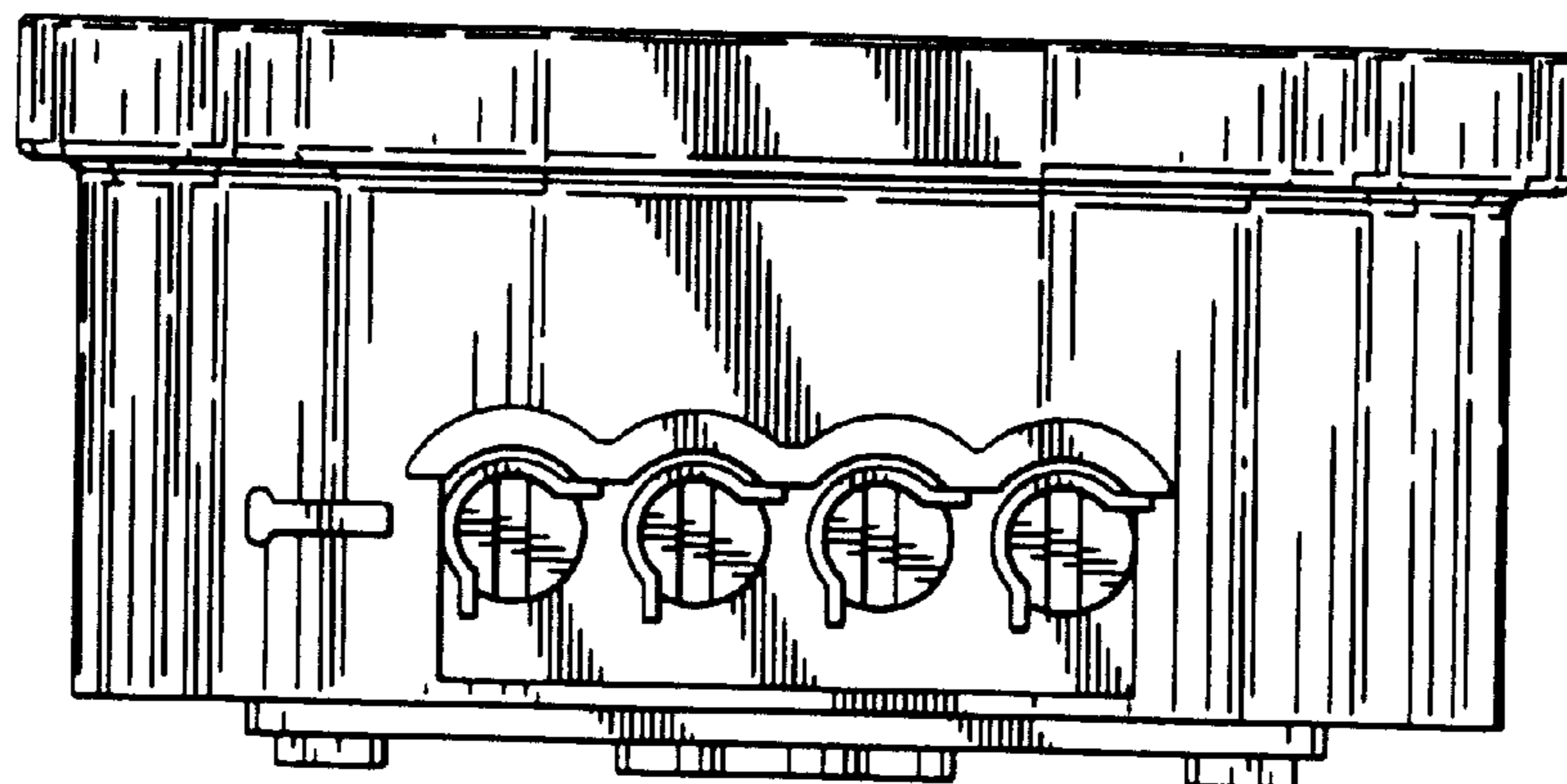


FIG 2

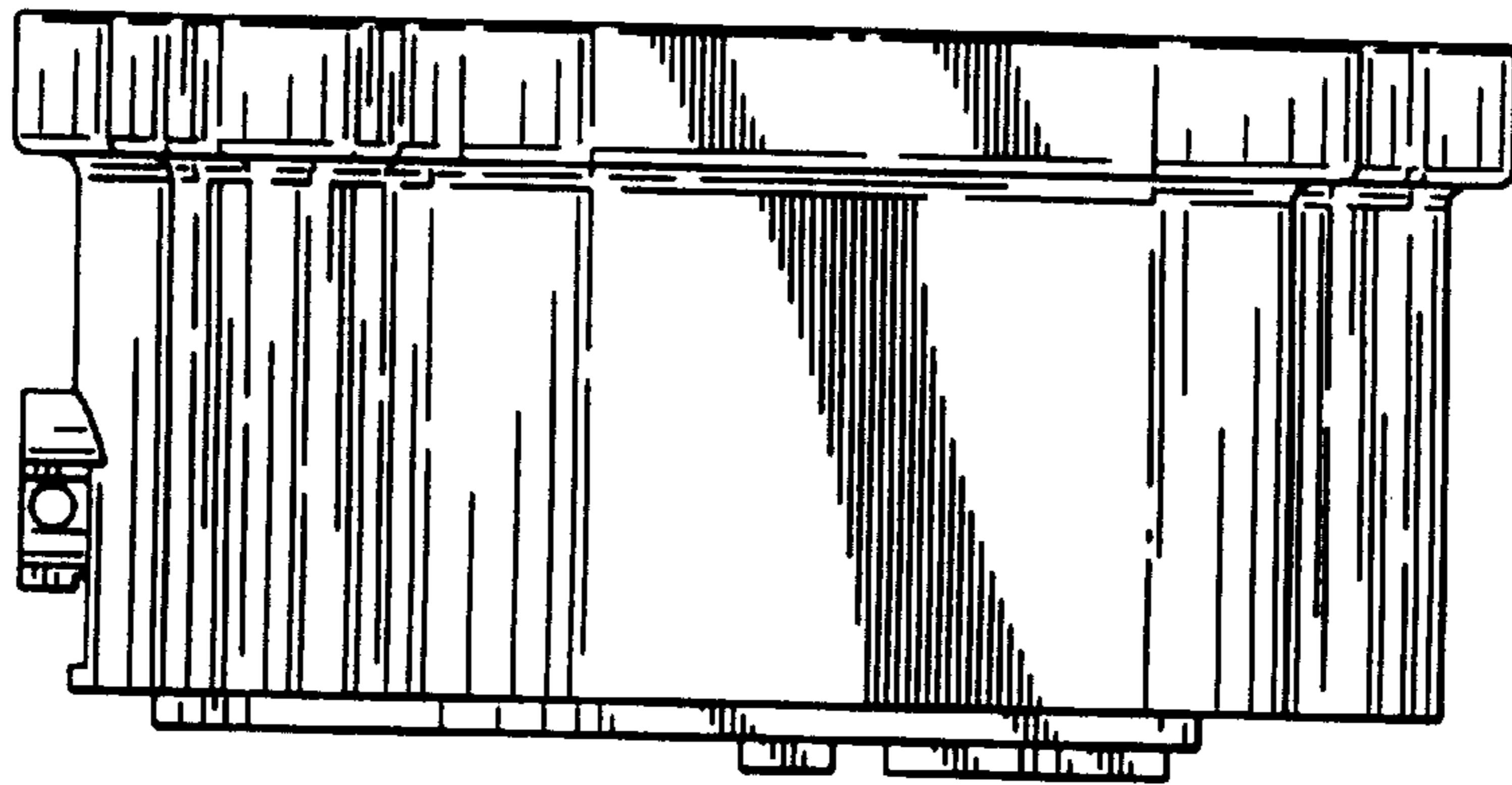


FIG 3

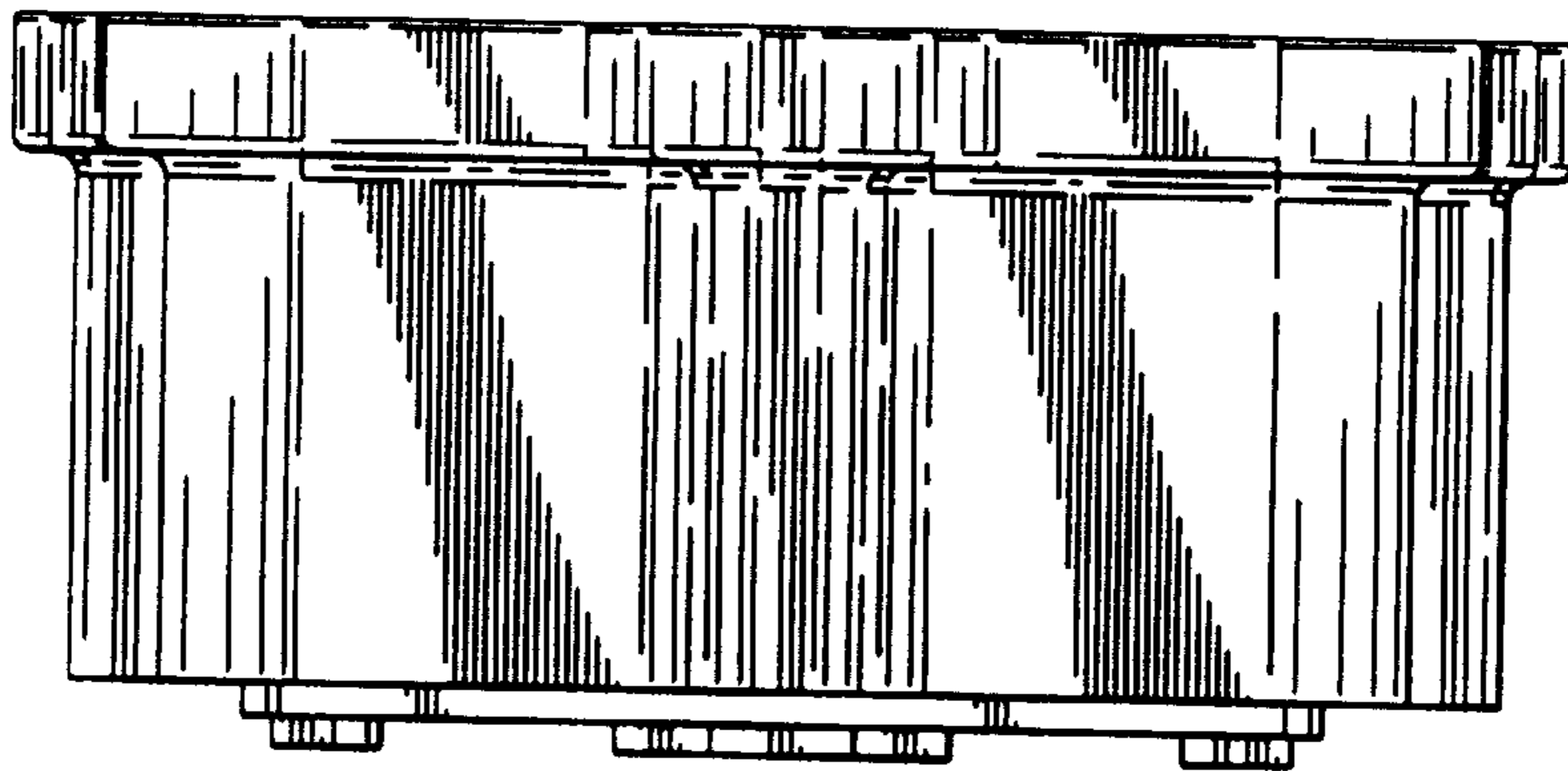


FIG 4

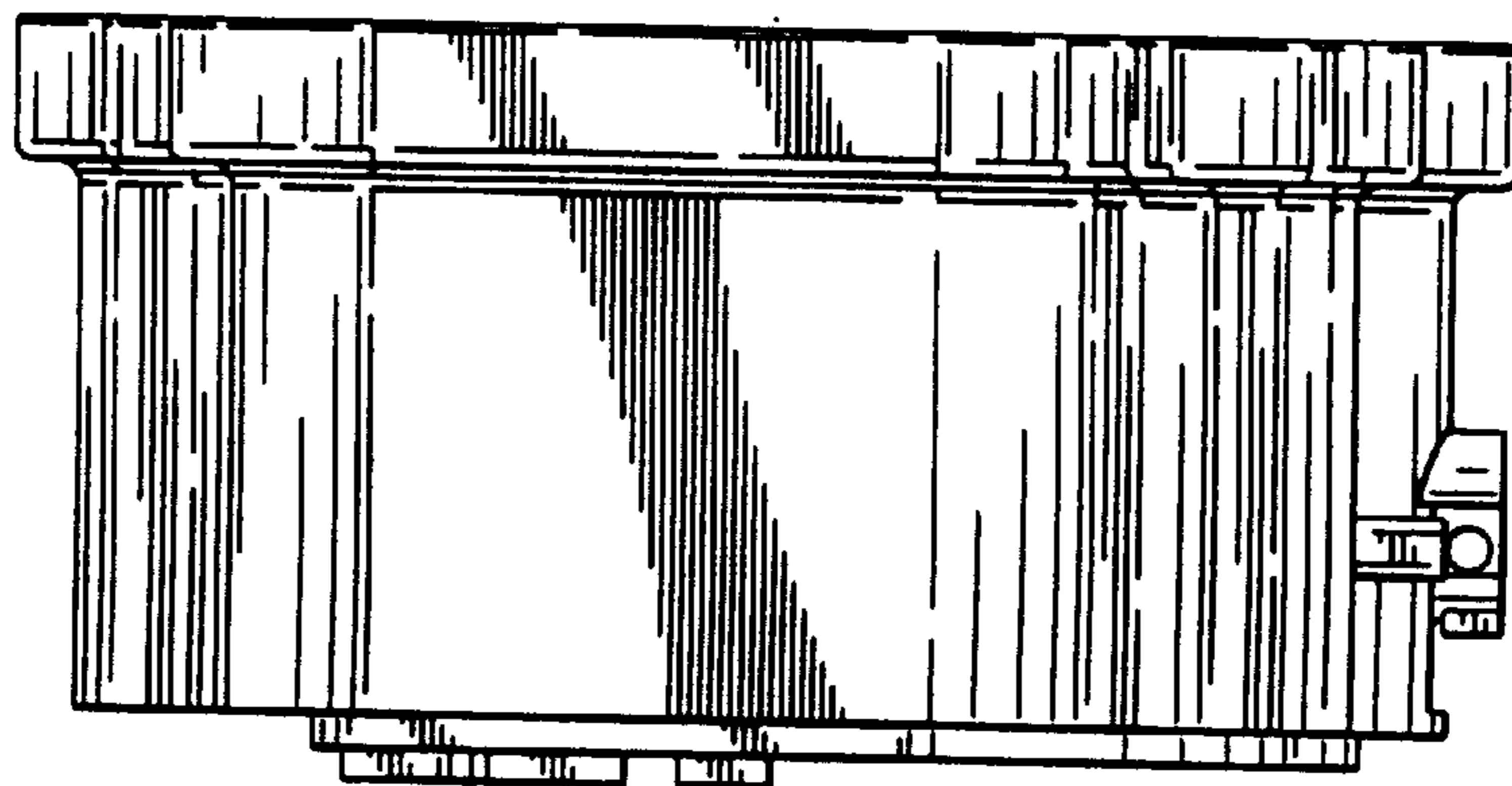


FIG 5

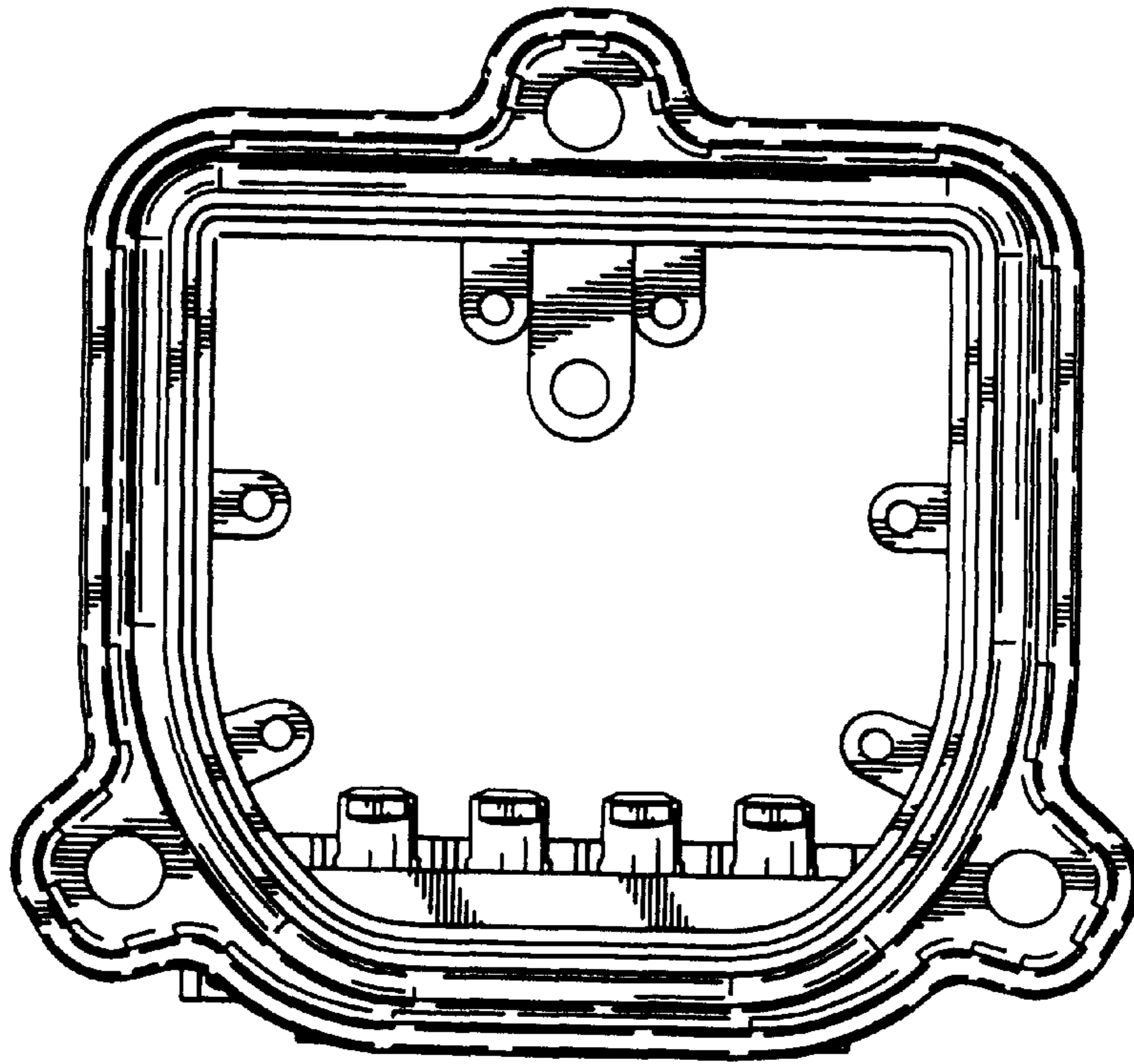


FIG 6

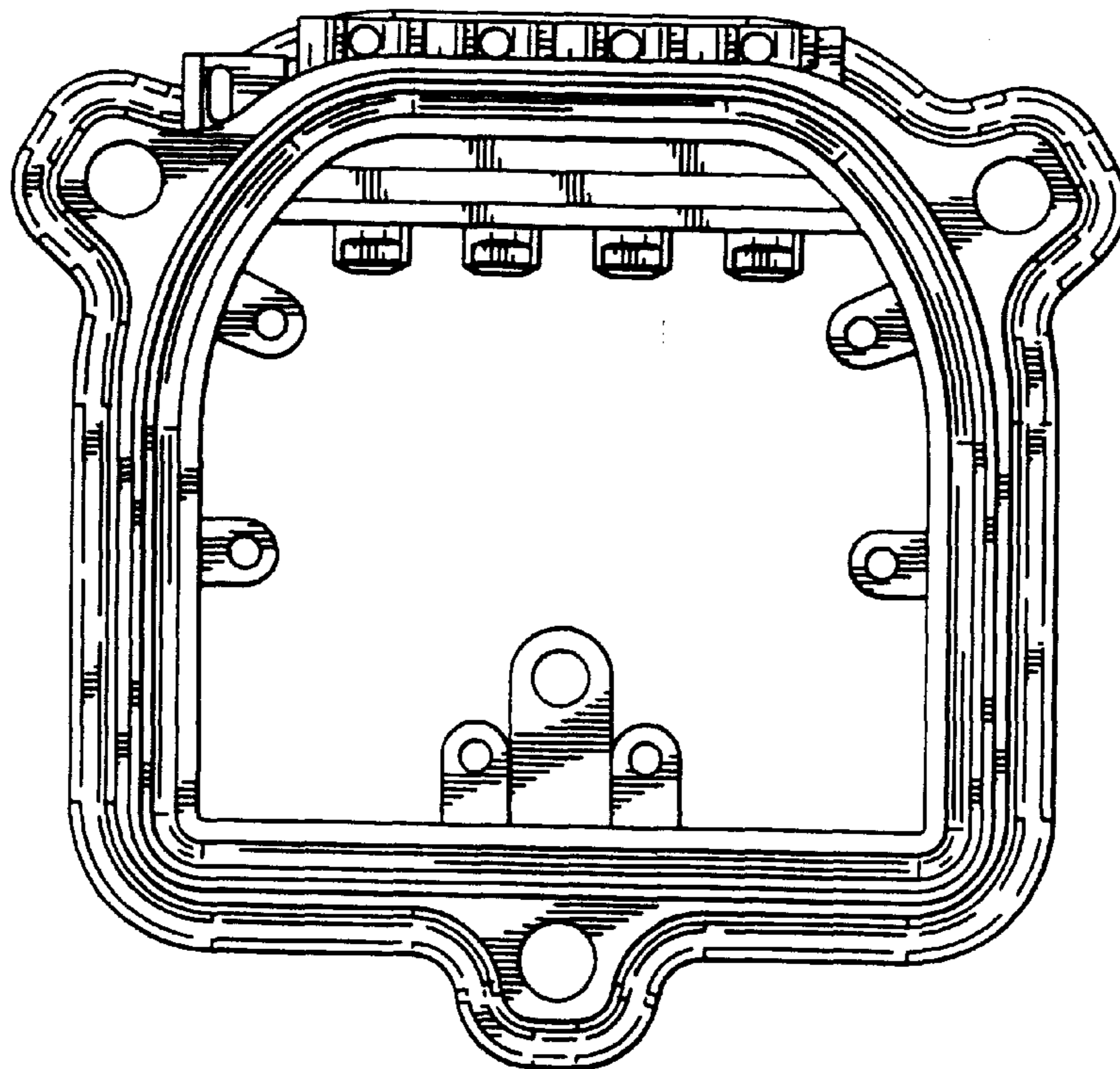


FIG 7