



US00D462327S

(12) **United States Design Patent**
Montena

(10) **Patent No.:** **US D462,327 S**

(45) **Date of Patent:** **** Sep. 3, 2002**

(54) **CO-AXIAL CABLE CONNECTOR**

(75) **Inventor:** **Noah Montena**, Syracuse, NY (US)

(73) **Assignee:** **John Mezzalingua Associates, Inc.**,
East Syracuse, NY (US)

(**) **Term:** **14 Years**

(21) **Appl. No.:** **29/148,899**

(22) **Filed:** **Sep. 28, 2001**

(51) **LOC (7) Cl.** **13-03**

(52) **U.S. Cl.** **D13/151; D13/133**

(58) **Field of Search** **D13/133, 151,**
D13/154; 439/578, 583, 584, 585; 174/75 C

(56) **References Cited**

U.S. PATENT DOCUMENTS

2,258,737 A	10/1941	Browne	
3,184,706 A	5/1965	Atkins	
3,275,913 A	9/1966	Blanchard	
3,355,698 A	11/1967	Keller	
3,406,373 A	10/1968	Forney	
3,498,647 A	3/1970	Schroder	
3,629,792 A	12/1971	Dorrell	
3,671,922 A	6/1972	Zerlin	
3,686,623 A *	8/1972	Nijman 439/584
3,710,005 A	1/1973	French	
3,845,453 A	10/1974	Hemmer	
3,845,454 A *	10/1974	Hayward et al. D13/133 X
3,847,463 A *	11/1974	Hayward et al. 439/578 X
3,879,102 A *	4/1975	Horak 439/89
3,915,539 A	10/1975	Collins	
3,936,132 A	2/1976	Hutter	
3,985,418 A	10/1976	Spinner	
4,046,451 A	9/1977	Juds	
4,053,200 A	10/1977	Pugner	
4,059,330 A	11/1977	Shirey	
4,126,372 A	11/1978	Hashimoto	
4,168,921 A	9/1979	Blanchard	
4,227,765 A	10/1980	Neumann	
4,280,749 A	7/1981	Hemmer	
4,339,166 A	7/1982	Dayton	
4,346,958 A	8/1982	Blanchard	
4,373,767 A	2/1983	Cairns	

4,400,050 A	8/1983	Hayward
4,408,822 A	10/1983	Nikitas
4,444,453 A	4/1984	Kirby
4,484,792 A	11/1984	Tengler
4,533,191 A	8/1985	Blackwood
4,545,637 A	10/1985	Bosshard
4,575,274 A	3/1986	Hayward
4,583,811 A	4/1986	McMills
4,596,435 A	6/1986	Bickford
4,600,263 A	7/1986	DeChamp
4,614,390 A	9/1986	Baker
4,645,281 A	2/1987	Burger
4,650,228 A	3/1987	McMills
4,655,159 A	4/1987	McMills
4,660,921 A	4/1987	Hauver
4,668,043 A	5/1987	Saba
4,674,818 A	6/1987	McMills
4,676,577 A	6/1987	Szegda
4,691,976 A	9/1987	Cowen
4,738,009 A	4/1988	Down
4,746,305 A	5/1988	Nomura
4,747,786 A	5/1988	Hayashi
4,755,152 A	7/1988	Elliot
4,806,116 A	2/1989	Ackerman
4,813,886 A	3/1989	Roos
4,834,675 A	5/1989	Samchisen

(List continued on next page.)

Primary Examiner—Joel Sincavage

(74) *Attorney, Agent, or Firm*—George R. McGuire;
Hancock & Estabrook, LLP

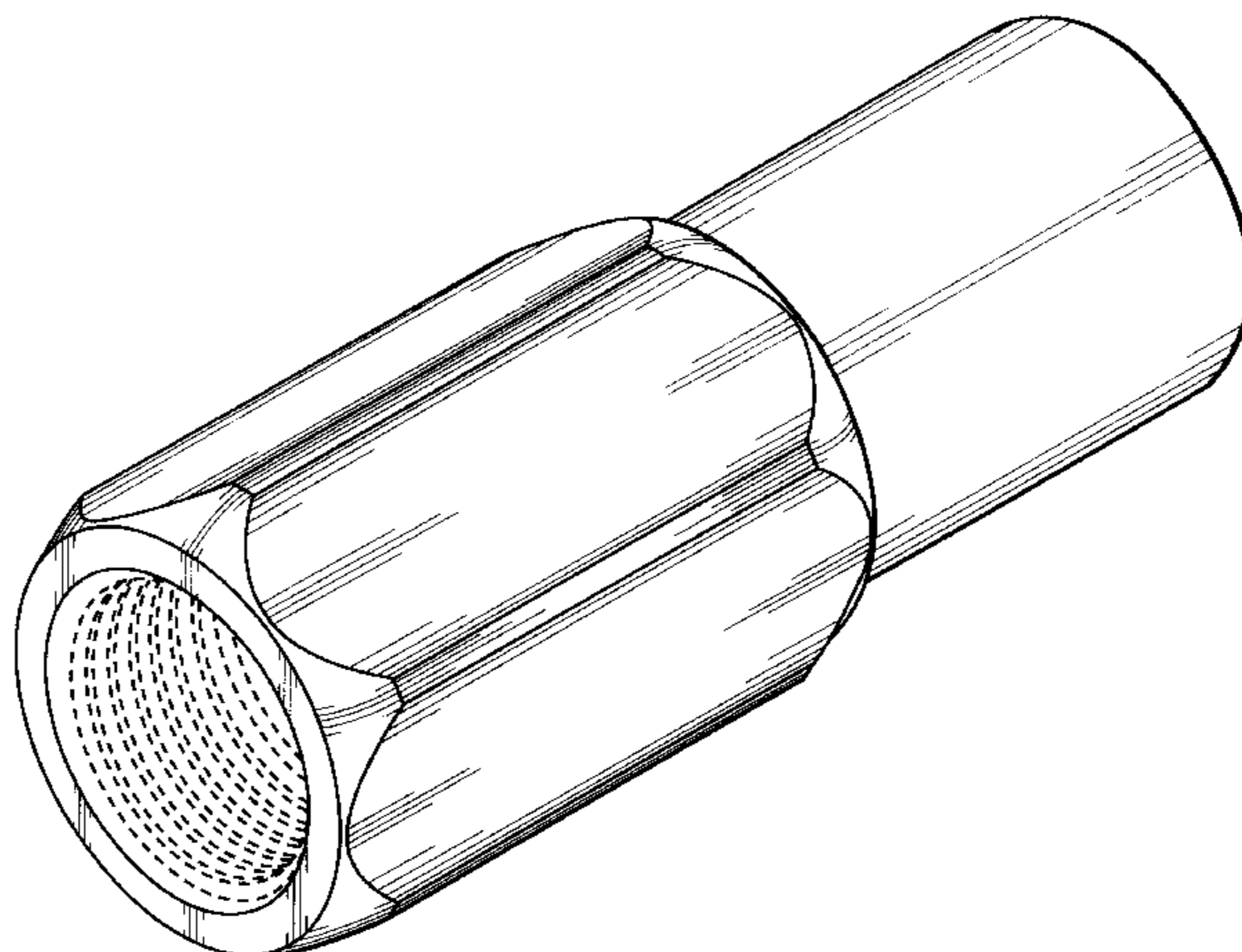
(57) **CLAIM**

The ornamental design for a co-axial cable connector, as shown and described.

DESCRIPTION

FIG. 1 is a perspective view of a new and ornamental design for a co-axial cable connector, the internal details thereof being illustrated in phantom for environmental purposes only and form no part of the claimed design;
FIG. 2 is a side elevational view thereof;
FIG. 3 is a nut end view thereof; and,
FIG. 4 is a cable end view thereof.

1 Claim, 3 Drawing Sheets



US D462,327 S

Page 2

U.S. PATENT DOCUMENTS

4,854,893 A	8/1989	Morris	5,316,494 A	5/1994	Flanagan	
4,857,014 A	8/1989	Alf	5,342,218 A	8/1994	McMills	
4,869,679 A	9/1989	Szegda	5,352,134 A	* 10/1994	Jacobsen et al.	439/584
4,902,246 A	2/1990	Samchisen	5,371,819 A	12/1994	Szegda	
4,906,207 A	3/1990	Banning	5,371,821 A	12/1994	Szegda	
4,923,412 A	5/1990	Morris	5,371,827 A	12/1994	Szegda	
4,925,403 A	5/1990	Zorzy	5,393,244 A	2/1995	Szegda	
4,929,188 A	5/1990	Lionetto	5,431,583 A	7/1995	Szegda	
4,990,104 A	2/1991	Schieferly	5,444,810 A	8/1995	Szegda	
4,990,105 A	2/1991	Karlovich	5,455,548 A	10/1995	Grandchamp	
4,990,106 A	2/1991	Szegda	5,456,611 A	10/1995	Henry	
5,002,503 A	3/1991	Campbell	5,456,614 A	10/1995	Szegda	
5,021,010 A	6/1991	Wright	5,466,173 A	11/1995	Down	
5,024,606 A	6/1991	Ming-Hwa	5,470,257 A	11/1995	Szegda	
5,037,328 A	8/1991	Karlovich	5,494,454 A	2/1996	Johnsen	
5,062,804 A	11/1991	Jamet	5,501,616 A	3/1996	Holliday	
5,066,248 A	11/1991	Gaver, Jr.	5,525,076 A	6/1996	Down	
5,073,129 A	12/1991	Szegda	5,542,861 A	8/1996	Anhalt	
5,083,943 A	1/1992	Tarrant	5,548,088 A	8/1996	Gray	
5,127,853 A	7/1992	McMills	5,598,132 A	1/1997	Stabile	
5,131,862 A	7/1992	Gershfeld	5,651,698 A	* 7/1997	Locati et al.	439/578
5,141,451 A	8/1992	Down	5,651,699 A	7/1997	Holliday	
5,181,161 A	1/1993	Hirose	5,667,405 A	9/1997	Holliday	
5,195,906 A	3/1993	Szegda	5,975,951 A	11/1999	Burris	
5,205,761 A	4/1993	Nilsson	5,997,350 A	12/1999	Burris	
5,207,602 A	5/1993	McMills	6,032,359 A	3/2000	Wild	
5,217,391 A	6/1993	Fisher, Jr.	6,034,325 A	* 3/2000	Nattel et al.	439/584 X
5,217,393 A	6/1993	Del Negro	6,102,737 A	8/2000	Gohdes	
5,269,701 A	12/1993	Leibfried	D440,939 S	4/2001	Montena	
5,283,853 A	2/1994	Szegda	6,309,251 B1	* 10/2001	Tang	439/584
5,295,864 A	3/1994	Birch				

* cited by examiner

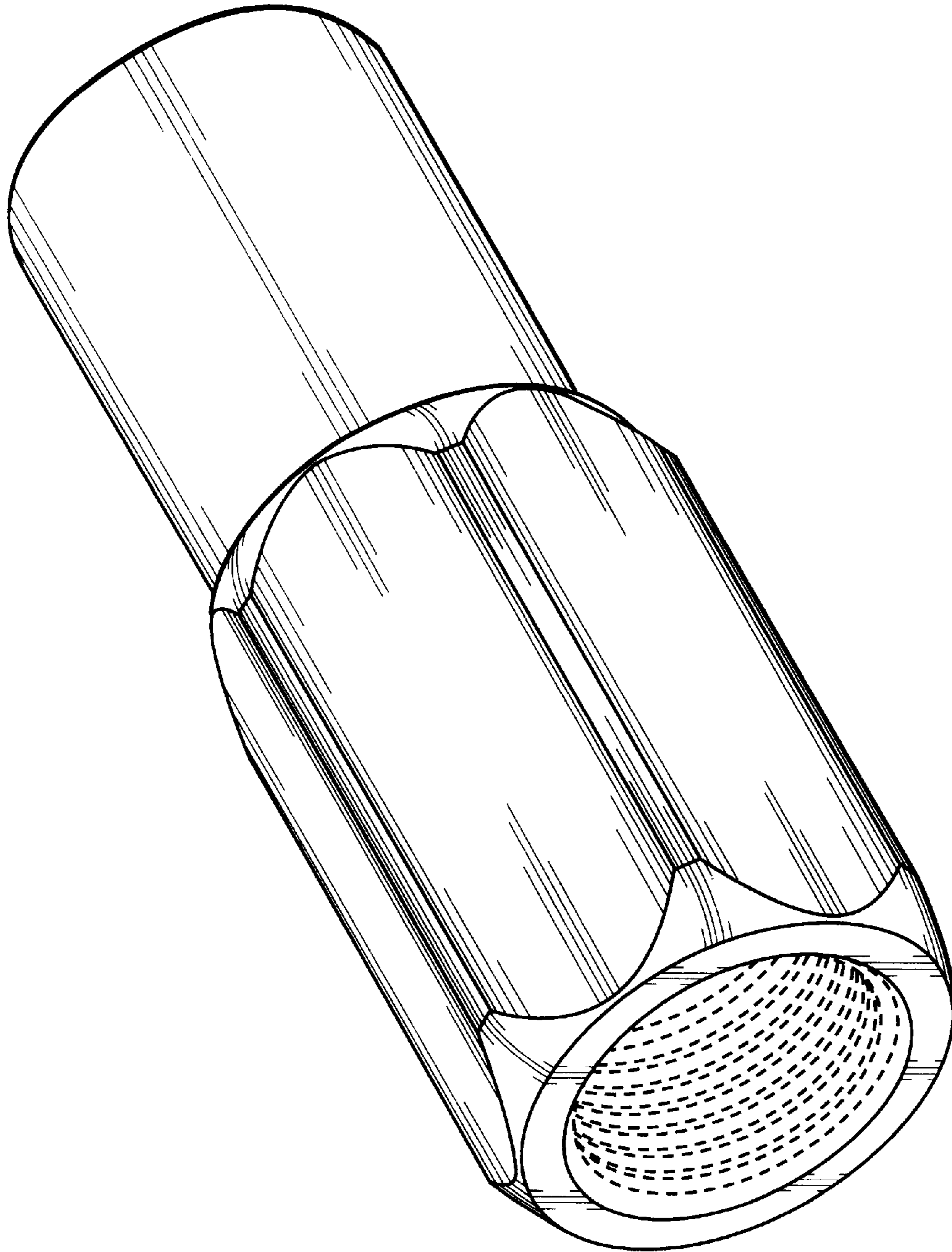


FIG. 1

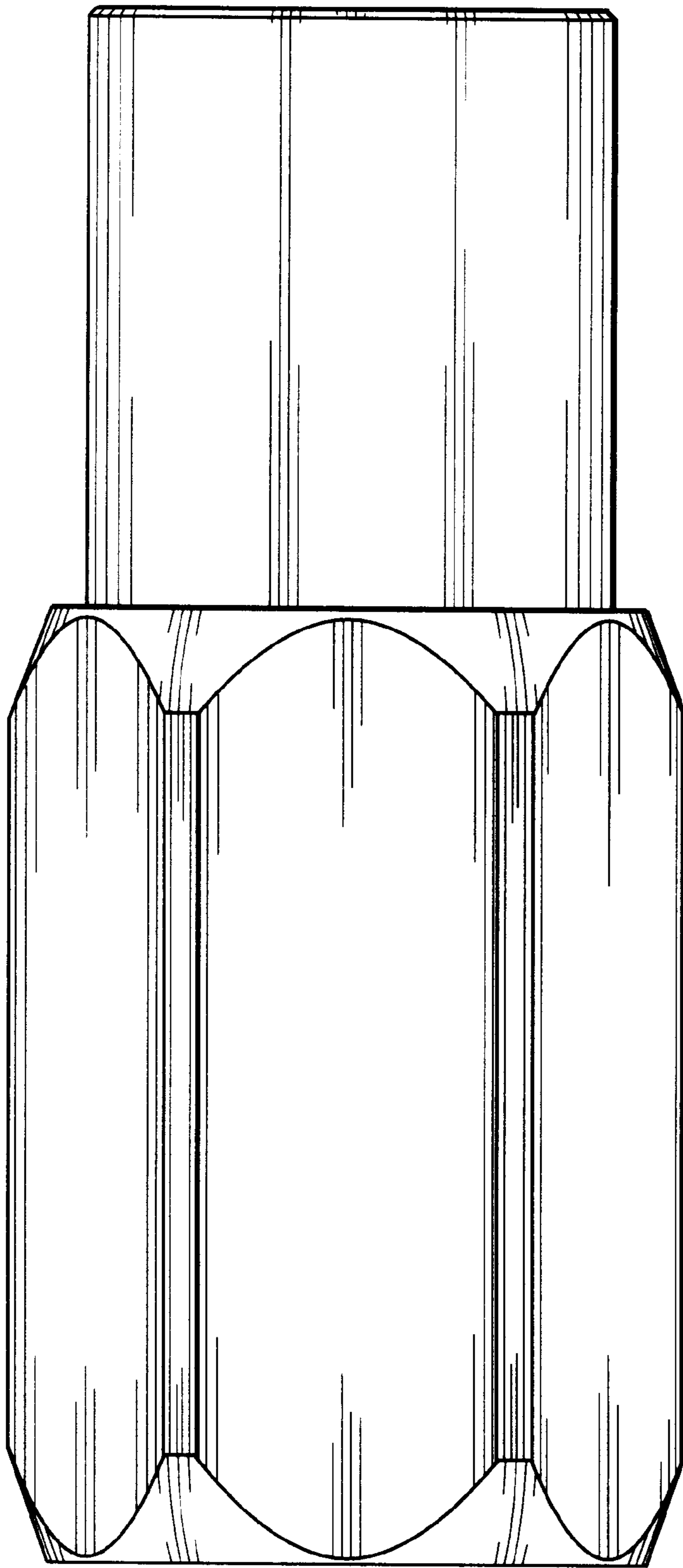


FIG. 2

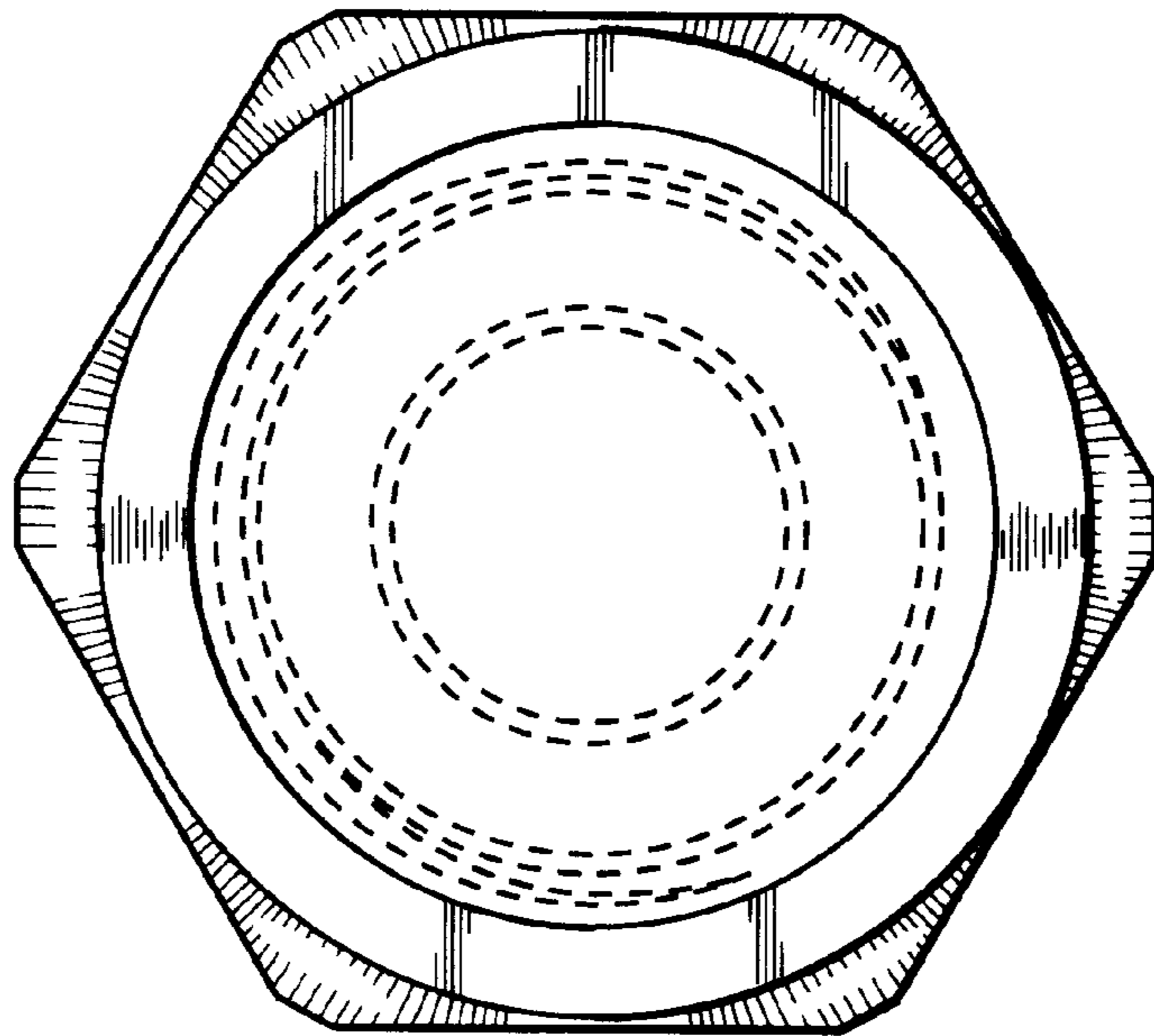


FIG. 3

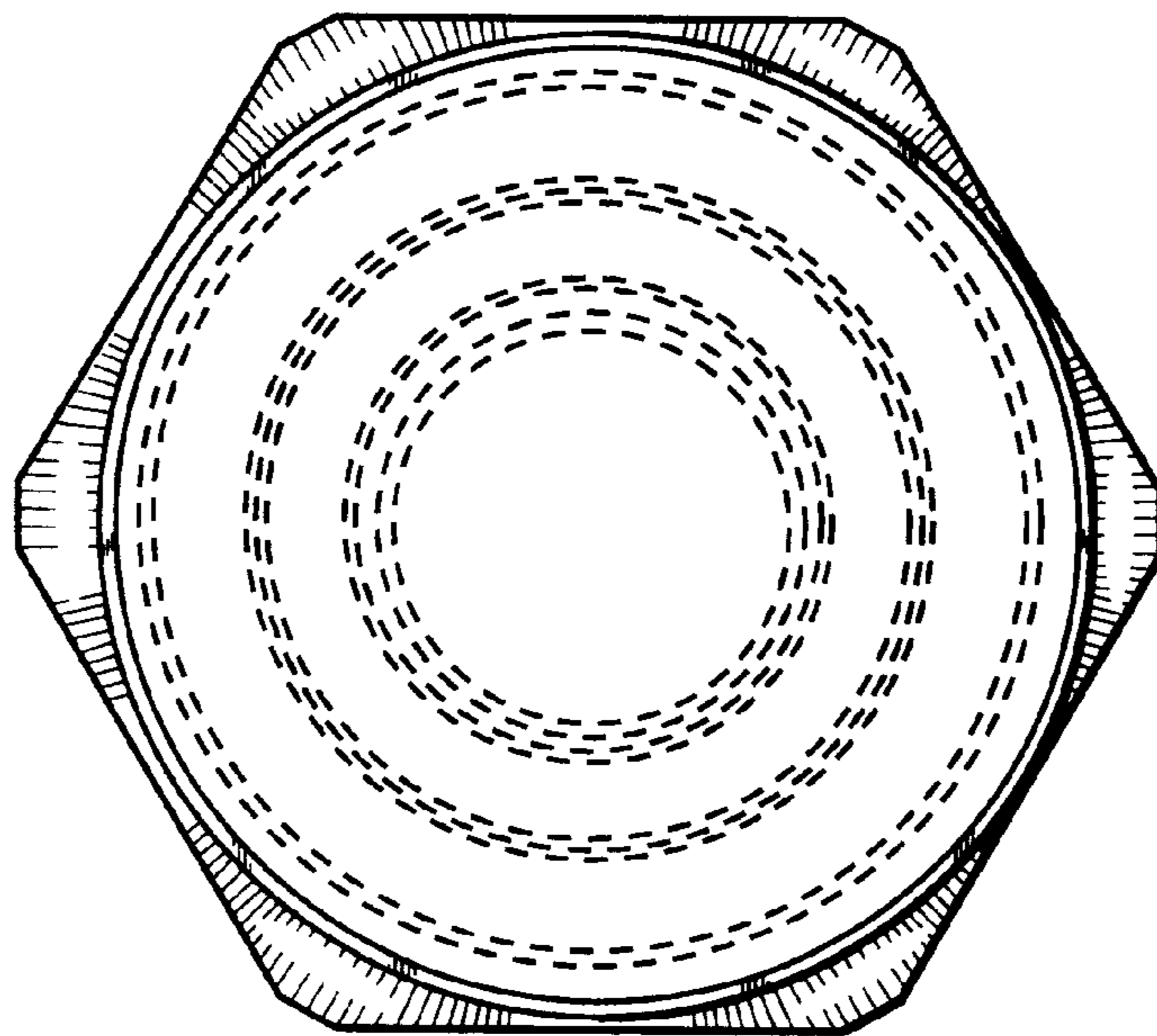


FIG. 4