



US00D462325S

(12) **United States Design Patent**
Nakatomi

(10) **Patent No.:** **US D462,325 S**

(45) **Date of Patent:** **** Sep. 3, 2002**

(54) **ELECTRICAL CONNECTOR**

(75) Inventor: **Yuko Nakatomi, Akishima (JP)**

(73) Assignee: **Japan Aviation Electronics Industry, Limited, Tokyo (JP)**

(**) Term: **14 Years**

(21) Appl. No.: **29/142,315**

(22) Filed: **May 23, 2001**

(30) **Foreign Application Priority Data**

Nov. 30, 2000 (JP) 2000-037983

(51) **LOC (7) Cl.** **13-03**

(52) **U.S. Cl.** **D13/147**

(58) **Field of Search** D13/147, 154;
439/357, 358, 610

(56) **References Cited**

U.S. PATENT DOCUMENTS

- 5,197,901 A * 3/1993 Hashiguchi 439/357 X
- D376,581 S * 12/1996 Suzuki D13/147
- D409,148 S * 5/1999 Yotsutani et al. D13/147
- D409,982 S * 5/1999 Sato et al. D13/147

- 5,941,726 A * 8/1999 Koegel et al. 439/358
- D415,108 S * 10/1999 Arai D13/147
- D416,230 S * 11/1999 Narumo et al. D13/147
- D416,540 S * 11/1999 Sato et al. D13/147
- D422,267 S * 4/2000 Richards D13/154
- 6,081,594 A * 6/2000 Tseng 379/420
- 6,099,339 A * 8/2000 Yanagida et al. 439/358

* cited by examiner

Primary Examiner—Joel Sincavage

(74) *Attorney, Agent, or Firm*—Michael Best & Friedrich LLC; J. Warren Whitesel

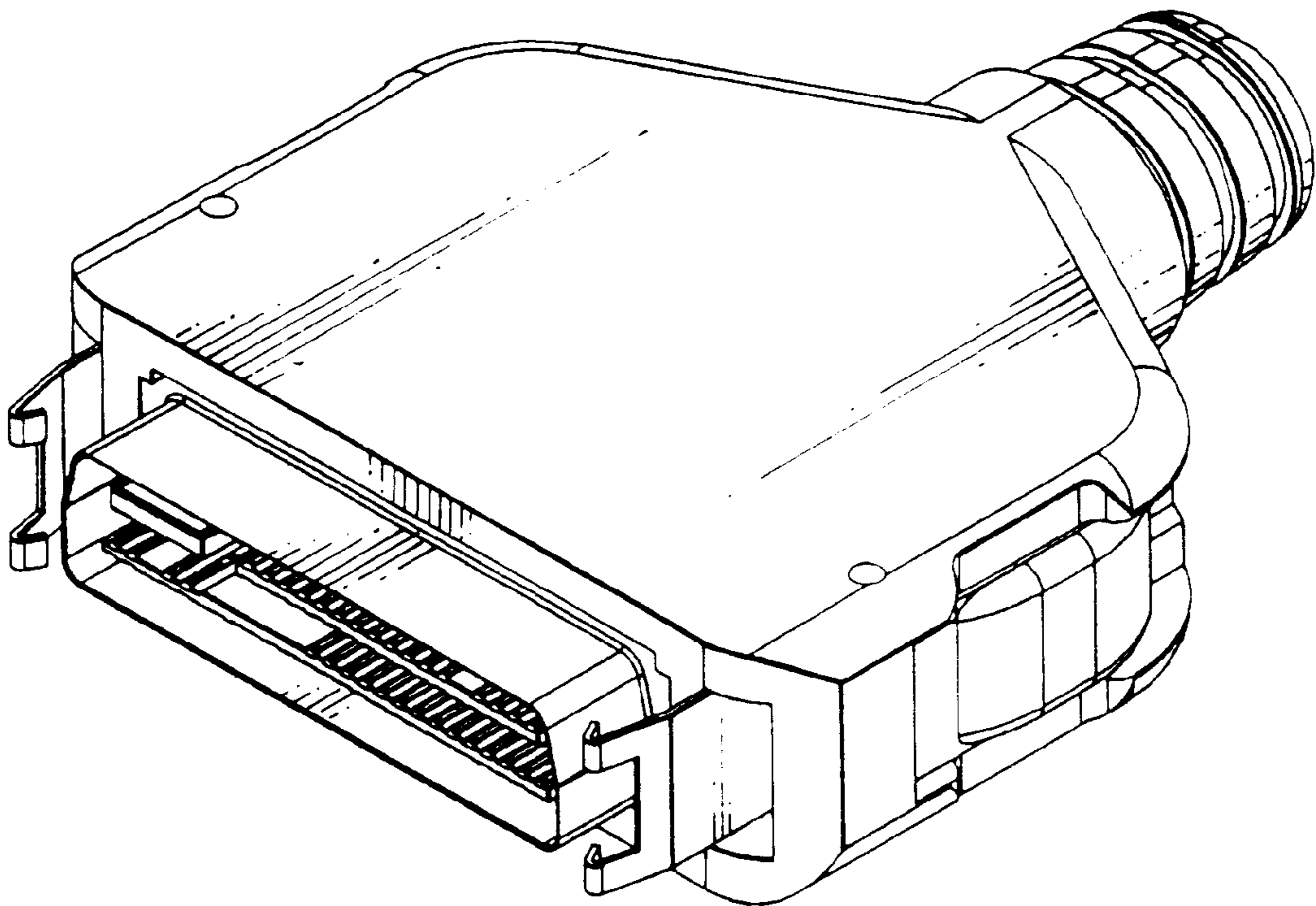
(57) **CLAIM**

The ornamental design for an electrical connector, as shown and described.

DESCRIPTION

FIG. 1 is a front elevational view of an electrical connector; FIG. 2 is a rear elevational view thereof; FIG. 3 is a left side elevational view thereof; FIG. 4 is a right side elevational view thereof; FIG. 5 is a top plan view thereof; FIG. 6 is a bottom plan view thereof; and, FIG. 7 is a front, top, and right side perspective view thereof.

1 Claim, 3 Drawing Sheets



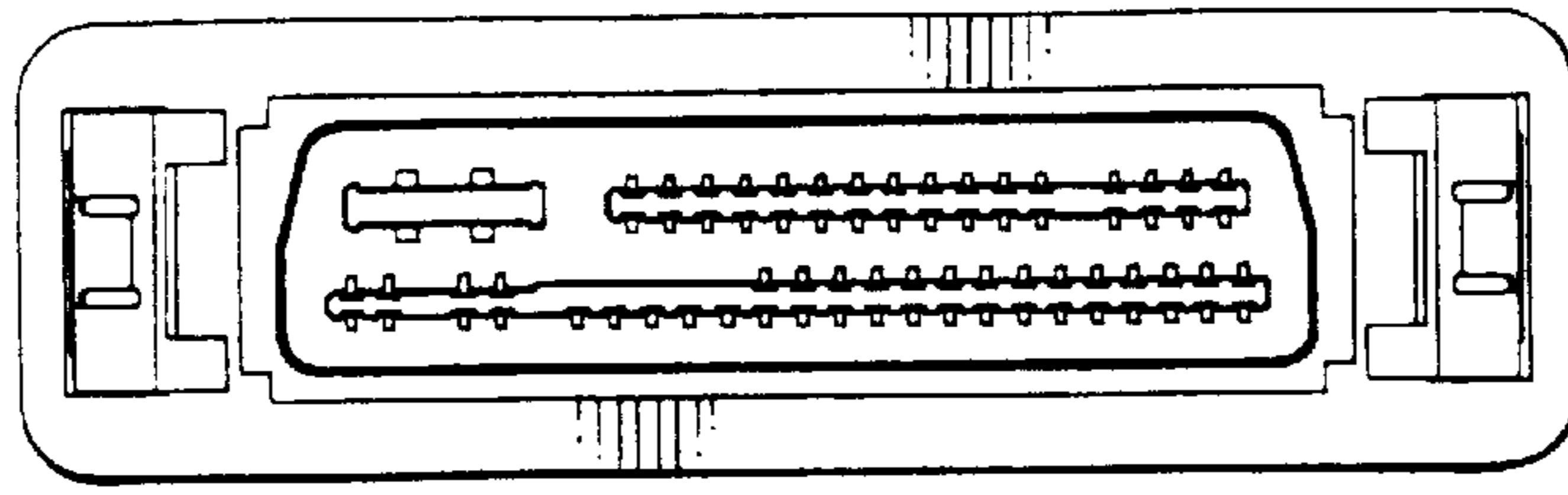


FIG. 1

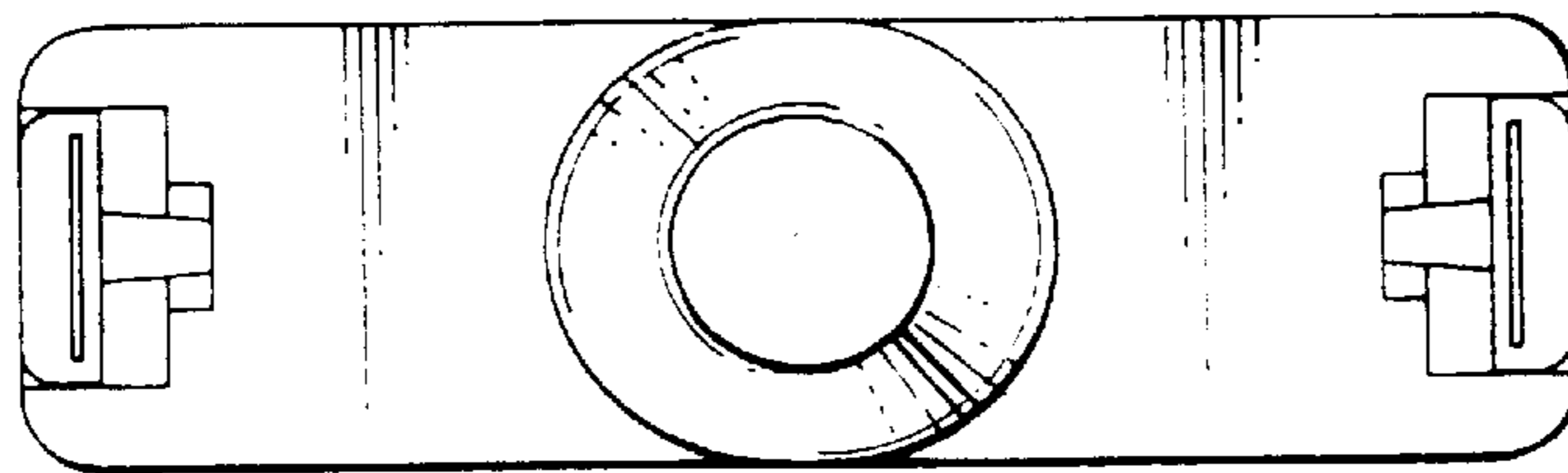


FIG. 2

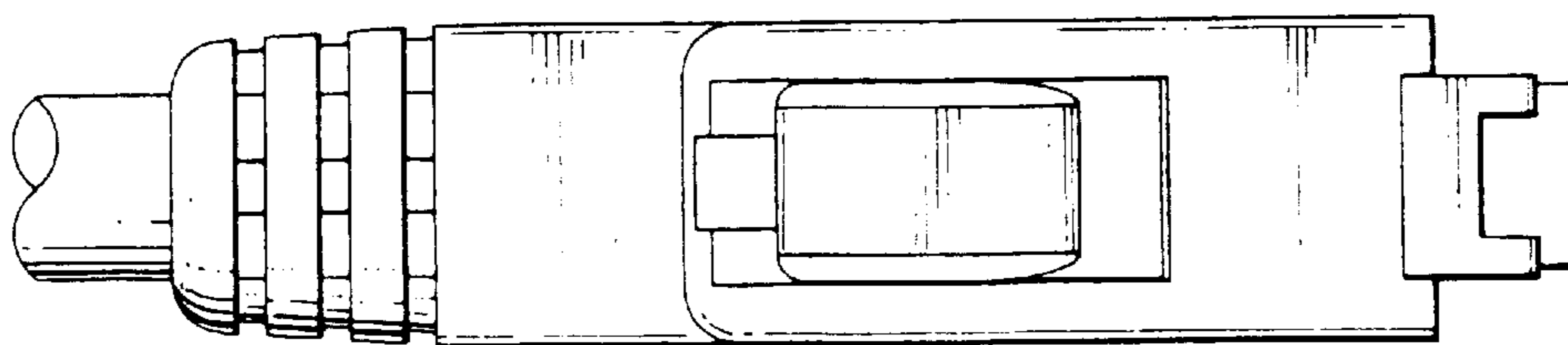


FIG. 3

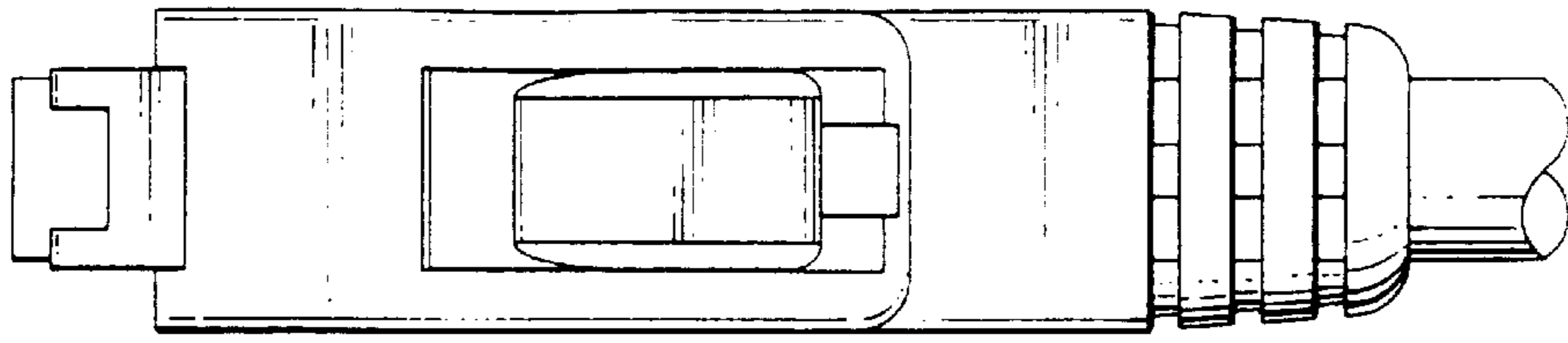


FIG. 4

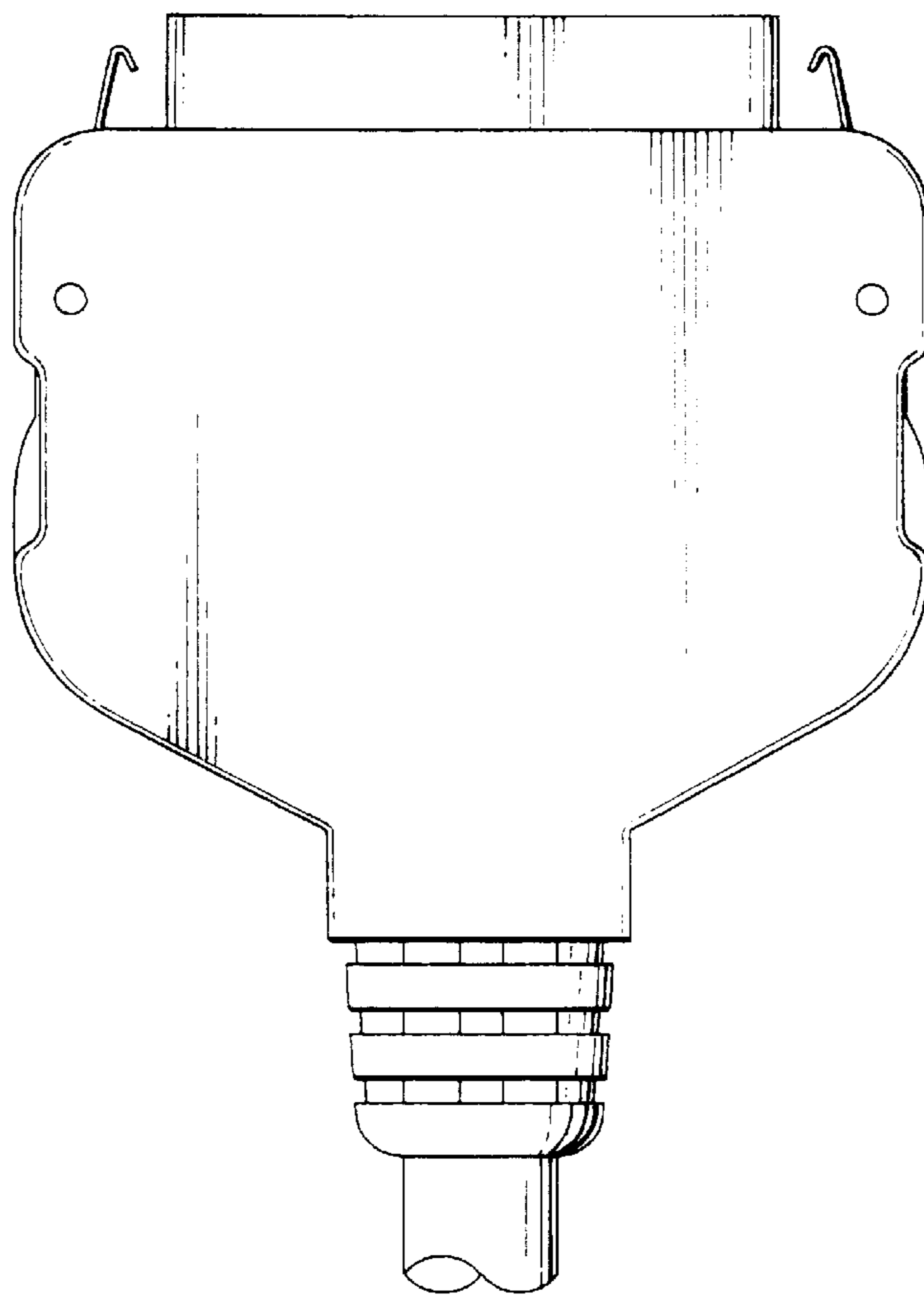


FIG. 5

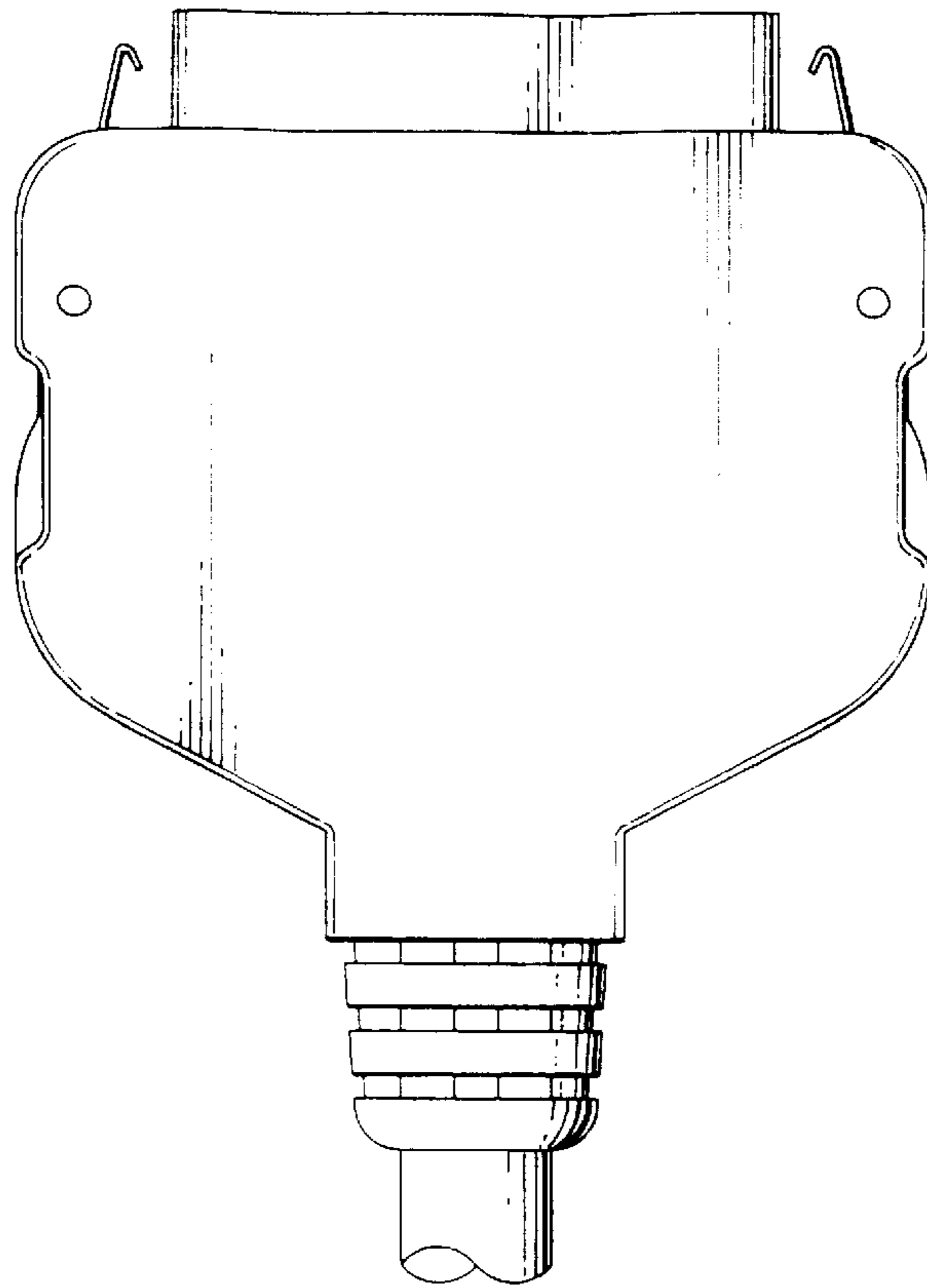


FIG. 6

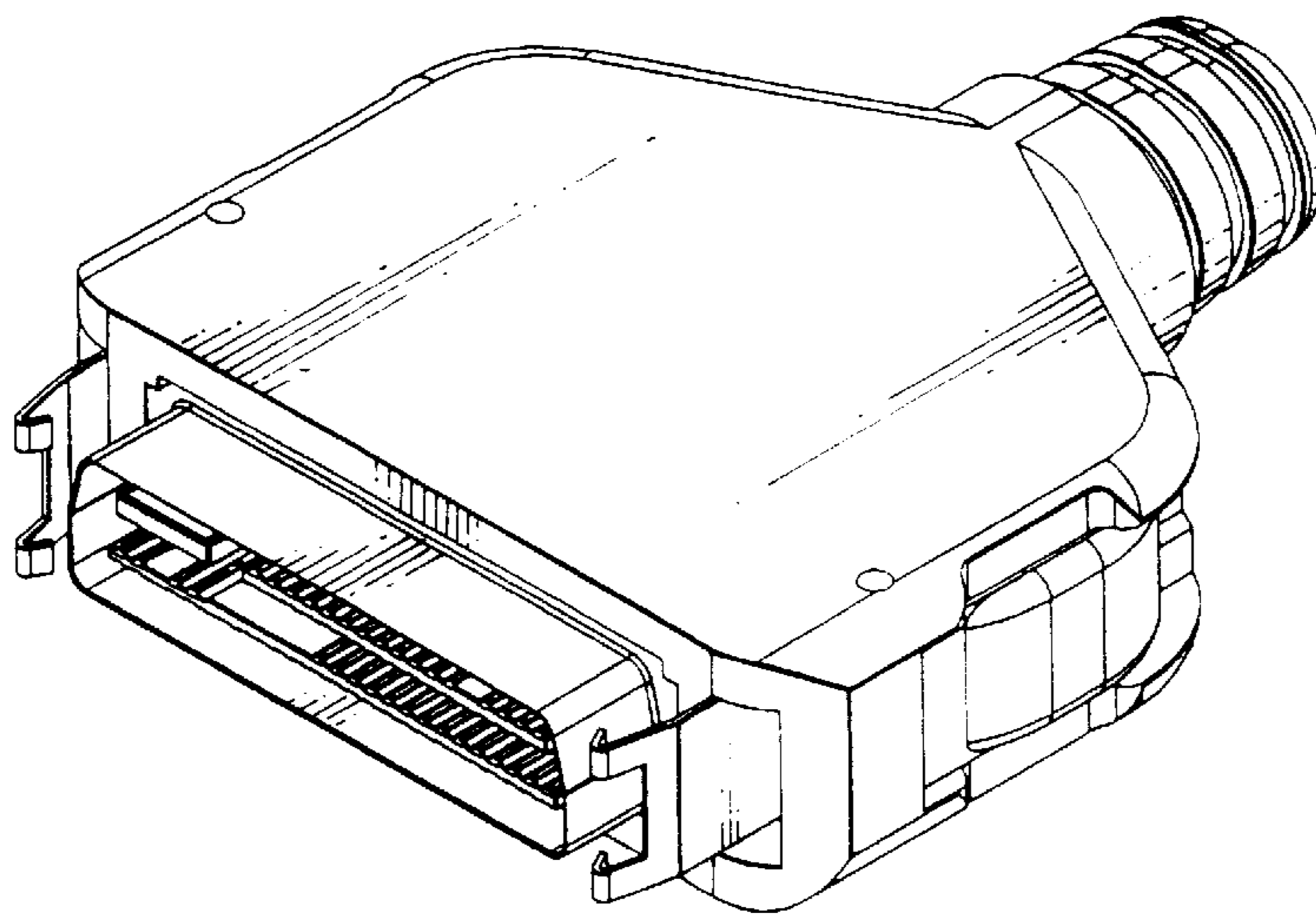


FIG. 7