



US00D462324S

(12) **United States Design Patent**
Feucht et al.

(10) **Patent No.:** **US D462,324 S**

(45) **Date of Patent:** **** Sep. 3, 2002**

(54) **ENCLOSURE FOR A SPEAKER CABLE CONNECTOR**

5,726,388 A * 3/1998 Ferland 174/72 C
6,127,903 A * 10/2000 Foley 333/181

(75) Inventors: **Christian C. Feucht**, Nevada City;
Kent Loughlin, Rocklin, both of CA
(US)

* cited by examiner

Primary Examiner—Joel Sincavage

(74) *Attorney, Agent, or Firm*—Sierra Patent Group, Ltd.

(73) Assignee: **Constant Velocity Transmission Lines, Inc.**, Rocklin, CA (US)

(57) **CLAIM**

(**) Term: **14 Years**

The ornamental design for an enclosure for a speaker cable connector, as shown and described.

(21) Appl. No.: **29/118,951**

DESCRIPTION

(22) Filed: **Feb. 17, 2000**

(51) **LOC (7) Cl.** **13-03**

(52) **U.S. Cl.** **D13/133**

(58) **Field of Search** D13/133, 184;
439/687, 696, 731, 717; 174/72 C, 84 R,
88 R

FIG. 1 is a perspective view of an enclosure for a speaker cable connector showing my new design in full lines with the broken lines showing environmental association matter being for illustrative purposes only and forming no part of my design;

FIG. 2 shows an end view thereof in full lines and environmental association matter in broken lines;

FIG. 3 is an end view thereof shown in full lines and environmental association matter in broken lines; and

FIG. 4 is a side view thereof shown in full lines and environmental association matter in broken lines with the opposite side being a mirror image thereof; and,

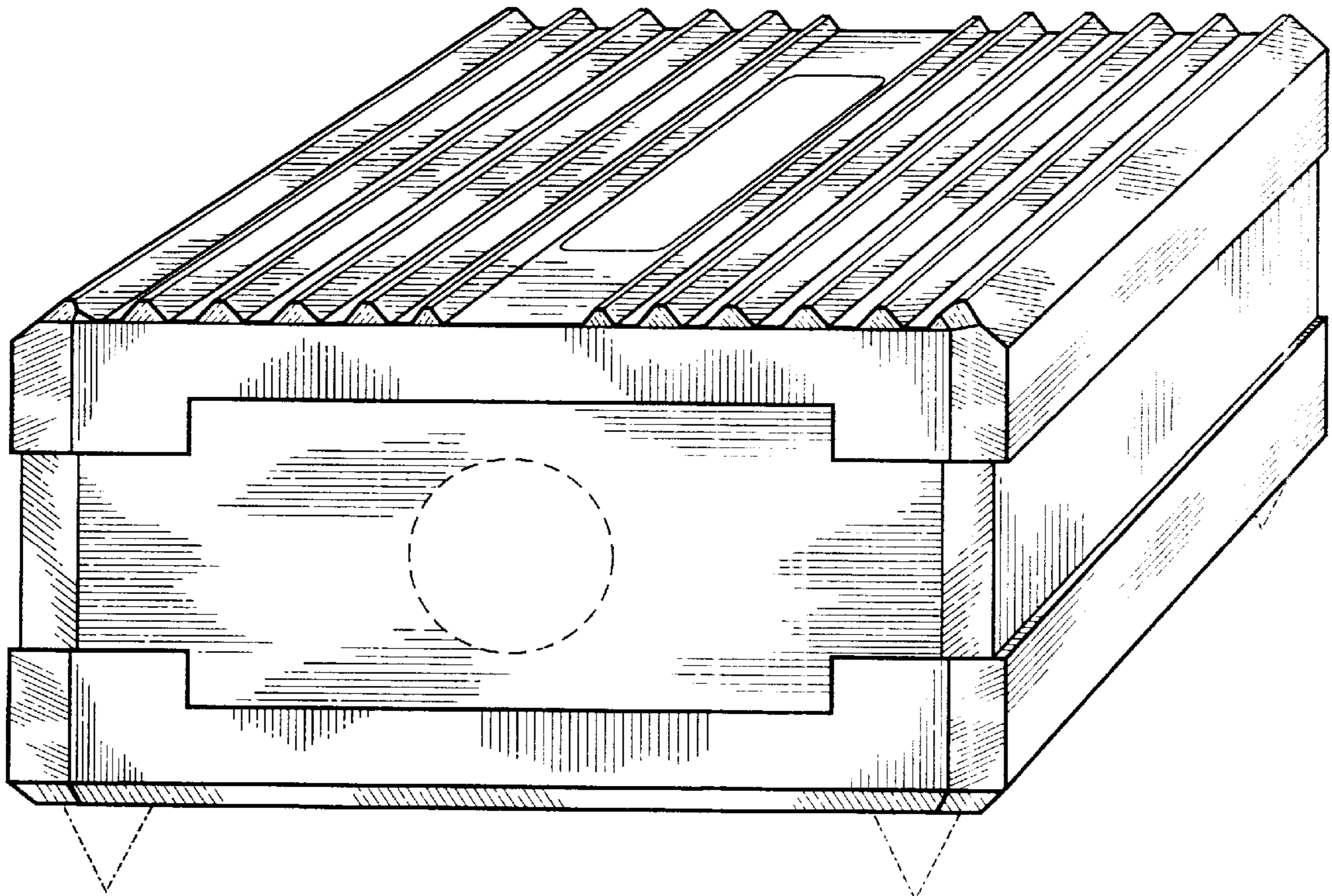
FIG. 5 is a top view thereof shown in full lines and environmental association matter in broken lines, with the bottom view thereof being plain and unornamented.

(56) **References Cited**

U.S. PATENT DOCUMENTS

- 1,111,271 A * 9/1914 Plesh 346/687
- D299,465 S * 1/1989 Helstab D14/114
- D299,651 S * 1/1989 Preussner D14/100
- 5,021,611 A * 6/1991 Amano 174/88 R
- 5,251,106 A * 10/1993 Hui 361/744
- D341,132 S * 11/1993 Hui D14/107
- D378,081 S * 2/1997 Antonczak et al. D13/184

1 Claim, 5 Drawing Sheets



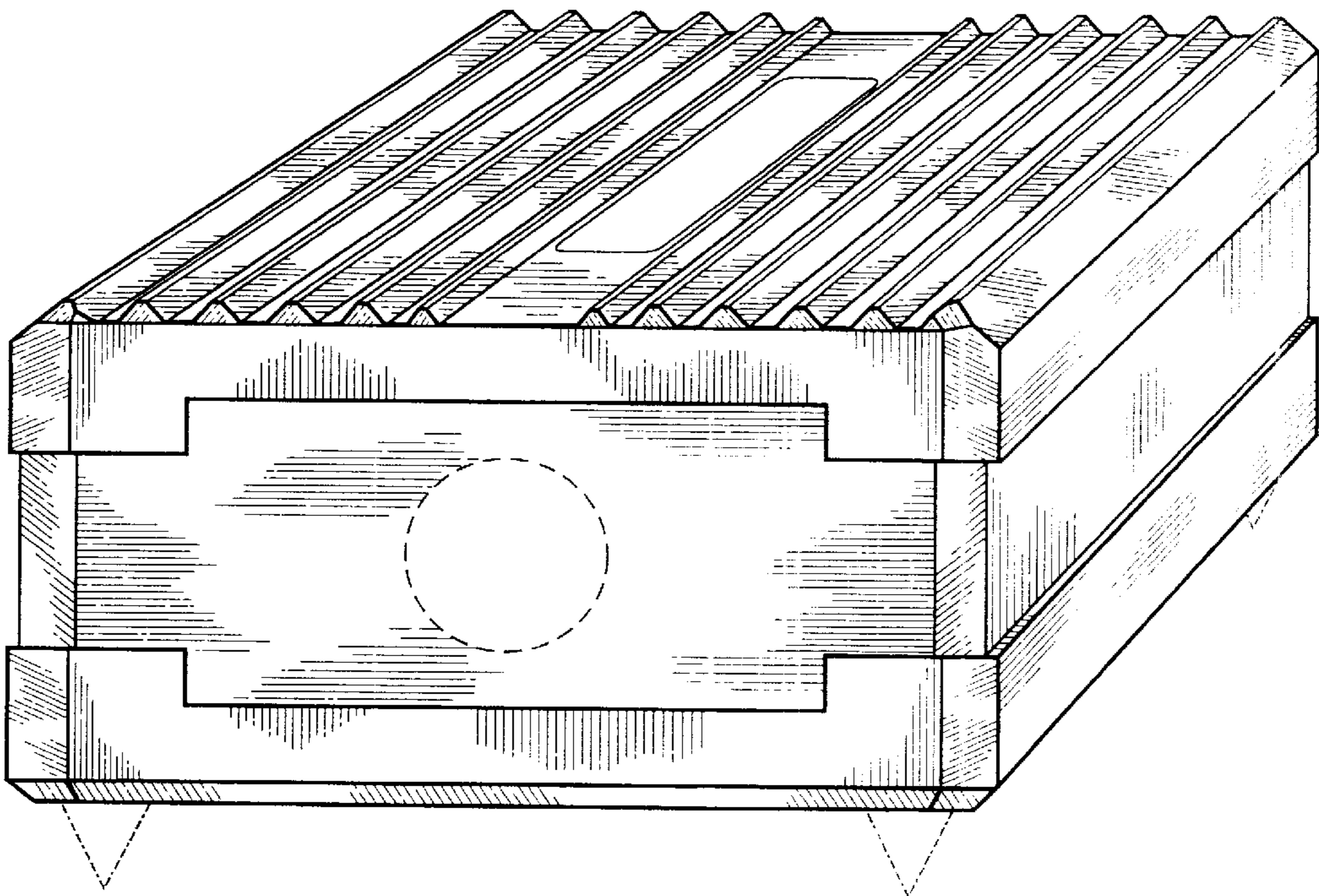


Fig. 1

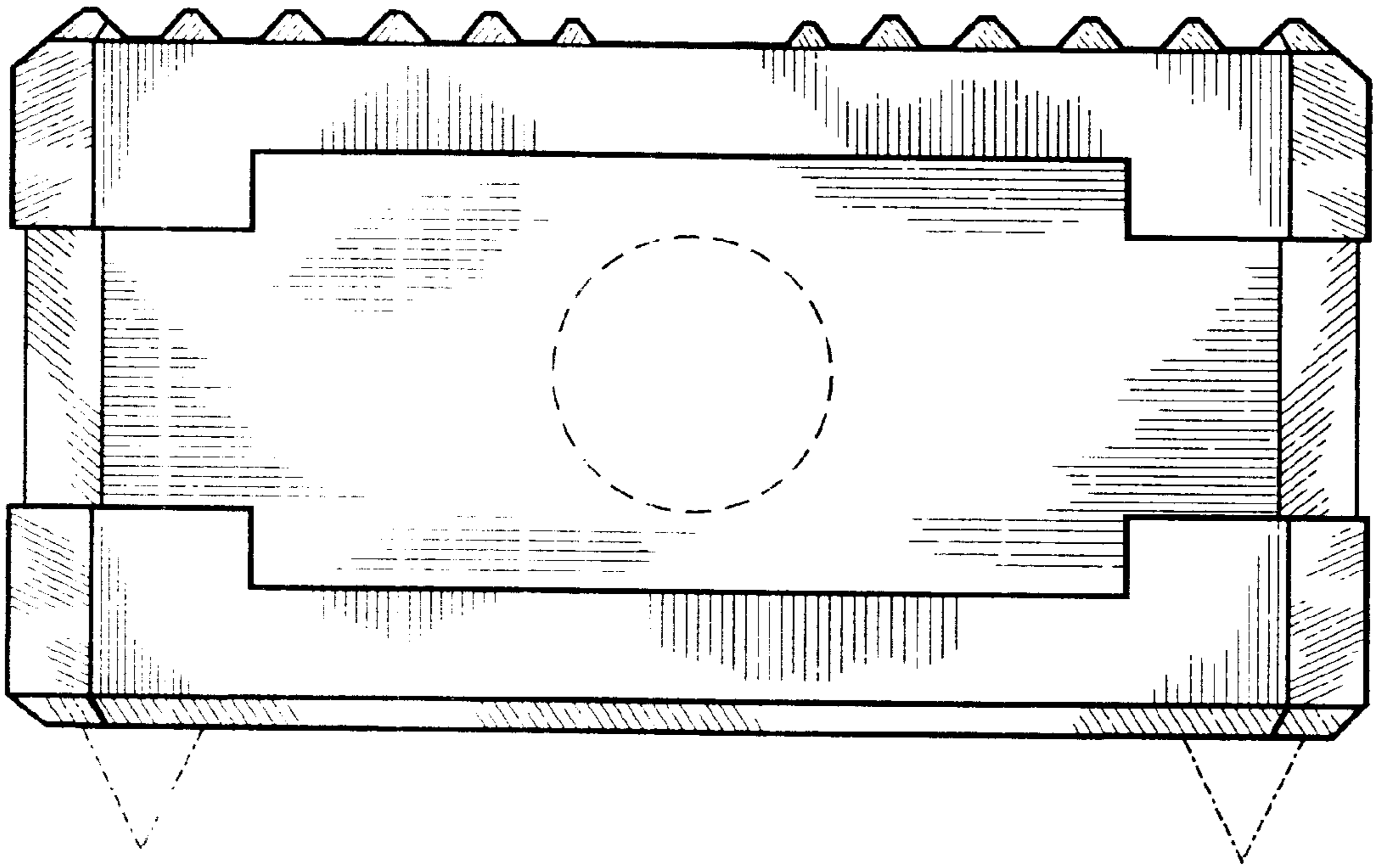


Fig. 2

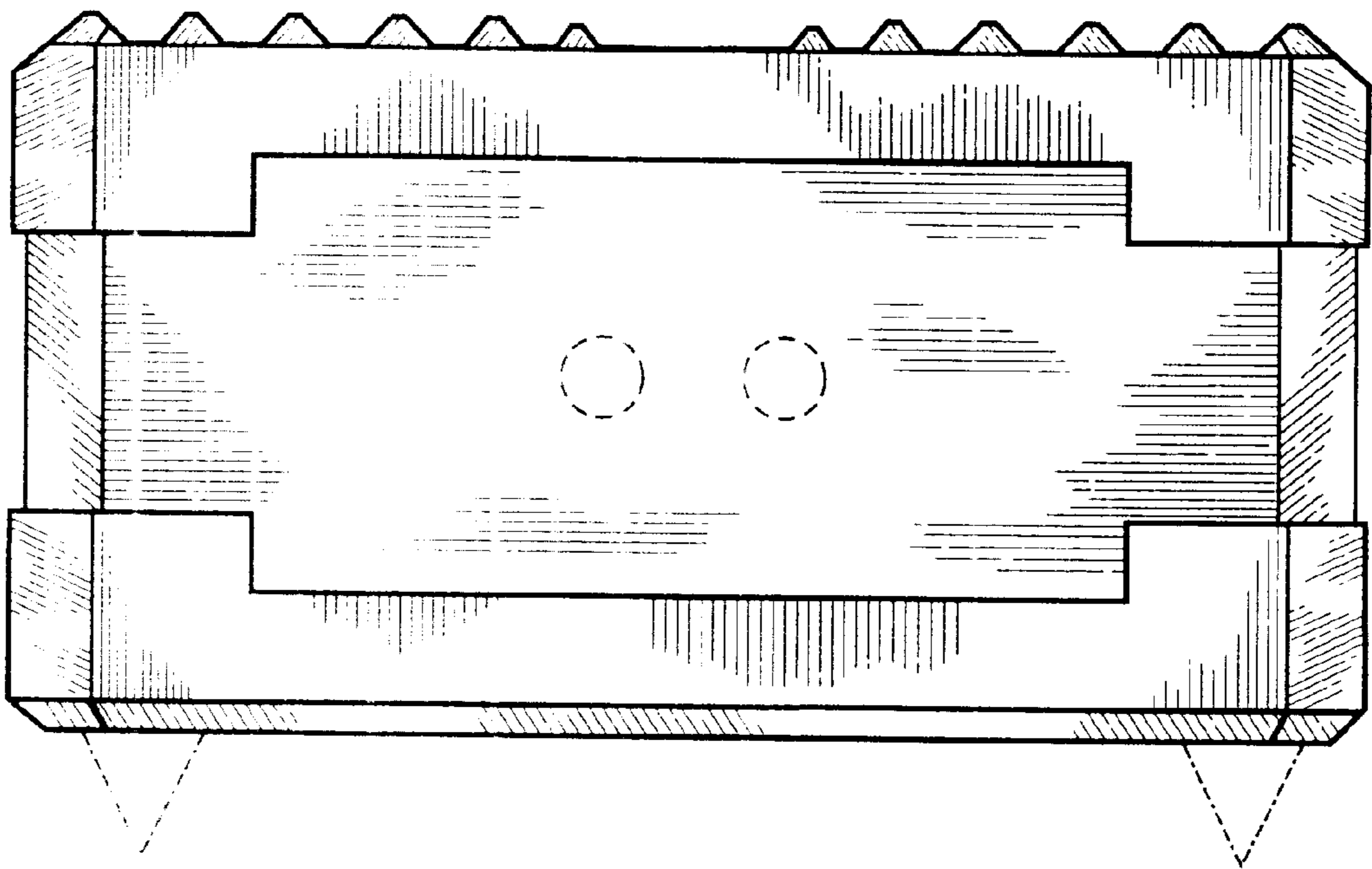


Fig. 3

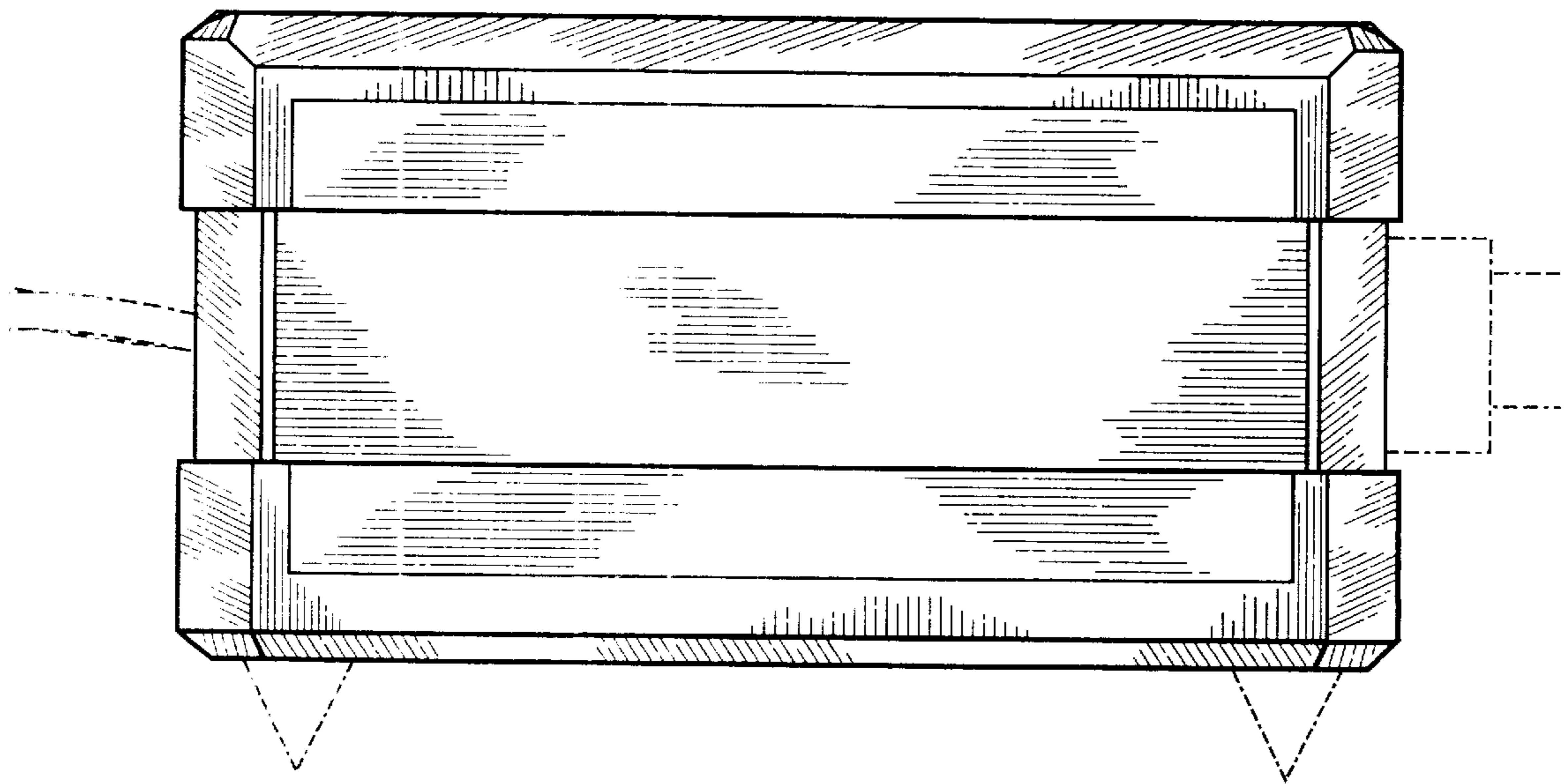


Fig. 4

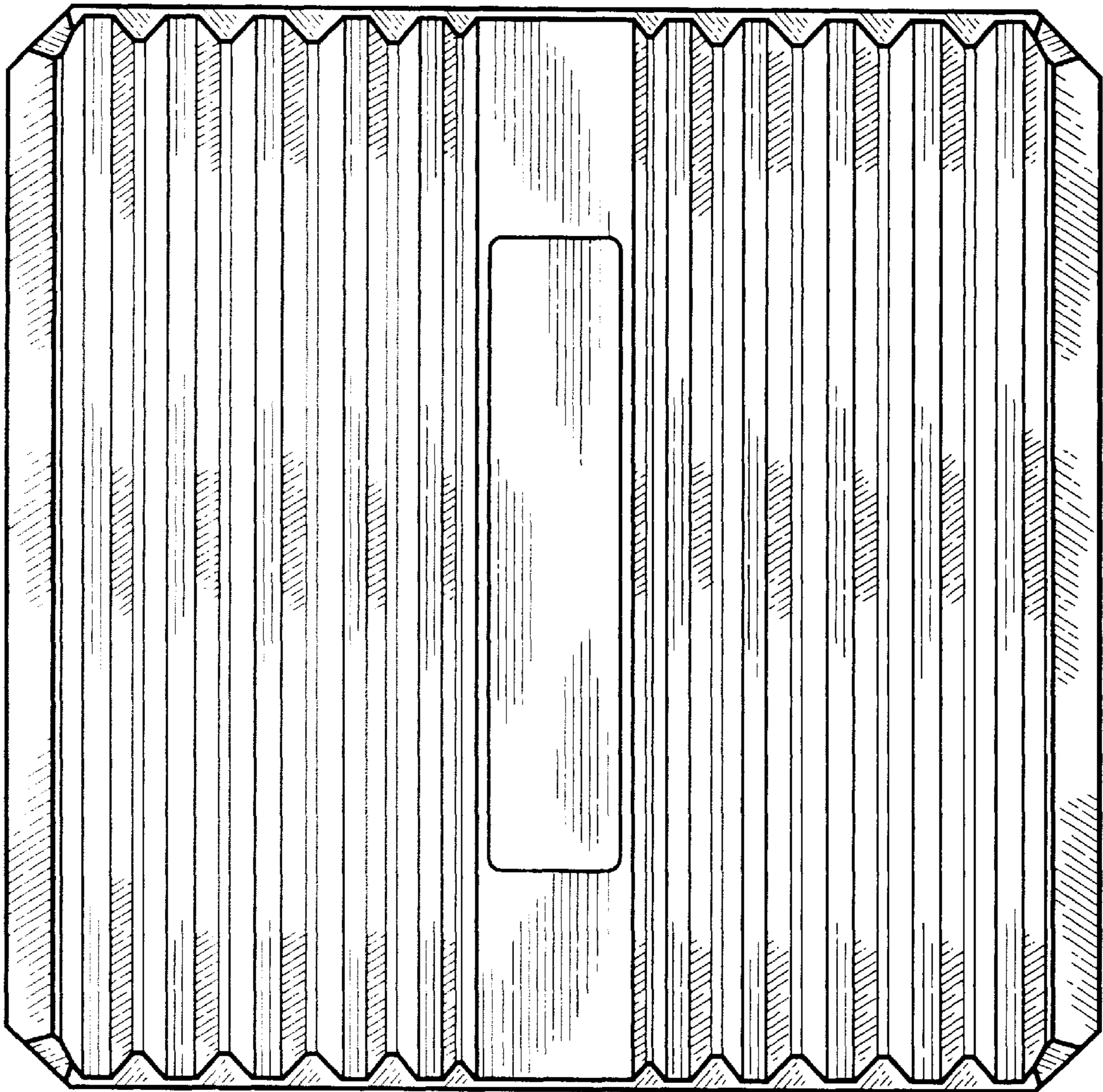


Fig. 5