



US00D462320S

(12) **United States Design Patent**
Krieger et al.

(10) **Patent No.:** **US D462,320 S**

(45) **Date of Patent:** **** Sep. 3, 2002**

(54) **BATTERY CHARGER**

(75) Inventors: **Michael Krieger**, Miami Beach; **Kevin Ellsworth**, Hollywood, both of FL (US)

(73) Assignee: **Vector Products, Inc.**, Ft. Lauderdale, FL (US)

(**) Term: **14 Years**

(21) Appl. No.: **29/150,069**

(22) Filed: **Nov. 5, 2001**

(51) **LOC (7) Cl.** **13-02**

(52) **U.S. Cl.** **D13/107**

(58) **Field of Search** D13/107, 108;
320/104, 105, 107-115

(56) **References Cited**

U.S. PATENT DOCUMENTS

- D227,680 S * 7/1973 Fischer D13/107
- D228,071 S * 8/1973 Berkoff D13/107
- D234,979 S * 4/1975 Miller D13/107

- D250,015 S * 10/1978 Schwartz D13/107
- D266,153 S * 9/1982 Suslov et al. D10/96
- D311,897 S * 11/1990 Moore et al. D13/107
- 5,939,858 A * 8/1999 Dodd et al. 320/107

* cited by examiner

Primary Examiner—Joel Sincavage

(74) *Attorney, Agent, or Firm*—Venable; Robert Kinberg

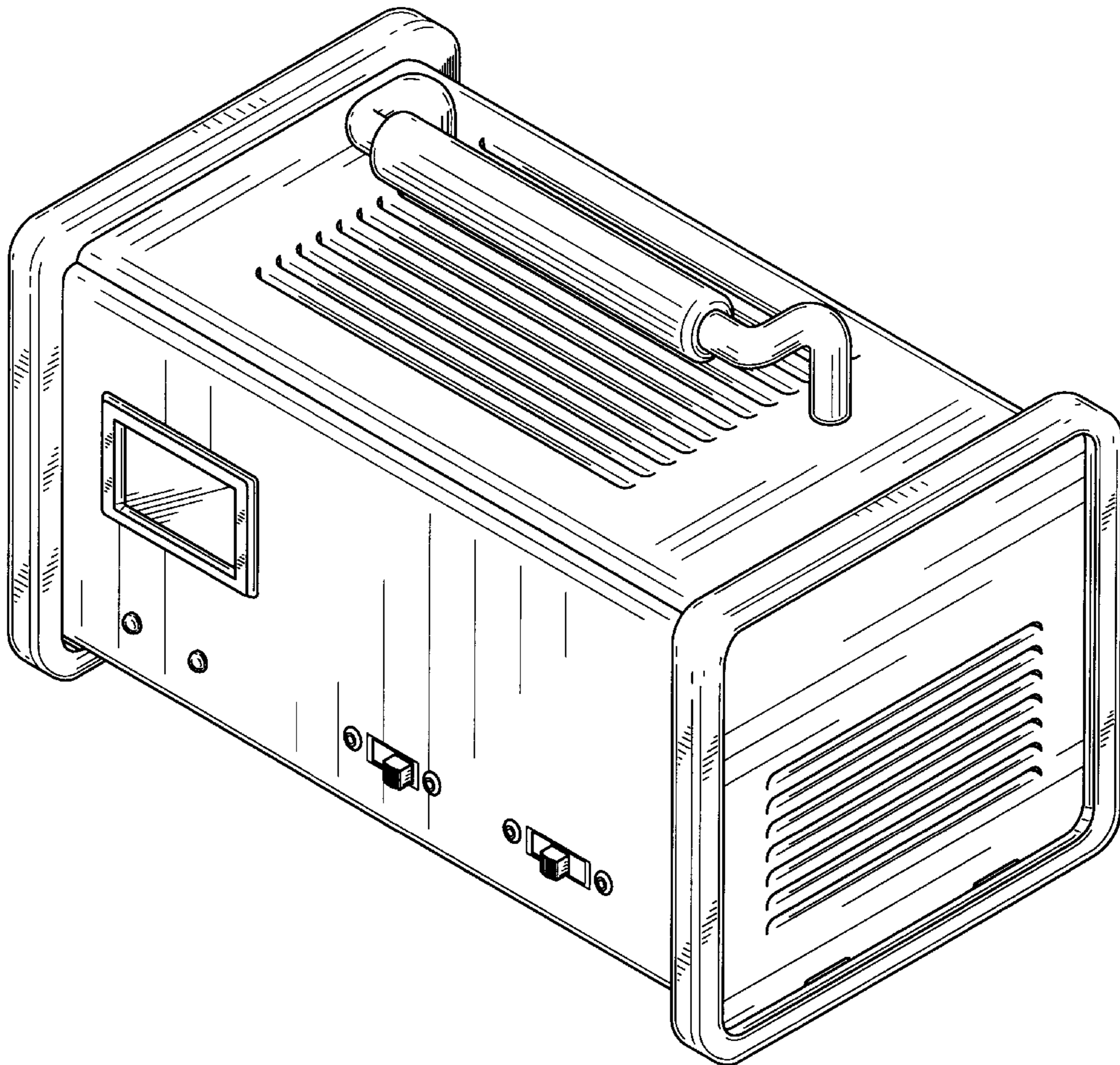
(57) **CLAIM**

The ornamental design for a battery charger, as shown and described.

DESCRIPTION

FIG. 1 is a top-front-right perspective view of the battery charger showing our new design;
 FIG. 2 is a front view of the design shown in FIG. 1;
 FIG. 3 is a back view of the design shown in FIG. 1;
 FIG. 4 is a left side view of the design shown in FIG. 1;
 FIG. 5 is a right side view of the design shown in FIG. 1;
 FIG. 6 is a top view of the design shown in FIG. 1; and,
 FIG. 7 is a bottom view of the design shown in FIG. 1.

1 Claim, 7 Drawing Sheets



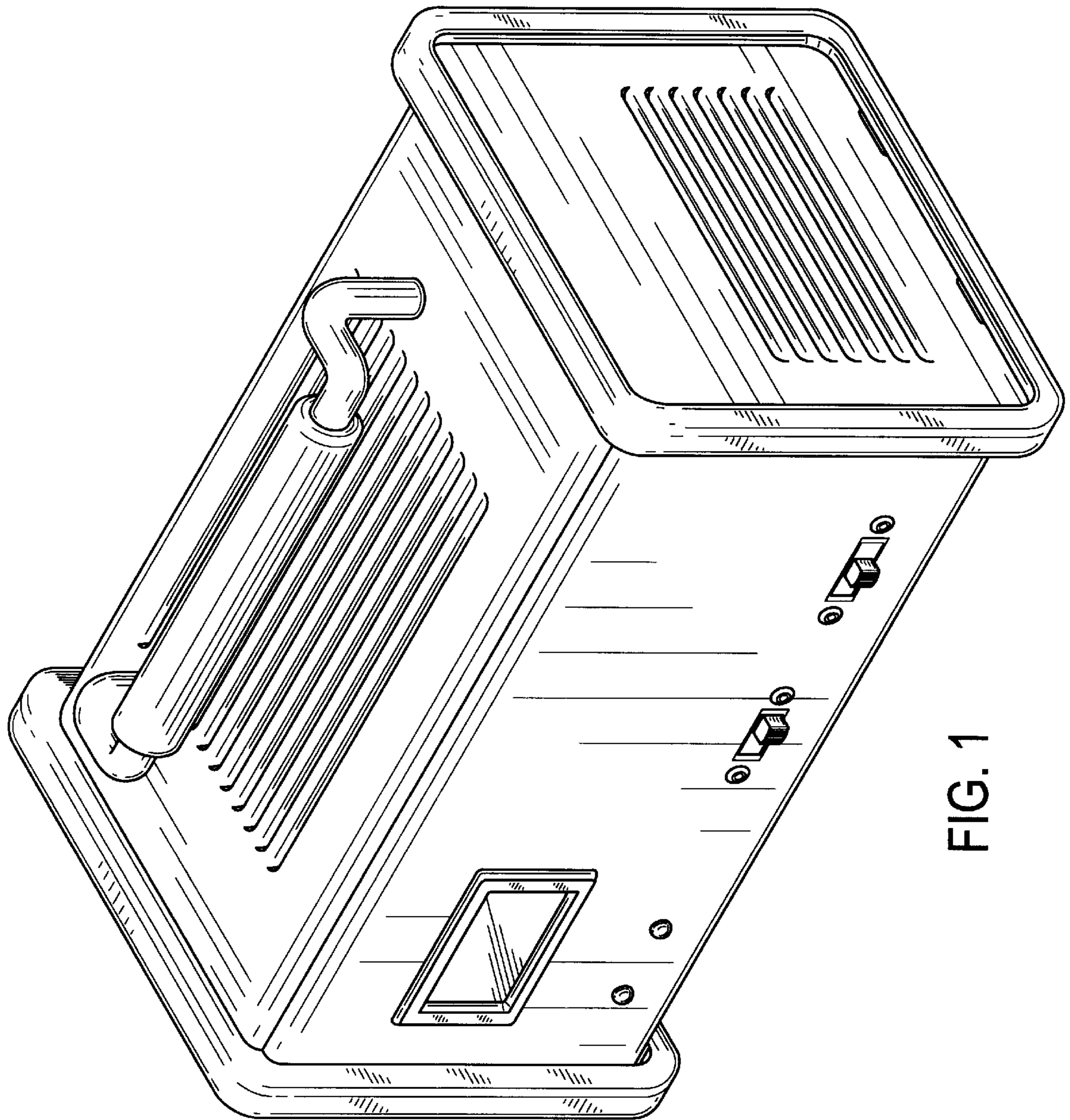


FIG. 1

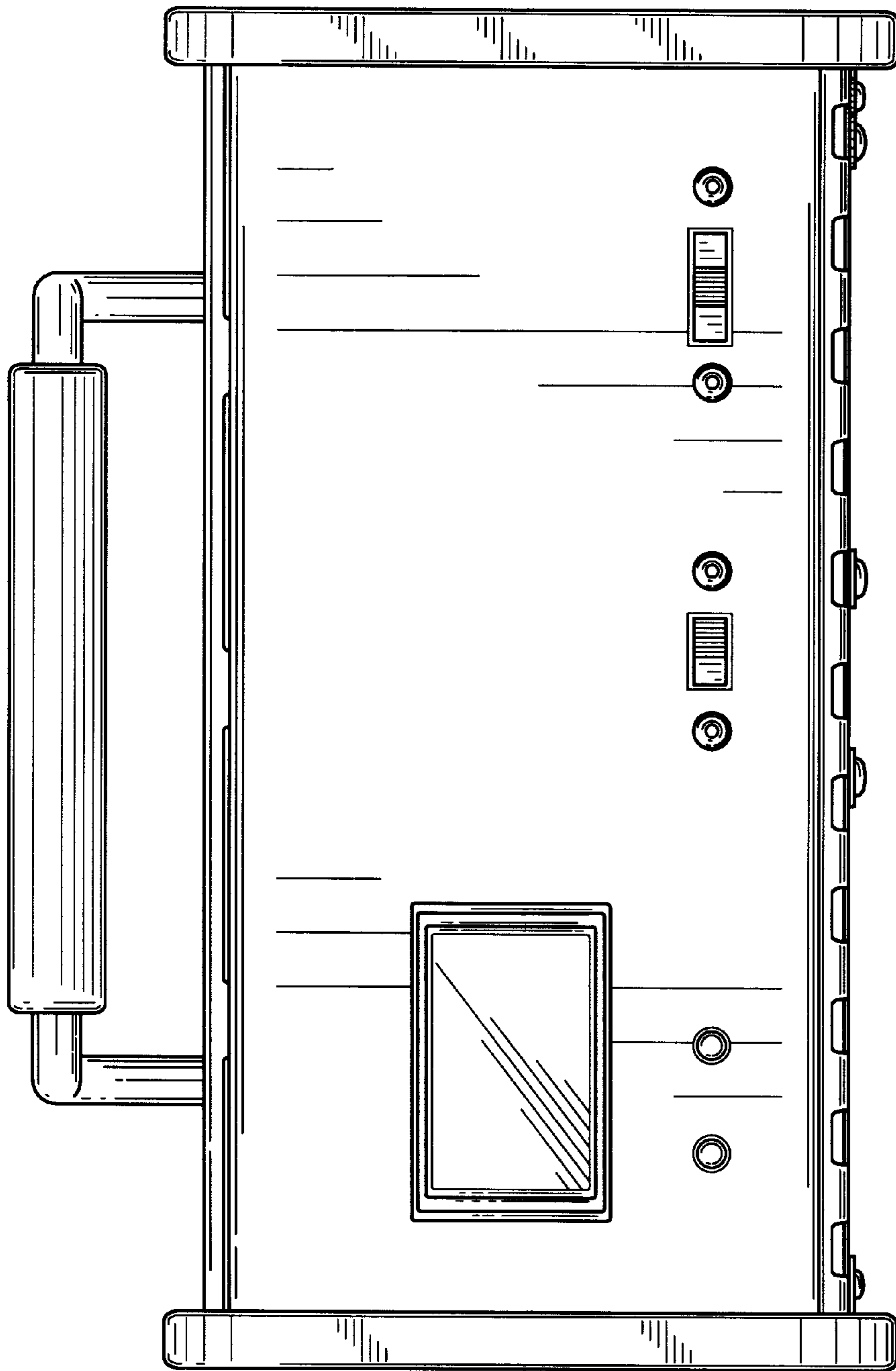


FIG. 2

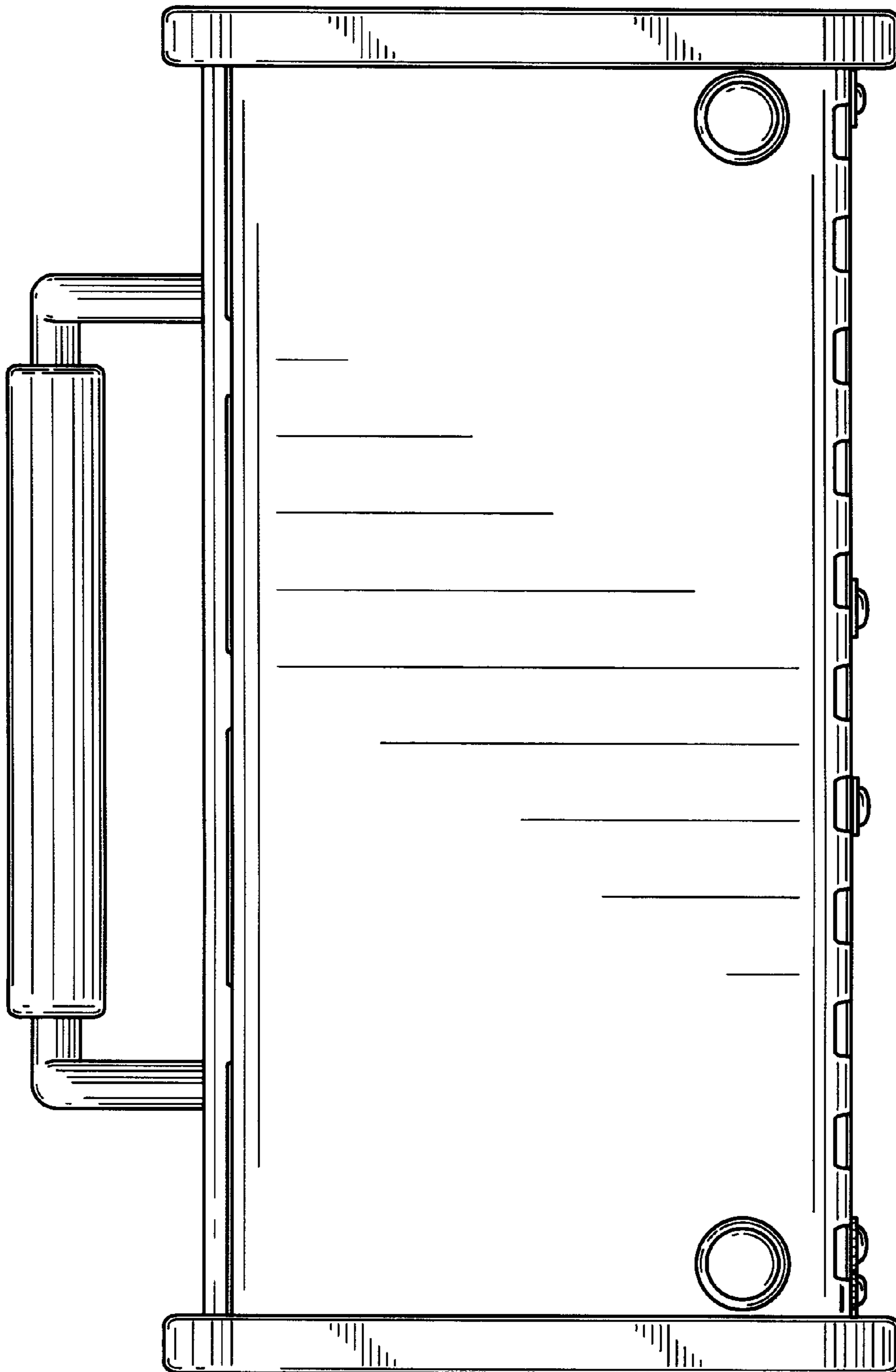


FIG. 3

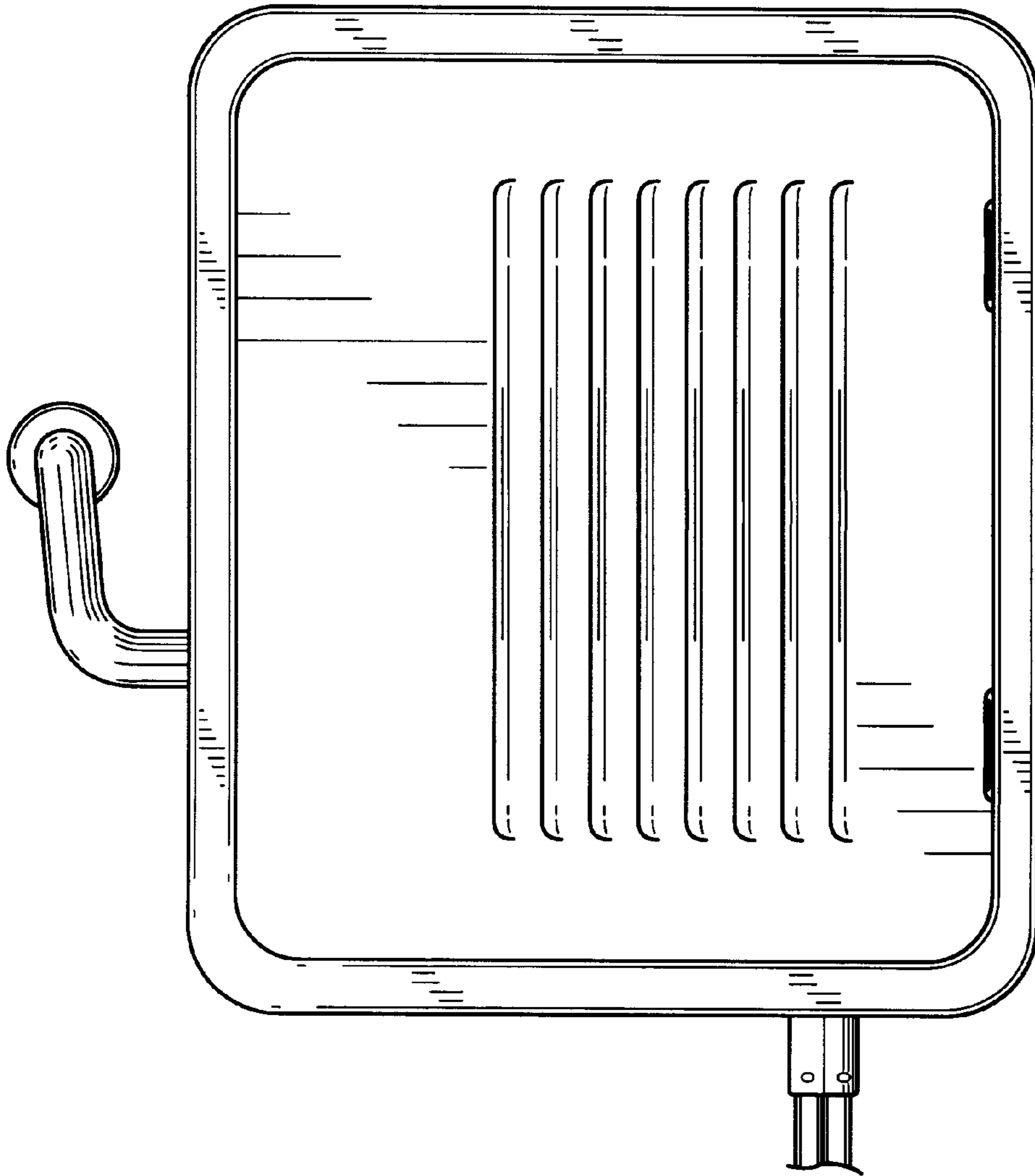


FIG. 4

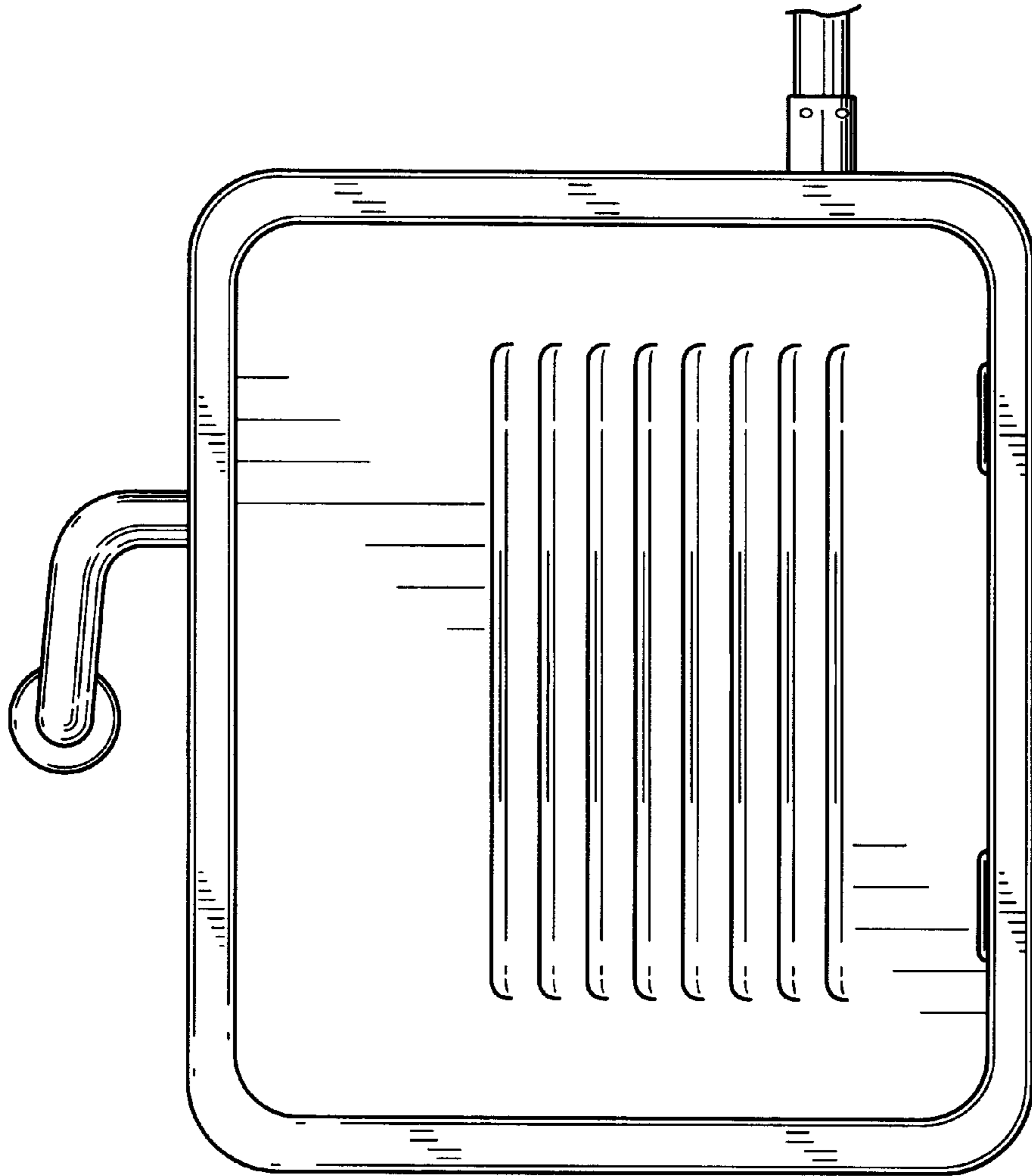


FIG. 5

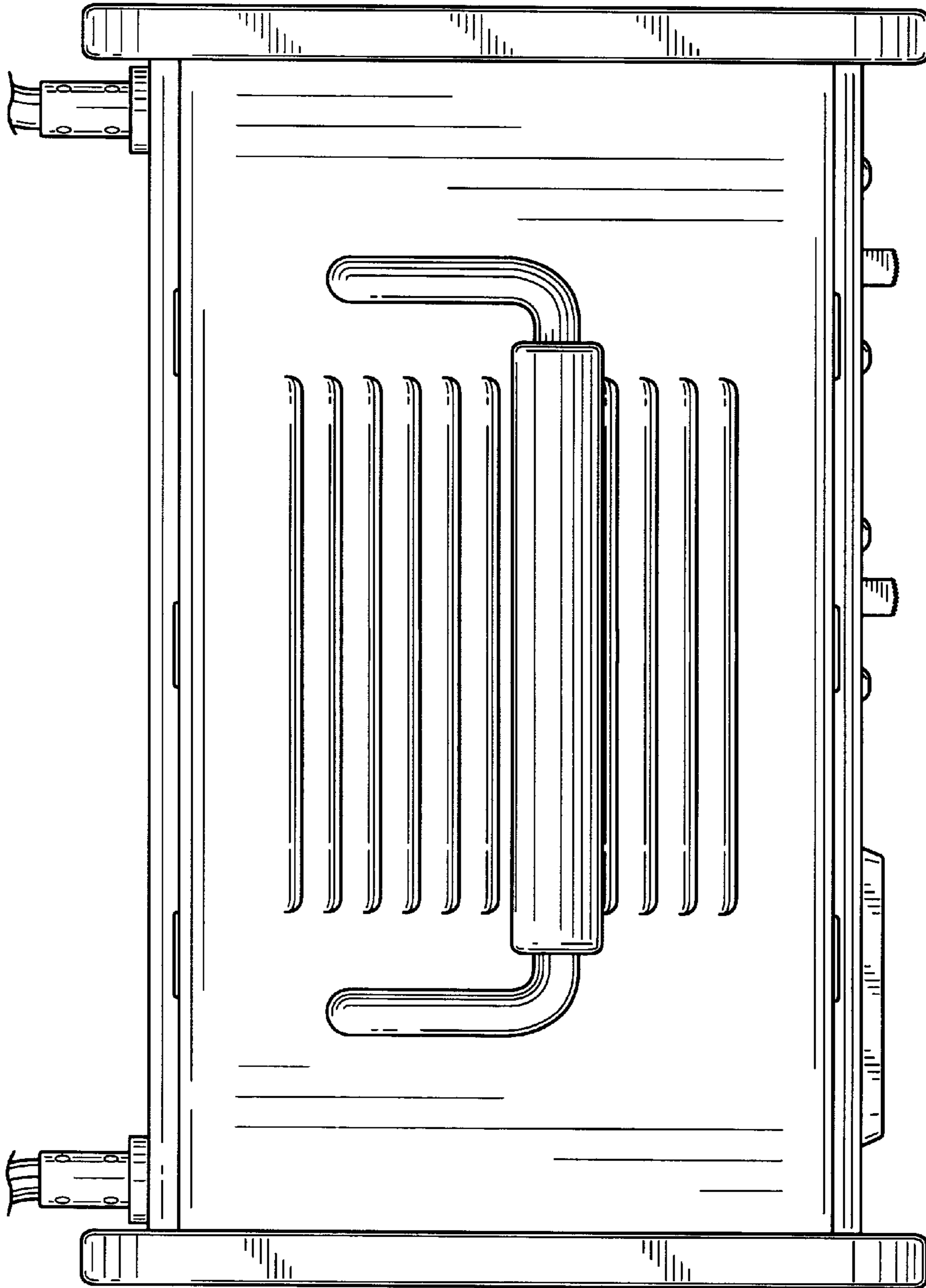


FIG. 6

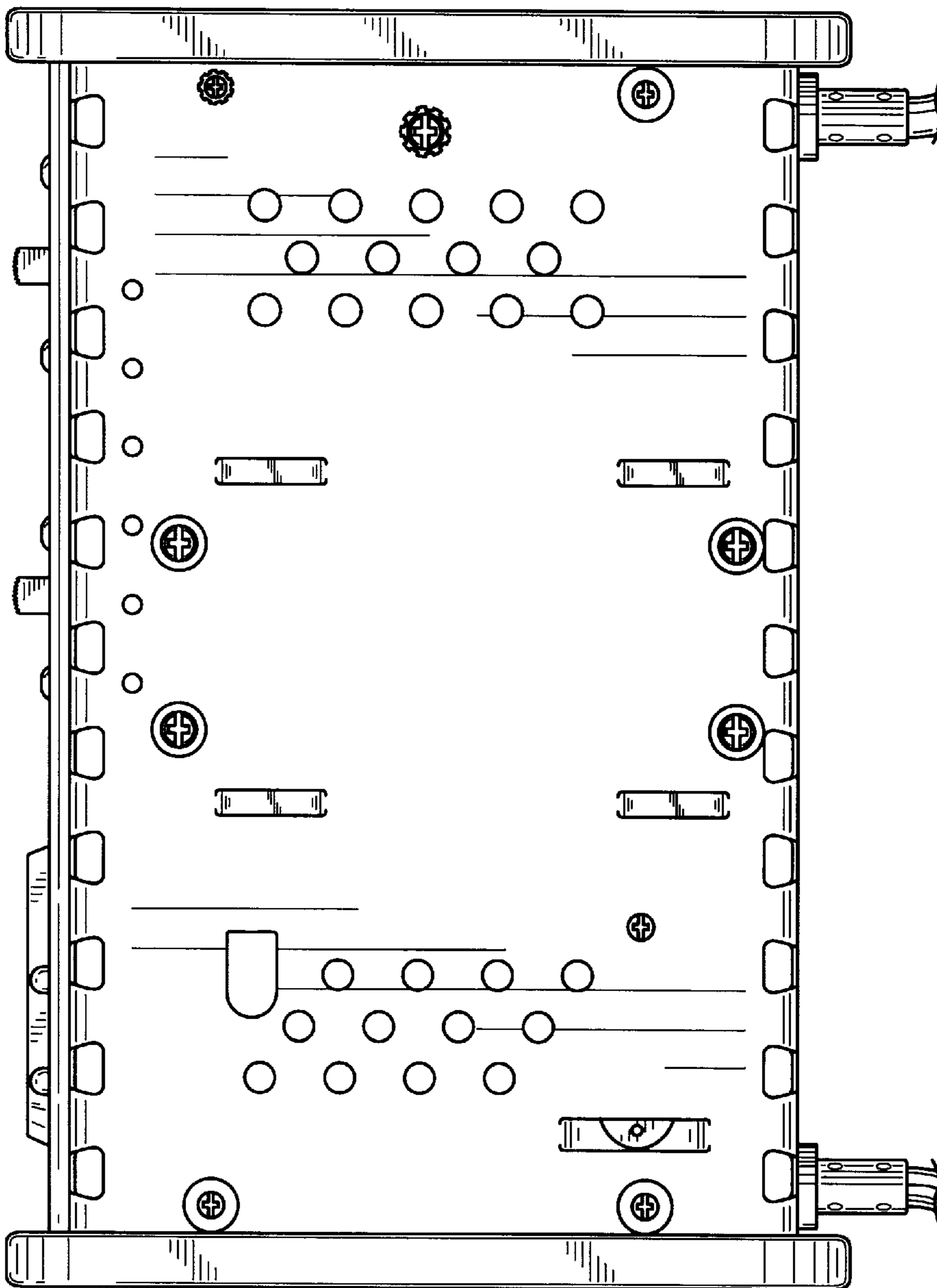


FIG. 7