



US00D462309S

(12) **United States Design Patent**
Hieke

(10) **Patent No.:** **US D462,309 S**

(45) **Date of Patent:** **** Sep. 3, 2002**

(54) **FRONT FACE OF A VEHICLE WHEEL**

(75) **Inventor:** **Claus Hieke, Sindelfingen (DE)**

(73) **Assignee:** **DaimlerChrysler AG, Stuttgart (DE)**

(**) **Term:** **14 Years**

(21) **Appl. No.:** **29/132,051**

(22) **Filed:** **Nov. 2, 2000**

(30) **Foreign Application Priority Data**

May 4, 2000 (DE) 4 00 04 301

(51) **LOC (7) Cl.** **12-16**

(52) **U.S. Cl.** **D12/211**

(58) **Field of Search** **D12/204-211;**
301/37.1, 64.1, 65

(56) **References Cited**

U.S. PATENT DOCUMENTS

D302,264 S	*	7/1989	Soederberg	D12/209
D360,610 S	*	7/1995	Bernoni	D12/211
D375,074 S	*	10/1996	Sacco et al.	D12/209
D399,470 S	*	10/1998	Sacco et al.	D12/209
D412,309 S	*	7/1999	Stacy	D12/209
D419,512 S	*	1/2000	Sacco et al.	D12/209

D419,940 S	*	2/2000	Sacco et al.	D12/209
D427,960 S	*	7/2000	Sacco et al.	D12/209
D430,523 S	*	9/2000	Pfeiffer	D12/209
D432,970 S	*	10/2000	Pfeiffer et al.	D12/209
D451,458 S	*	12/2001	Sacco et al.	D12/209
D452,838 S	*	1/2002	Hieke	D12/209
D453,131 S	*	1/2002	Gabath	D12/209
D454,104 S	*	3/2002	Hieke	D12/209
D454,325 S	*	3/2002	Hieke	D12/209
D454,530 S	*	3/2002	Hieke	D12/211

* cited by examiner

Primary Examiner—Stacia Cadmus

(74) *Attorney, Agent, or Firm*—Crowell & Moring LLP

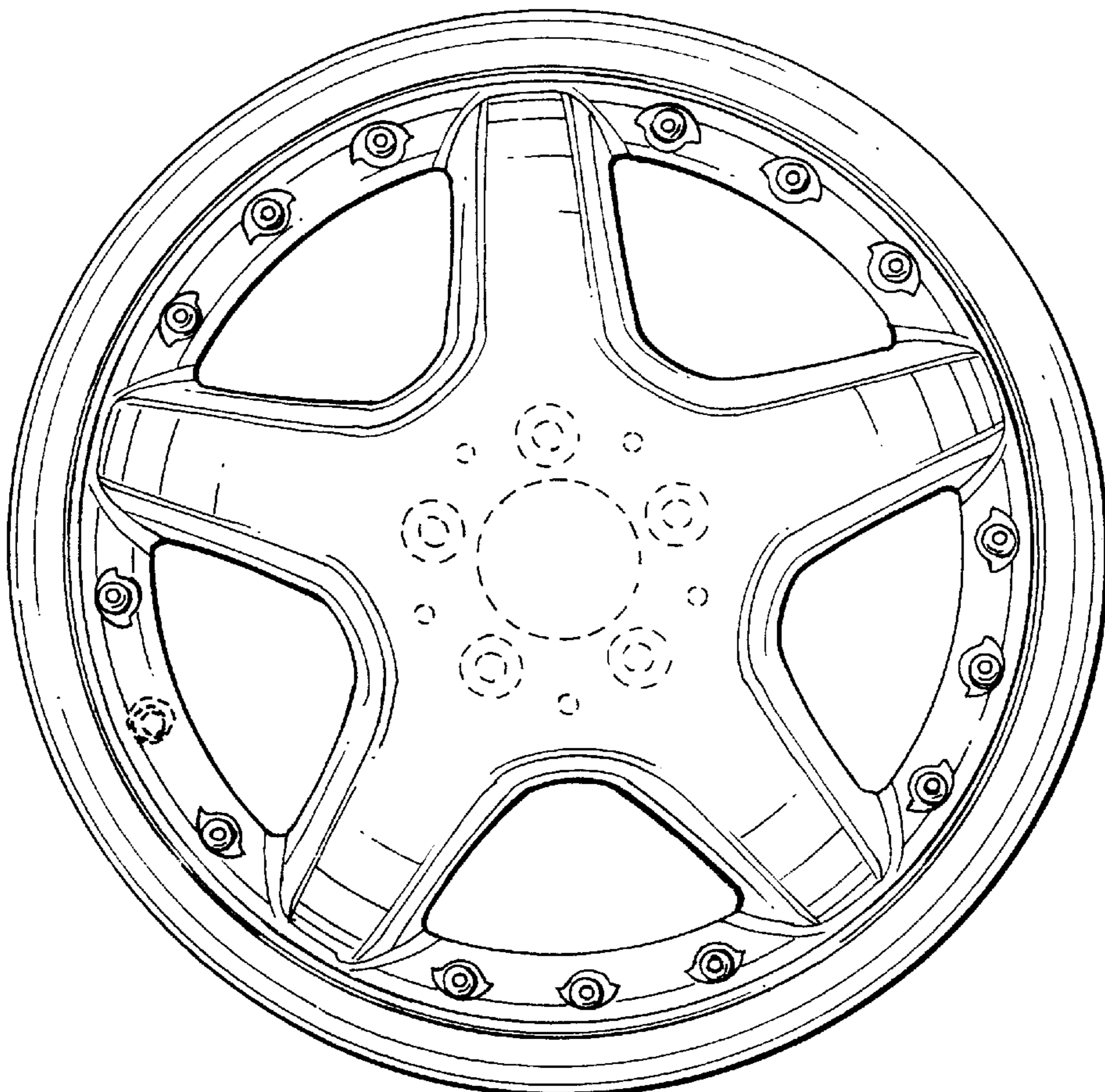
(57) **CLAIM**

The ornamental design for a front face of a vehicle wheel, as shown and described.

DESCRIPTION

FIG. 1 is a front view of a front face of a vehicle wheel according to my novel design; and, FIG. 2 is a perspective view of the front face of a vehicle wheel according to my new design. The dash lines included depict environment and are not part of the claimed design.

1 Claim, 1 Drawing Sheet



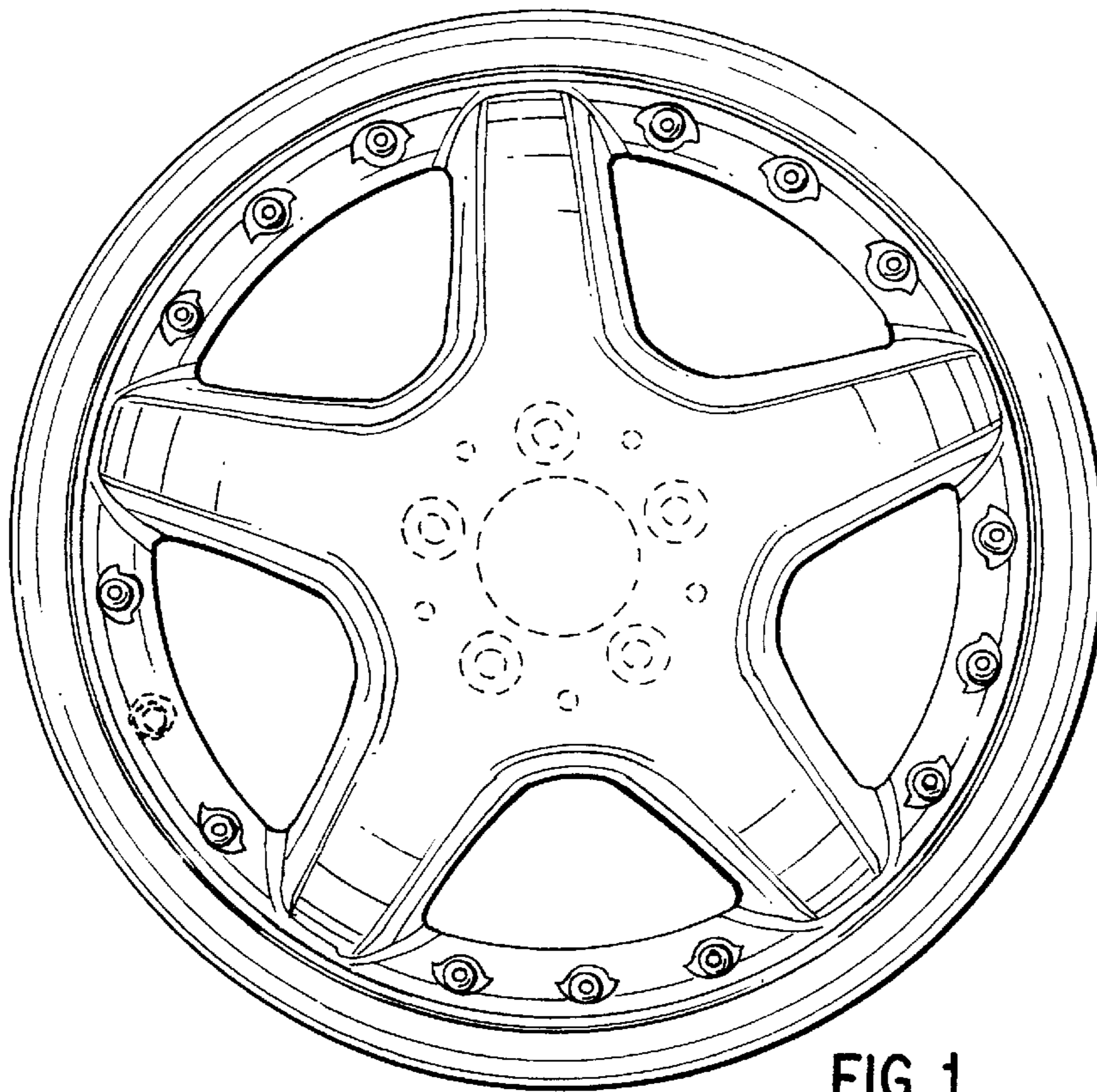


FIG. 1

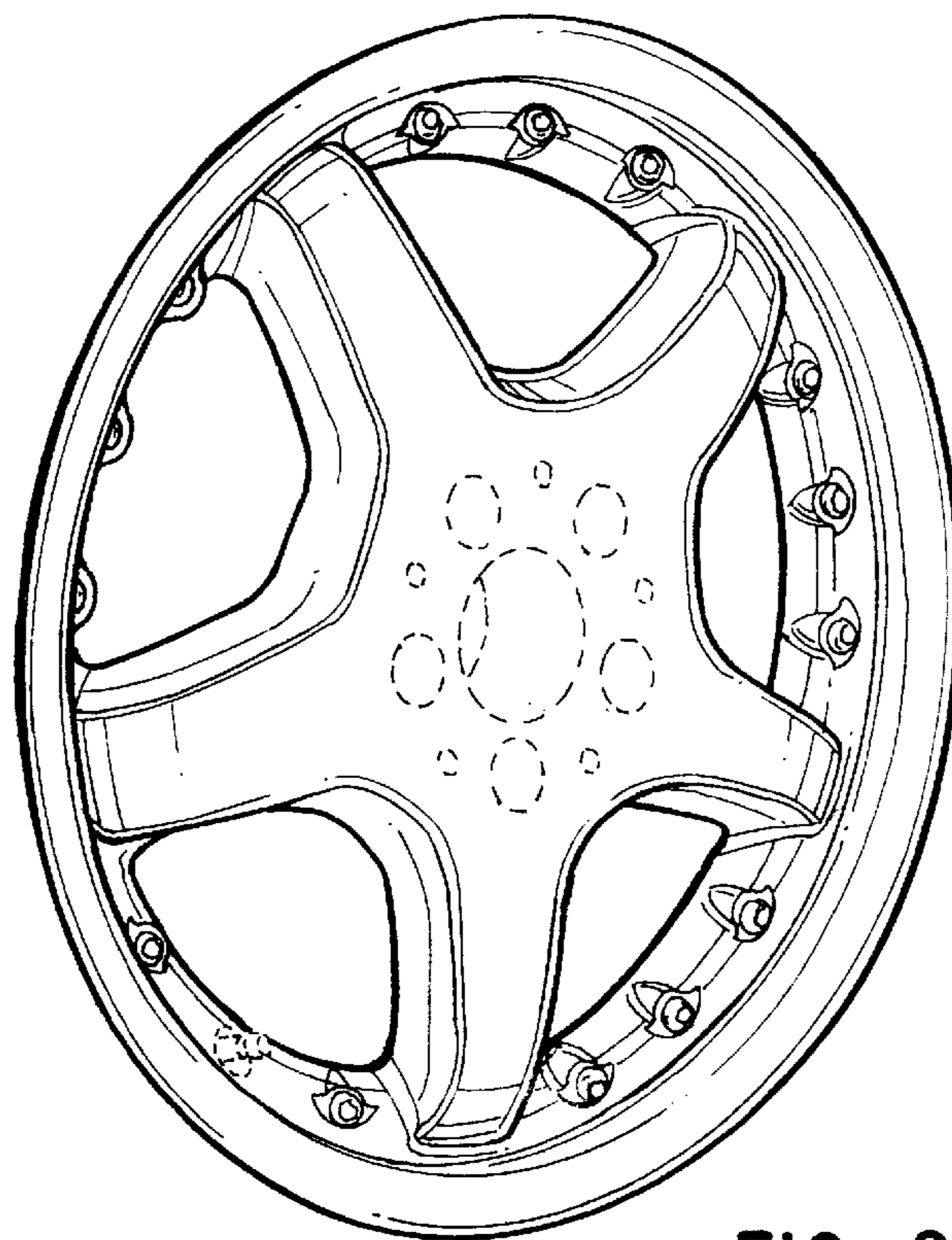


FIG. 2