



US00D462305S

(12) **United States Design Patent**
Abalos et al.

(10) **Patent No.:** **US D462,305 S**

(45) **Date of Patent:** **** Sep. 3, 2002**

(54) **MIRROR VIEW ASSEMBLY**

(75) Inventors: **Santiago C. Abalos; William R. Headlee**, both of Fort Wayne, IN (US)

(73) Assignee: **International Truck Intellectual Property Company, L.L.C.**, Warrenville, IL (US)

(**) Term: **14 Years**

(21) Appl. No.: **29/150,984**

(22) Filed: **Oct. 31, 2001**

(51) **LOC (7) Cl.** **12-16**

(52) **U.S. Cl.** **D12/187**

(58) **Field of Search** D12/187-189;
359/838-854, 864-881; 248/475.1, 479,
480

(56) **References Cited**

U.S. PATENT DOCUMENTS

D315,710 S * 3/1991 Ropolo D12/187
D385,243 S * 10/1997 Lang D12/187

D387,317 S * 12/1997 Lang D12/187
D397,072 S * 8/1998 Hellhake et al. D12/187
D407,361 S * 3/1999 Lang D12/187
D452,671 S * 1/2002 Lang D12/187

* cited by examiner

Primary Examiner—Melody N. Brown

(74) *Attorney, Agent, or Firm*—Jeffrey P. Calfa; Neil T. Powell; Dennis Kelly Sullivan

(57) **CLAIM**

The ornamental design for a mirror view assembly, as shown and described.

DESCRIPTION

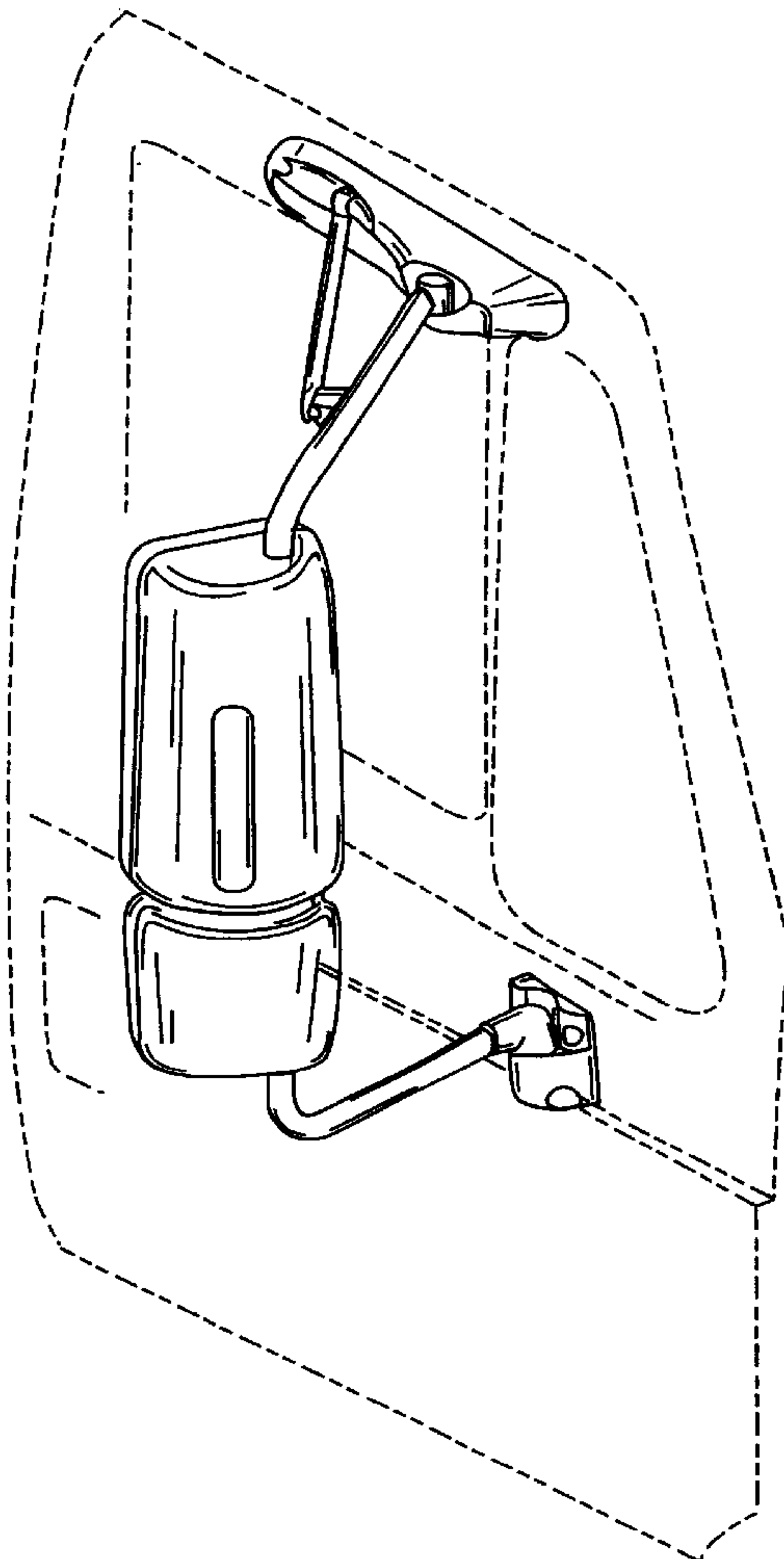
FIG. 1 is a right, front perspective view of a mirror view assembly installed on a vehicle showing our new design, it may be understood that the broken lines on all figures are for illustrative purposes only and form no part of the claimed design.

FIG. 2 is a right, rear perspective view thereof.

FIG. 3 is a top view thereof; and,

FIG. 4 is a bottom view thereof.

1 Claim, 3 Drawing Sheets



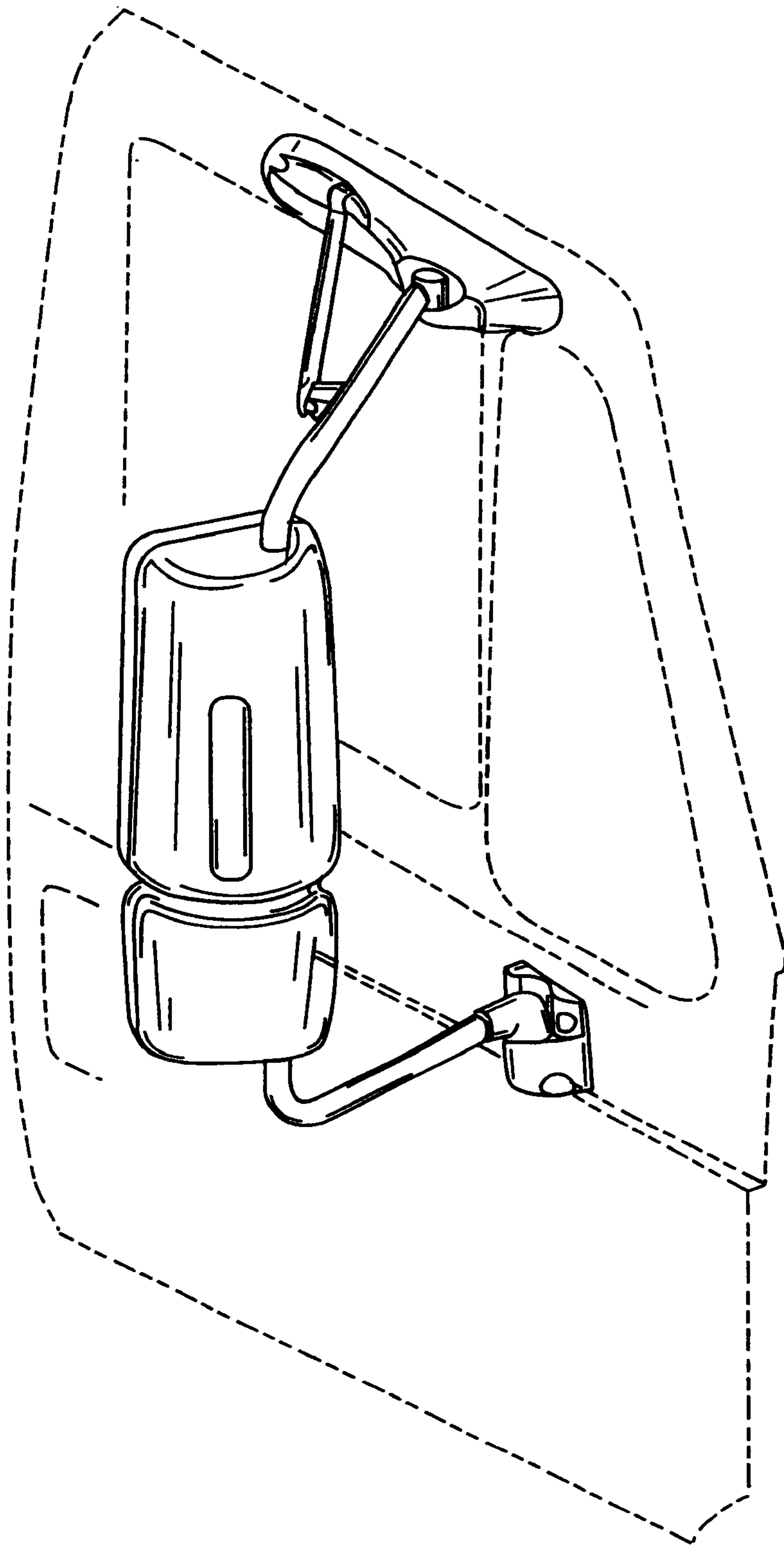


FIG. 1

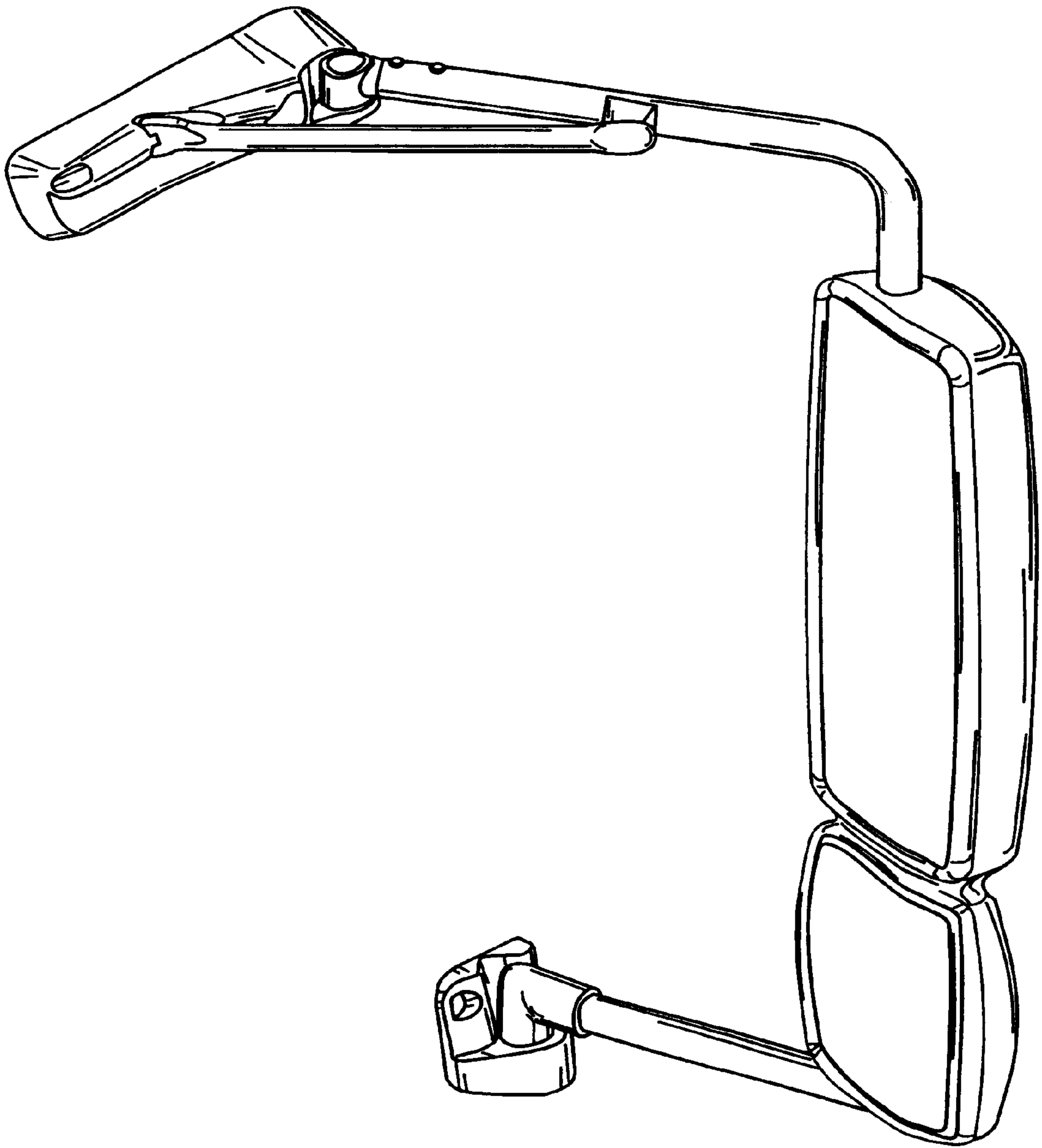


FIG. 2

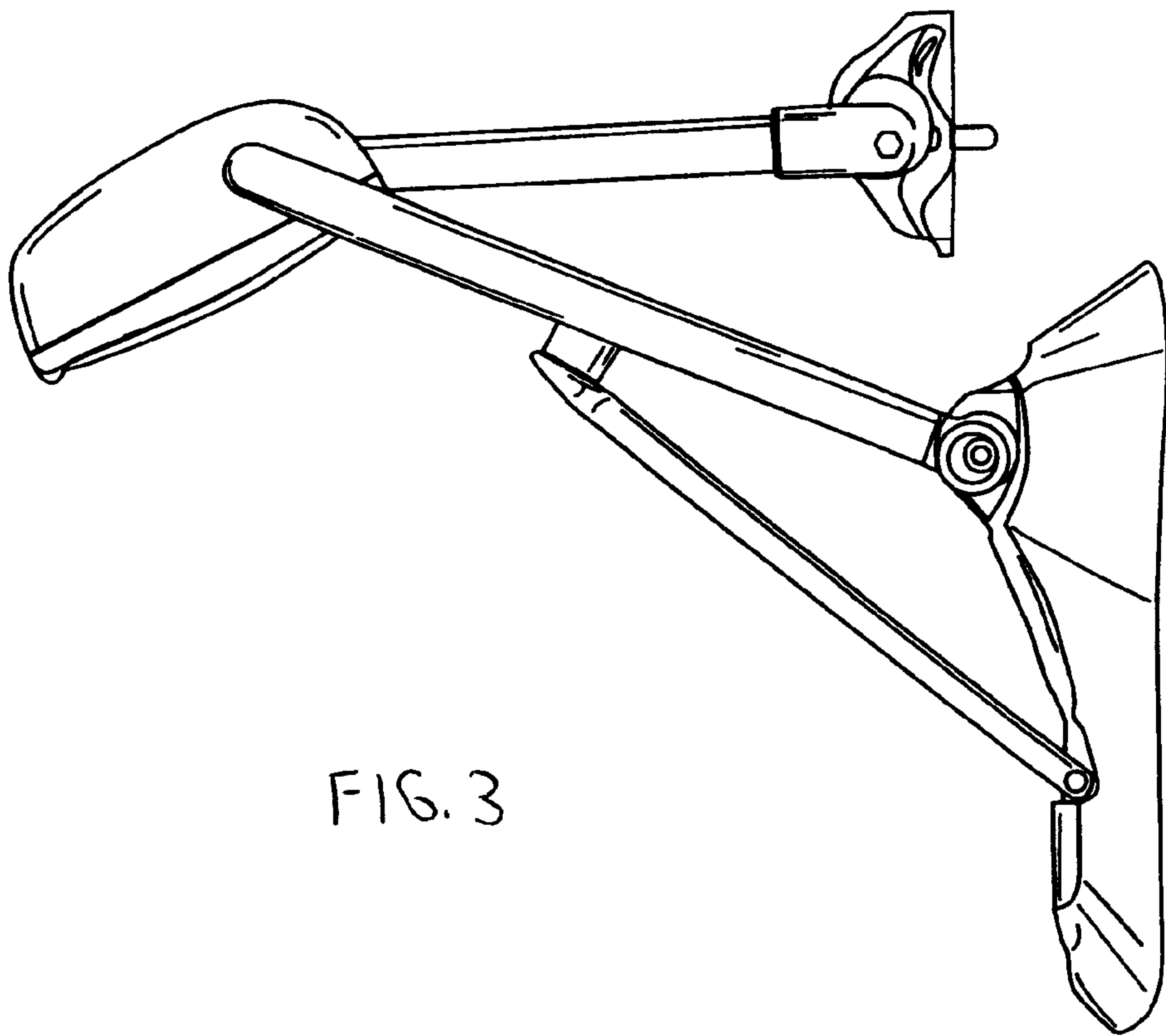


FIG. 3

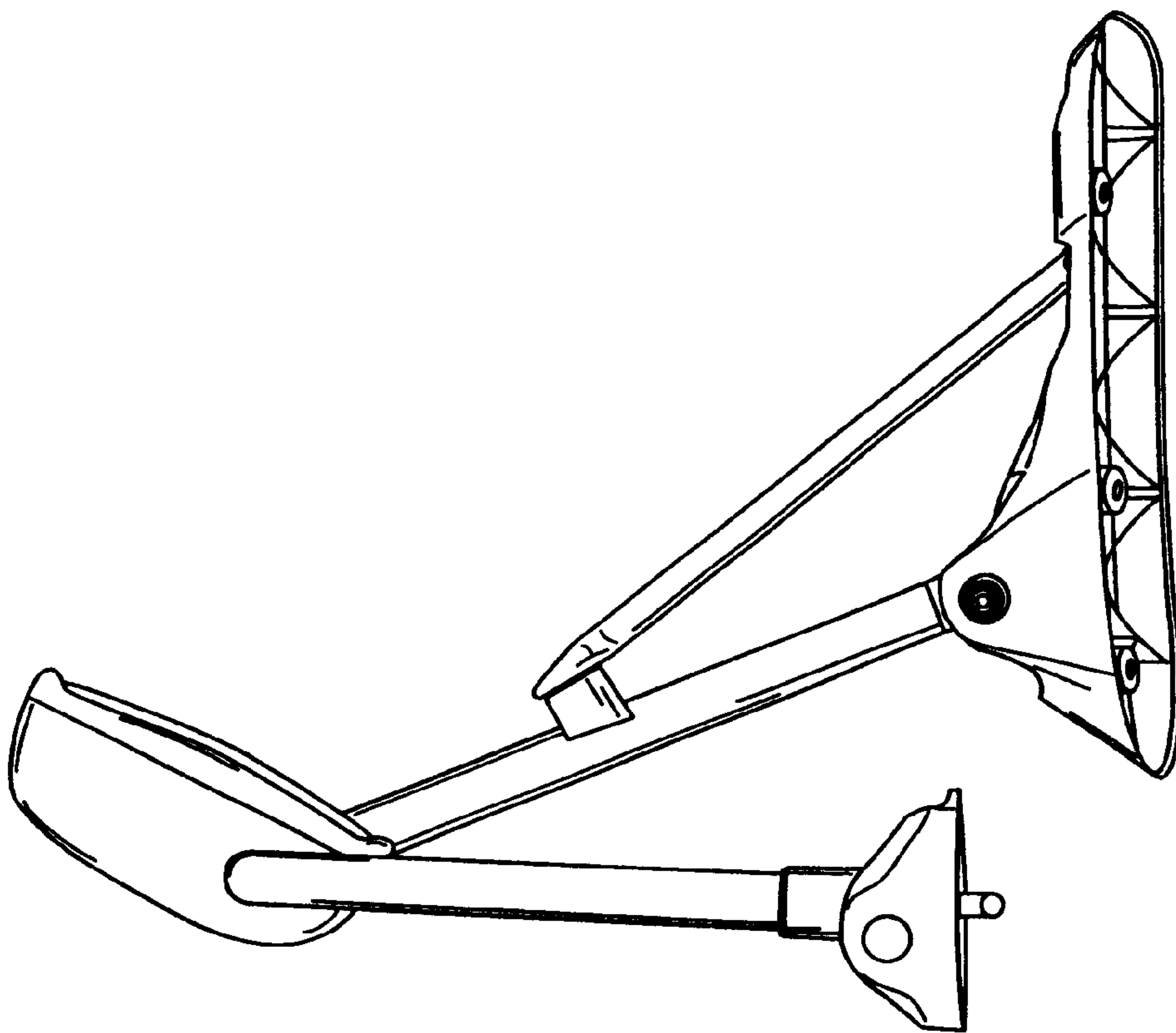


FIG. 4