



US00D462302S

(12) **United States Design Patent**
Francis

(10) **Patent No.:** **US D462,302 S**

(45) **Date of Patent:** **** Sep. 3, 2002**

(54) **BICYCLE TRAINING HANDLE**

(76) Inventor: **Norman Francis**, 2911 W. 84th Pl.,
Inglewood, CA (US) 90305

(**) Term: **14 Years**

(21) Appl. No.: **29/135,535**

(22) Filed: **Jan. 16, 2001**

(51) **LOC (7) Cl.** **12-11**

(52) **U.S. Cl.** **D12/114**

(58) **Field of Search** D12/111, 112,
D12/114; 280/282, 288.4, 293, 304.5; 74/551.8

(56) **References Cited**

U.S. PATENT DOCUMENTS

3,650,544 A	3/1972	Cassell	280/293
4,917,398 A	4/1990	de Miranda Pinto	280/293
5,154,096 A	10/1992	Geller et al.	74/551
5,259,638 A	11/1993	Krauss et al.	280/293
D377,634 S *	1/1997	DeLeo	D12/114

* cited by examiner

Primary Examiner—Alan P. Douglas

Assistant Examiner—Linda Brooks

(74) *Attorney, Agent, or Firm*—Goldstein & Lavas, P.C.

(57) **CLAIM**

The ornamental design for a bicycle training handle, as shown and described.

DESCRIPTION

FIG. 1 is a perspective view of a bicycle training handle.

FIG. 2 is a top plan view thereof.

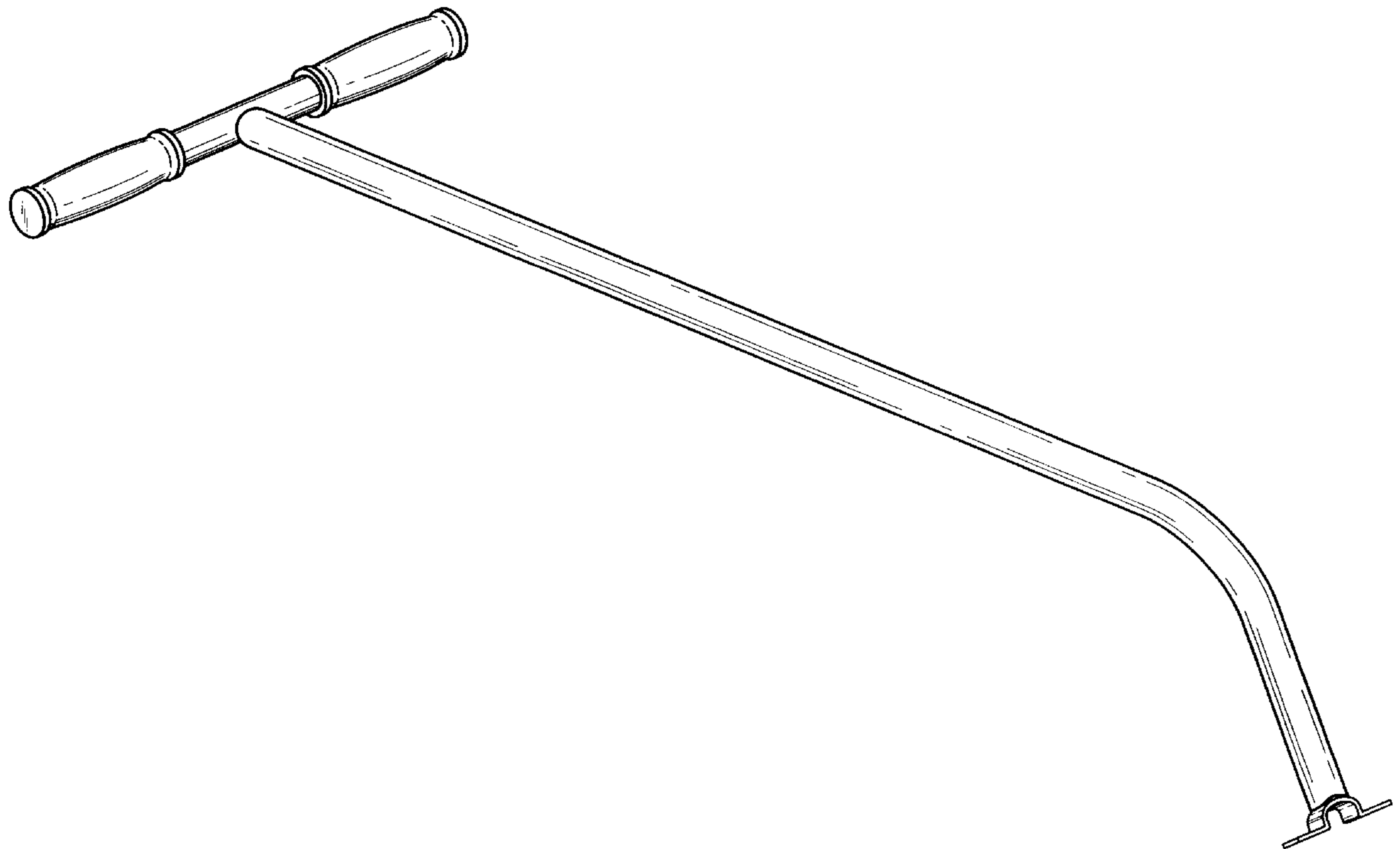
FIG. 3 is a bottom plan view thereof.

FIG. 4 is a left side elevational view thereof, the right side elevational view being a mirror image of the left side view.

FIG. 5 is a rear elevational view of the bicycle training handle; and,

FIG. 6 is a front elevational view thereof.

1 Claim, 3 Drawing Sheets



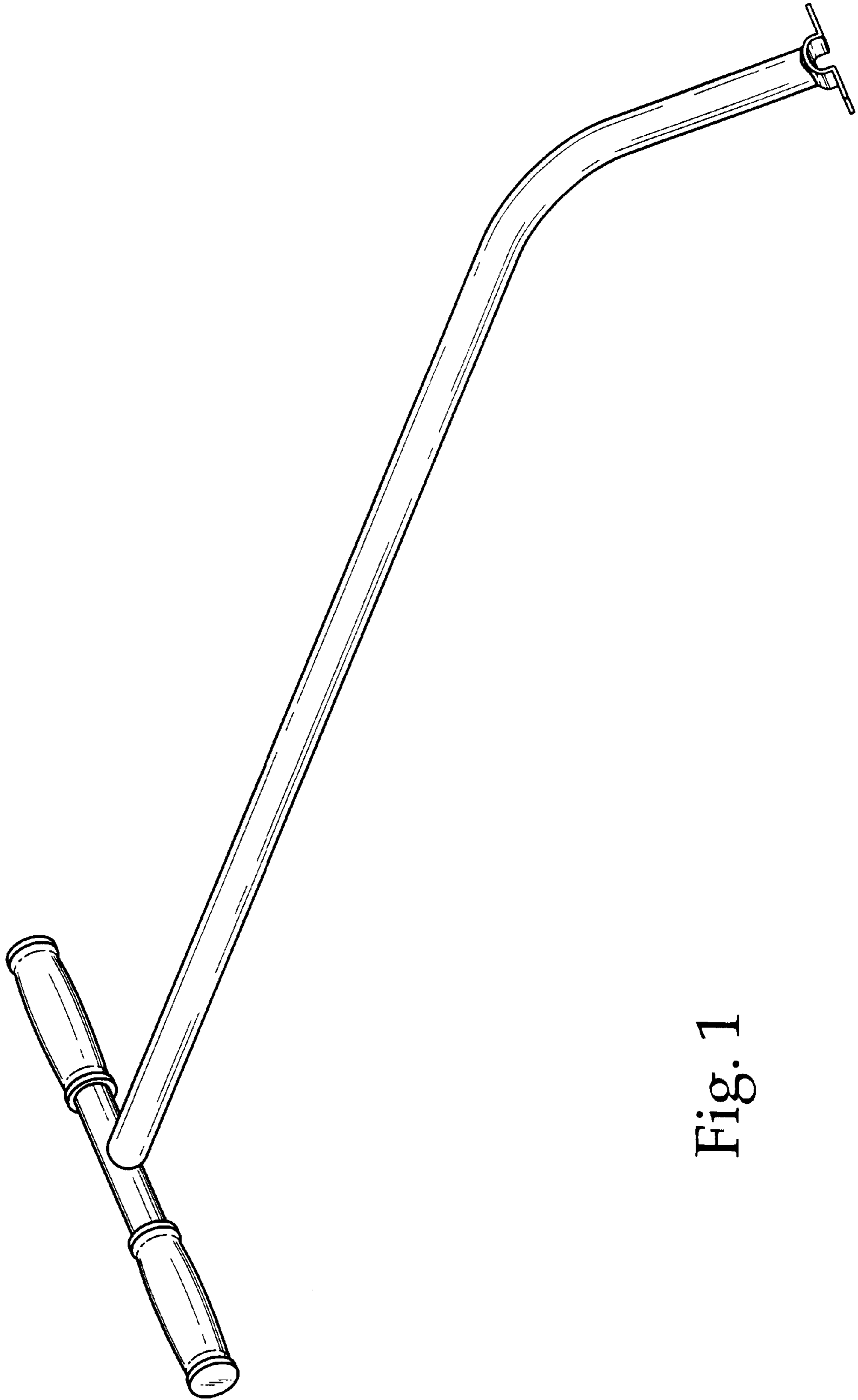


Fig. 1

Fig. 2

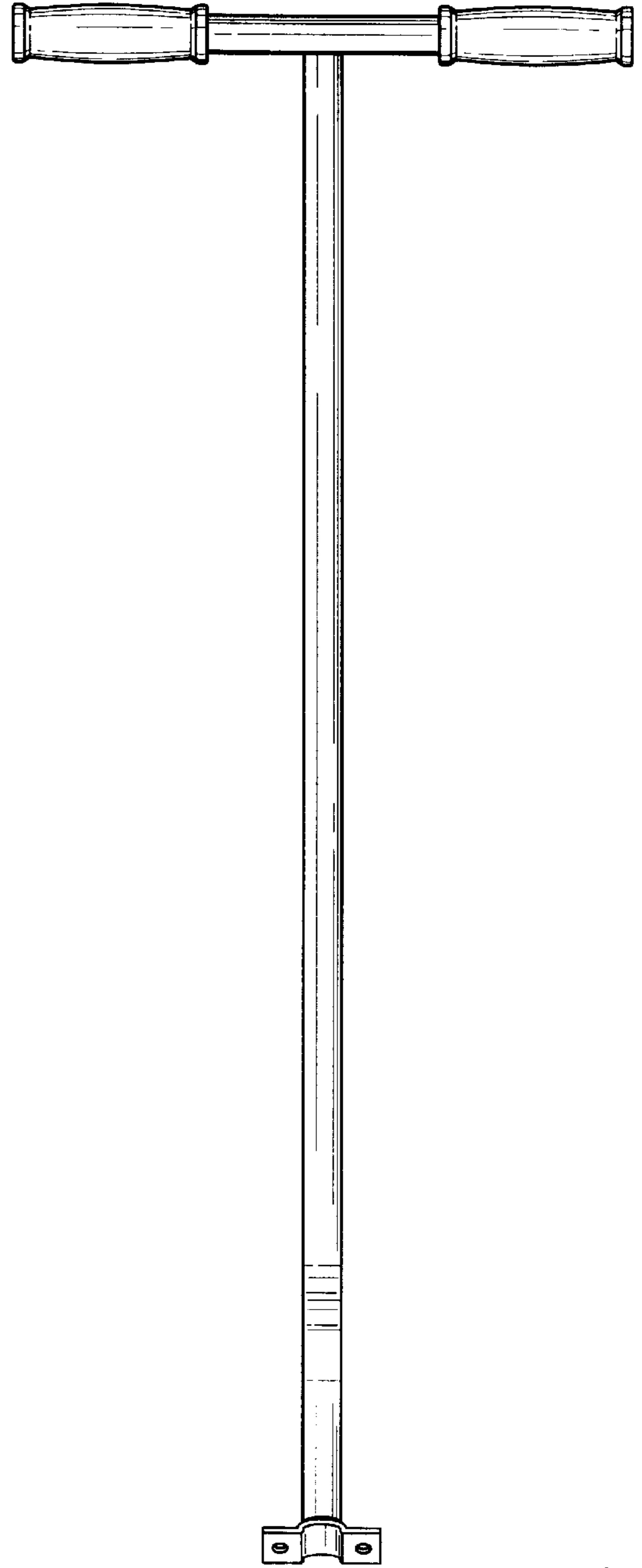
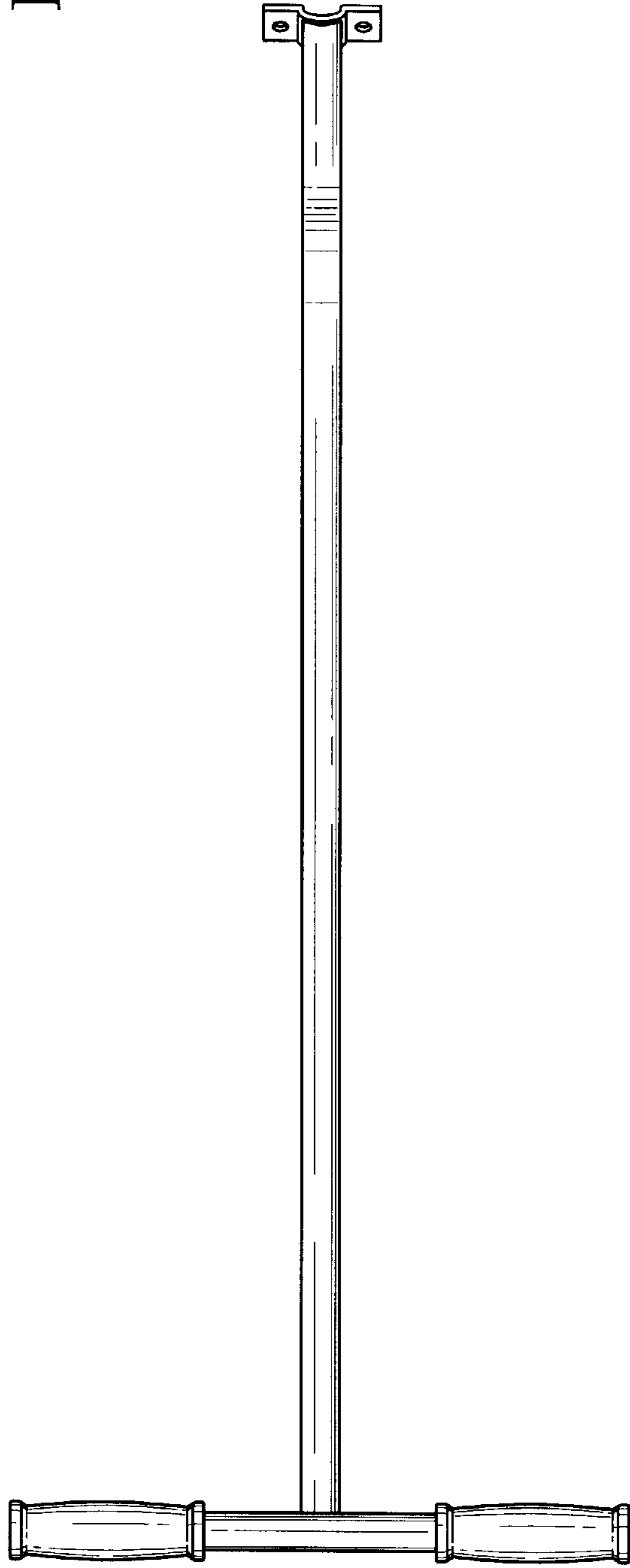


Fig. 3



Fig. 4

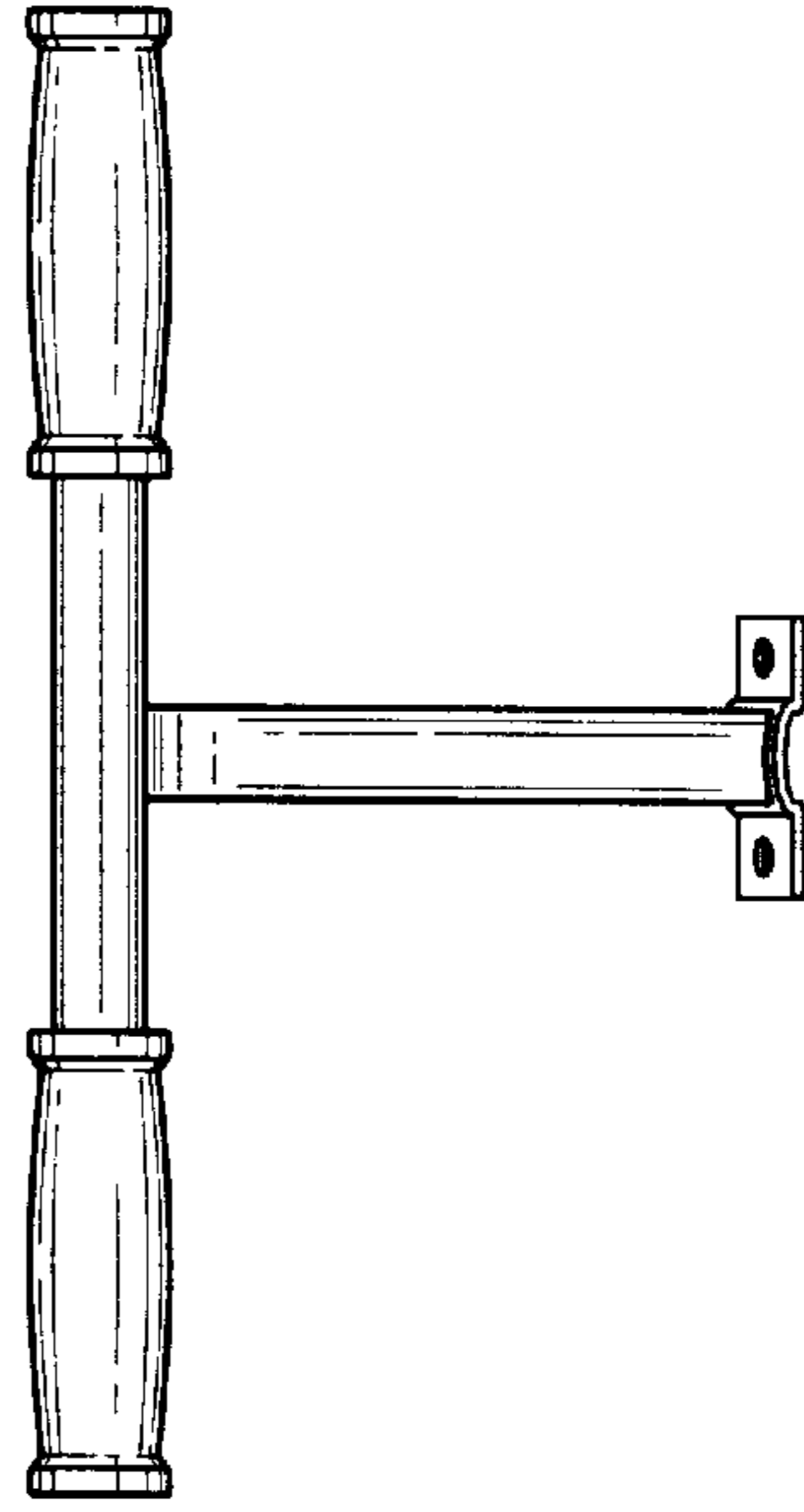


Fig. 6

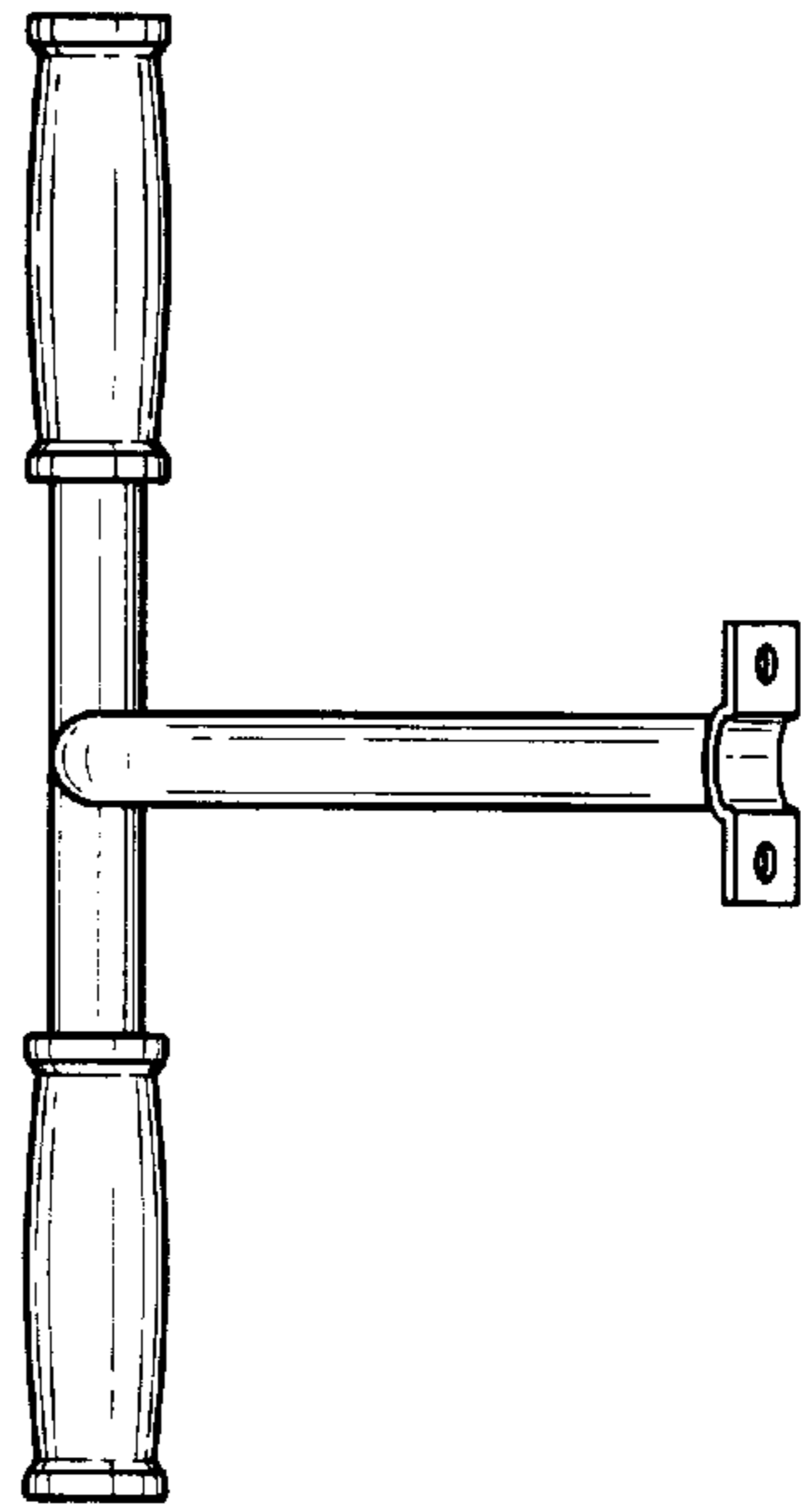


Fig. 5