



US00D462283S

(12) **United States Design Patent**
Kuntze

(10) **Patent No.:** **US D462,283 S**

(45) **Date of Patent:** **** Sep. 3, 2002**

(54) **TAPE MEASURE**

(75) Inventor: **Oliver Kuntze**, Leichlingen (DE)

(73) Assignee: **Karl Kuntze GmbH & Co.**, Lagenfeld (DE)

(**) Term: **14 Years**

(21) Appl. No.: **29/146,910**

(22) Filed: **Aug. 17, 2001**

(51) **LOC (7) Cl.** **10-04**

(52) **U.S. Cl.** **D10/72**

(58) **Field of Search** D10/72; 33/755-770

(56) **References Cited**

U.S. PATENT DOCUMENTS

D442,096 S	*	5/2001	Martone	D10/72
D442,097 S	*	5/2001	Yang	D10/72
D445,045 S	*	7/2001	Olson	D10/72
D449,546 S	*	10/2001	Lee	D10/72

* cited by examiner

Primary Examiner—Antoine Duval Davis

(74) *Attorney, Agent, or Firm*—Kirkpatrick & Lockhart LLP

(57) **CLAIM**

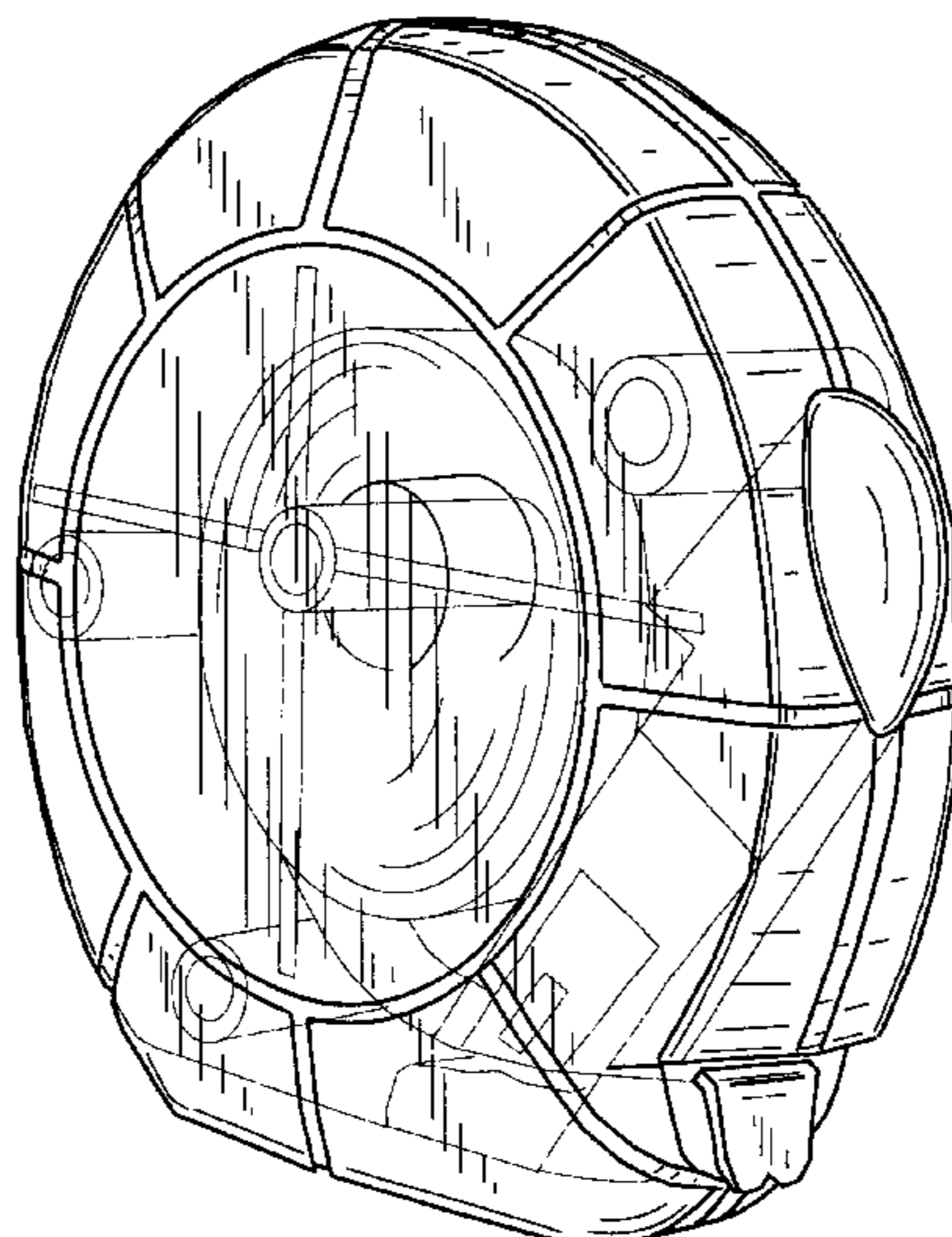
The ornamental design for a tape measure, as shown and described.

DESCRIPTION

FIG. 1 is a front and right side isometric view of a first transparent embodiment of a tape measure showing my new design and showing the tape in a first position;
 FIG. 2 is a right side view of the design of FIG. 1;
 FIG. 3 is a left side view of the design of FIGS. 1 and 2;
 FIG. 4 is a top view of the of the design of FIGS. 1-3;
 FIG. 5 is a bottom view of the design of FIGS. 1-4;
 FIG. 6 is a front view of the of the design of FIGS. 1-5;

FIG. 7 is a rear view of the design of FIGS. 1-6;
 FIG. 8 is a front and right side isometric view of the design of FIGS. 1-7 showing the tape in a second position;
 FIG. 9 is a front and right side isometric view of a second transparent embodiment of a tape measure showing my new design and showing the tape in a first position;
 FIG. 10 is a right side view of the design of FIG. 9;
 FIG. 11 is a left side view of the design of FIGS. 9 and 10;
 FIG. 12 is a top view of the design of FIGS. 9-11;
 FIG. 13 is a bottom view of the design of FIGS. 9-12;
 FIG. 14 is a front view of the design of FIGS. 9-13;
 FIG. 15 is a rear view of the design of FIGS. 9-14;
 FIG. 16 is a front and right side isometric view of the design of FIGS. 9-15 showing the tape in a second position;
 FIG. 17 is a front and right side isometric view of a third opaque embodiment of a tape measure showing my new design and showing the tape in a first position;
 FIG. 18 is a right side view of the design of FIG. 17;
 FIG. 19 is a left side view of the design of FIGS. 17 and 18;
 FIG. 20 is a top view of the design of FIGS. 17-19;
 FIG. 21 is a bottom view of the design of FIGS. 17-20;
 FIG. 22 is a front view of the design of FIGS. 17-21;
 FIG. 23 is a rear view of the design of FIGS. 17-22;
 FIG. 24 is a front and right side isometric view of the design of FIGS. 17-23 showing the tape in a second position;
 FIG. 25 is a front and right side isometric view of a fourth translucent embodiment of a tape measure showing my new design and showing the tape in a first position, wherein translucency is indicated with oblique shading;
 FIG. 26 is a right side view of the design of FIG. 25;
 FIG. 27 is a left side view of the design of FIGS. 25 and 26;
 FIG. 28 is a top view of the design of FIGS. 25-27;
 FIG. 29 is a bottom view of the design of FIGS. 25-28;
 FIG. 30 is a front view of the design of FIGS. 25-29;
 FIG. 31 is a rear view of the design of FIGS. 25-30; and,
 FIG. 32 is a front and right side isometric view of the design of FIGS. 25-31 showing the tape in a second position.
 The broken line showing is for illustrative purposes only and forms no part of the claimed design.

1 Claim, 20 Drawing Sheets



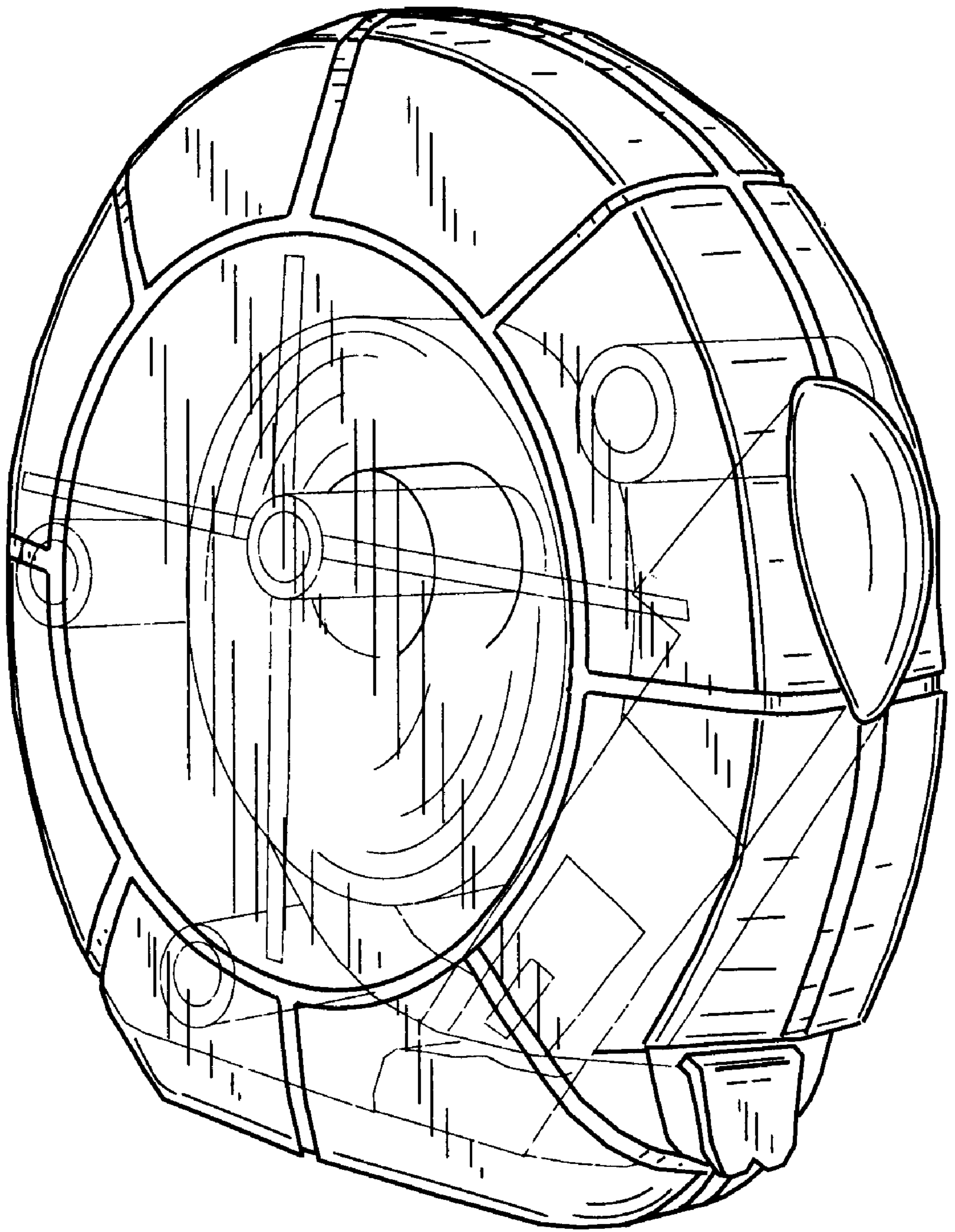


FIG. 1

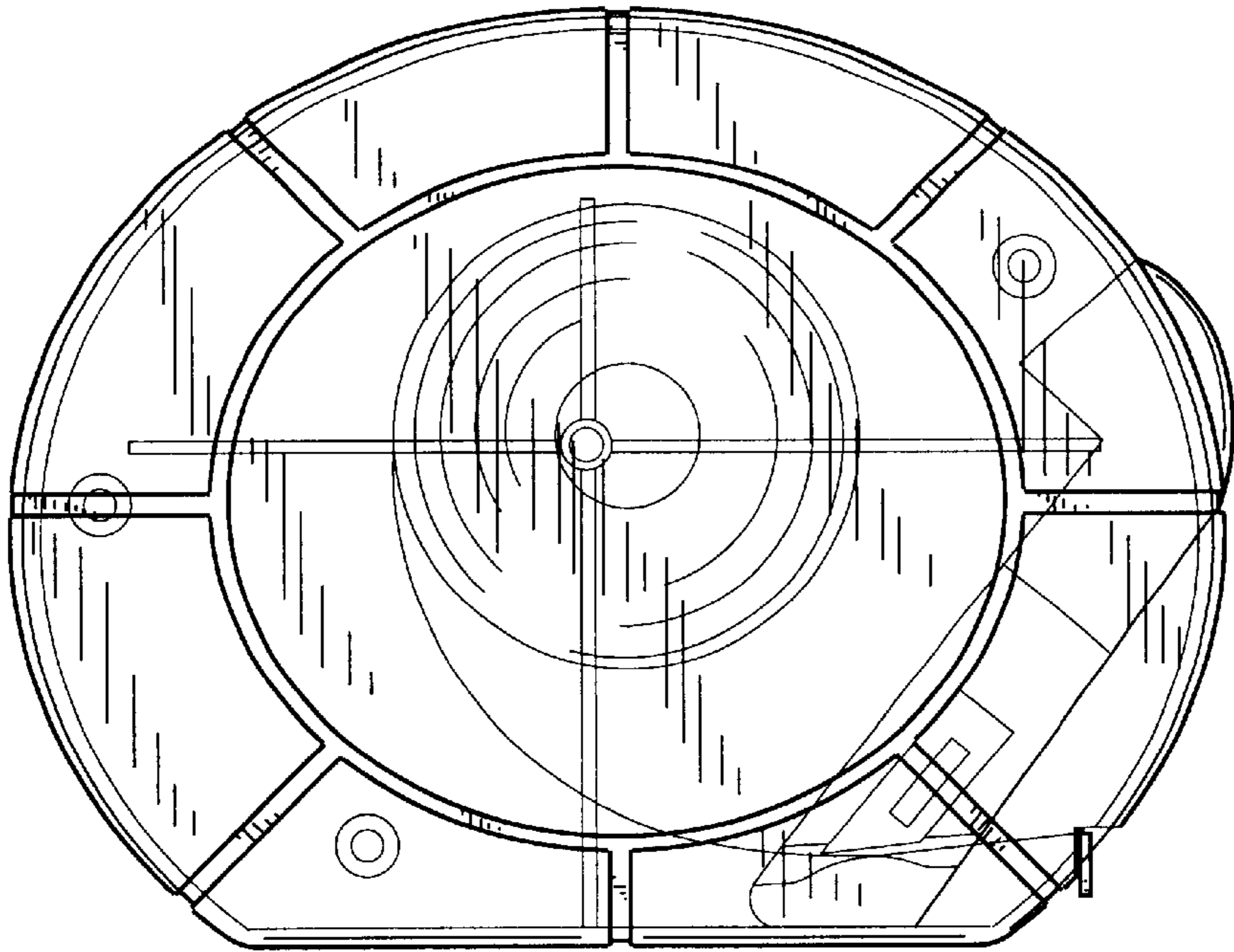


FIG. 2

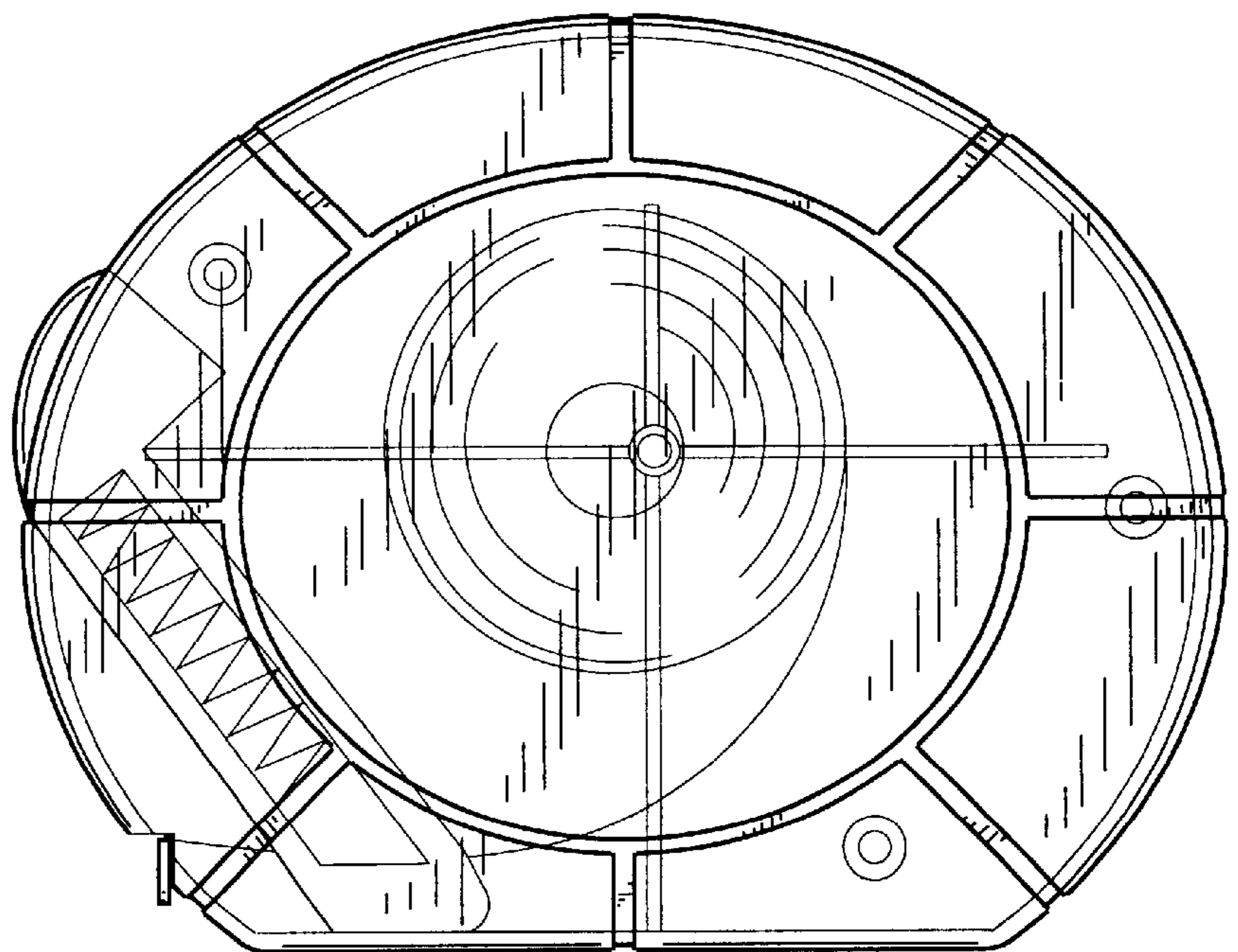


FIG. 3

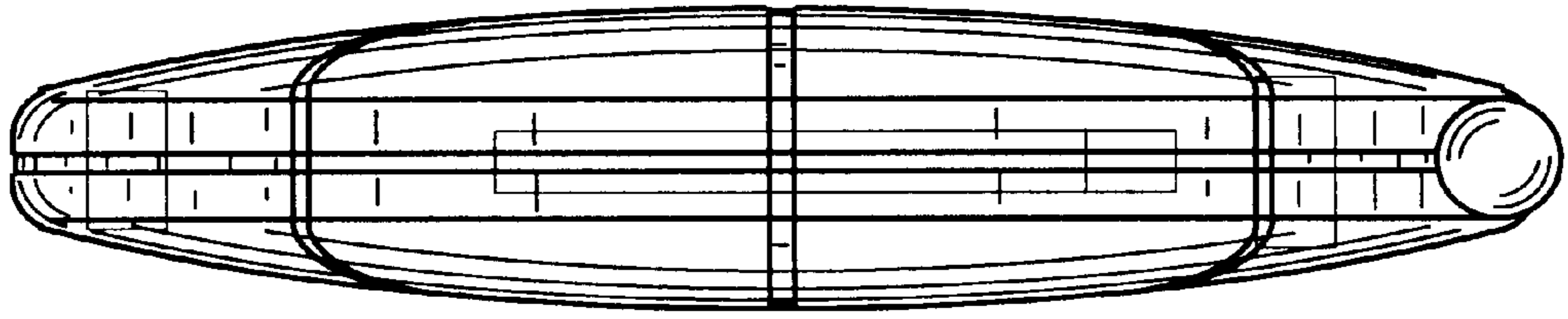


FIG. 4

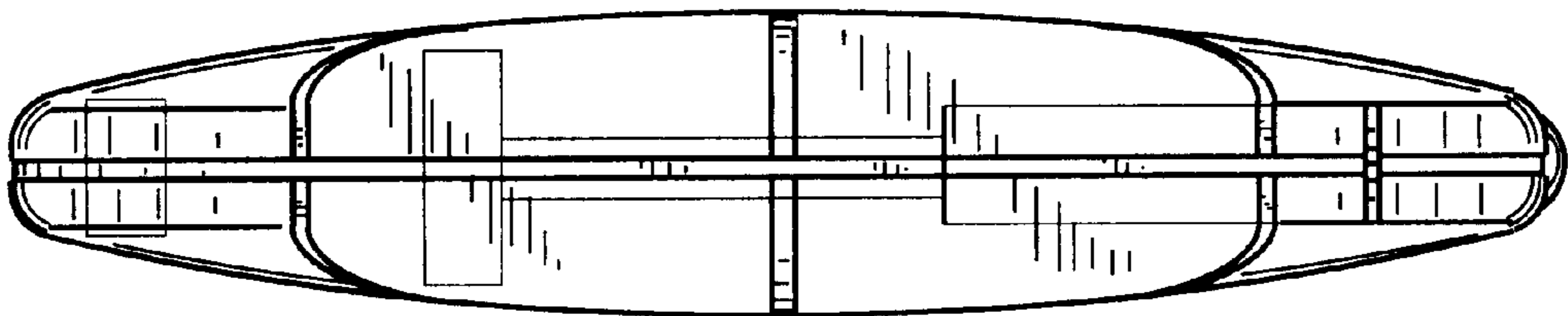


FIG. 5

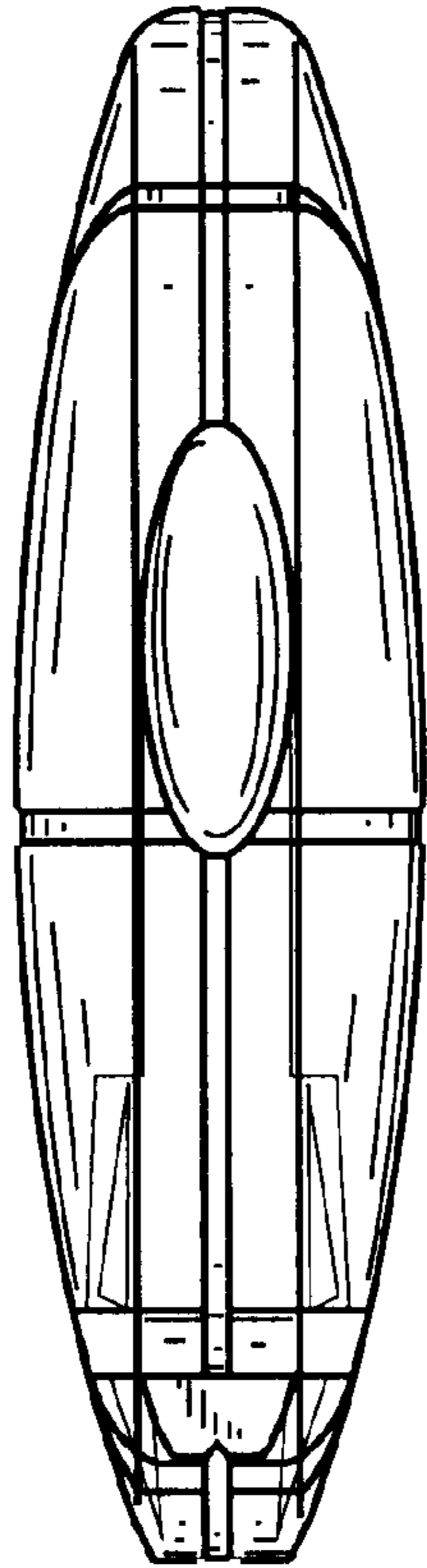


FIG. 6

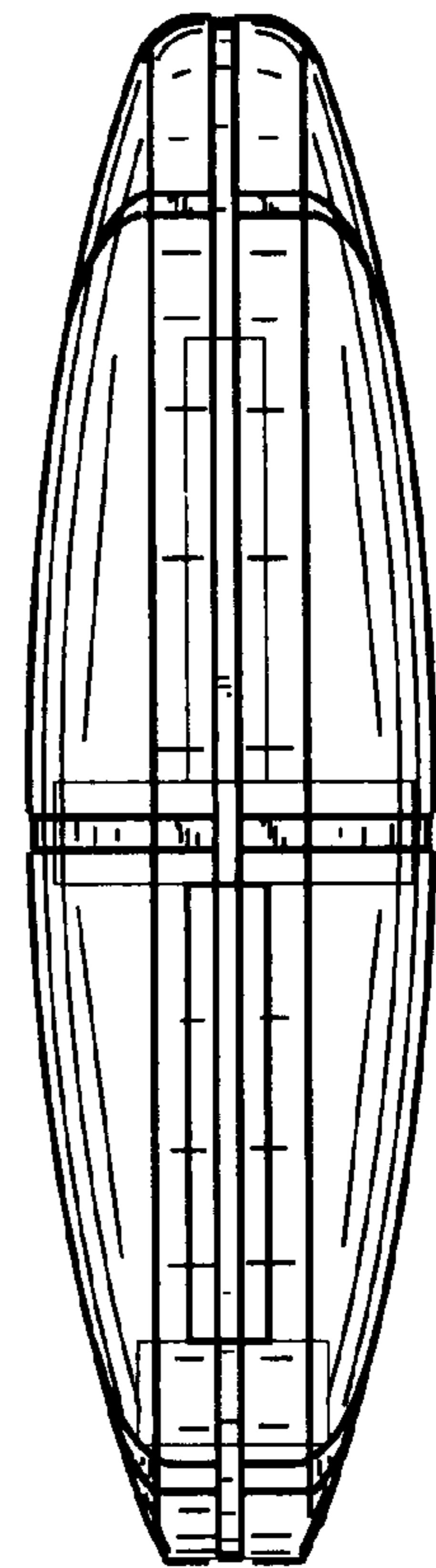


FIG. 7

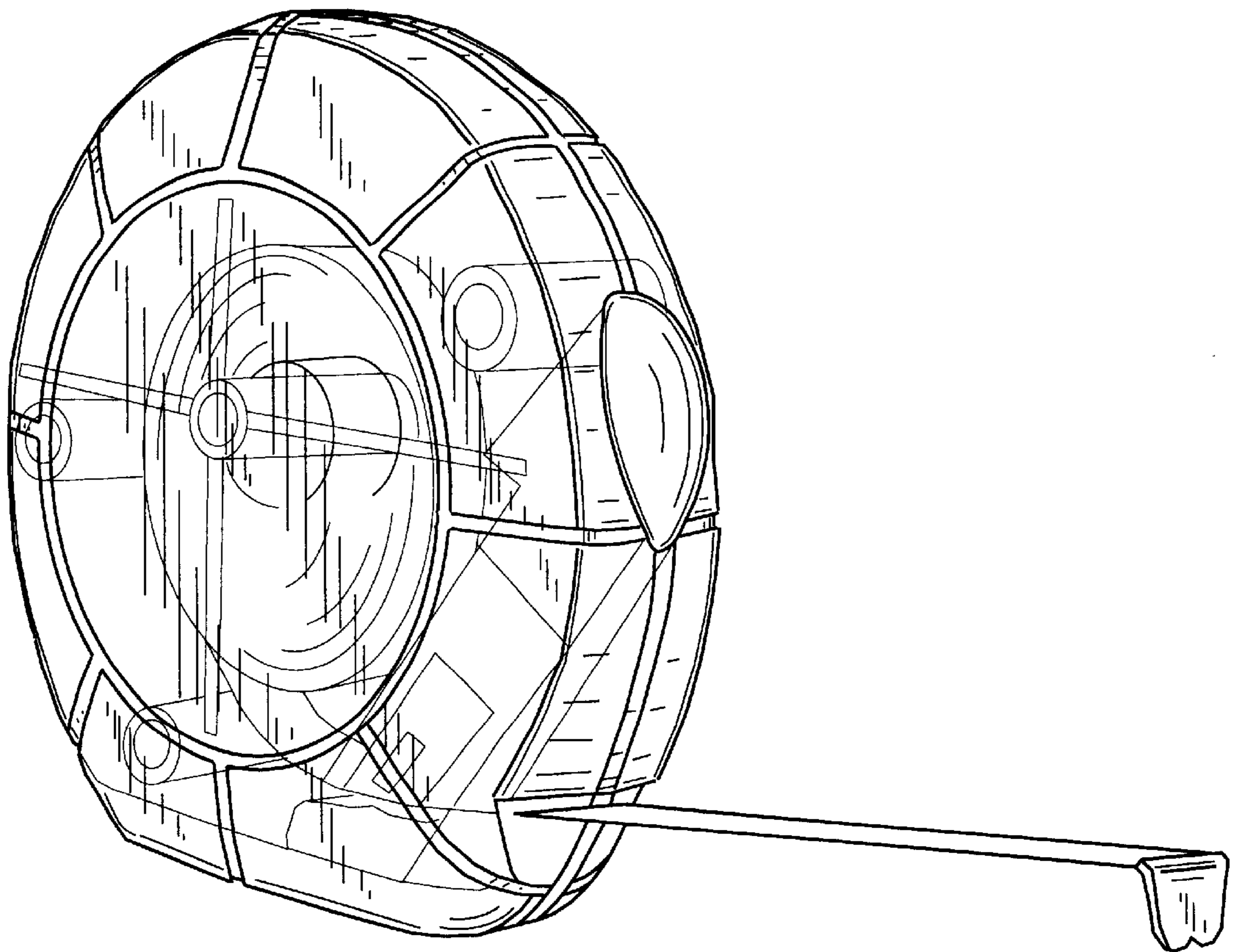


FIG. 8

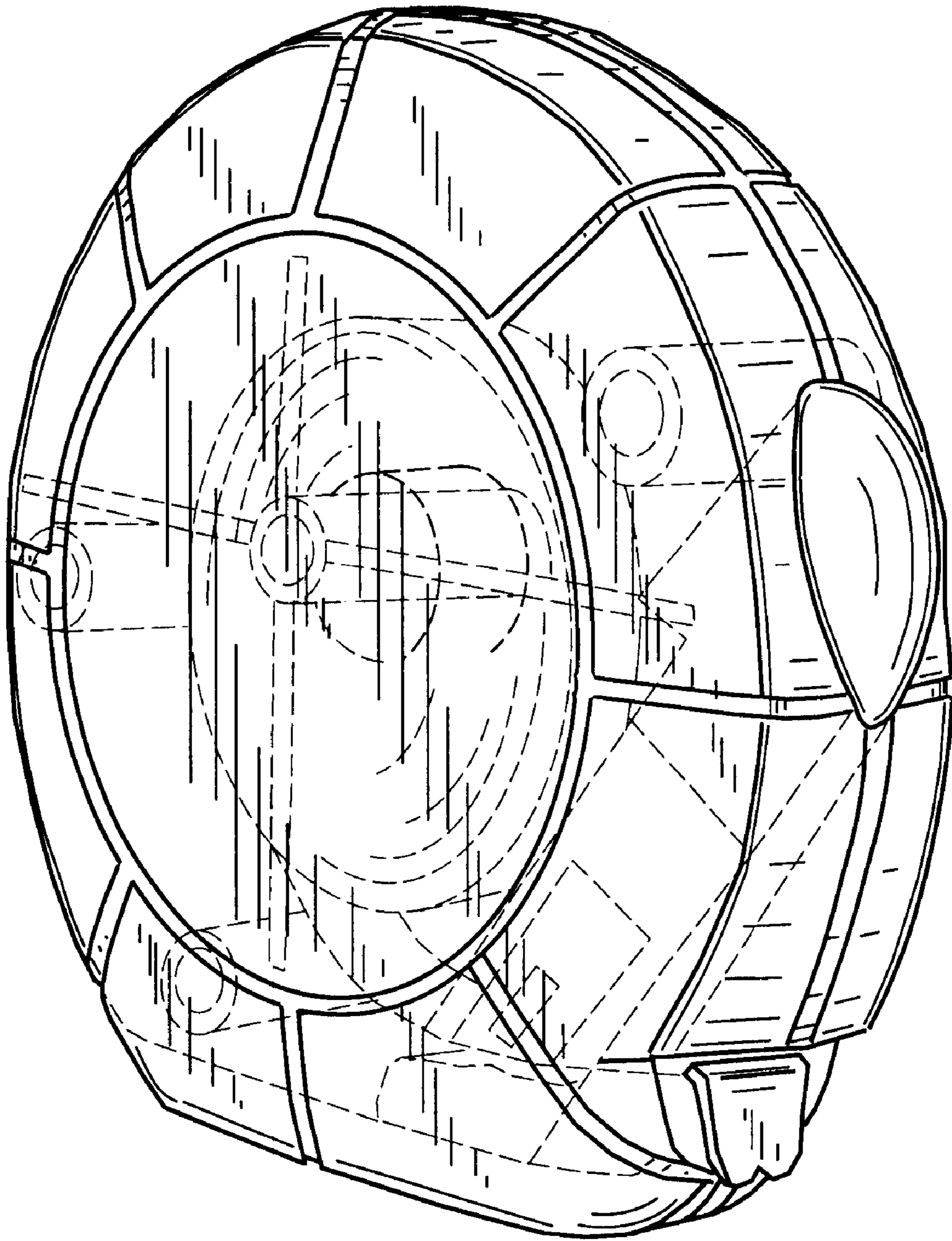


FIG. 9

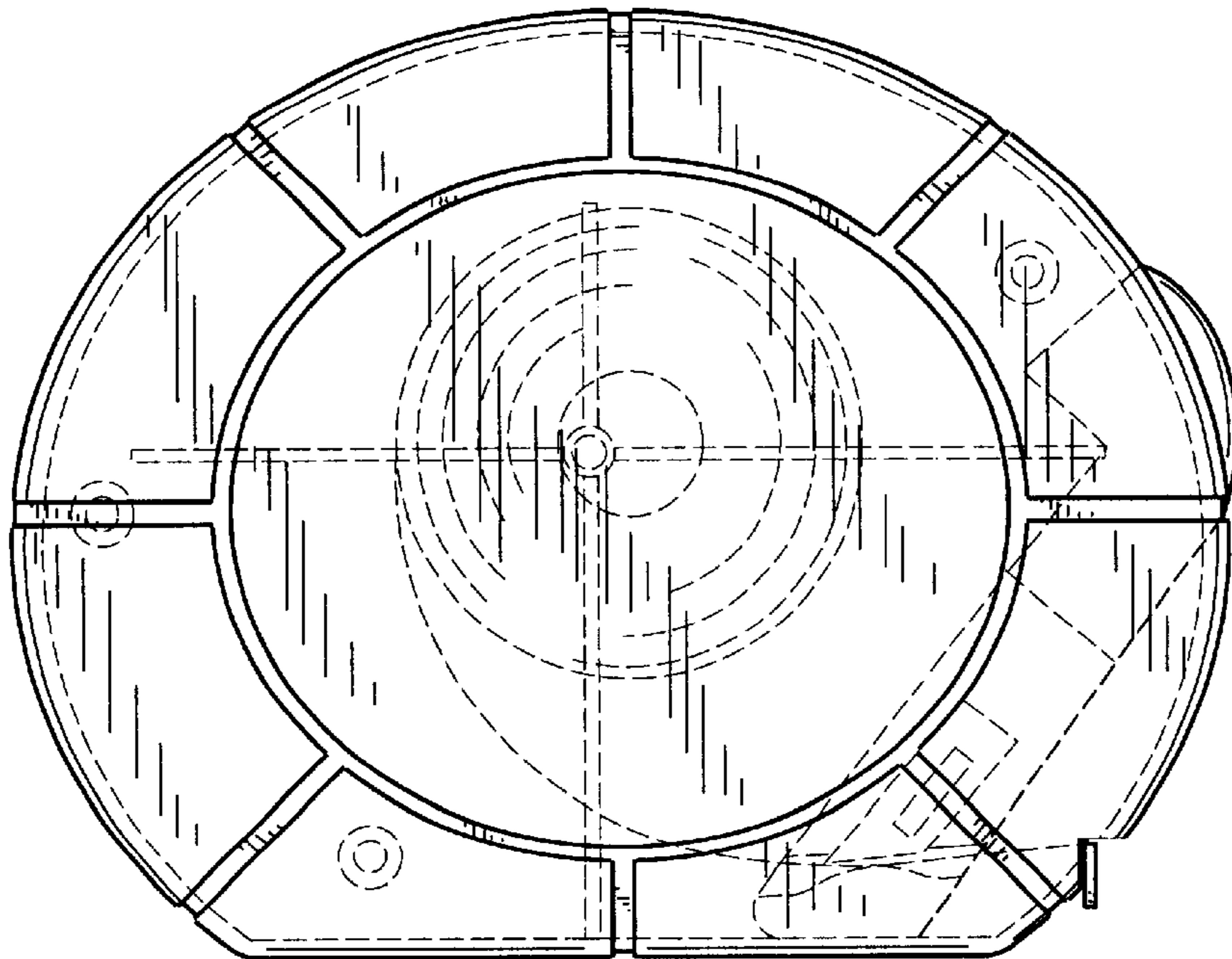


FIG. 10

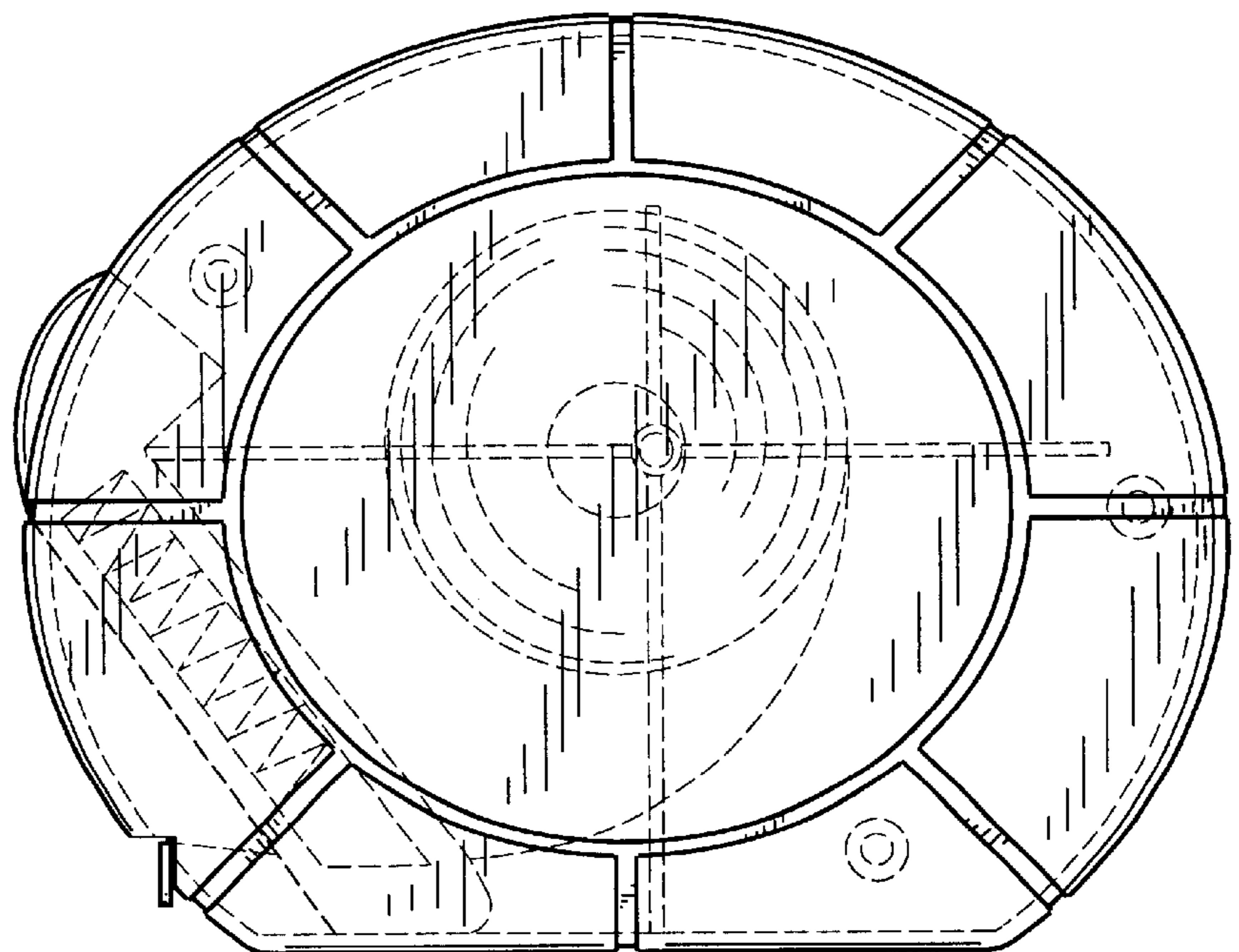


FIG. 11

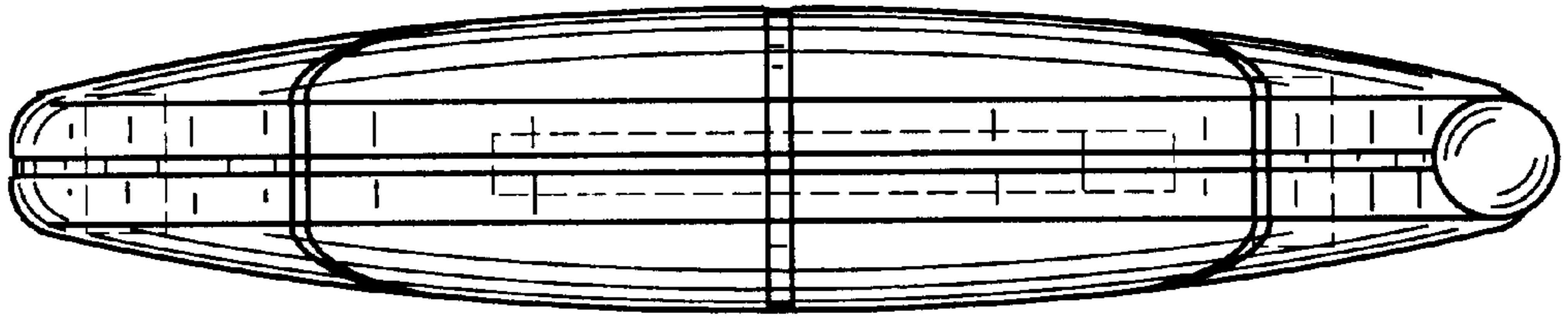


FIG. 12

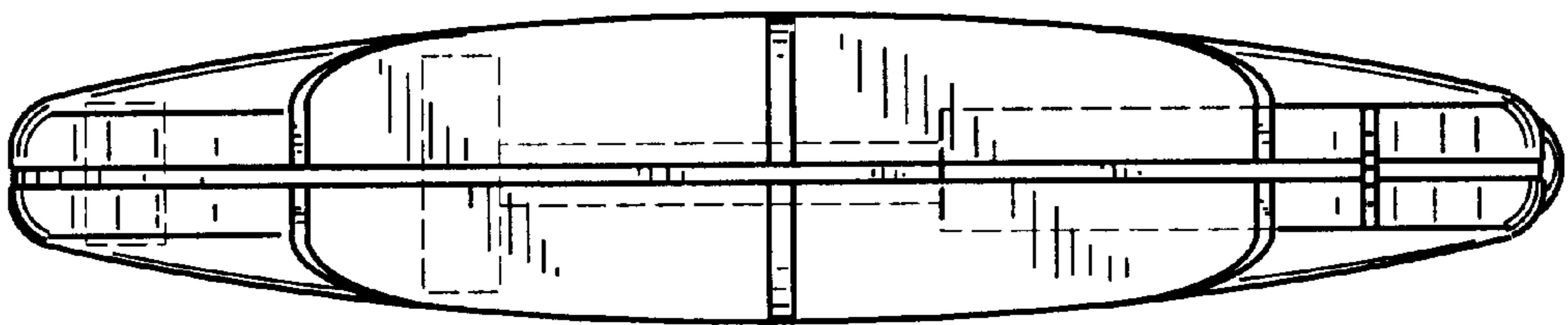


FIG. 13

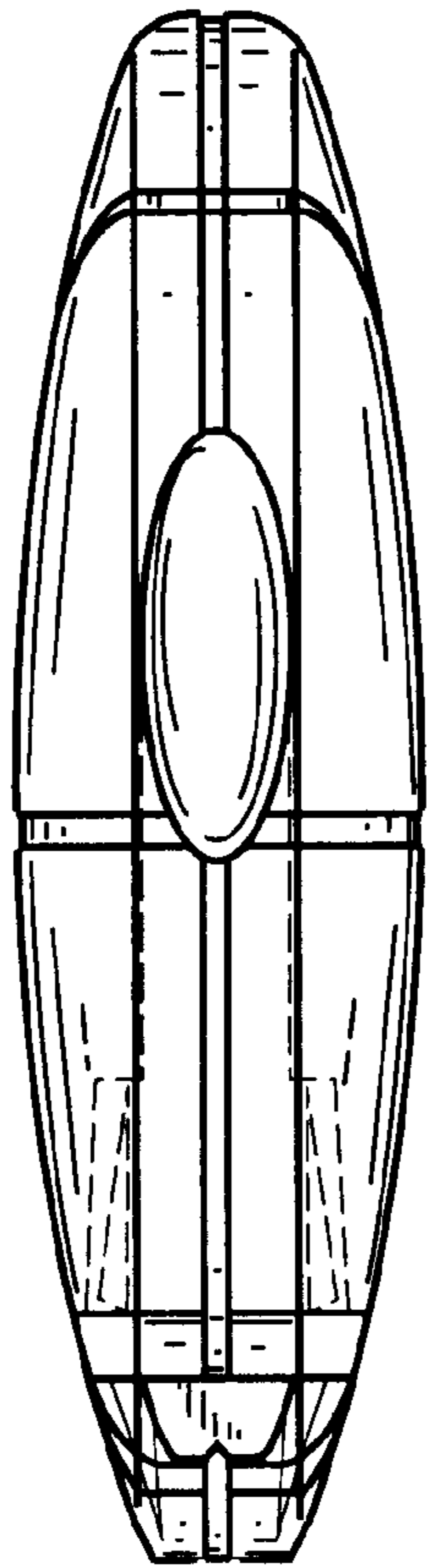


FIG. 14

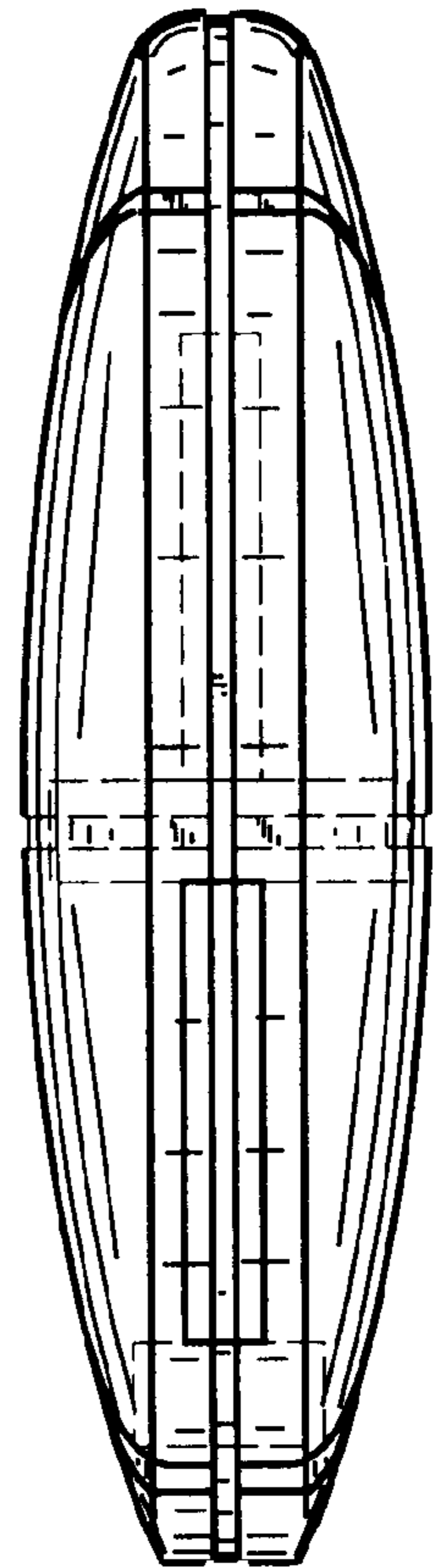


FIG. 15

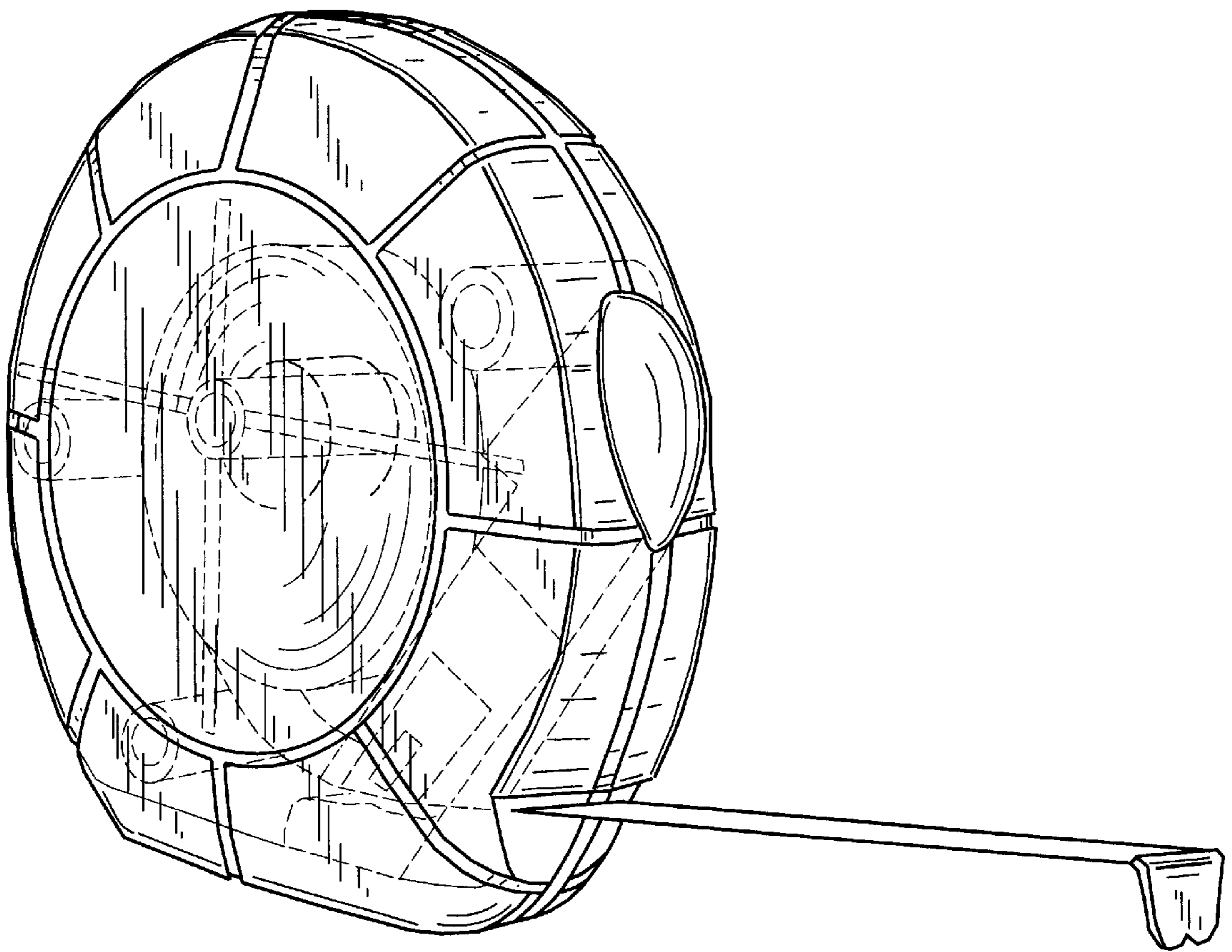


FIG. 16

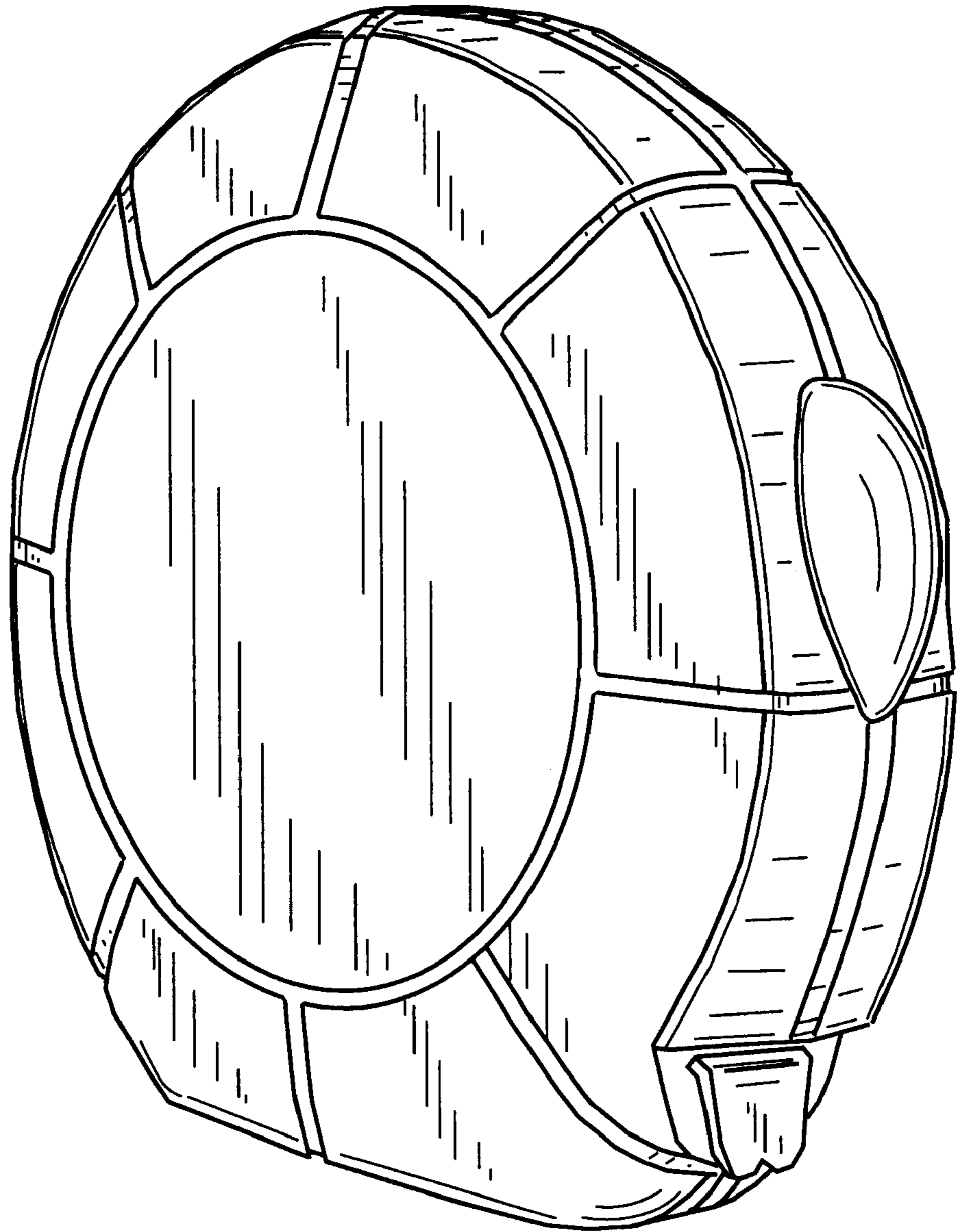


FIG. 17

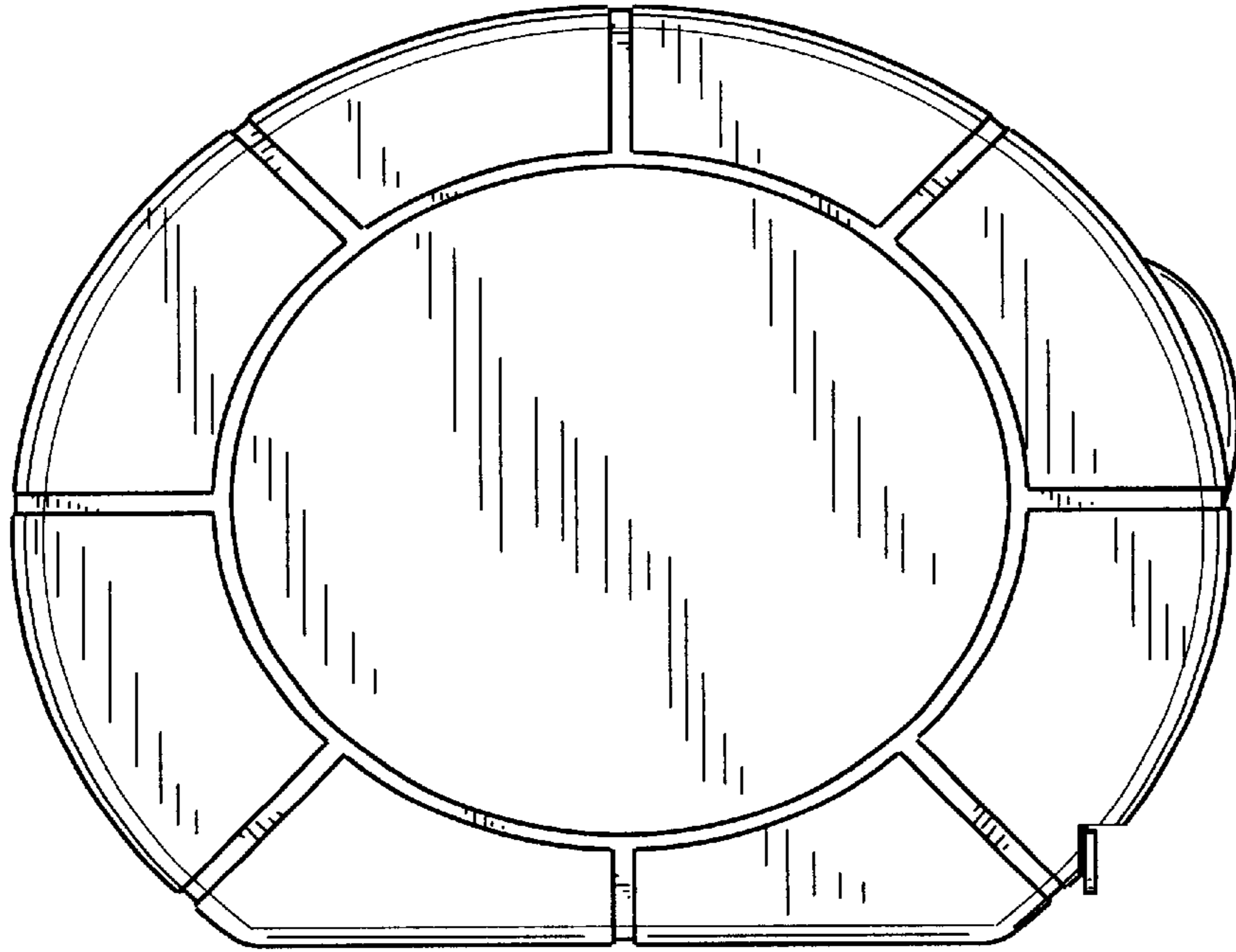


FIG. 18

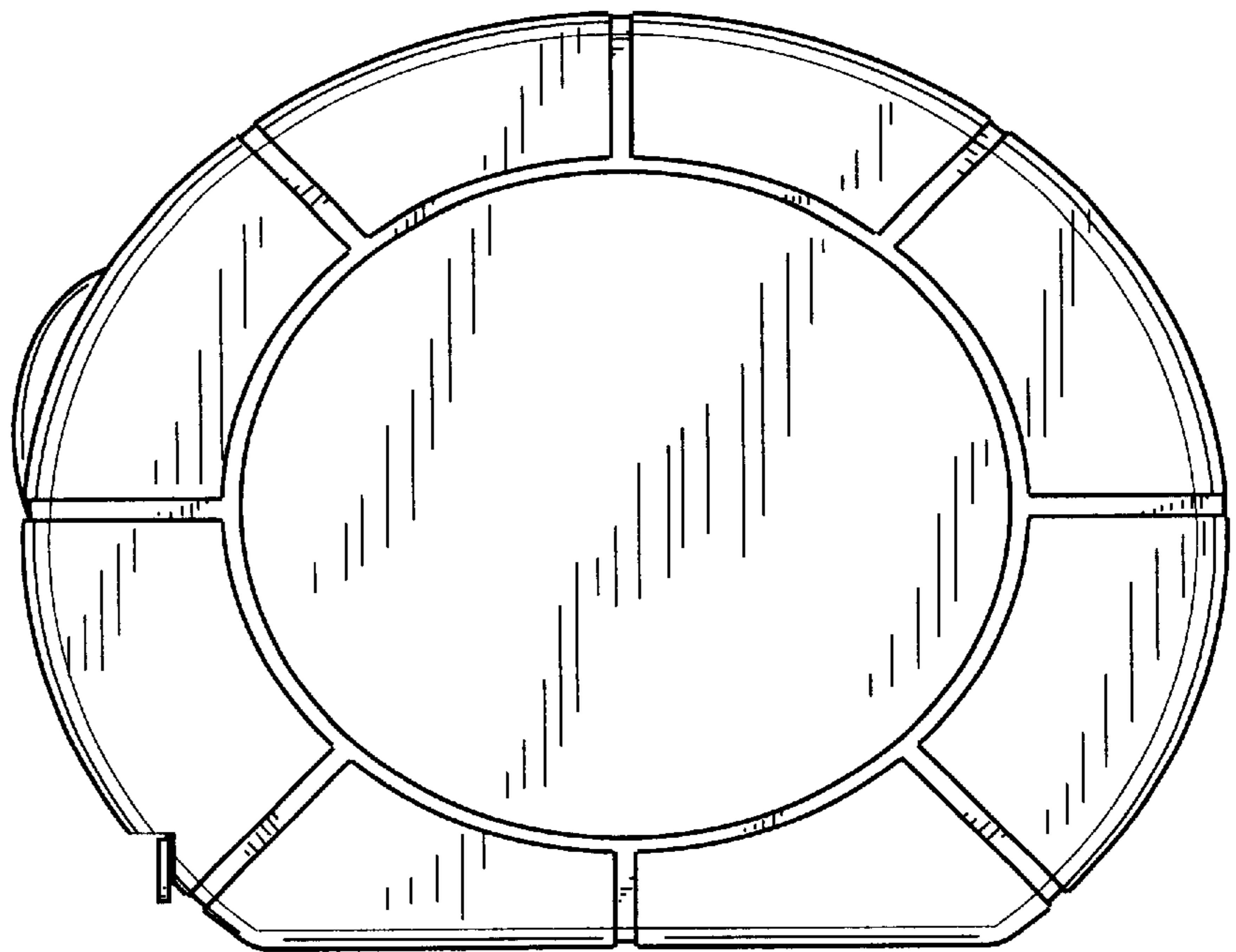


FIG. 19

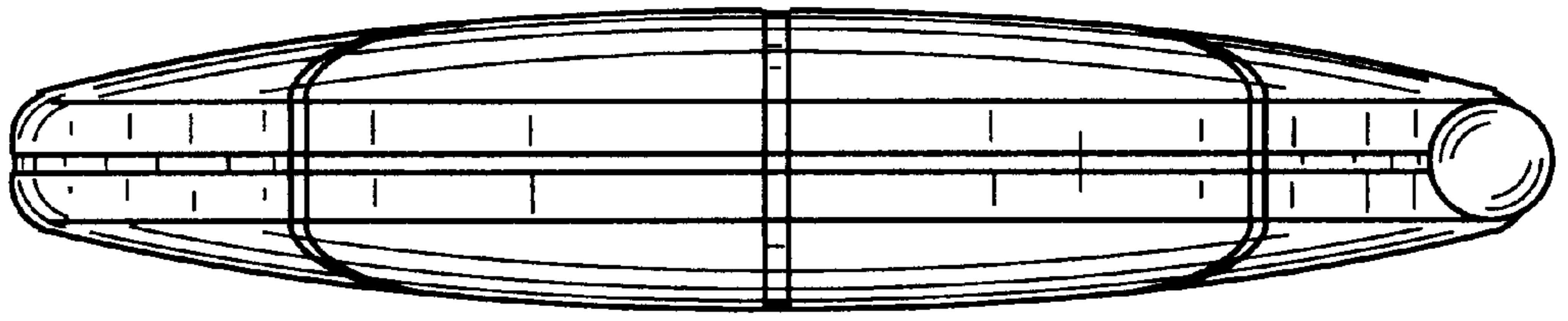


FIG. 20

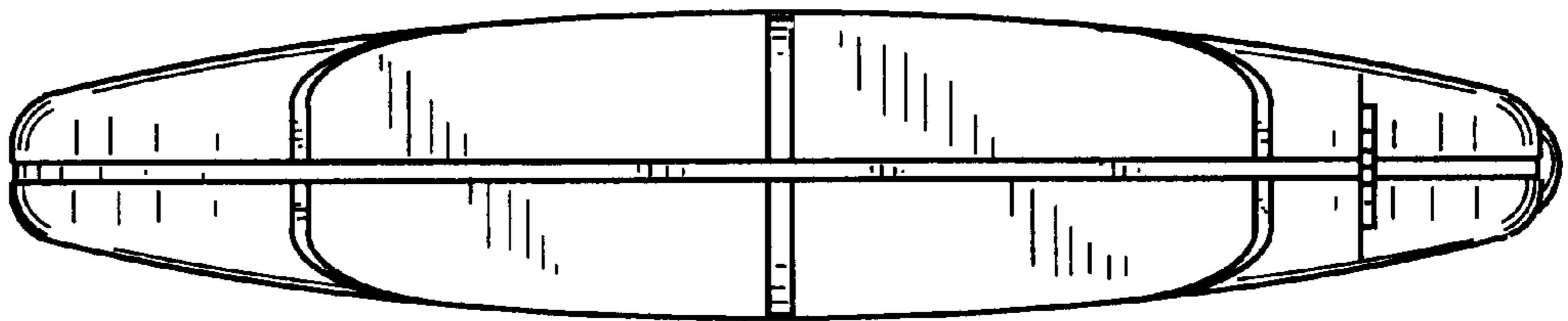


FIG. 21

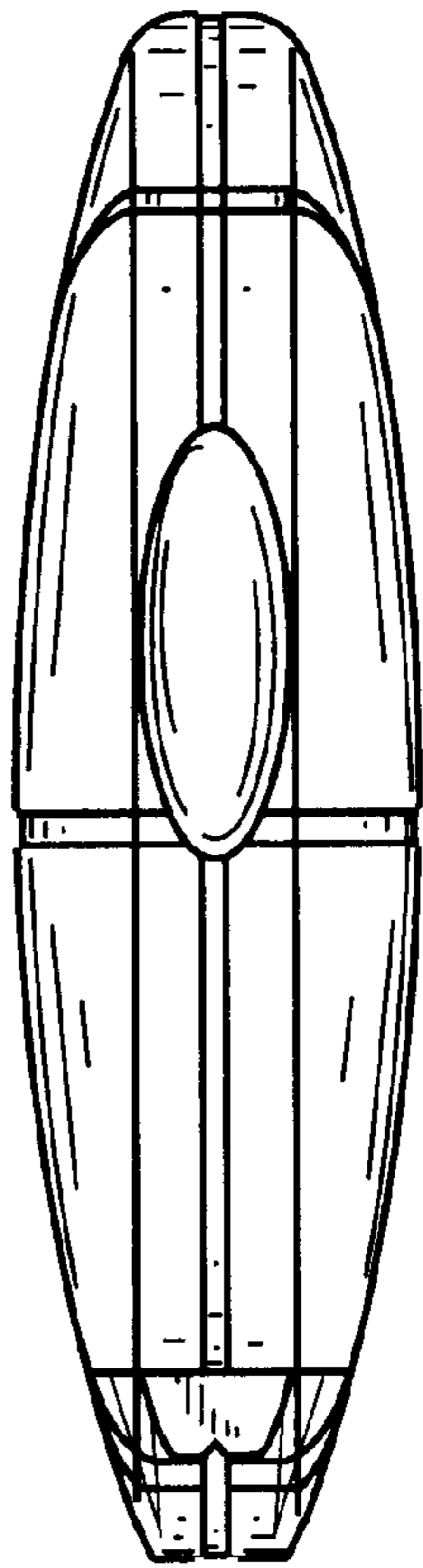


FIG. 22

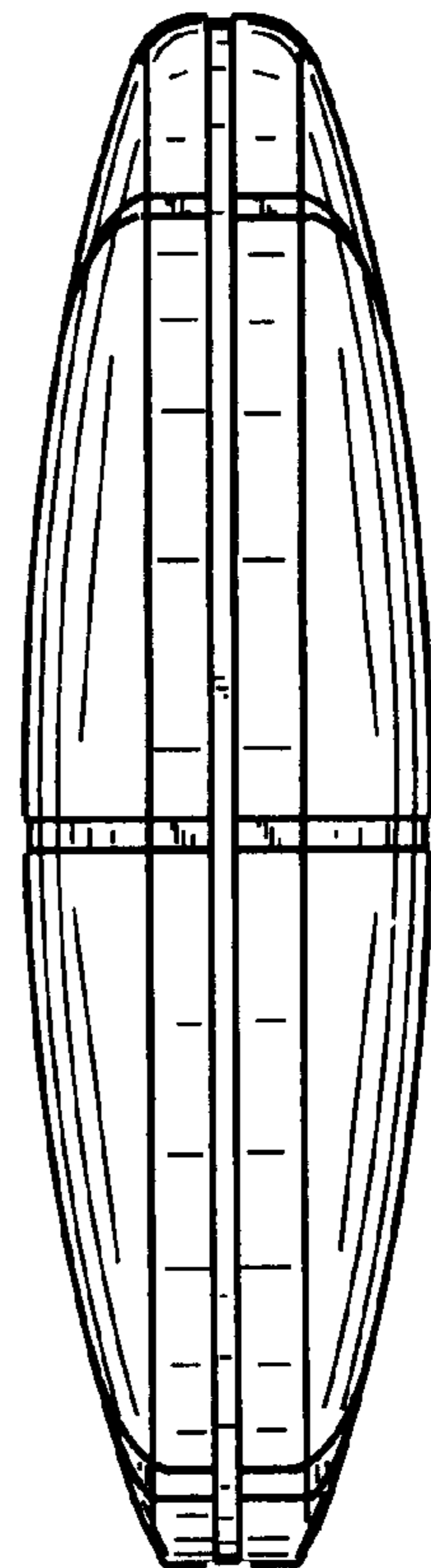


FIG. 23

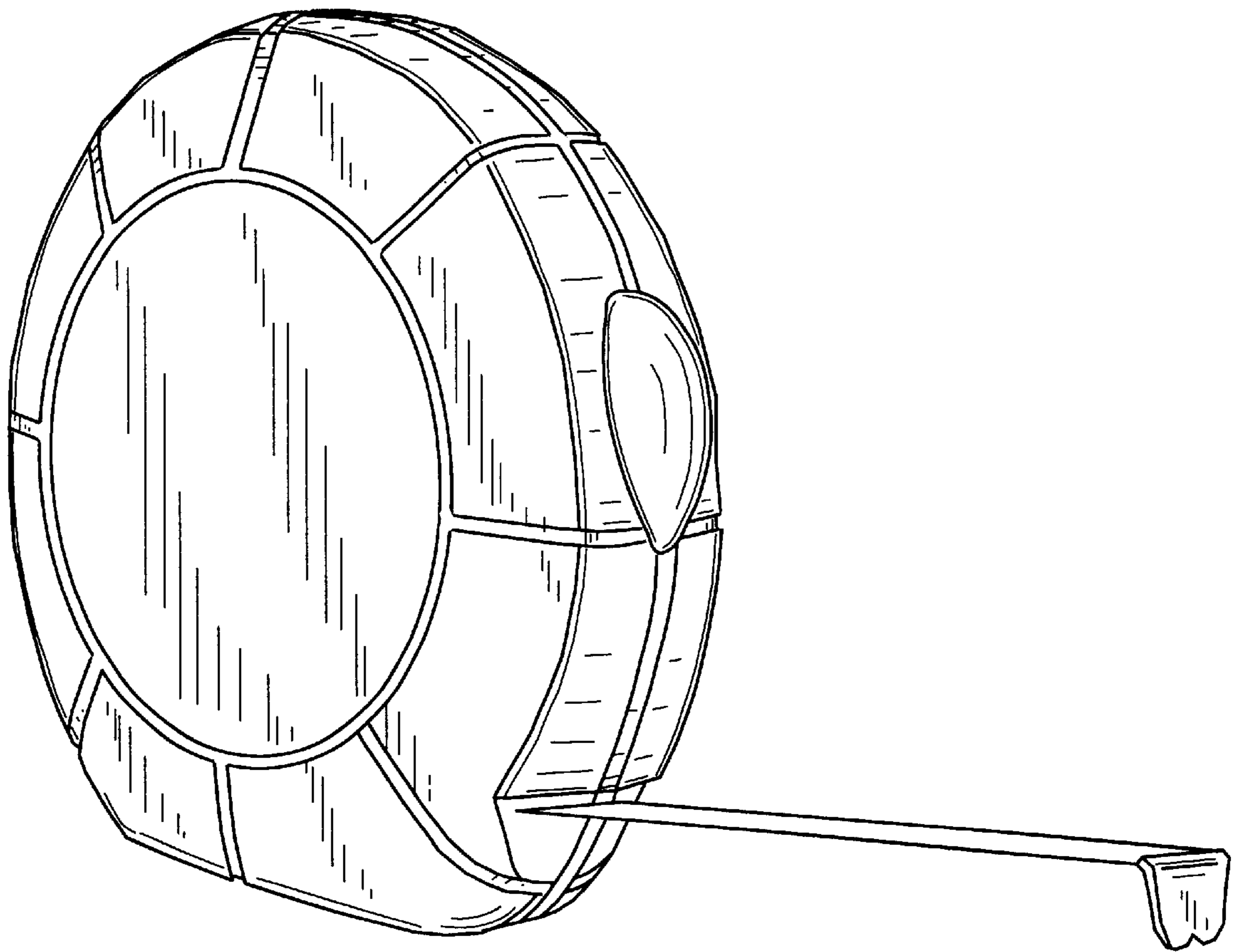


FIG. 24

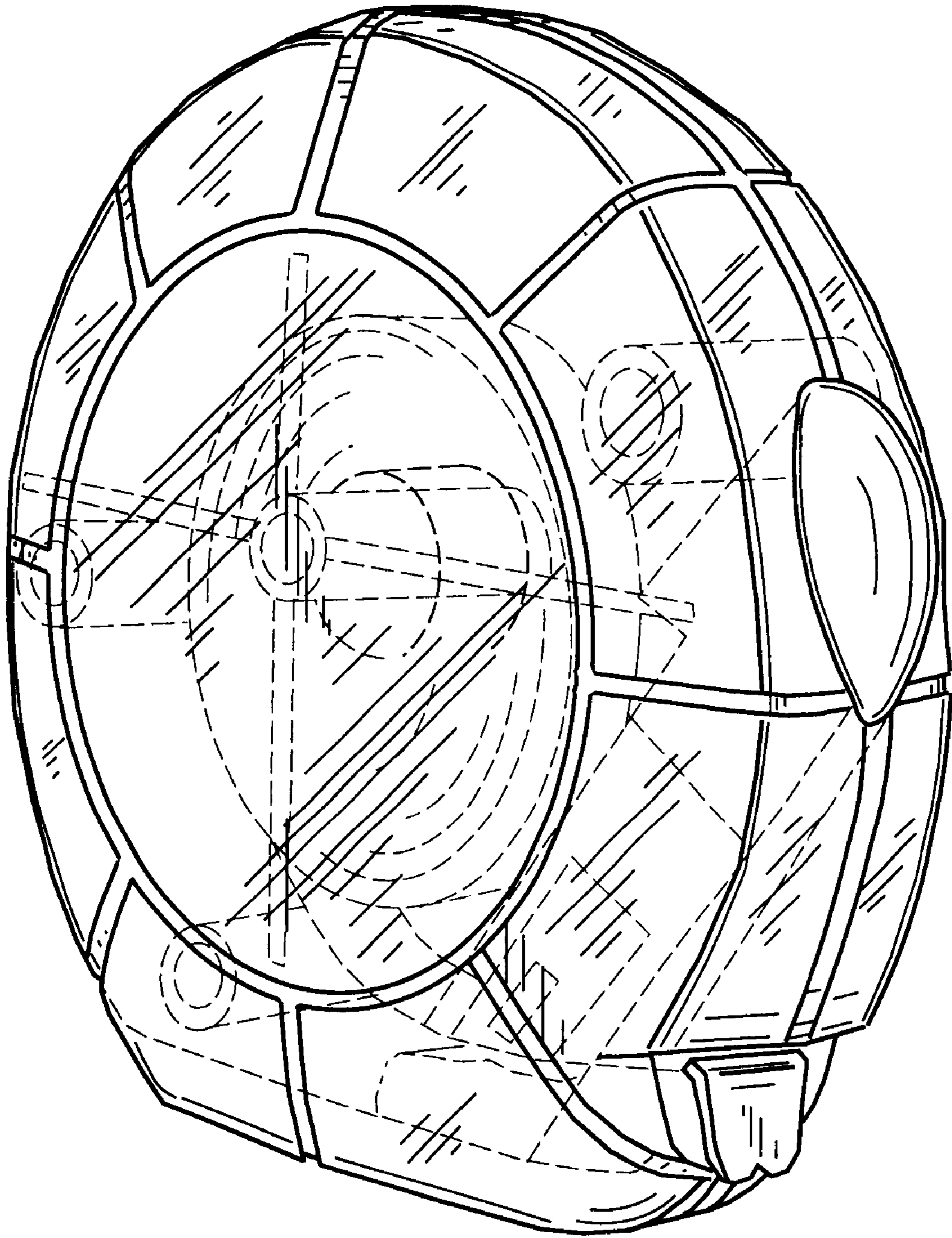


FIG. 25

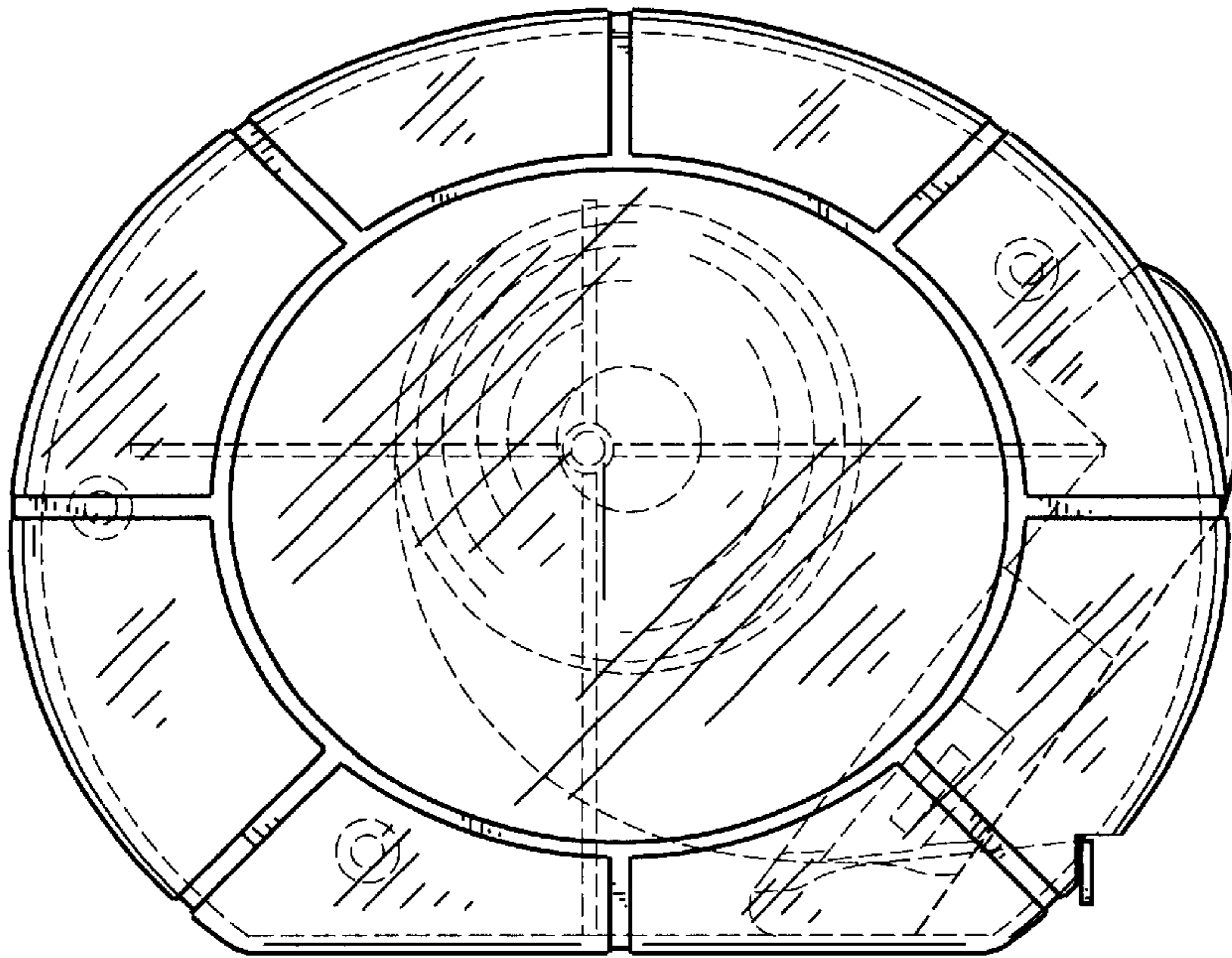


FIG. 26

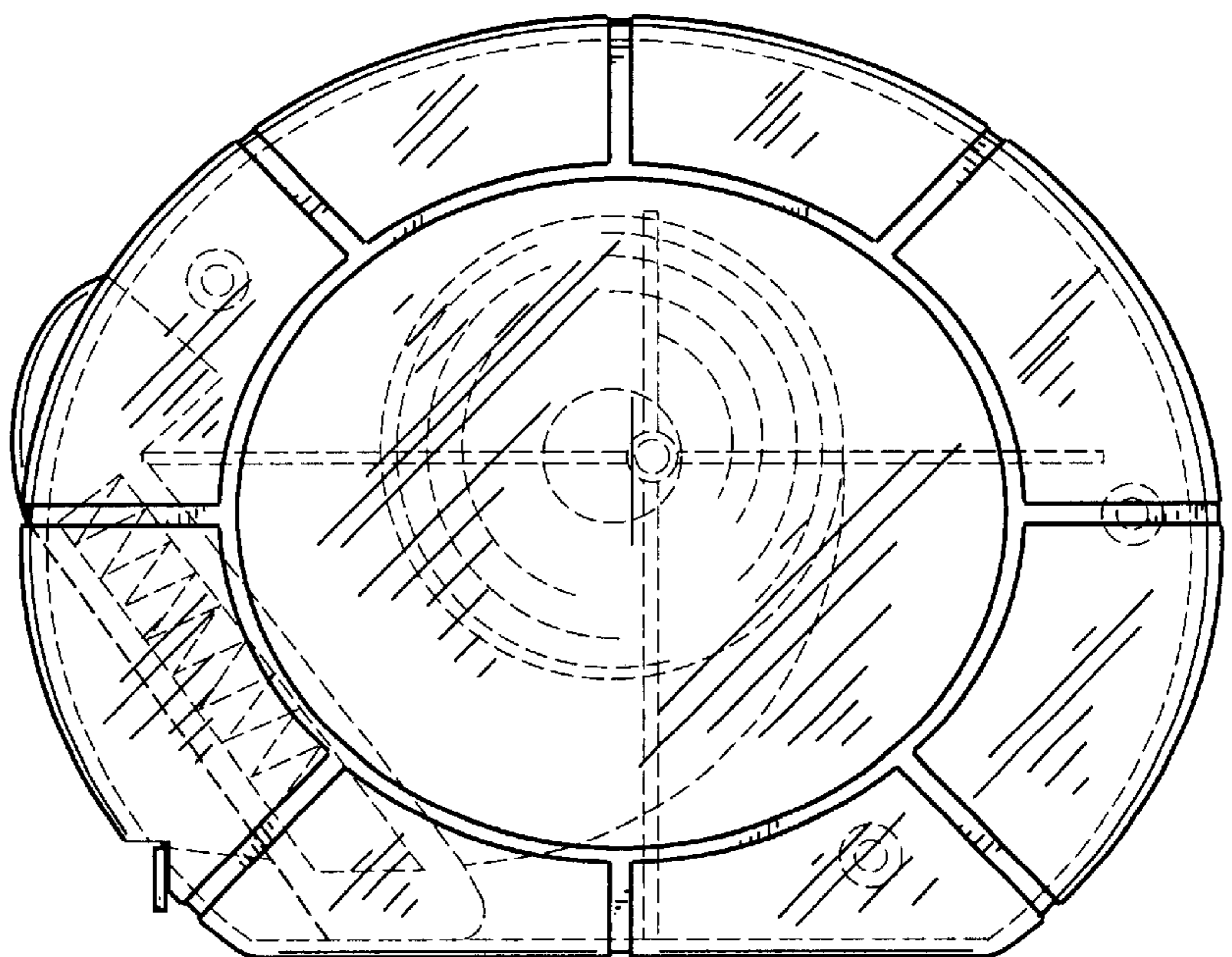


FIG. 27

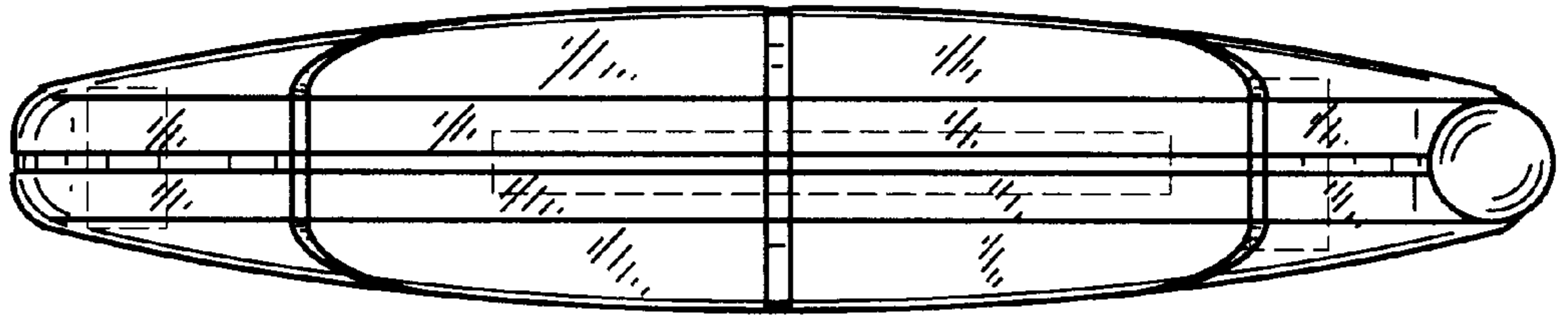


FIG. 28

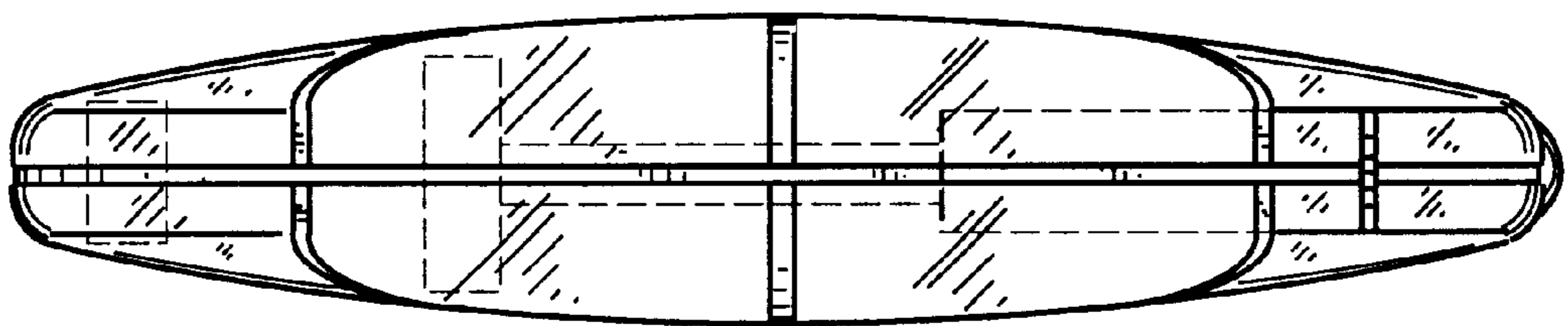


FIG. 29

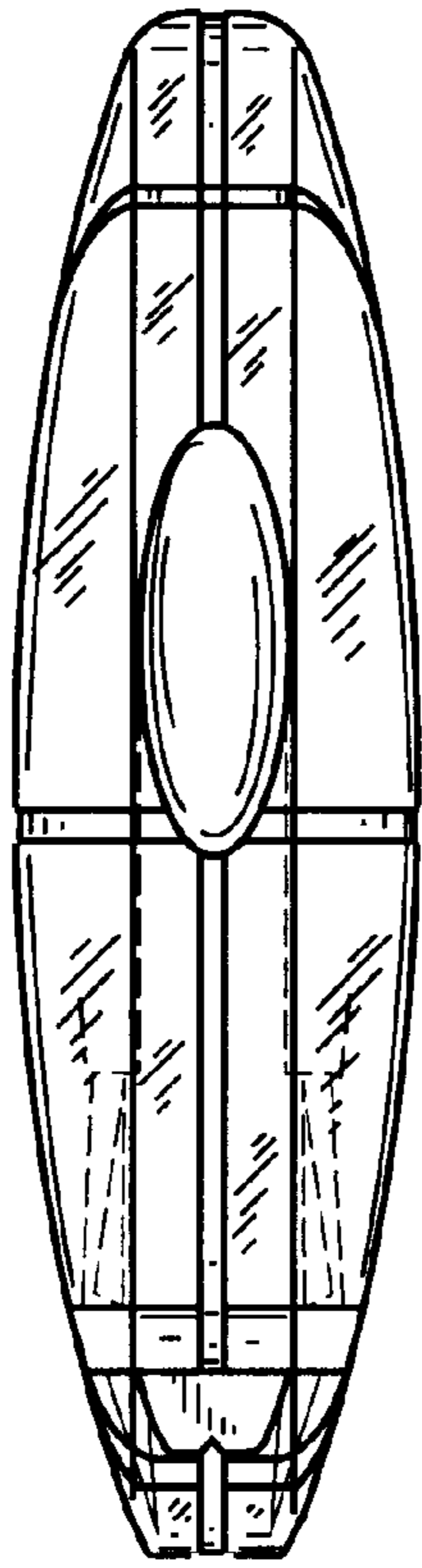


FIG. 30

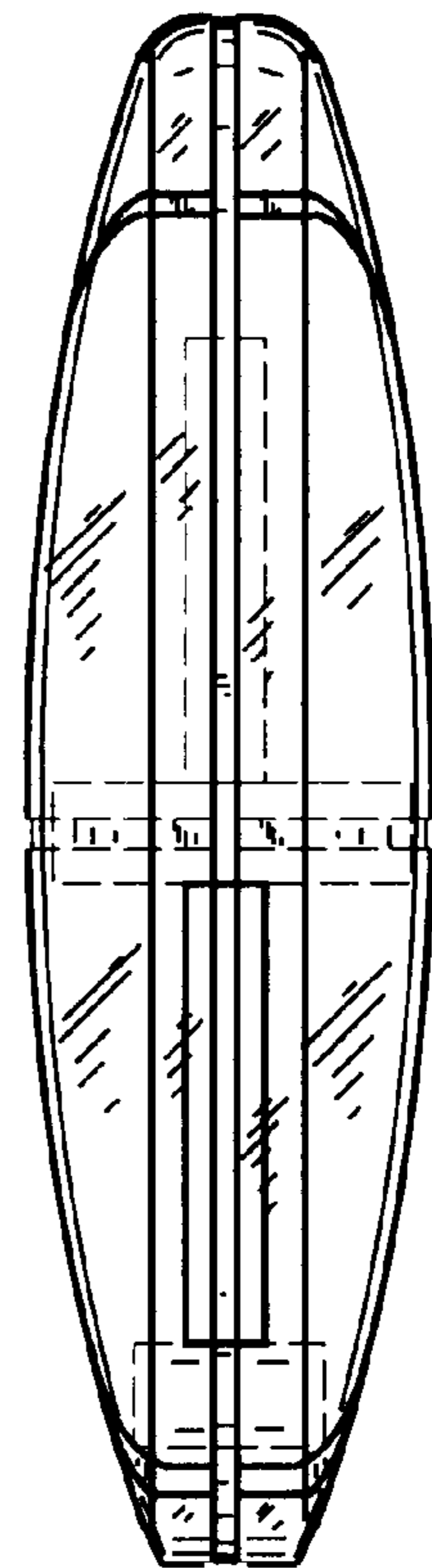


FIG. 31

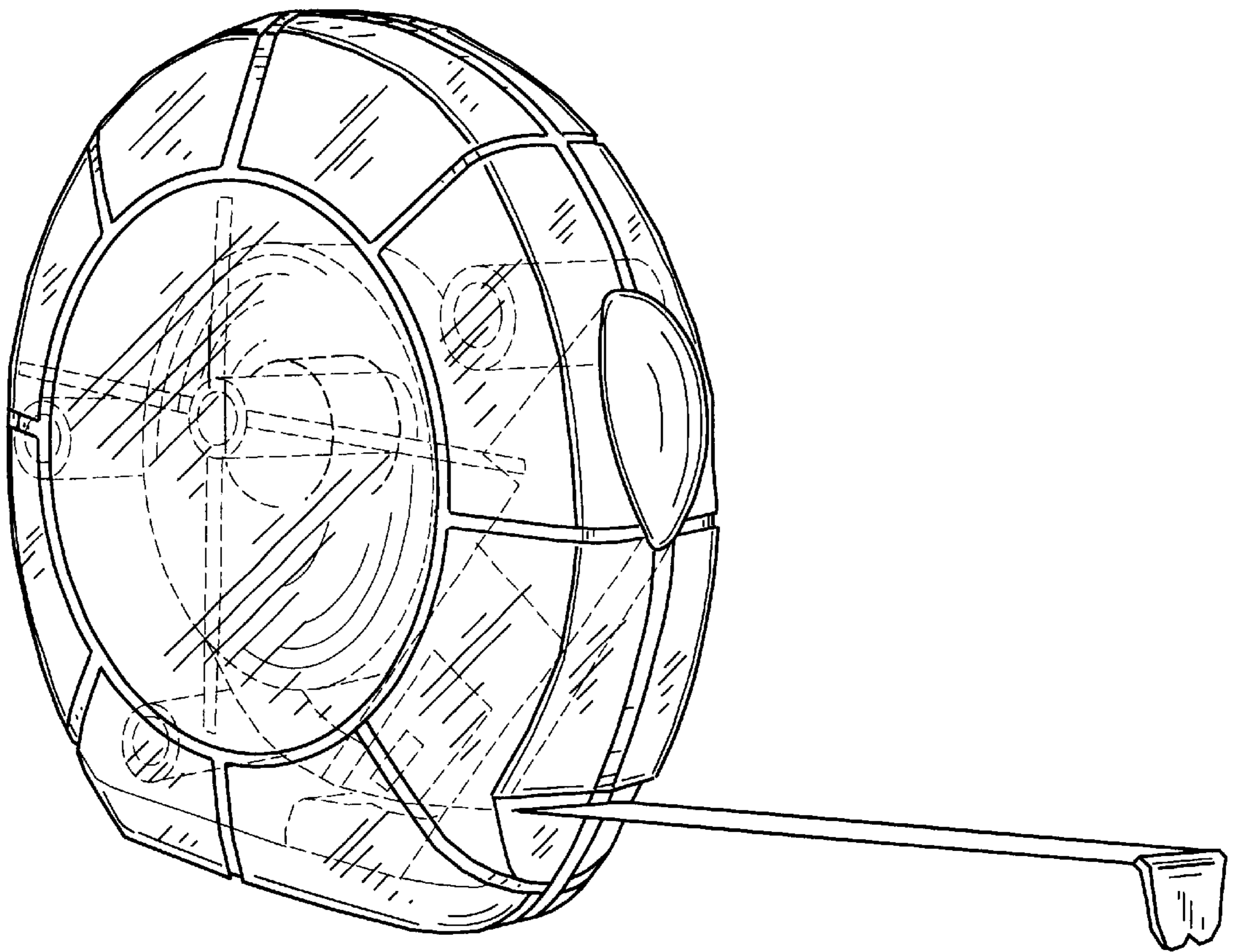


FIG. 32