



US00D462279S

(12) **United States Design Patent**
Minoli

(10) **Patent No.:** **US D462,279 S**

(45) **Date of Patent:** **** Sep. 3, 2002**

(54) **WATCHES**

(75) **Inventor:** **Francesco Minoli, Milan (IT)**

(73) **Assignee:** **Pomellato S.p.A., Milan (IT)**

(**) **Term:** **14 Years**

(21) **Appl. No.:** **29/142,283**

(22) **Filed:** **May 23, 2001**

(30) **Foreign Application Priority Data**

Nov. 29, 2000 (IT) MI0000829

(51) **LOC (7) Cl.** **10-02**

(52) **U.S. Cl.** **D10/39**

(58) **Field of Search** D10/1-39, 122-132;
368/276-277, 285, 281-282; D11/3-25;
63/1-11, 3, 5

(56) **References Cited**

U.S. PATENT DOCUMENTS

D269,502 S * 6/1983 Tanaka D10/38
D293,287 S * 12/1987 Cauque et al. D3/208
D325,876 S * 5/1992 Klepper D10/31
D402,567 S * 12/1998 Gueit D10/32

OTHER PUBLICATIONS

Jeweler's Circular—Keystone—Jun. 1978—p. 80—watch
at top-right.*

Swiss Watch & Jewelry Journal—Apr. 1985—p. 480—
watch at left.*

* cited by examiner

Primary Examiner—Nelson C. Holtje

(74) *Attorney, Agent, or Firm*—Guido Modiano; Albert
Josif; Daniel O'Byrne

(57) **CLAIM**

The ornamental design for the watches, as shown and
described.

DESCRIPTION

FIG. 1 is a perspective view of the watch, showing my new
design;

FIG. 2 is a view thereof, taken from above;

FIG. 3 is a view thereof, taken from below;

FIG. 4 is a right side view thereof;

FIG. 5 is a left side view, thereof;

FIG. 6 is a front view thereof;

FIG. 7 is a rear view thereof;

FIG. 8 is a perspective view of the watch according to a
second embodiment;

FIG. 9 is a view thereof, taken from above;

FIG. 10 is a view thereof, taken from below;

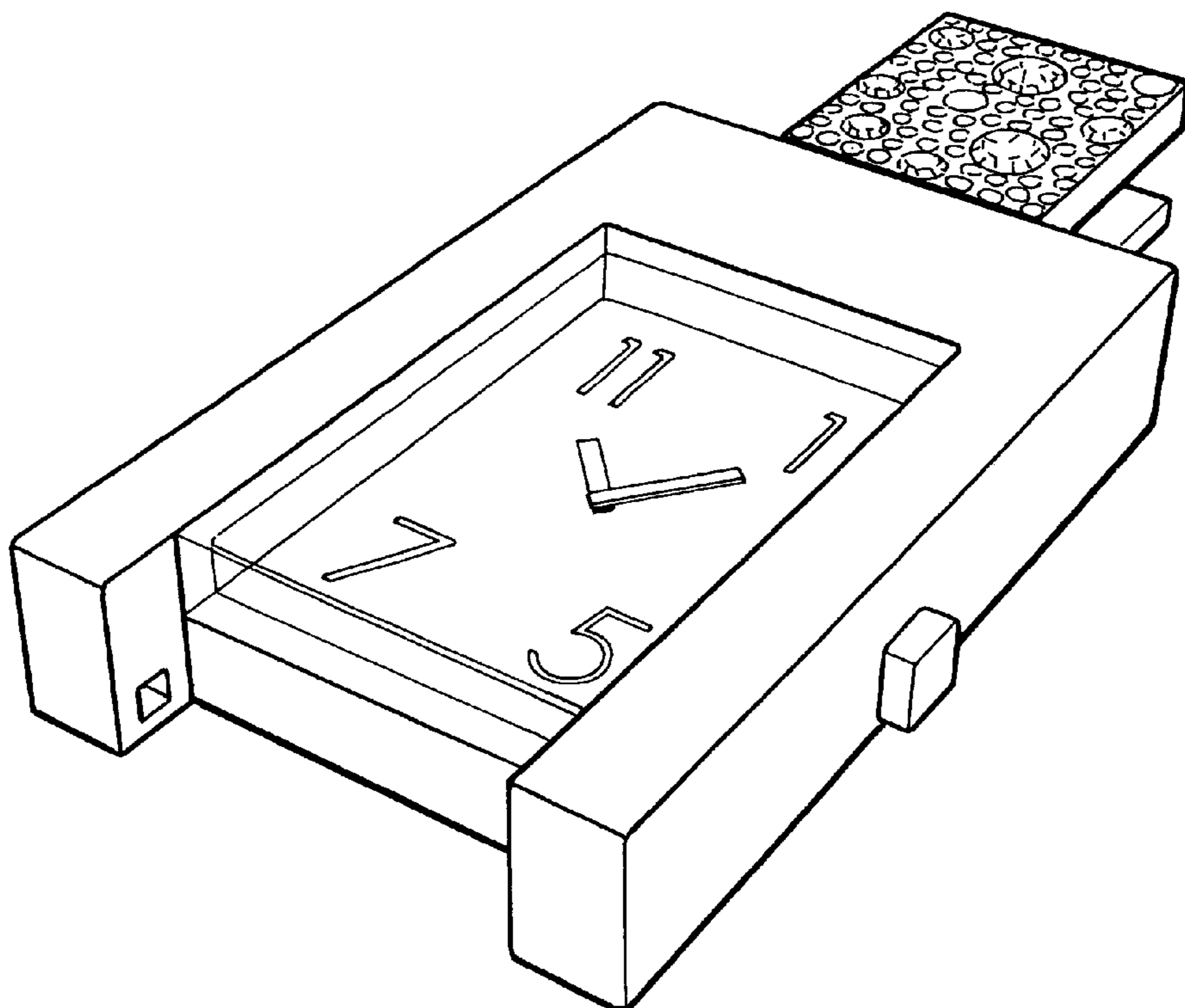
FIG. 11 is a right side view thereof;

FIG. 12 is a left side view, thereof;

FIG. 13 is a front view thereof; and,

FIG. 14 is a rear view thereof.

1 Claim, 4 Drawing Sheets



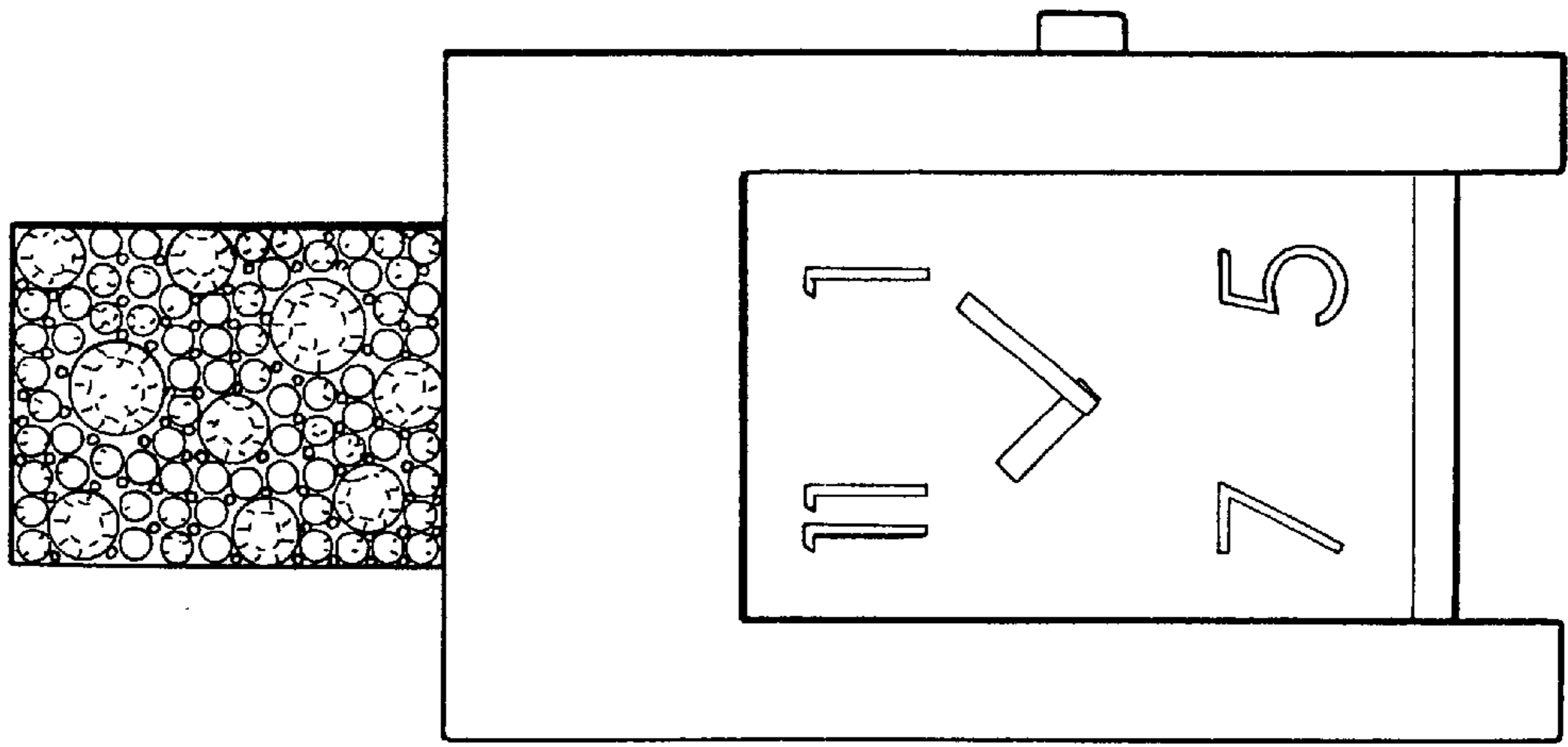


FIG. 2

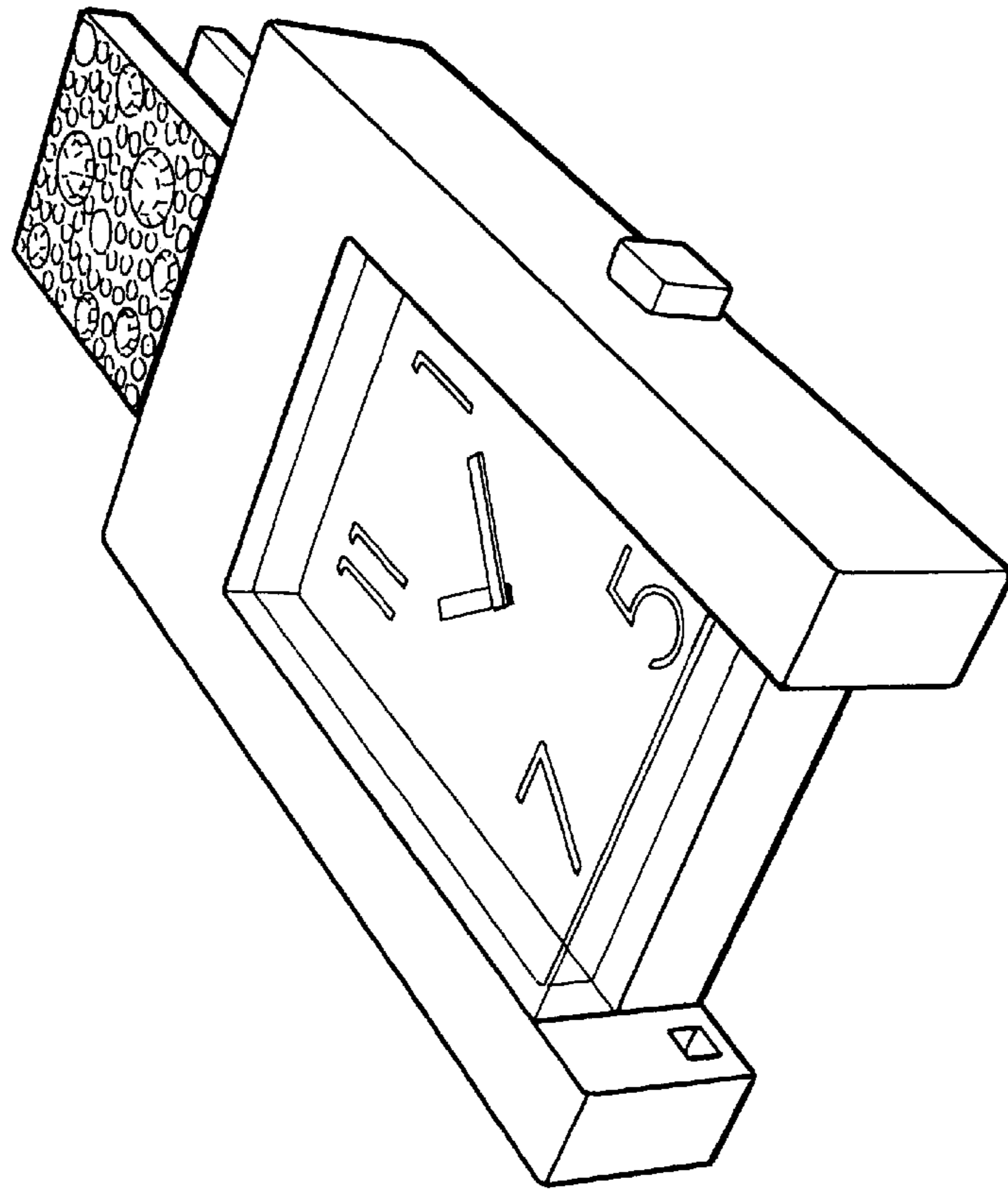


FIG. 1

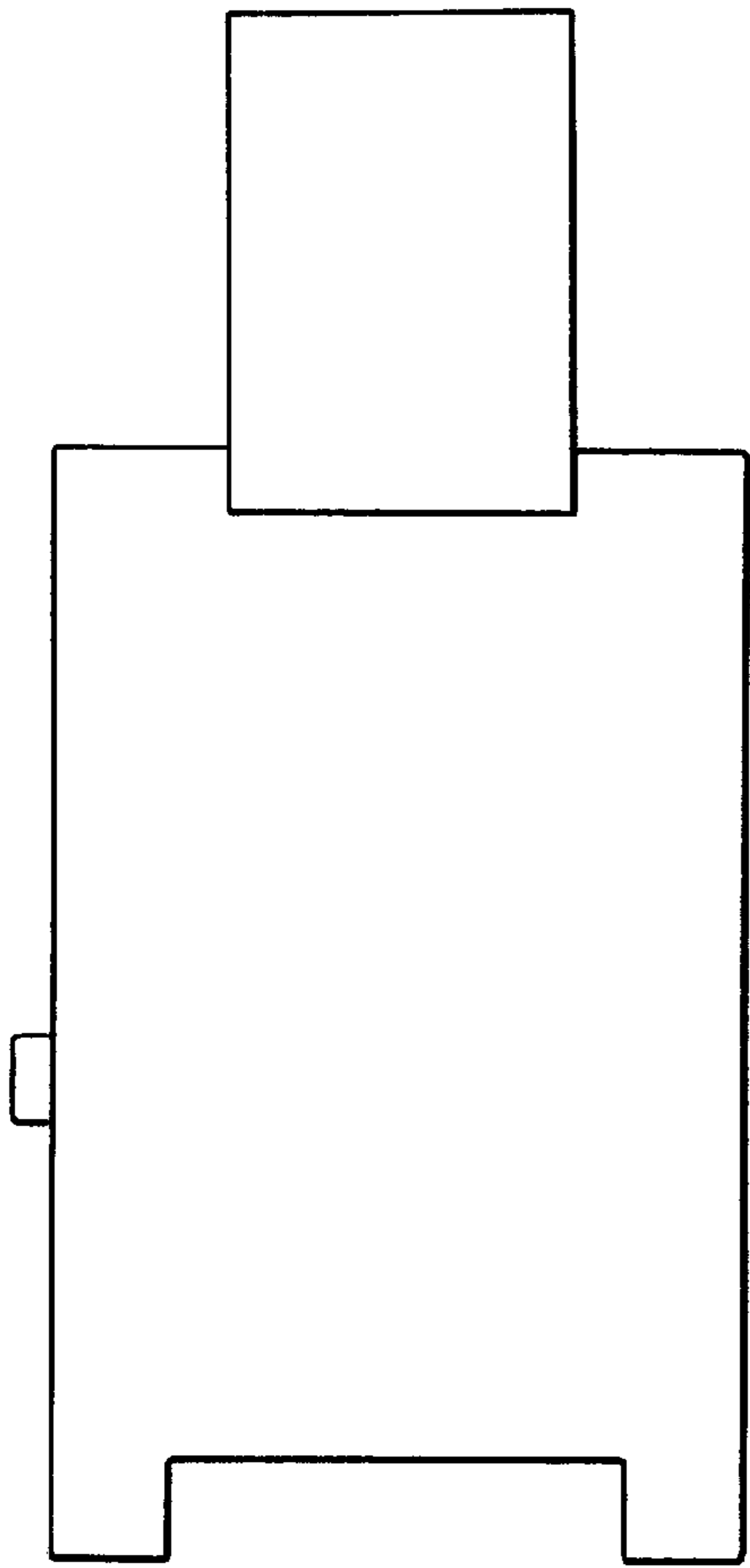


FIG. 3

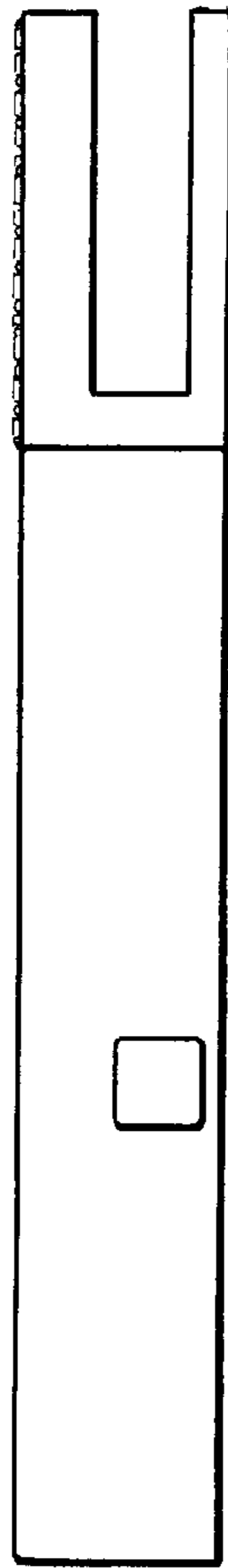


FIG. 4

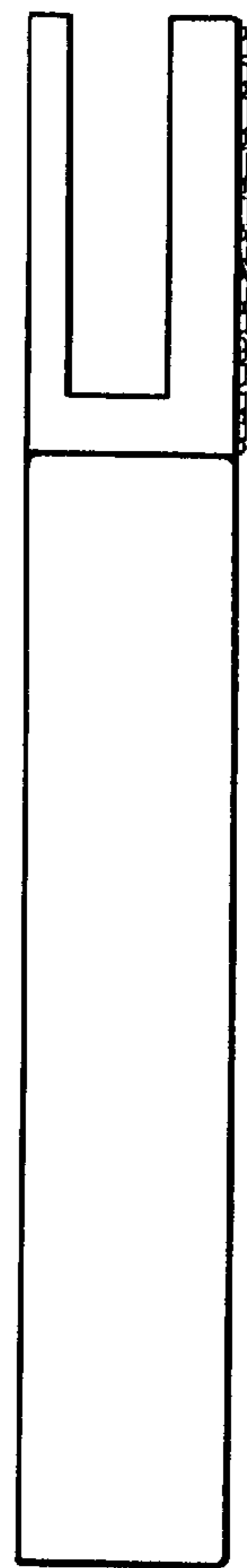


FIG. 5

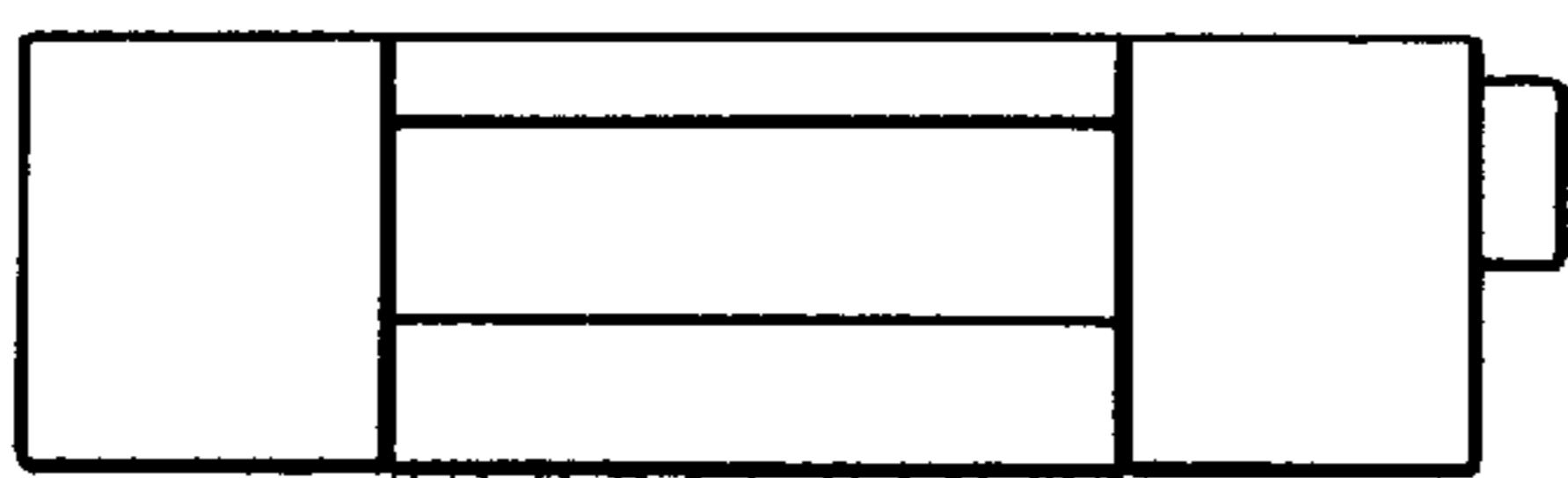


FIG. 6

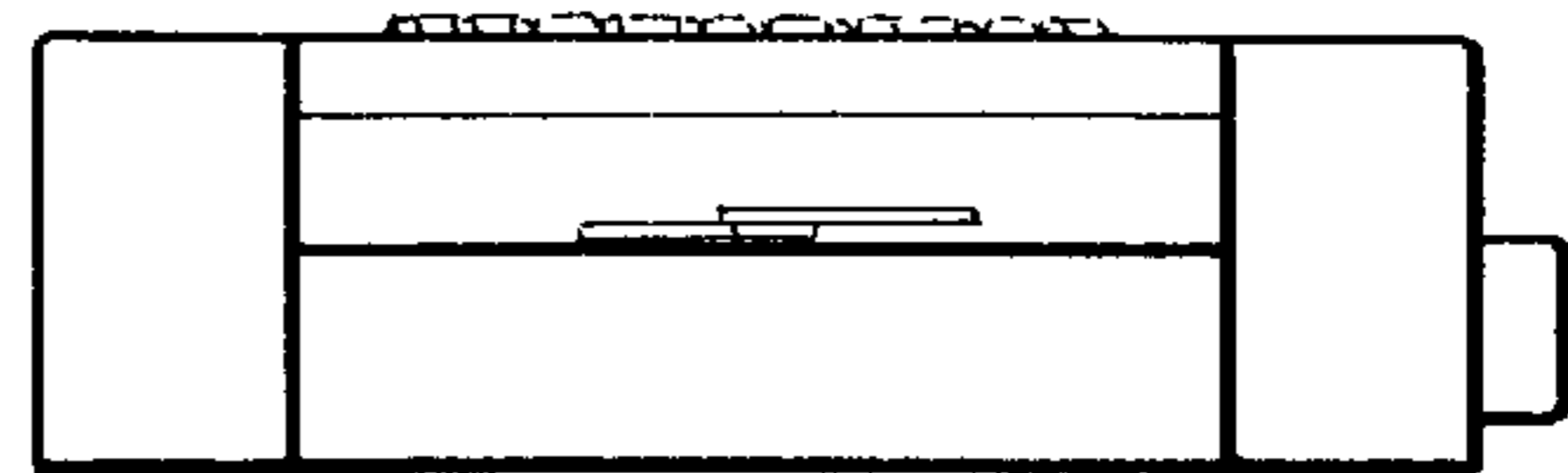


FIG. 7

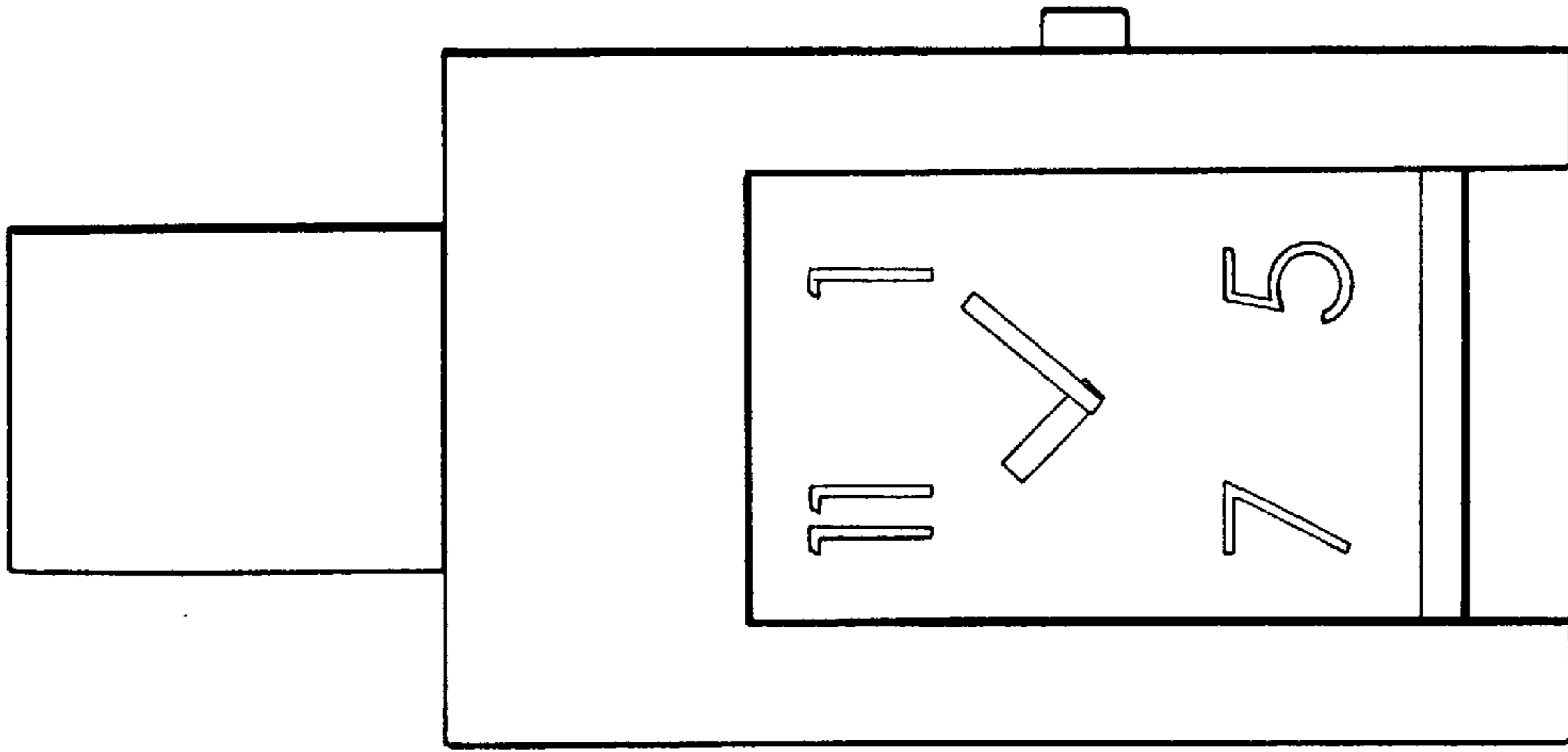


FIG. 9

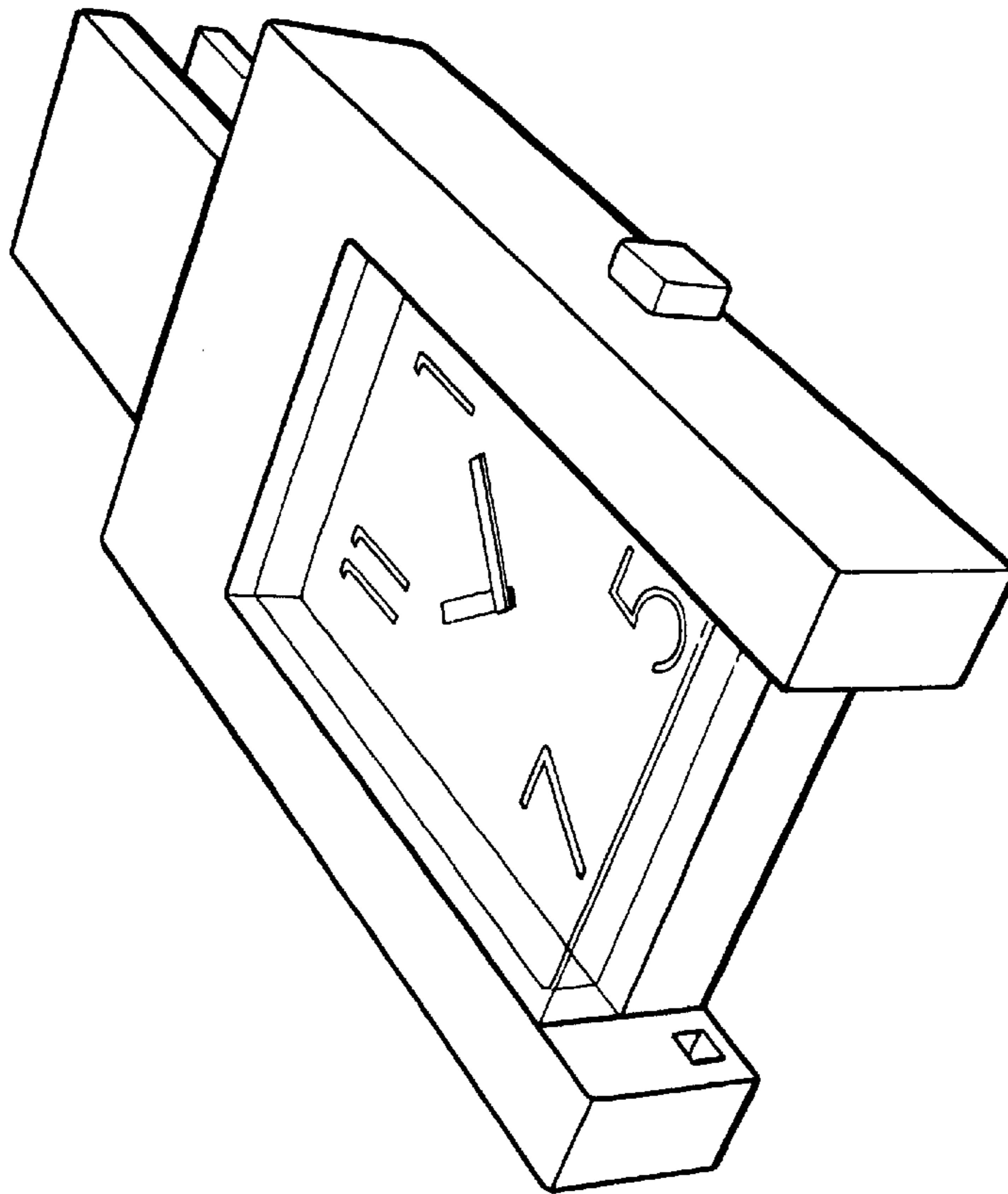


FIG. 8

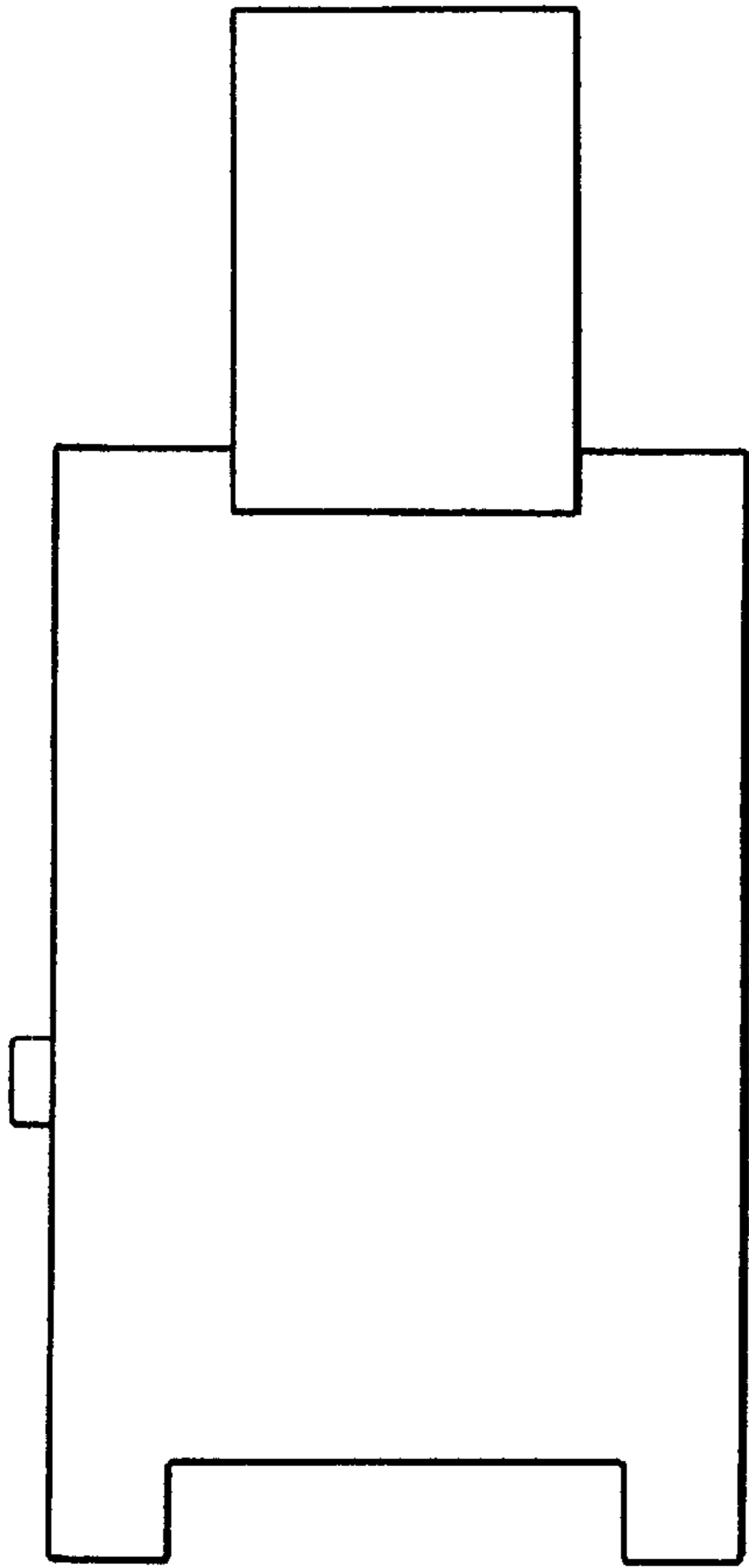


FIG. 10

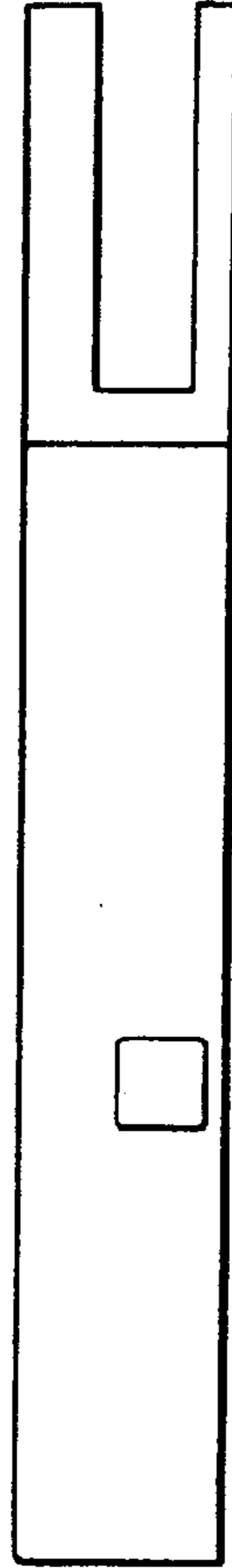


FIG. 11

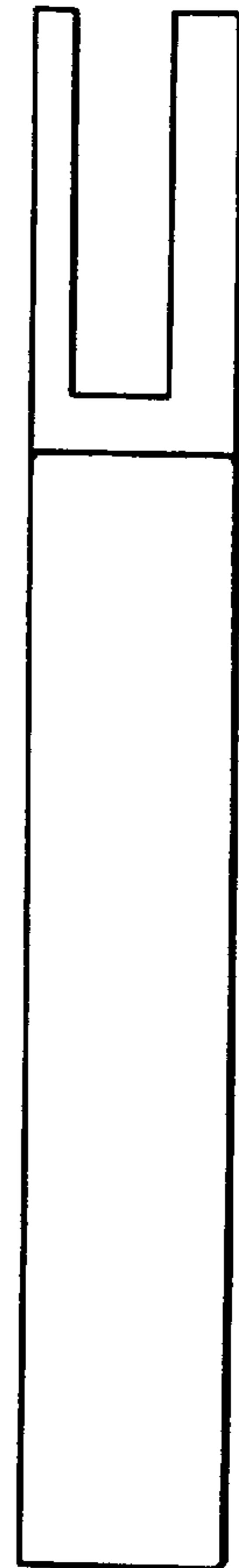


FIG. 12

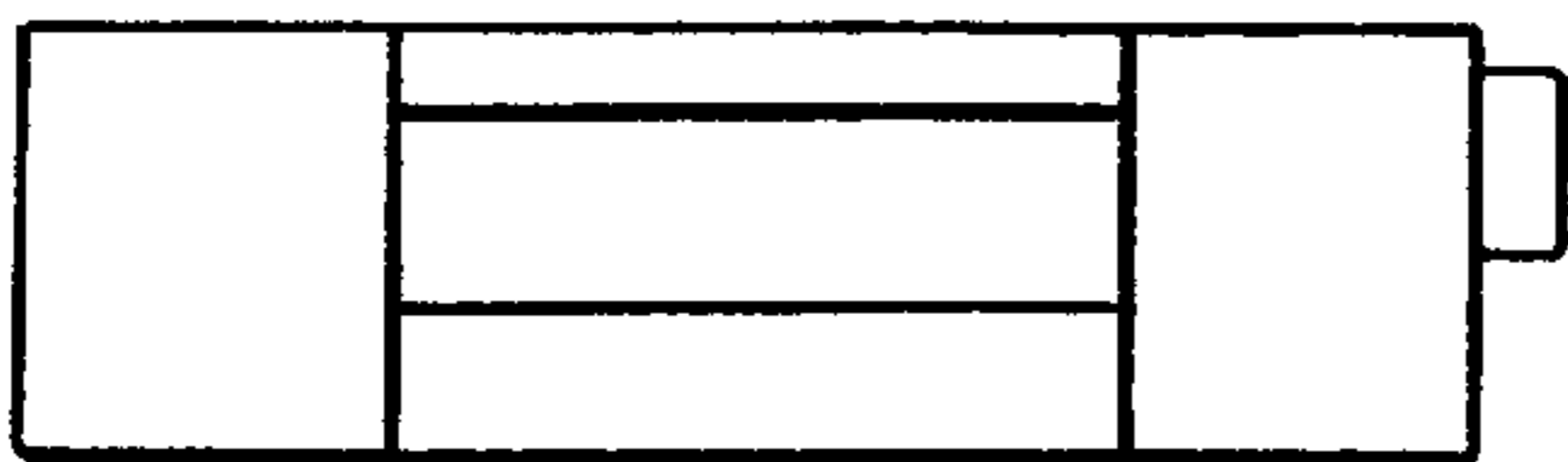


FIG. 13

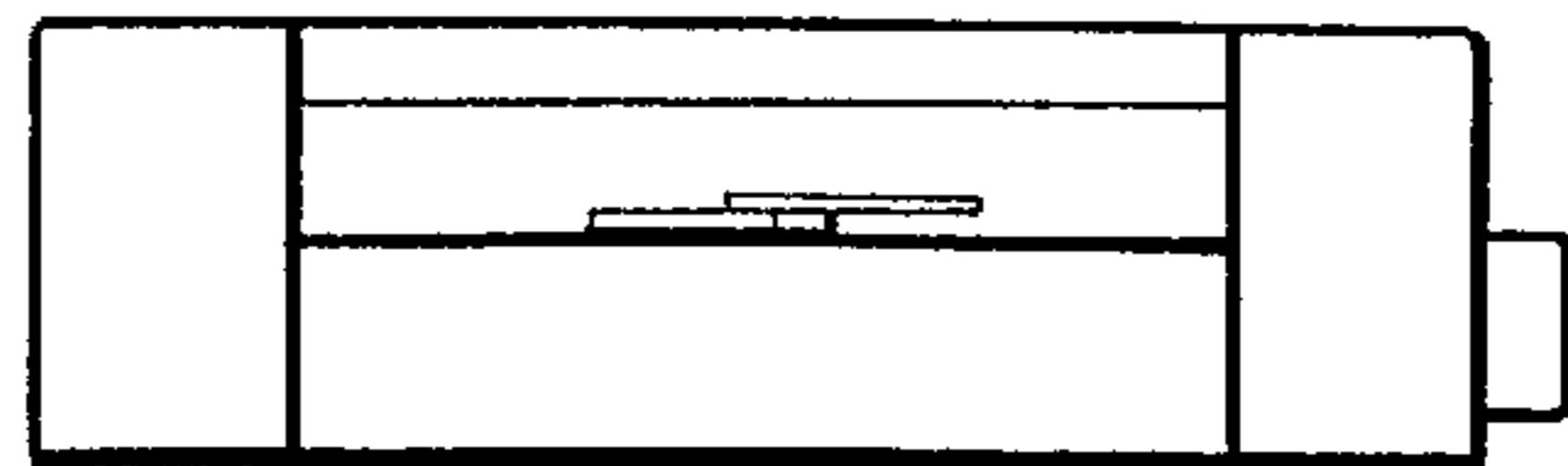


FIG. 14