



US00D462276S

(12) **United States Design Patent**  
**Hall et al.**

(10) **Patent No.:** **US D462,276 S**

(45) **Date of Patent:** **\*\* Sep. 3, 2002**

(54) **MEDIA STORAGE CASE AND CLOCK**

(74) *Attorney, Agent, or Firm*—Thompson Hine LLP

(75) **Inventors:** **Lindsay R. Hall**, Kettering, OH (US);  
**Christopher G. Palmer**, Fremont, CA (US)

(57) **CLAIM**

The design for a media storage case and clock, as shown and described.

(73) **Assignee:** **The Mead Corporation**, Dayton, OH (US)

**DESCRIPTION**

(\*\*) **Term:** **14 Years**

(21) **Appl. No.:** **29/145,876**

(22) **Filed:** **Jul. 31, 2001**

(51) **LOC (7) Cl.** ..... **10-01**

(52) **U.S. Cl.** ..... **D10/2; D6/630**

(58) **Field of Search** ..... **D10/1-40, 122-132; 368/276-277, 285, 316-317; D6/630**

FIG. 1 is a front perspective view of one embodiment of the media storage case and clock of the present invention; FIG. 2 is a rear perspective view of the media storage case and clock of FIG. 1; FIG. 3 is a front view of the media storage case and clock of FIG. 1; FIG. 4 is a left side view of the media storage case and clock of FIG. 1; FIG. 5 is a right side view of the media storage case and clock of FIG. 1; FIG. 6 is a rear view of the media storage case and clock of FIG. 1; FIG. 7 is a top view of the media storage case and clock of FIG. 1; FIG. 8 is a bottom view of the media storage case and clock of FIG. 1; FIG. 9 is a front perspective view of an alternate embodiment of the media storage case and clock of the present invention; FIG. 10 is a rear perspective view of the media storage case and clock of FIG. 9; FIG. 11 is a front view of the media storage case and clock of FIG. 9; FIG. 12 is a left side view of the media storage case and clock of FIG. 9; FIG. 13 is a right side view of the media storage case and clock of FIG. 9; FIG. 14 is a rear view of the media storage case and clock of FIG. 9; FIG. 15 is a top view of the media storage case and clock of FIG. 9; and, FIG. 16 is a bottom view of the media storage case and clock of FIG. 9.

(56) **References Cited**

**U.S. PATENT DOCUMENTS**

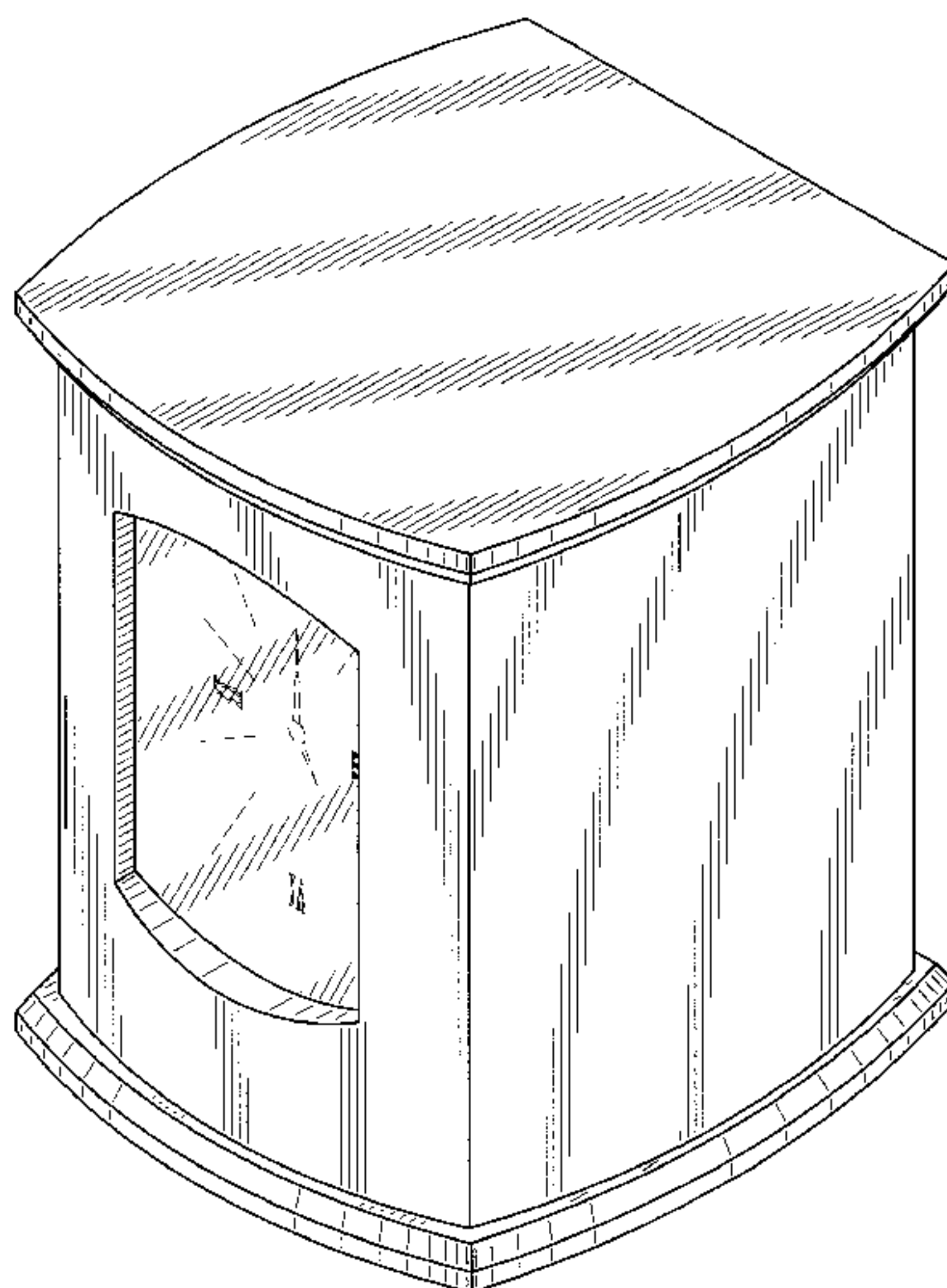
D68,179 S	*	9/1925	Weidman	.....	D10/27
D85,739 S	*	12/1931	Dintzman	.....	D10/26
D103,554 S	*	3/1937	Sessions	.....	D10/24
D103,837 S	*	3/1937	Teague	.....	D10/26
D176,878 S	*	2/1956	Nicolas	.....	D10/26
D343,201 S		1/1994	Savage		
D345,508 S	*	3/1994	Takashima	.....	D10/24
D346,116 S	*	4/1994	Godinger	.....	D10/26
D354,235 S	*	1/1995	Takashima	.....	D10/26
D357,331 S		4/1995	Yeh		
D357,872 S	*	5/1995	Takashima	.....	D10/28
D360,099 S		7/1995	Wu		
D364,966 S		12/1995	Kennedy, Jr.		
D376,981 S	*	12/1996	Levinger et al.	.....	D10/1
D378,496 S	*	3/1997	Levinger et al.	.....	D10/26
5,749,477 A		5/1998	Chang		
D398,387 S		9/1998	Wan		
D405,638 S	*	2/1999	Cheris et al.	.....	D6/630
D413,271 S		8/1999	Wu		
D414,069 S	*	9/1999	Fok	.....	D6/630
D431,954 S	*	10/2000	White	.....	D6/630

\* cited by examiner

The broken lines are for illustrative purposes only and form no part of the claimed design.

*Primary Examiner*—Nelson C. Holtje

**1 Claim, 14 Drawing Sheets**



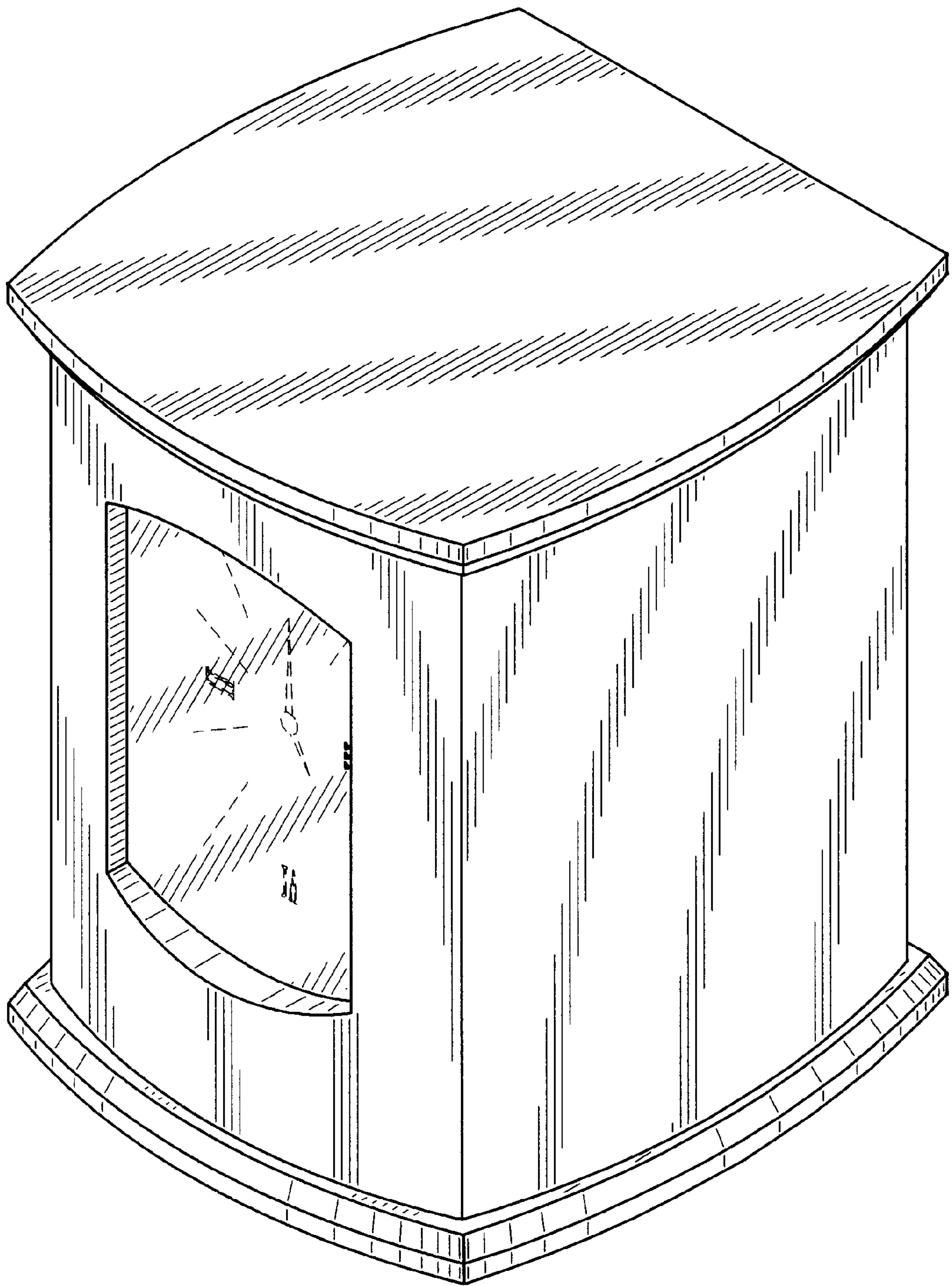


FIG. 1



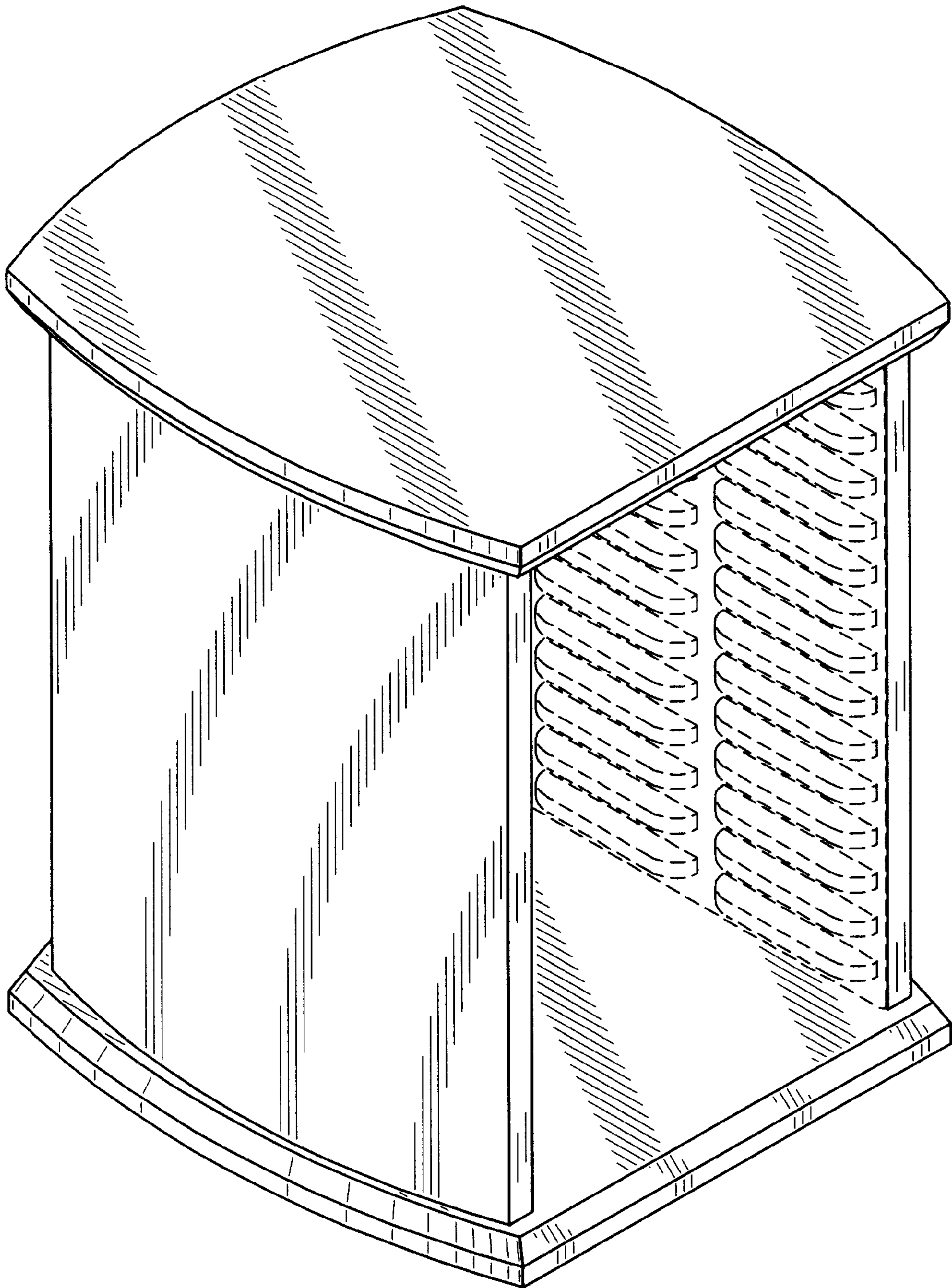


FIG. 2

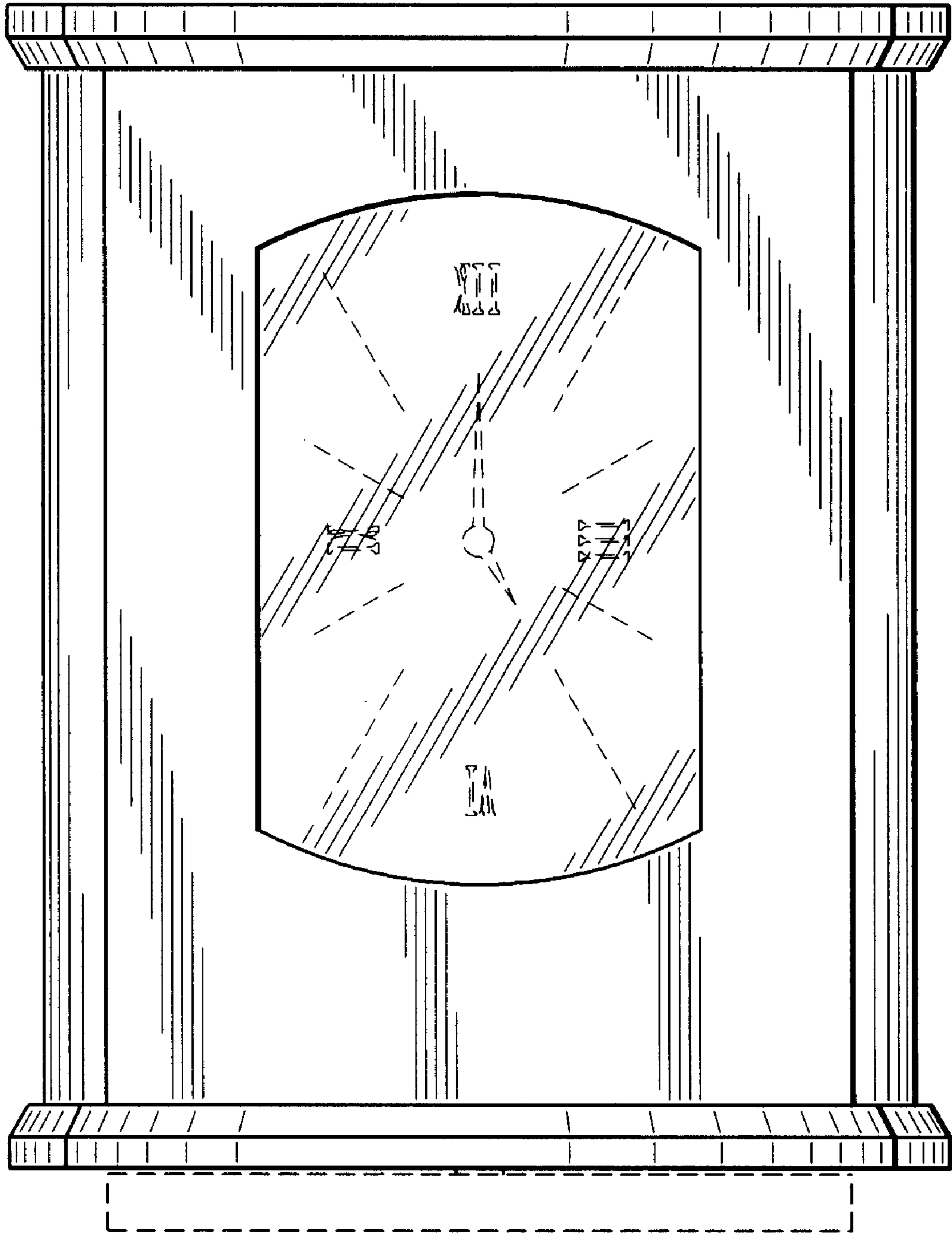


FIG. 3

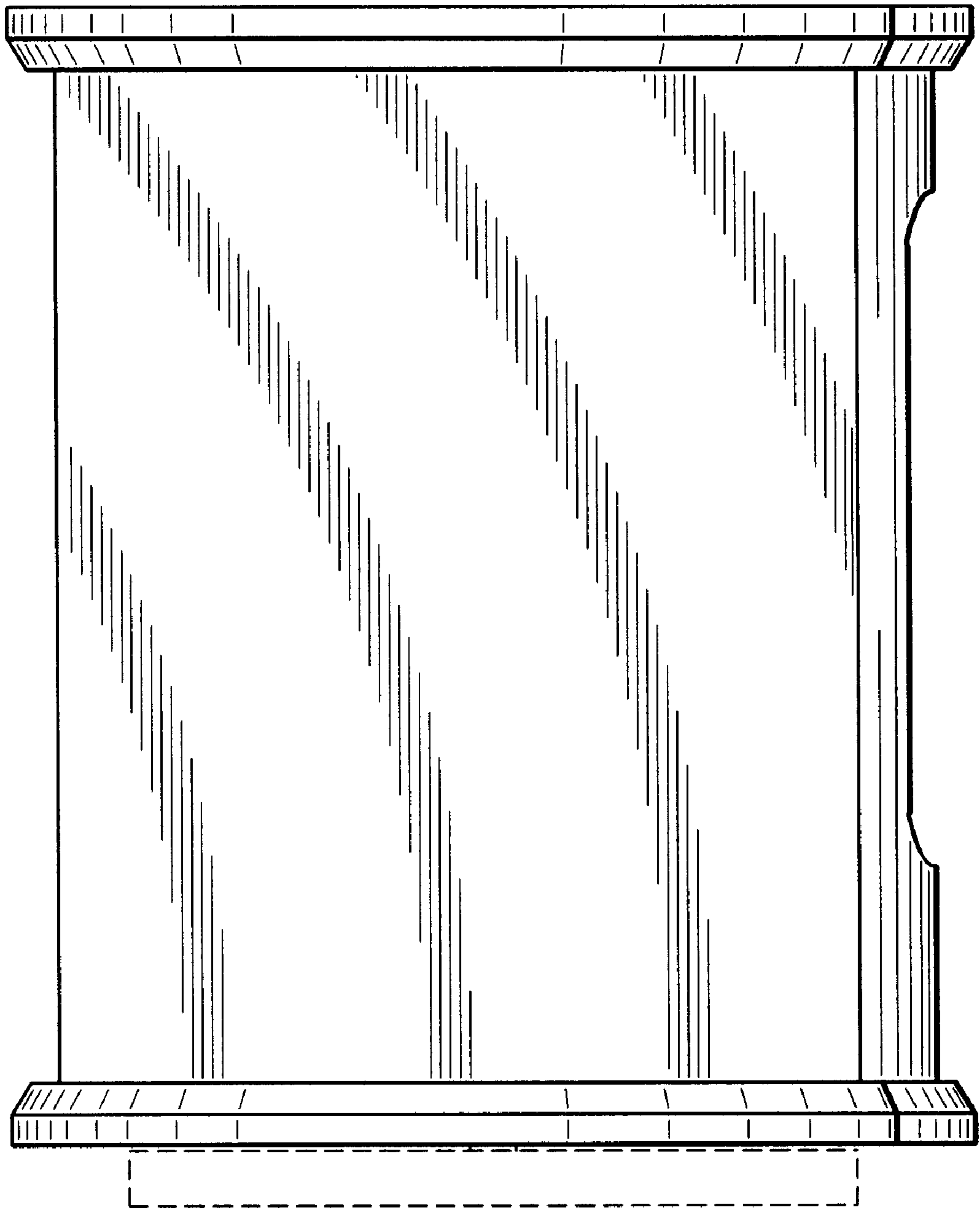


FIG. 4

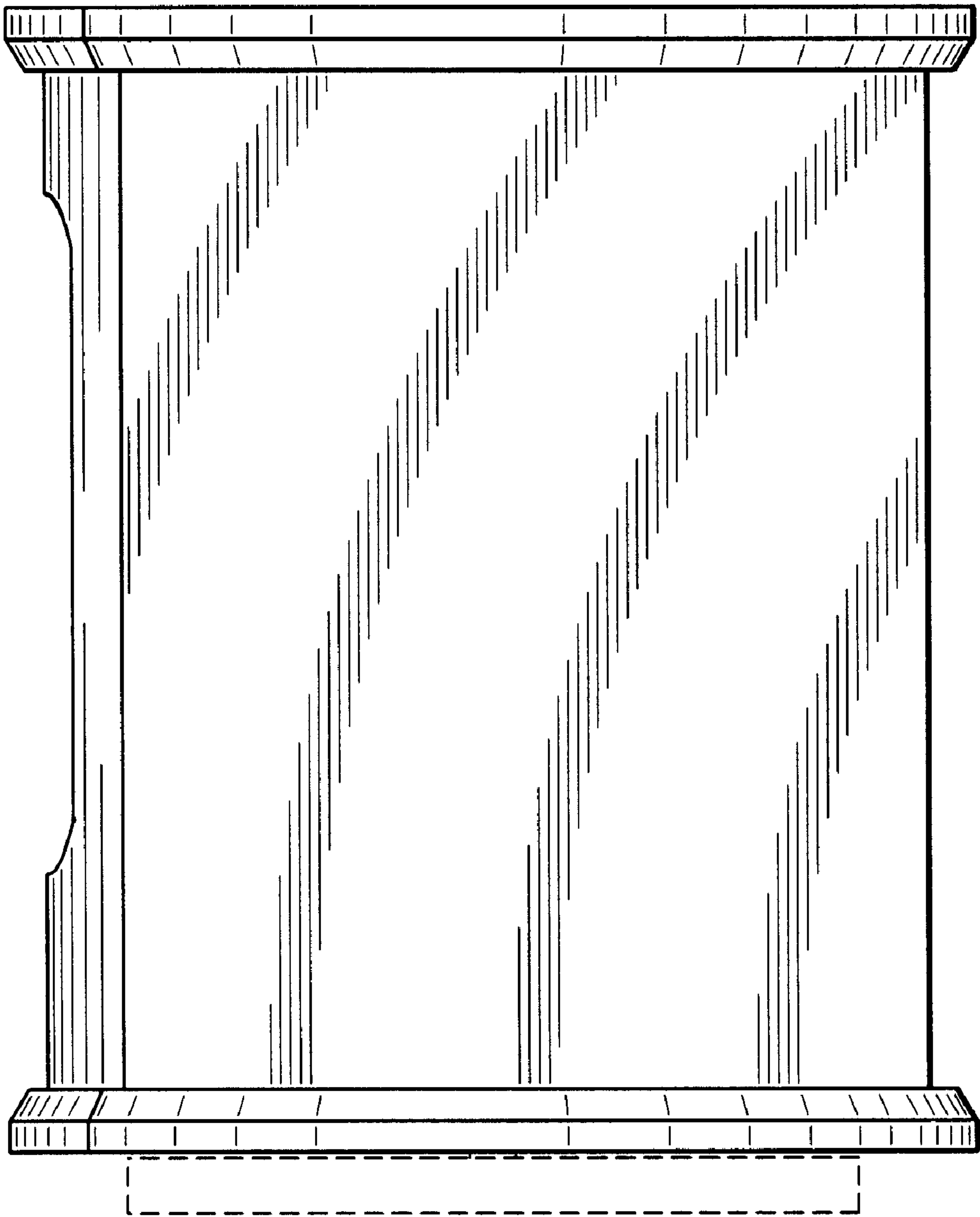


FIG. 5

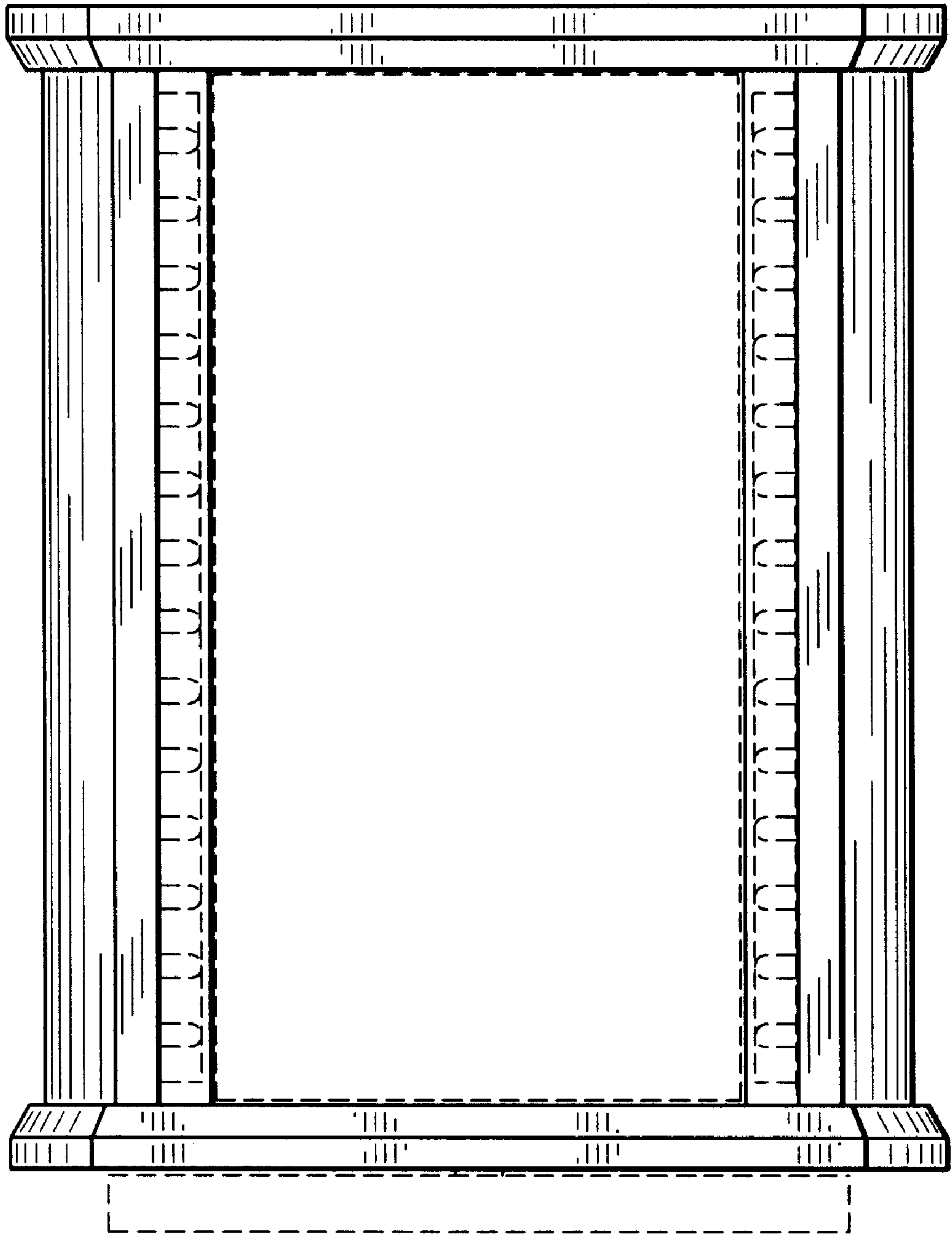


FIG. 6

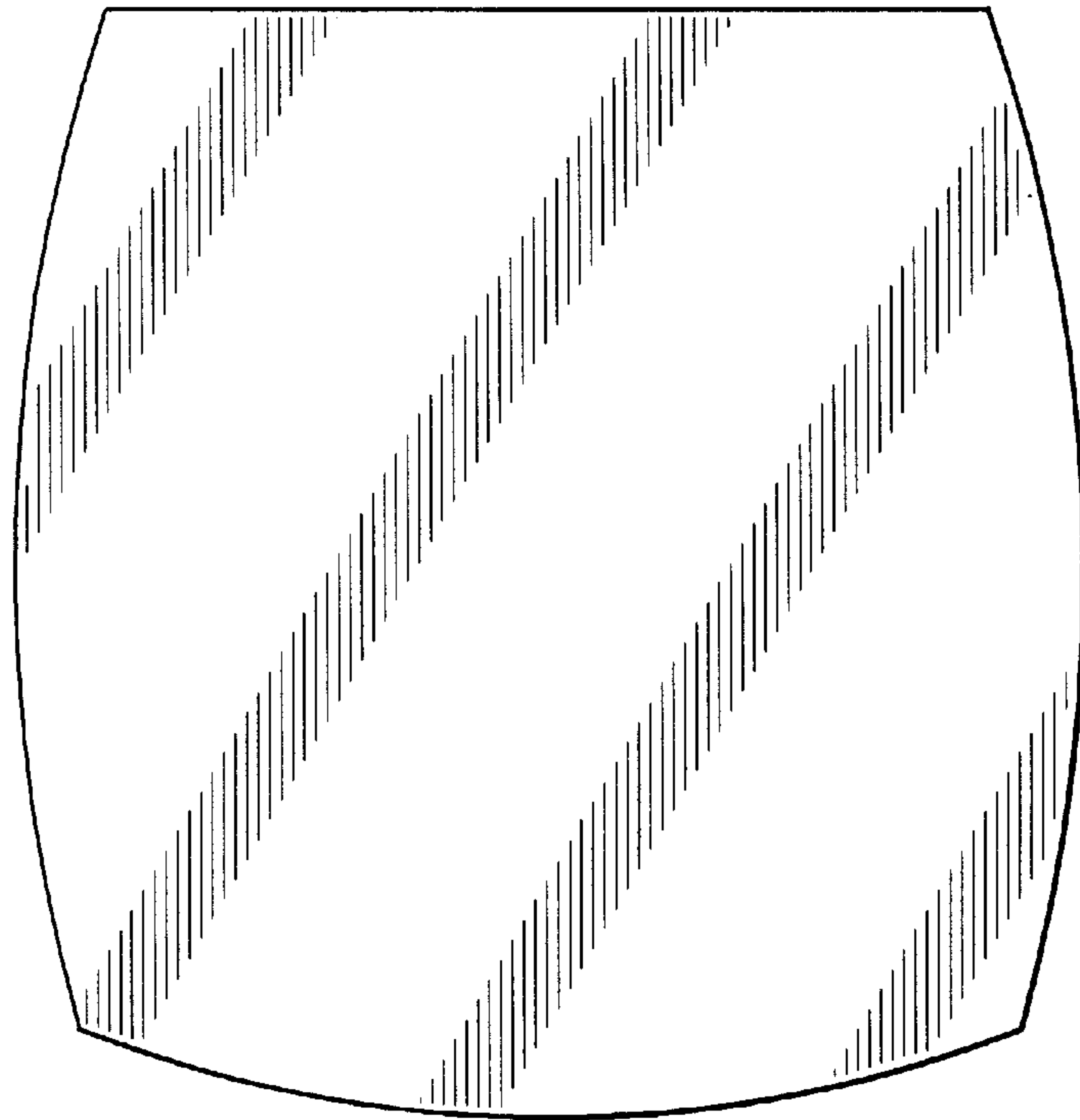


FIG. 7

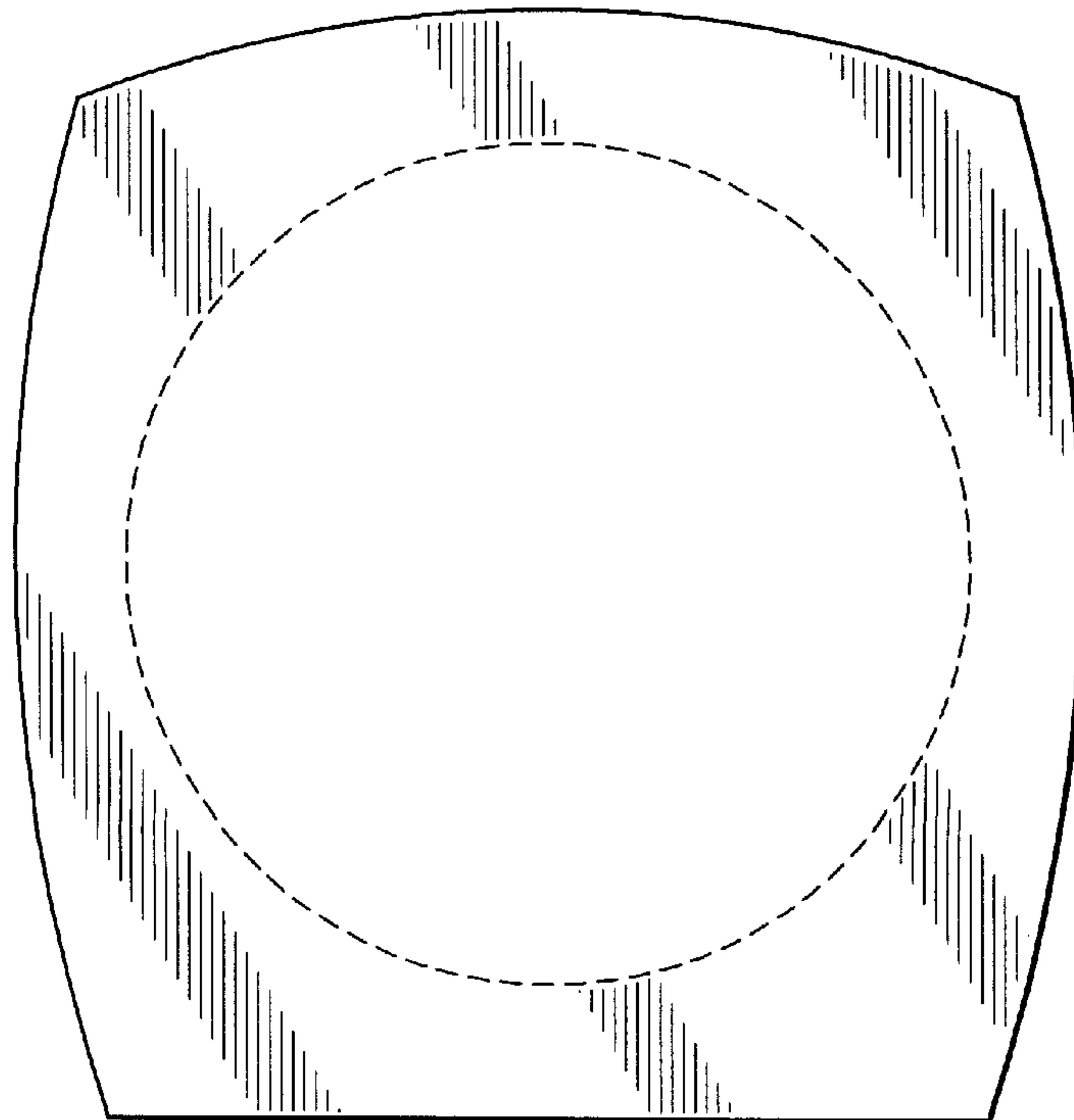


FIG. 8



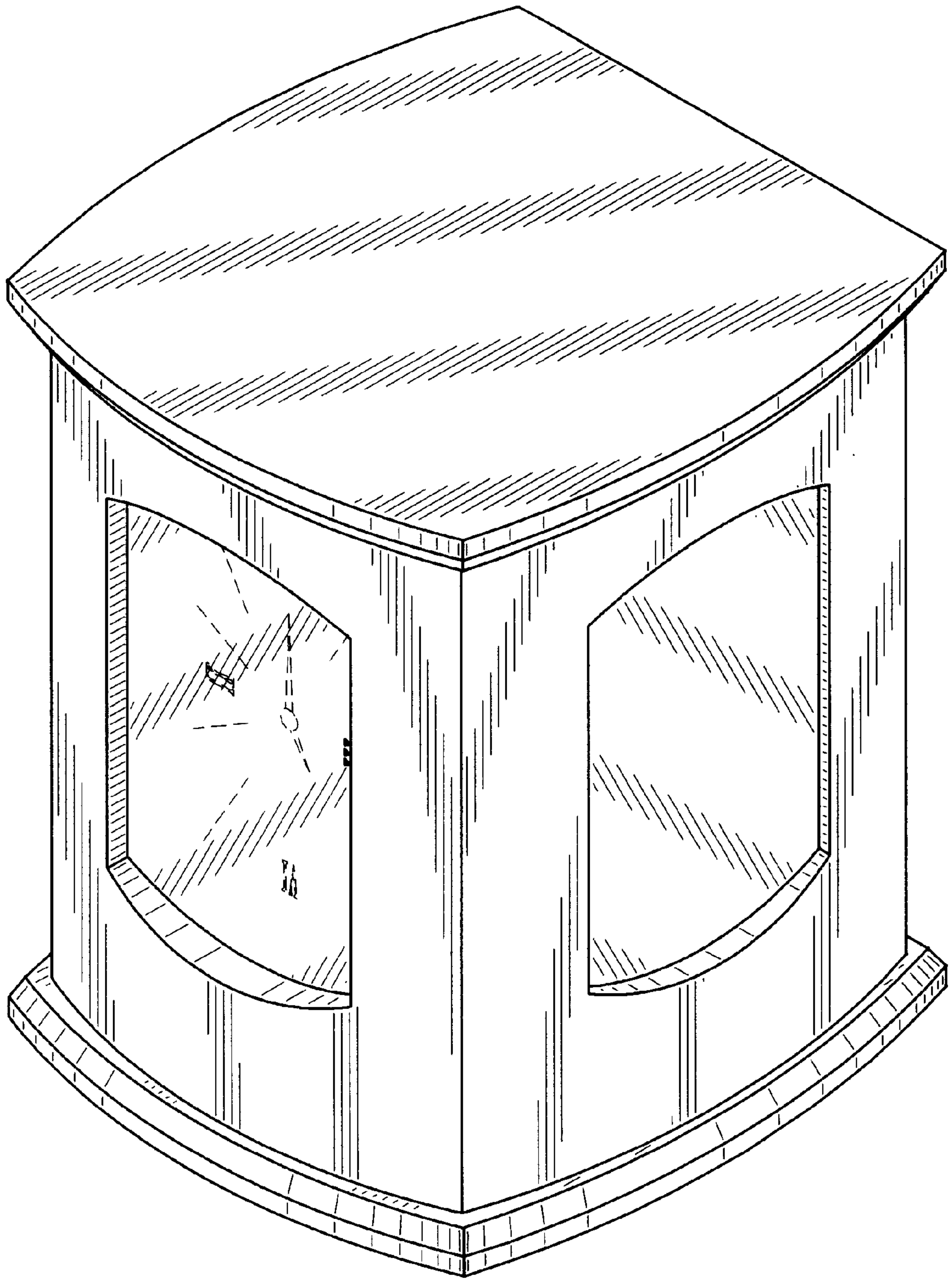


FIG. 9

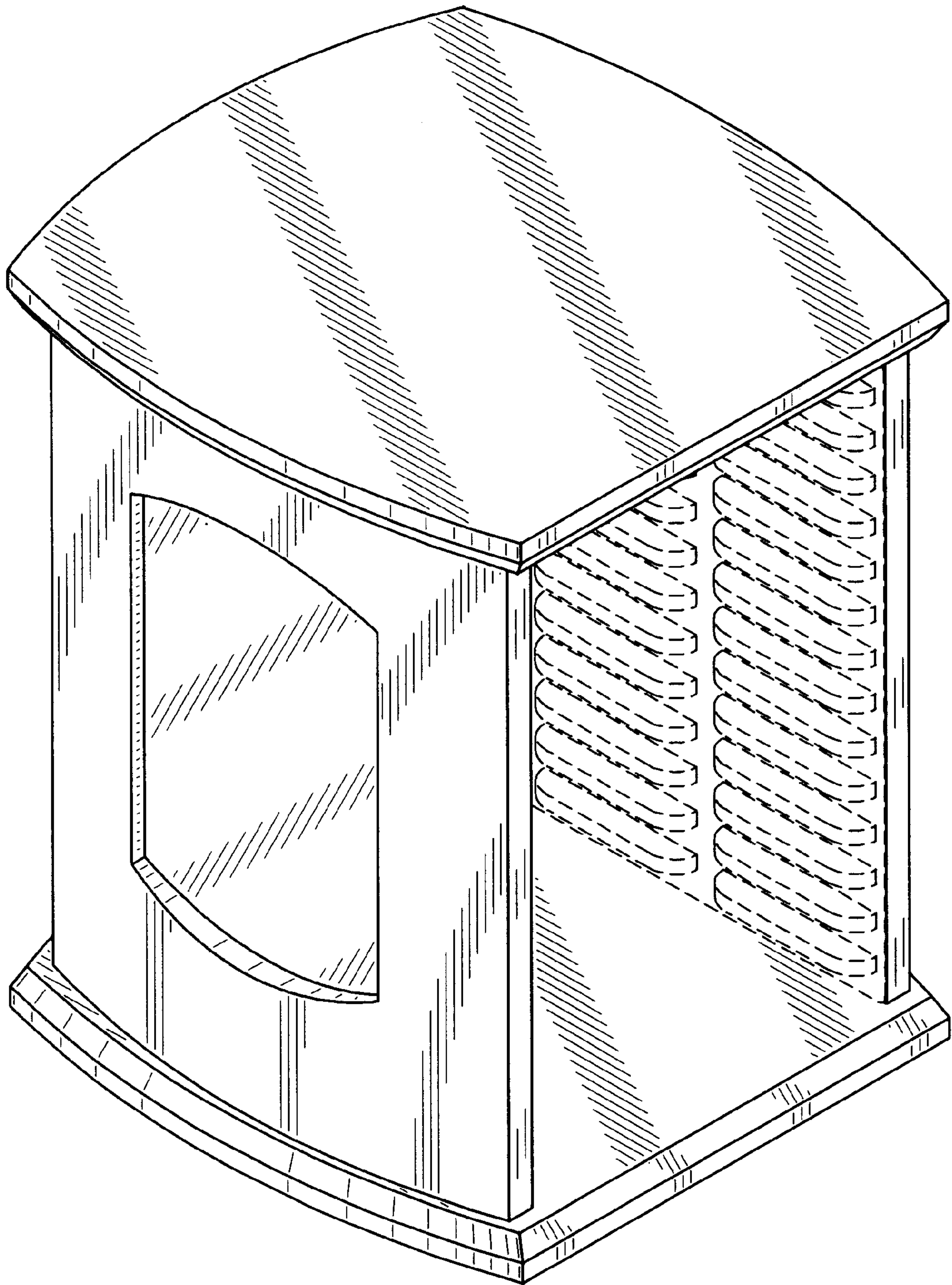


FIG. 10

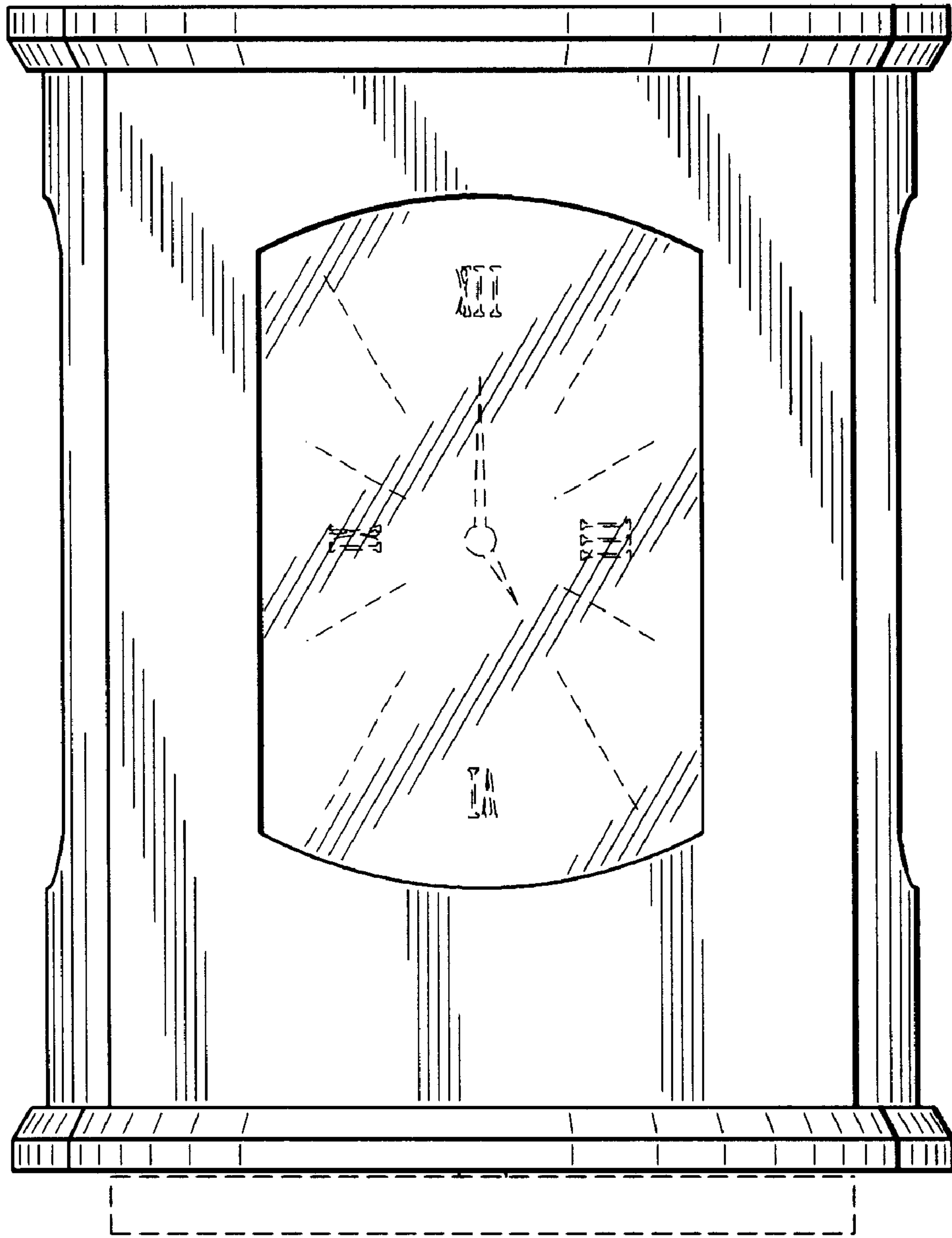


FIG. 11

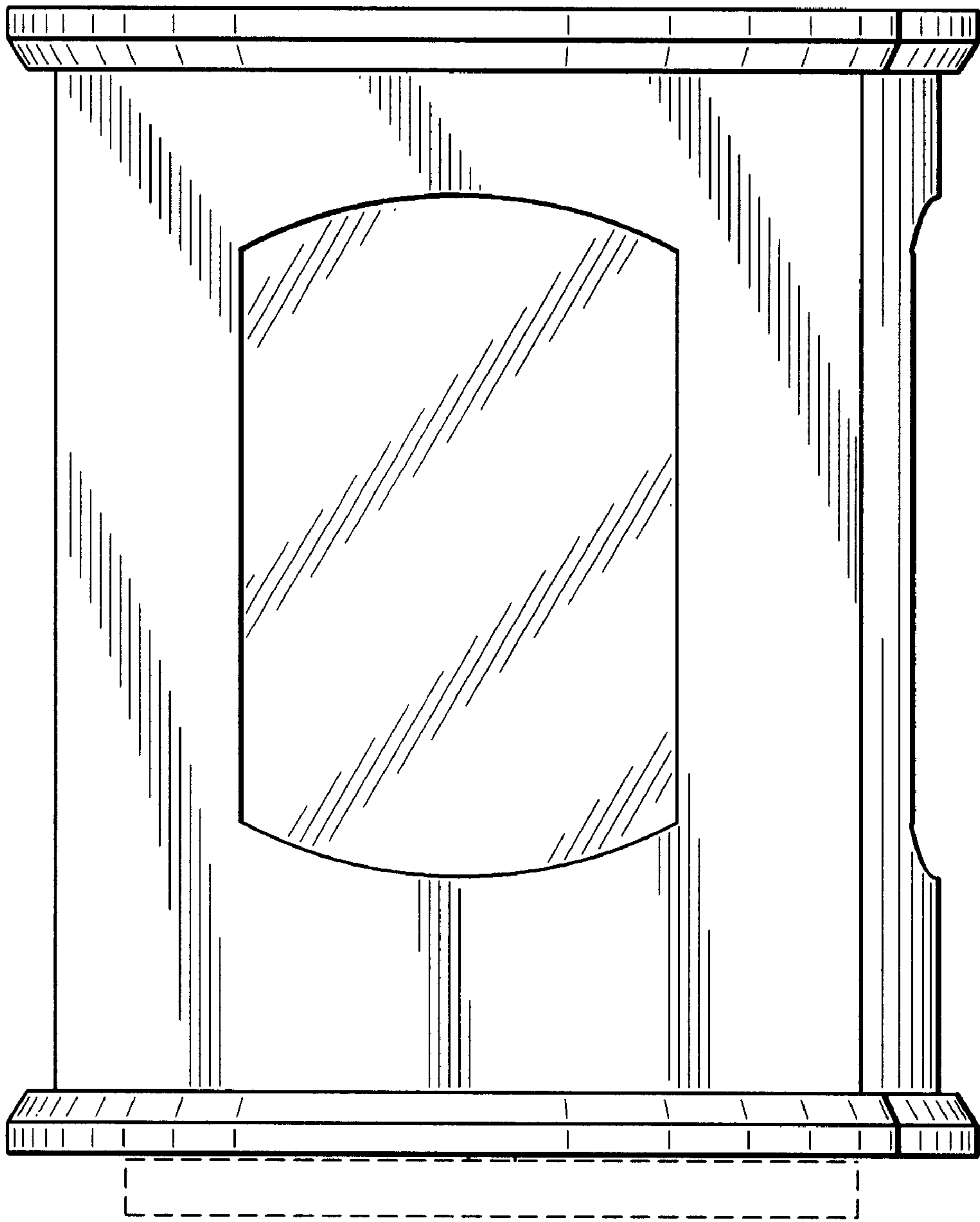


FIG. 12



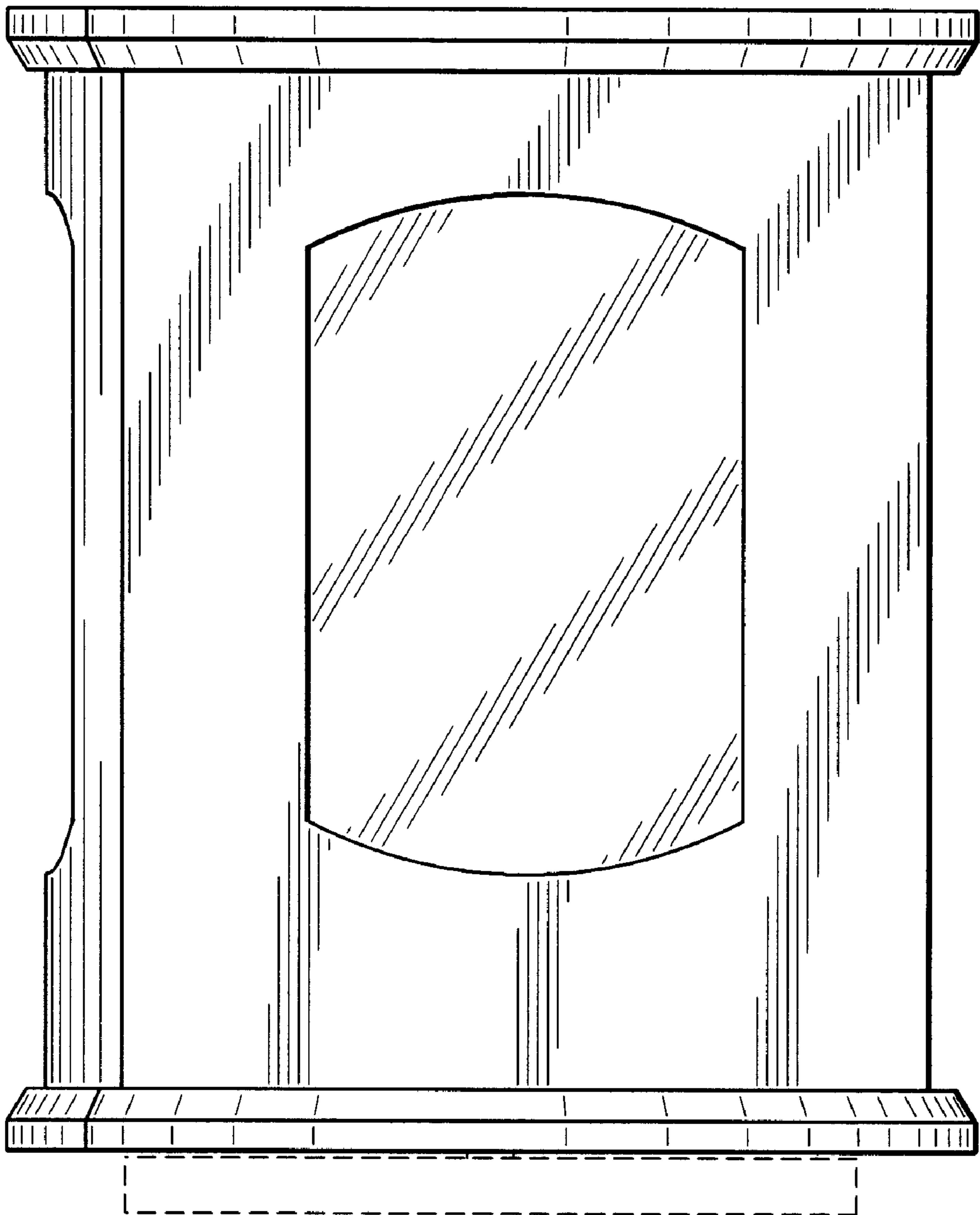


FIG. 13



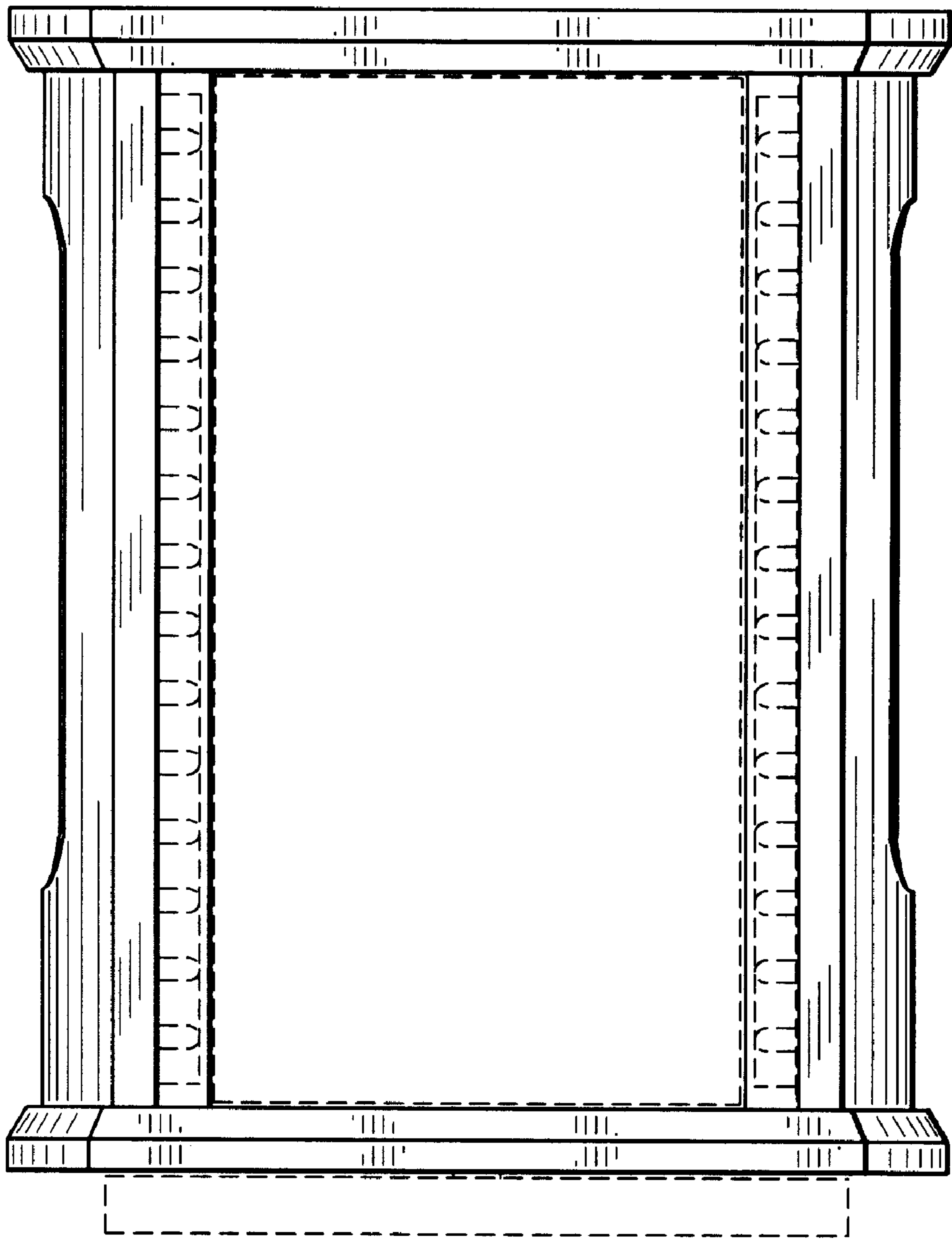


FIG. 14

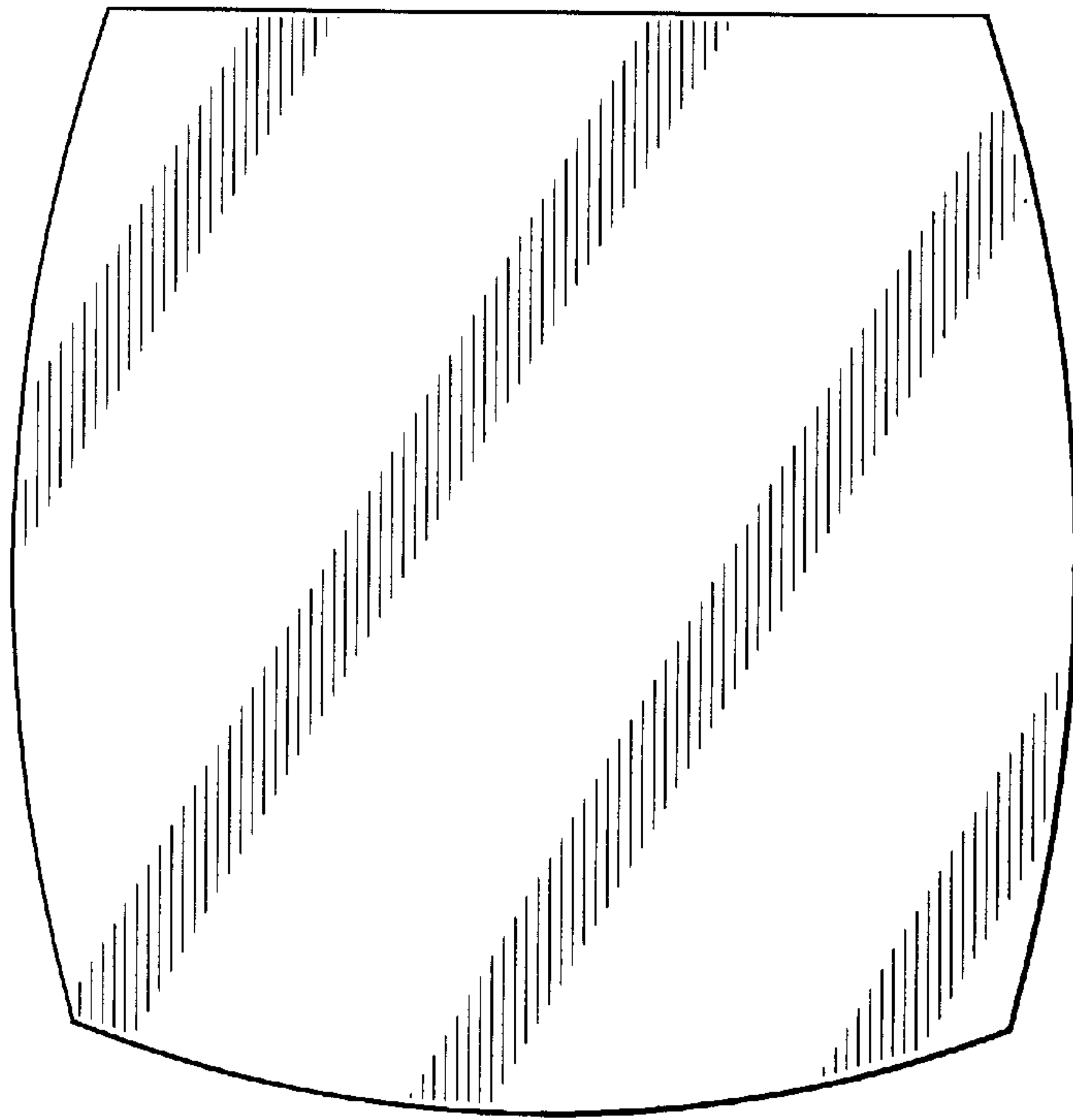


FIG. 15

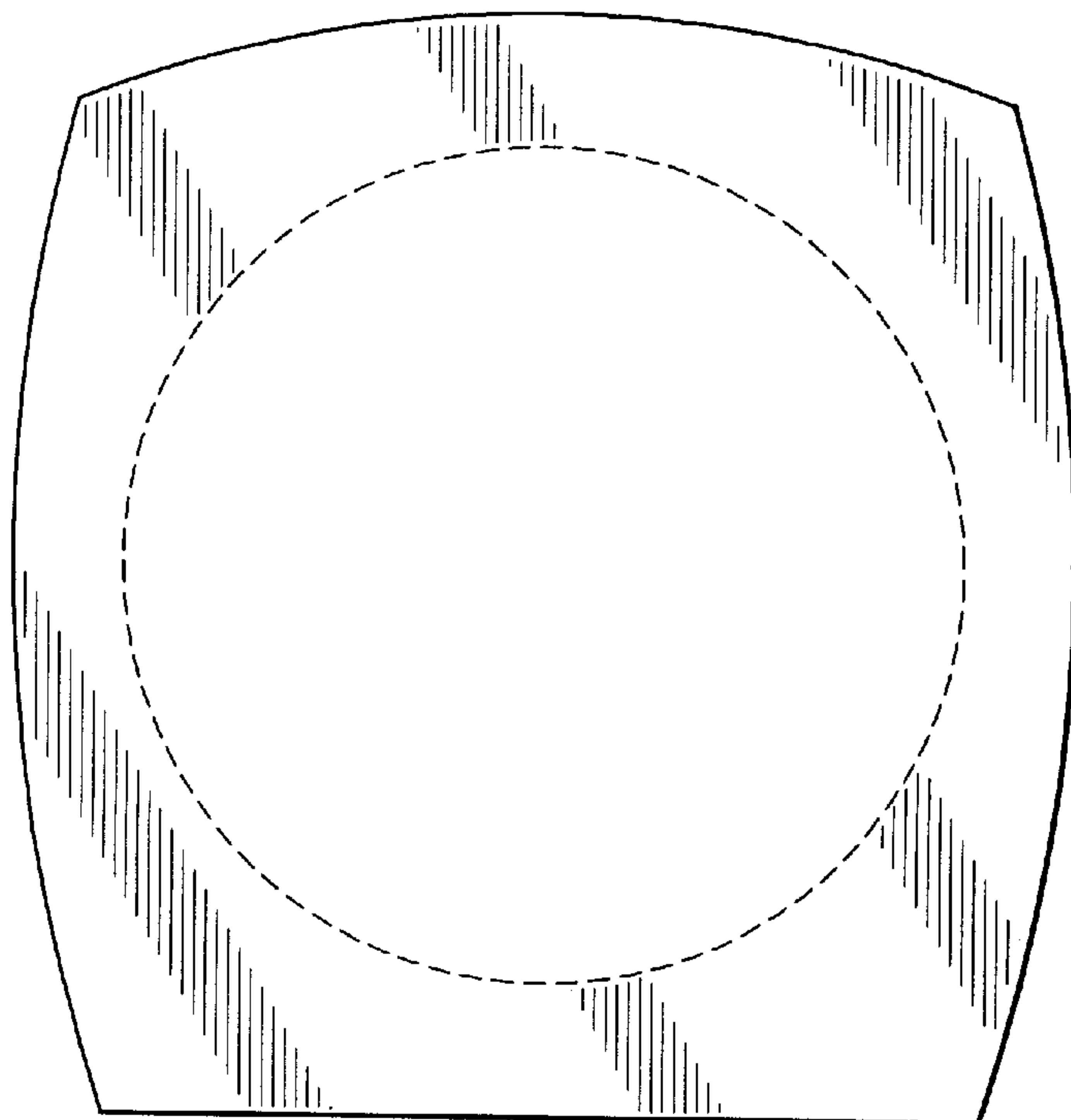


FIG. 16