



US00D462273S

(12) **United States Design Patent**
Crawford

(10) **Patent No.:** **US D462,273 S**

(45) **Date of Patent:** **** Sep. 3, 2002**

(54) **BOTTLE**

(75) **Inventor:** **John C. Crawford, Mahopac, NY (US)**

(73) **Assignee:** **Colgate-Palmolive Company, New York, NY (US)**

(**) **Term:** **14 Years**

(21) **Appl. No.:** **29/144,646**

(22) **Filed:** **Jul. 6, 2001**

(51) **LOC (7) Cl. 09-01**

(52) **U.S. Cl. D9/542**

(58) **Field of Search** D9/300, 449, 516,
D9/520-523, 530-531, 539-540, 542-543,
549, 552, 554, 556-558, 567, 571-575;
215/381-385, 396, 398

(56) **References Cited**

U.S. PATENT DOCUMENTS

3,152,710 A	*	10/1964	Platte	215/384
D207,744 S	*	5/1967	Olson	D9/542
D254,838 S	*	4/1980	Agnone et al.	D9/300
D324,999 S	*	3/1992	Zogg et al.	D9/542
D337,948 S	*	8/1993	Reif	D9/543
D343,794 S	*	2/1994	D'Amico et al.	D9/530
D344,896 S	*	3/1994	Zogg et al.	D9/543

D354,000 S	*	1/1995	Hoyt	D9/543
D356,505 S	*	3/1995	Gonda et al.	D9/543
D357,187 S	*	4/1995	Sherman	D9/540
D382,812 S	*	8/1997	Kokenge et al.	D9/543
D387,280 S	*	12/1997	Zimmer et al.	D9/543
D415,965 S	*	11/1999	Gerhart et al.	D9/531
D425,430 S	*	5/2000	Gerhart et al.	D9/543

* cited by examiner

Primary Examiner—Ted Shooman

Assistant Examiner—Carol Rademaker

(74) *Attorney, Agent, or Firm*—Michael J. McGreal

(57) **CLAIM**

The ornamental design for a bottle, as shown and described.

DESCRIPTION

FIG. 1 is a perspective view of the bottle of my design.

FIG. 2 is a front elevation view thereof.

FIG. 3 is a rear elevation view thereof.

FIG. 4 of a right side elevation view thereof

FIG. 5 is a left side elevation view thereof

FIG. 6 is a top plan view thereof; and,

FIG. 7 is a bottom plan view thereof.

The broken line showing of threads in FIGS. 1-7 is for illustrative purposes only and forms no part of the claimed design.

1 Claim, 5 Drawing Sheets



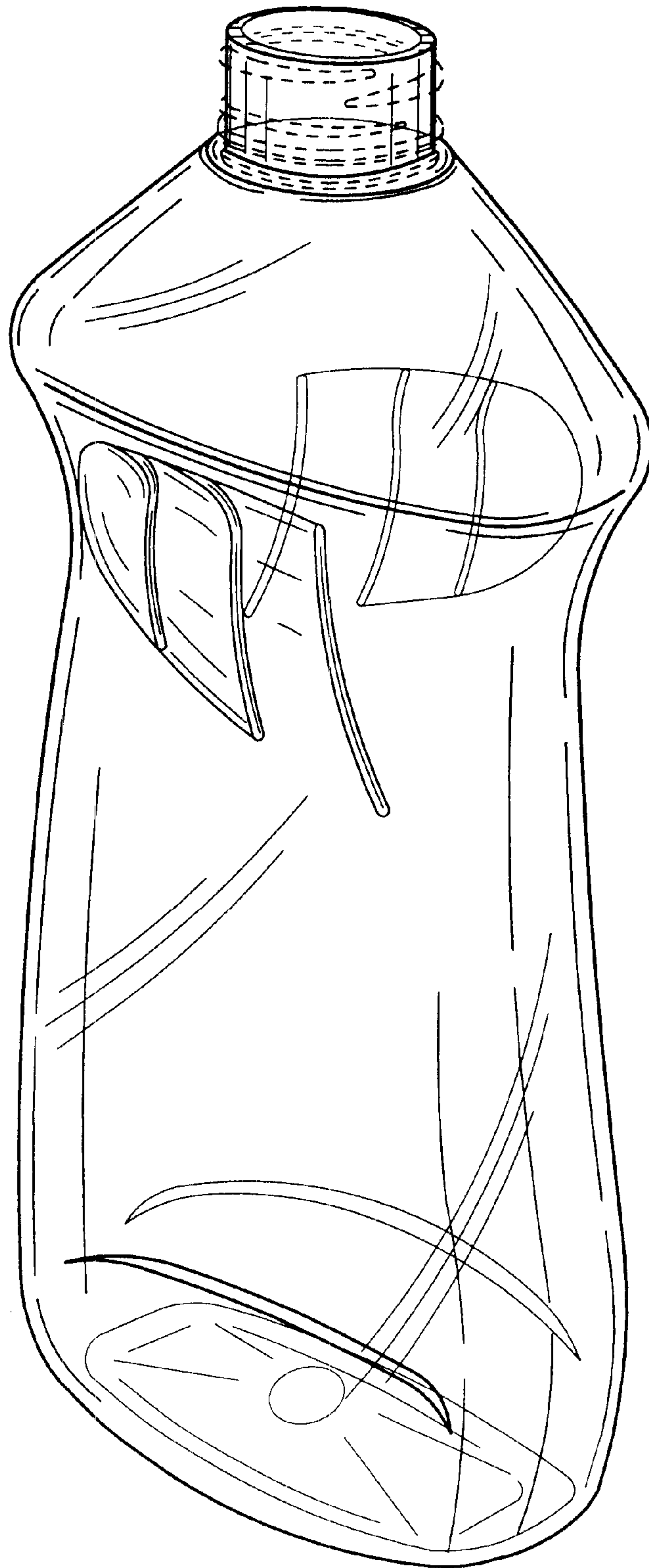


FIG. 1

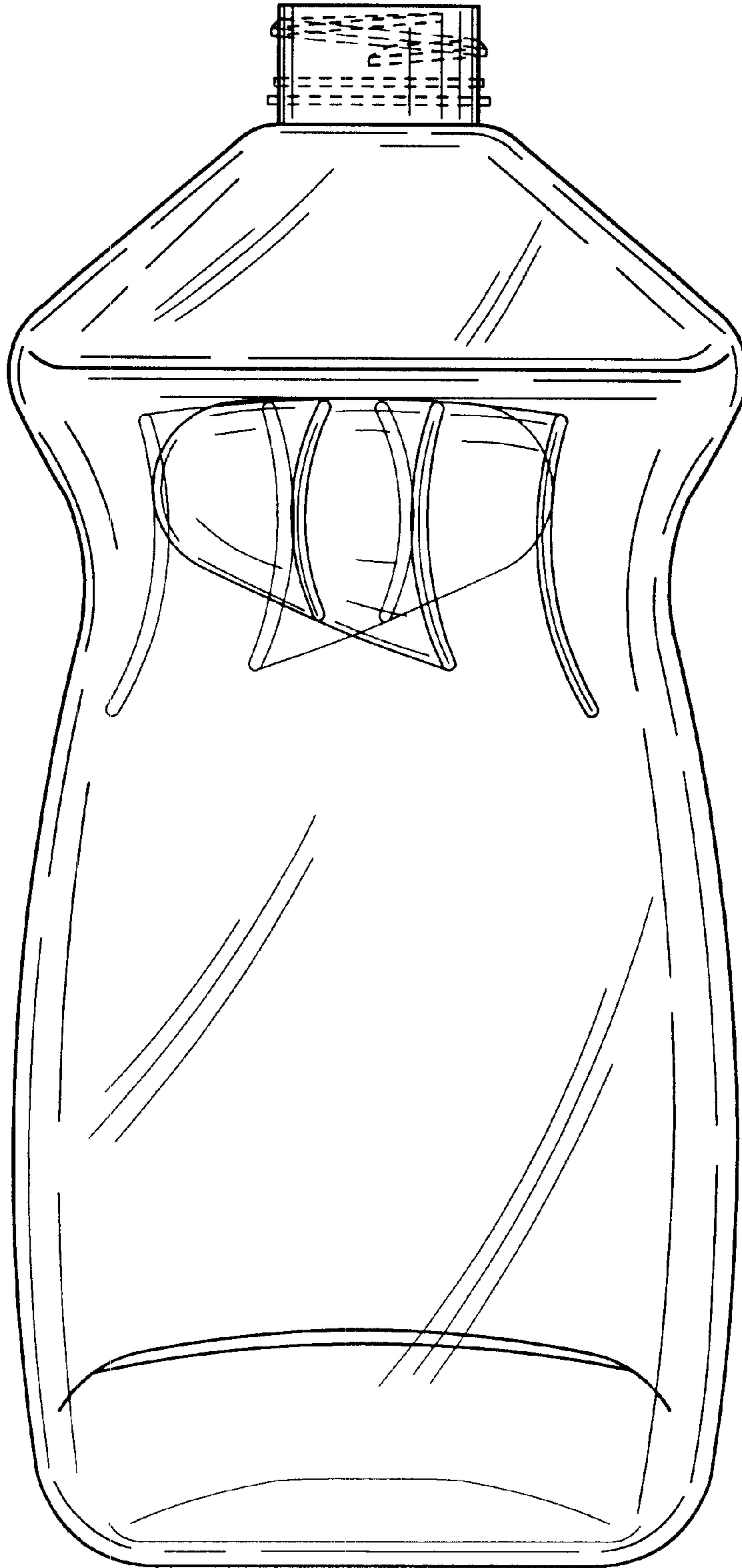


FIG. 2

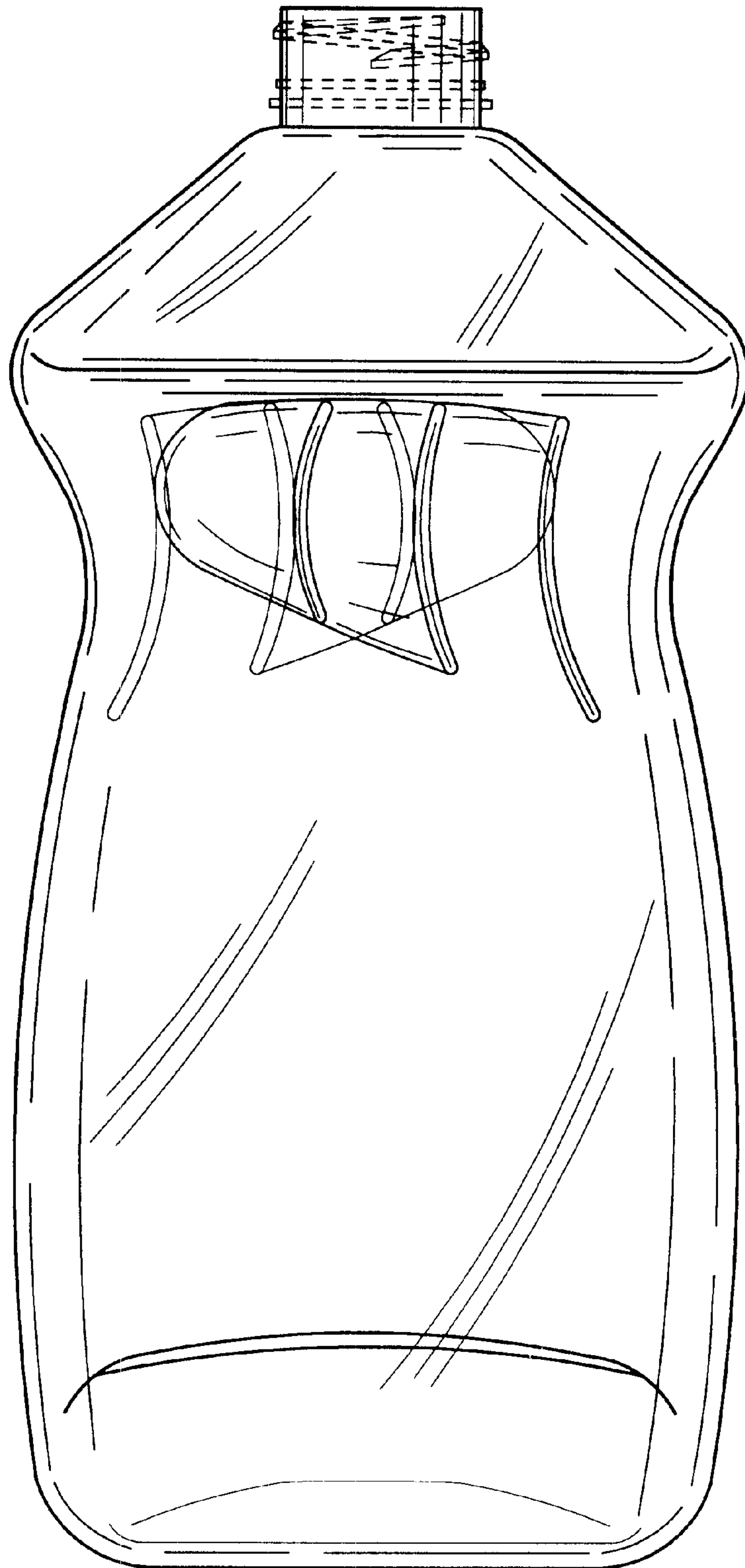


FIG. 3

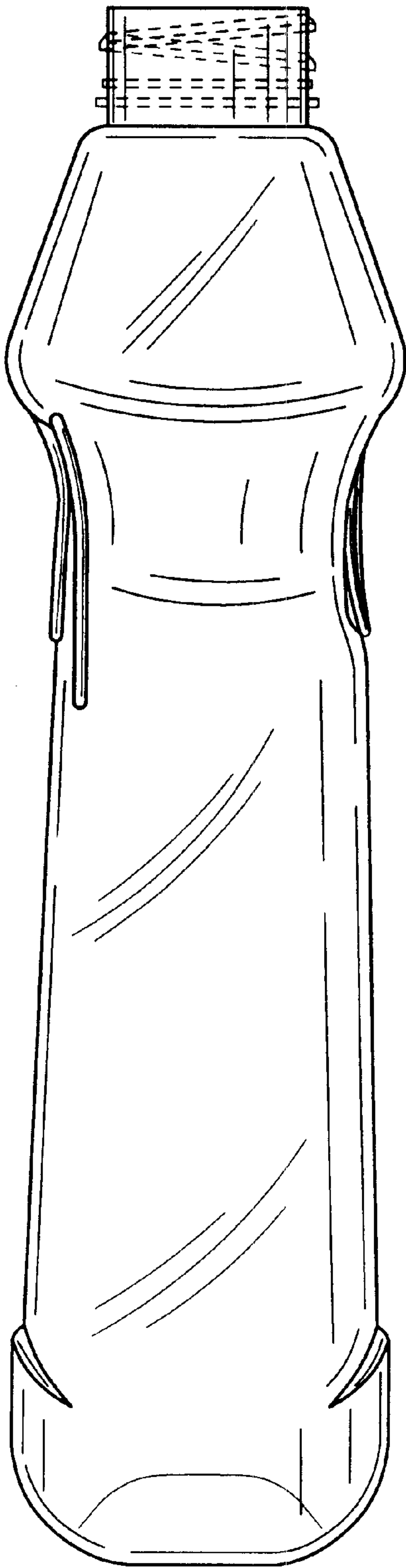


FIG. 4

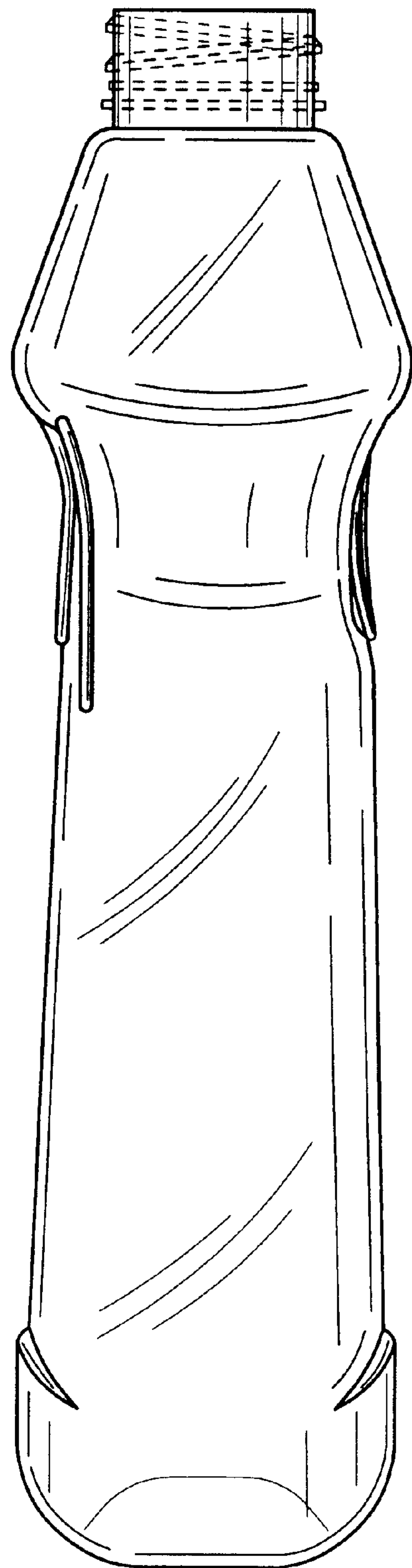


FIG. 5

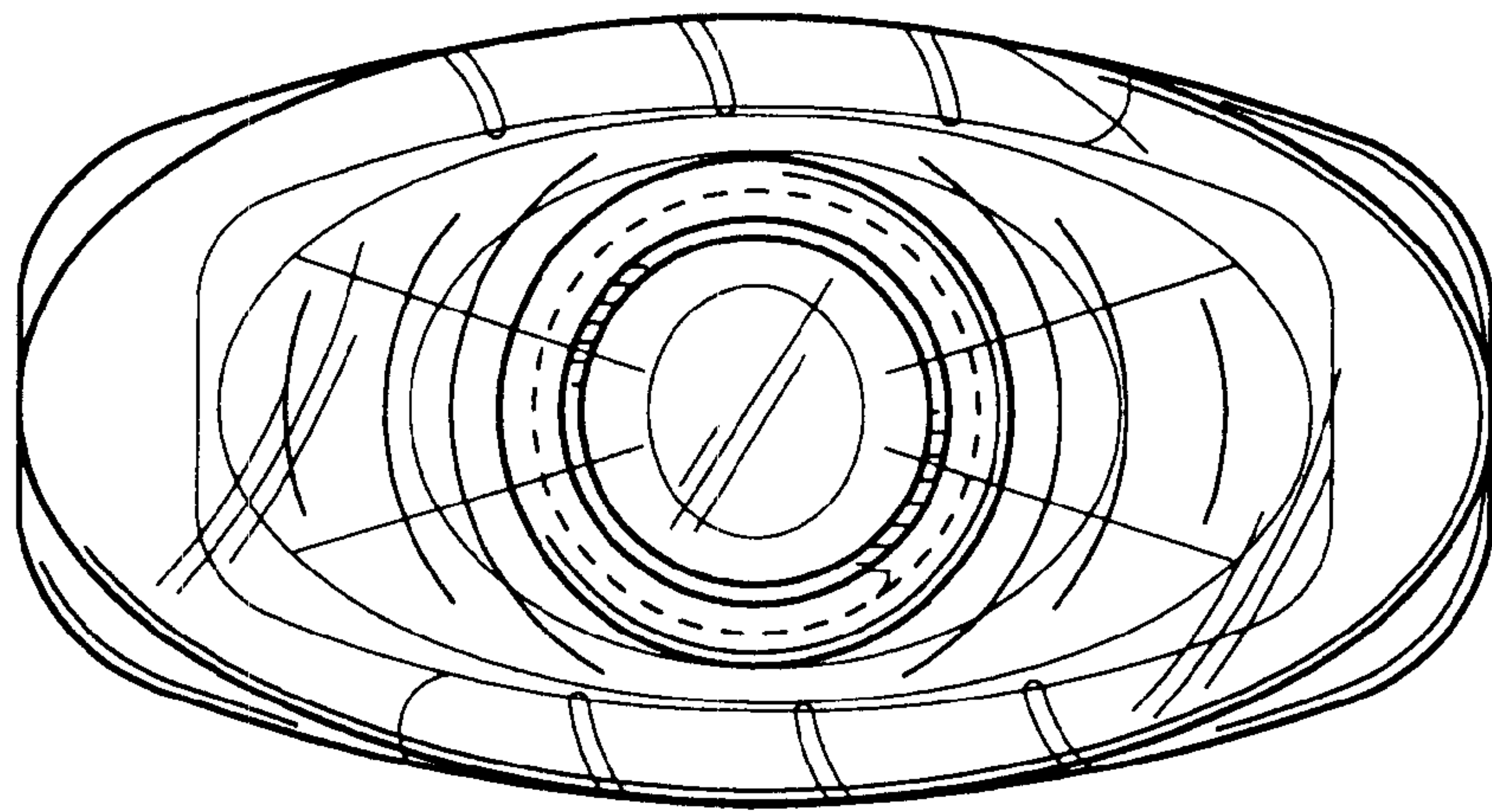


FIG. 6

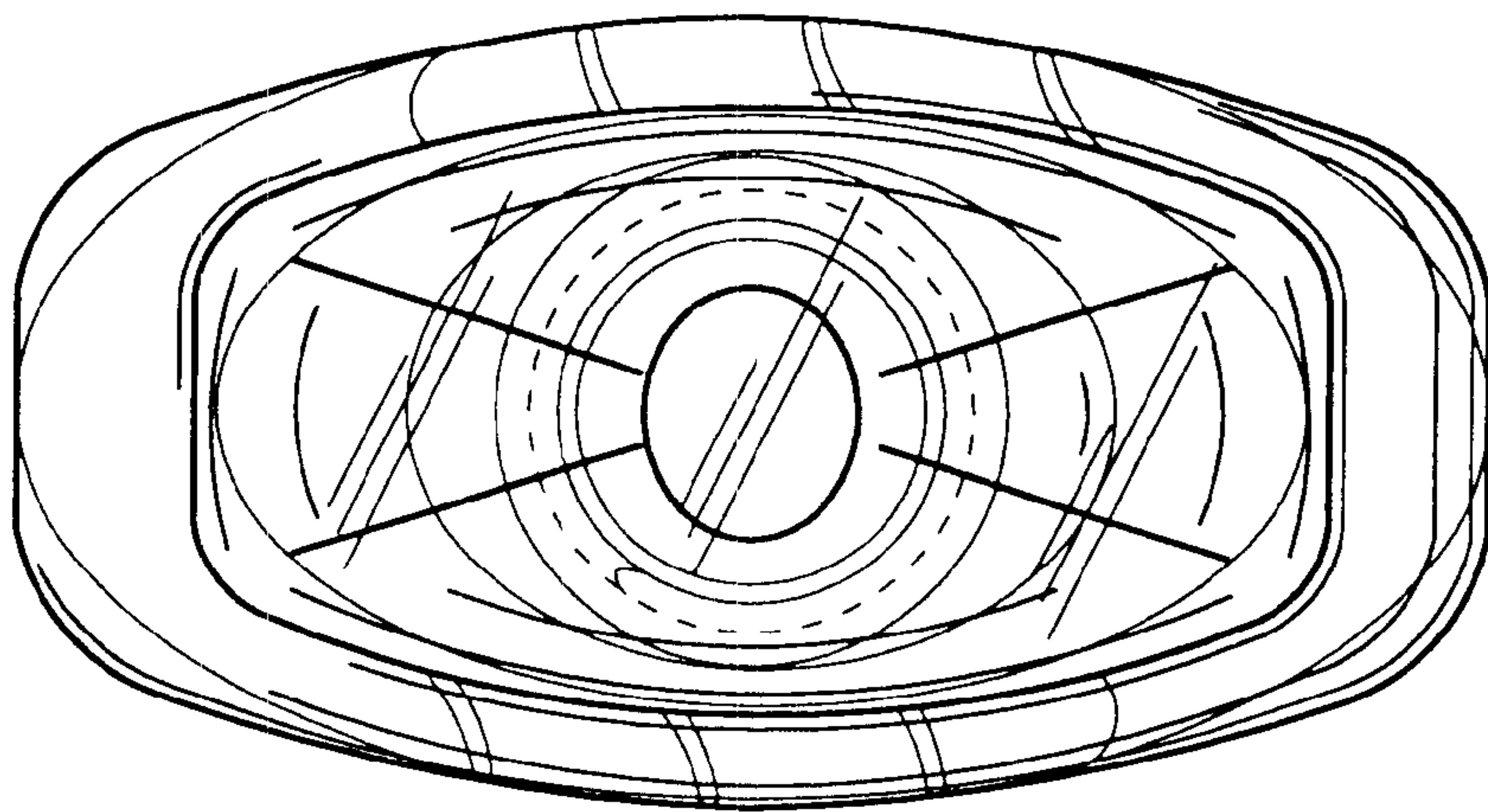


FIG. 7