



US00D462271S

(12) **United States Design Patent** (10) **Patent No.:** **US D462,271 S**
Bourque et al. (45) **Date of Patent:** **** Sep. 3, 2002**

- (54) **BOTTLE** 5,238,129 A 8/1993 Ota
- (75) Inventors: **Raymond A. Bourque**, Plymouth; 5,238,129 A 8/1993 Ota
Ralph T. Coley, Jr., Cohasset, both of D340,190 S 10/1993 Skidmore et al.
MA (US); **Seung Hong**, York, PA (US); 5,279,433 A 1/1994 Krishnakumar et al.
Paul Kelley, Thurmont, MD (US); **Luis** D345,506 S 3/1994 Potts et al.
Carvalho, York, PA (US) 5,303,834 A 4/1994 Krishnakumar et al.
5,337,909 A 8/1994 Vaillencourt
5,341,946 A 8/1994 Vaillencourt et al.
5,392,937 A 2/1995 Prevot et al.
5,472,105 A 12/1995 Krishnakumar et al.
- (73) Assignee: **Ocean Spray Cranberries, Inc.**, 10/1996 Mackinson et al.
Lakeville-Middleboro, MA (US) D374,826 S 10/1996 Mackinson et al.
D378,353 S 3/1997 Emre et al.
D378,662 S 4/1997 Gobe
D379,592 S 6/1997 Doskoczynski
D387,279 S 12/1997 Emre et al.
5,762,221 A 6/1998 Tobias et al.
D412,845 S 8/1999 Miller et al.
5,971,184 A 10/1999 Krishnakumar et al.
- (**) Term: **14 Years** 6,006,952 A 12/1999 Lucas
6,016,932 A 1/2000 Gaydosh et al.
D420,919 S 2/2000 Ogg
6,029,837 A 2/2000 Slat et al.
- (21) Appl. No.: **29/137,382** D421,720 S * 3/2000 Eberle et al. D9/500
- (22) Filed: **Feb. 21, 2001** 6,044,997 A 4/2000 Ogg
D427,067 S 6/2000 Miller et al.
- (51) **LOC (7) Cl.** **09-01** D434,330 S * 11/2000 Rowe et al. D9/538
- (52) **U.S. Cl.** **D9/539** 6,161,713 A 12/2000 Krich
D440,158 S * 4/2001 Bretz et al. D9/539
- (58) **Field of Search** D9/516, 520, 530, 206/527; 215/43, 44, 200, 230, 316, 329, 382, 383, 384, 400; 220/256, 260, 288, 289, 290, 291, 890; 40/310 D440,877 S * 4/2001 Lichtman et al. D9/539
D445,334 S * 7/2001 Bretz et al. D9/434

(56) **References Cited**

U.S. PATENT DOCUMENTS

D214,550 S 7/1969 Plummer
D278,977 S 5/1985 Franchi et al.
D294,225 S * 2/1988 Rogler et al. D9/500
4,749,092 A 6/1988 Sugiura et al.
4,805,788 A 2/1989 Akiho
4,863,046 A 9/1989 Collette et al.
4,877,141 A 10/1989 Hayashi et al.
D308,482 S 6/1990 Wild
D316,968 S 5/1991 York
5,054,632 A 10/1991 Alberghini et al.
D321,830 S * 11/1991 York et al. D9/434
5,064,081 A 11/1991 Hayashi et al.
5,067,622 A 11/1991 Garver et al.
5,092,475 A 3/1992 Krishnakumar et al.
5,141,120 A 8/1992 Brown et al.
5,141,121 A 8/1992 Brown et al.
5,148,930 A 9/1992 Ota et al.
5,165,557 A 11/1992 Ota et al.
5,178,289 A 1/1993 Krishnakumar et al.
5,224,614 A 7/1993 Bono et al.

* cited by examiner

Primary Examiner—Ted Shooman

Assistant Examiner—Daniel Bui

(74) *Attorney, Agent, or Firm*—Pillsbury Winthrop, LLP

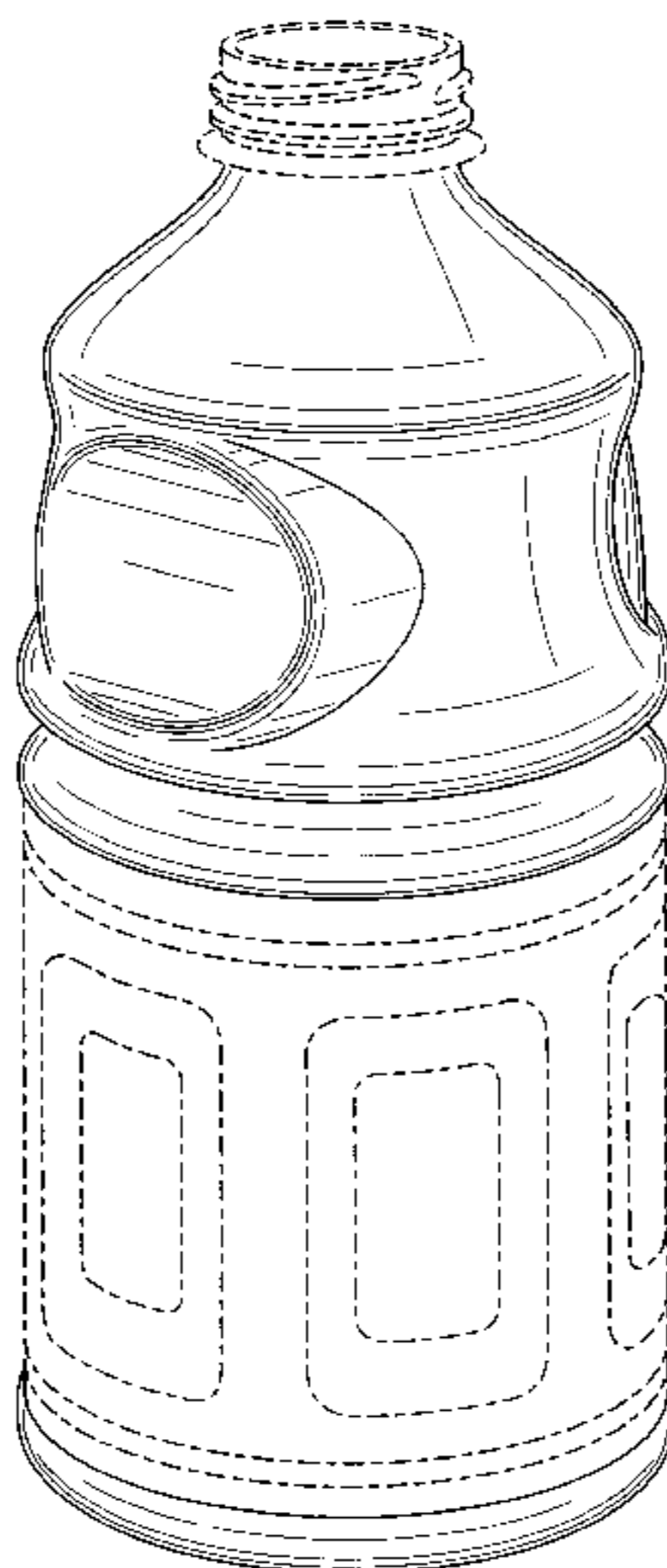
(57) **CLAIM**

The ornamental design for a bottle, as shown and described.

DESCRIPTION

FIG. 1 is a top perspective view of a bottle according to one preferred embodiment of the present invention;
FIG. 2 is a front elevation view of the bottle, with the rear portion thereof being identical thereto;
FIG. 3 is a right side view of the bottle shown in FIG. 2, with the left side view being identical thereto;
FIG. 4 is a top view of the bottle shown in FIG. 2; and,
FIG. 5 is a bottom view of the bottle shown in FIG. 2.

1 Claim, 4 Drawing Sheets



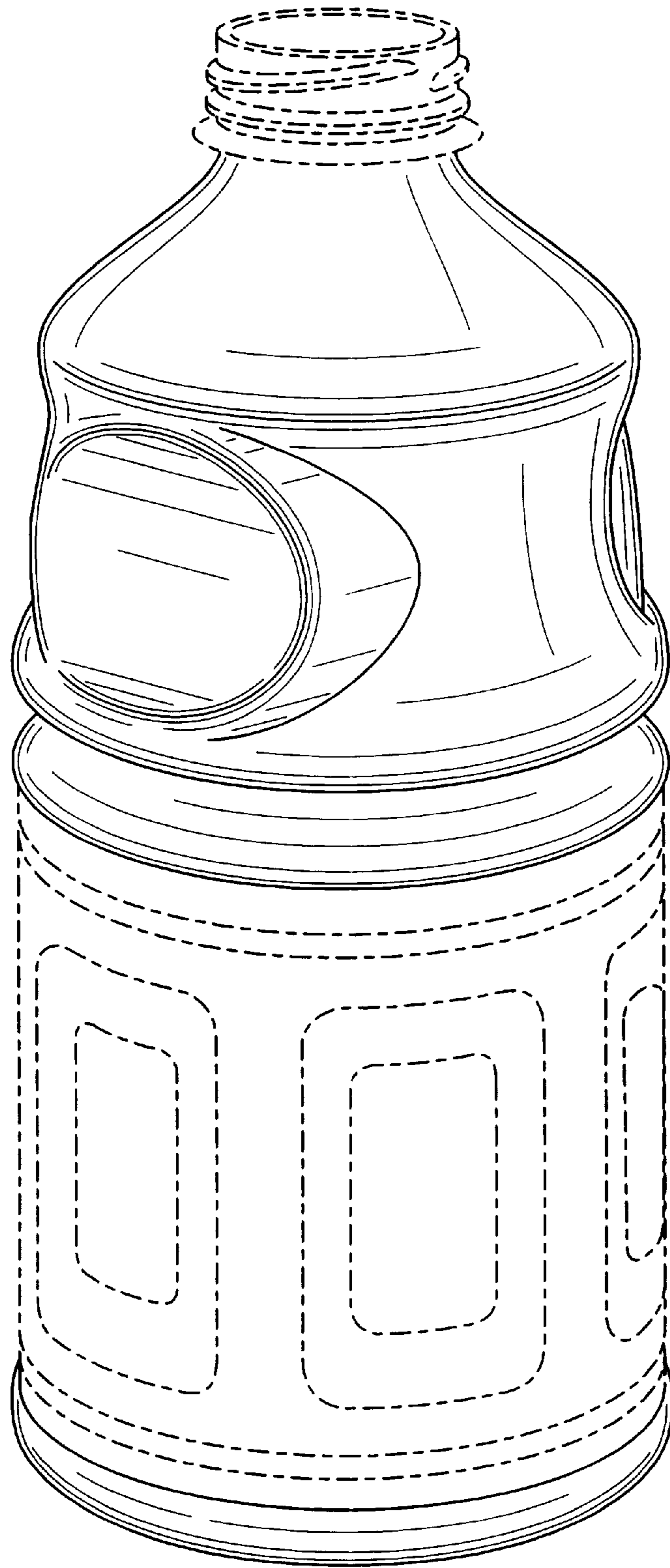


FIG. 1

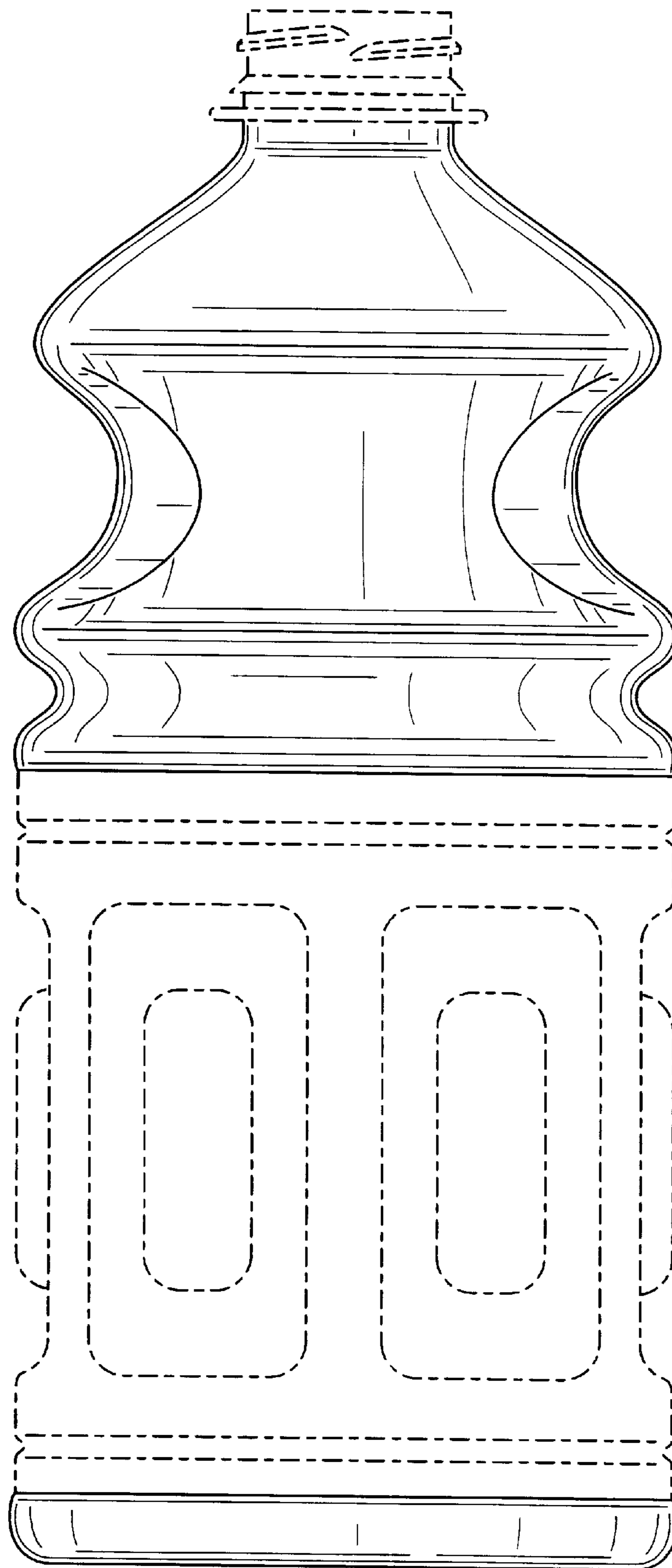


FIG. 2

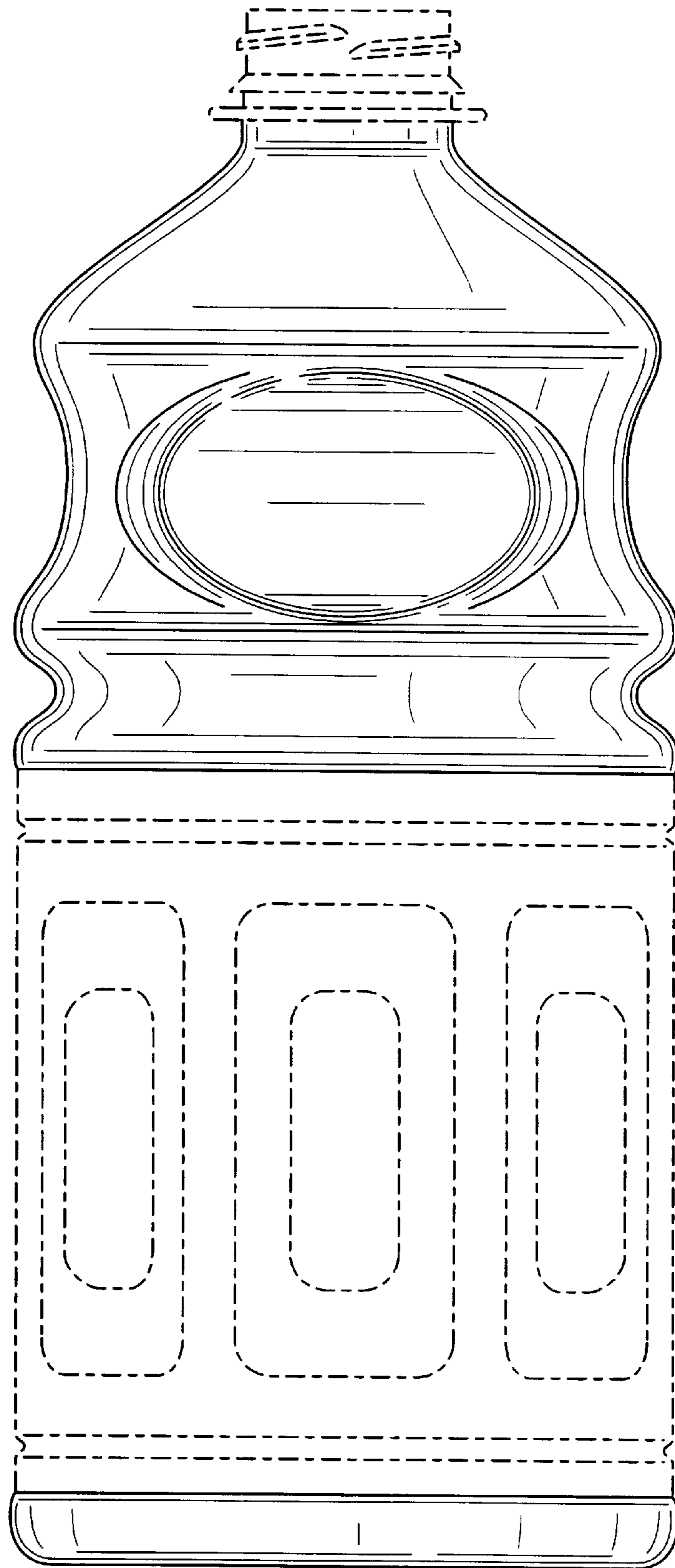


FIG. 3

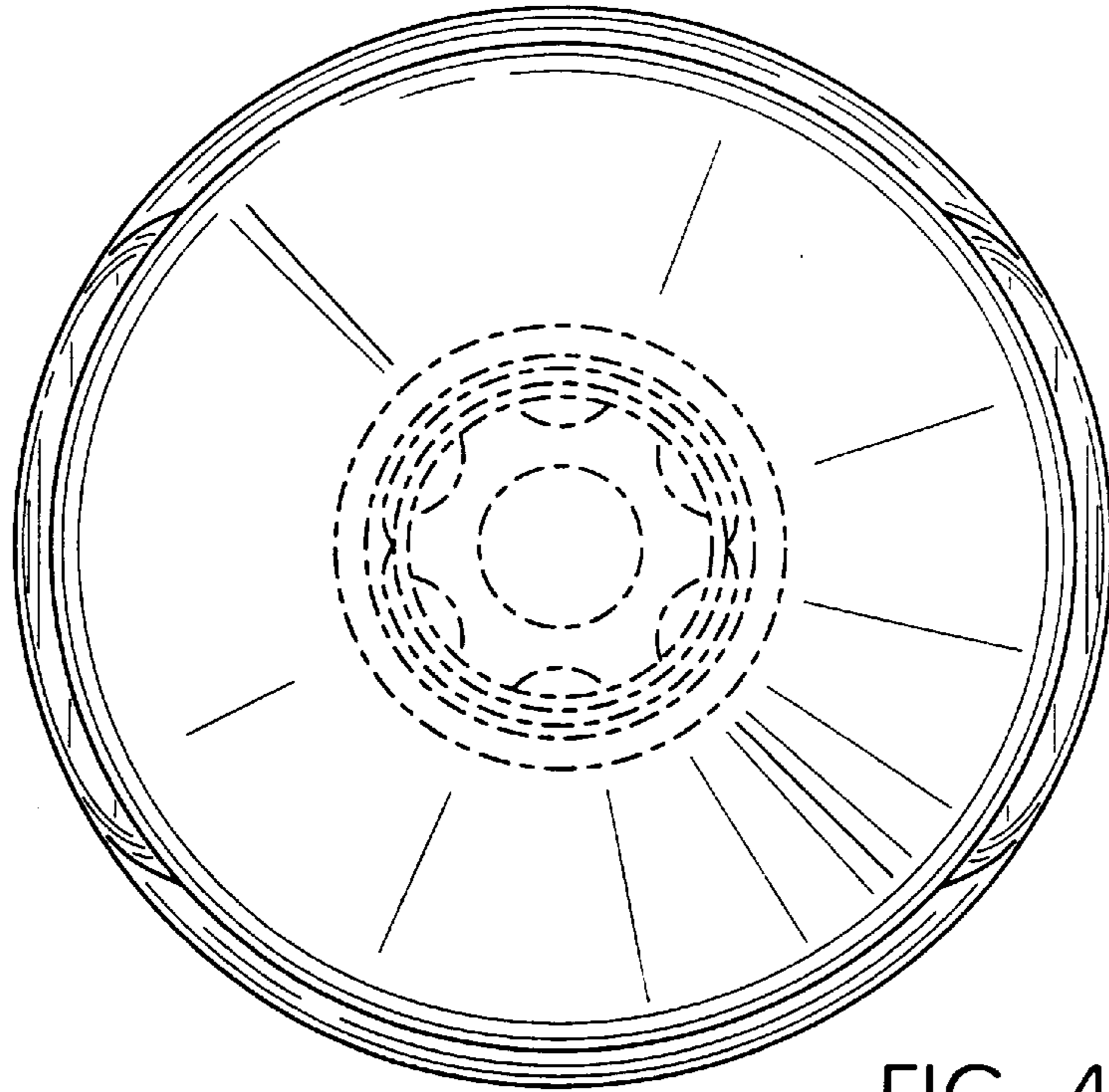


FIG. 4

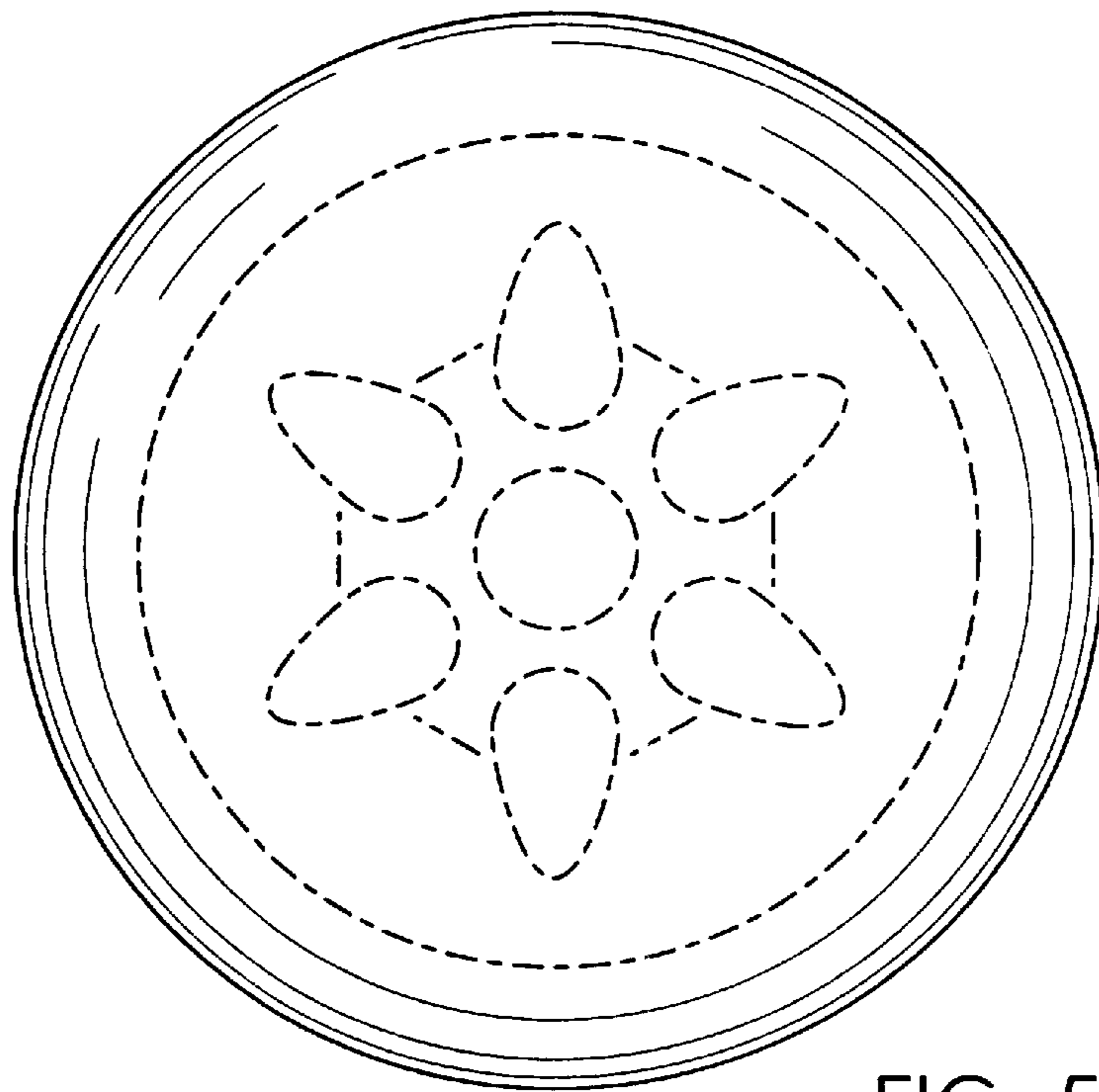


FIG. 5