



US00D462269S

(12) **United States Design Patent**
Hunter et al.

(10) **Patent No.:** **US D462,269 S**

(45) **Date of Patent:** **** Sep. 3, 2002**

(54) **TAMPER RESISTANT CAP SEAL**

(75) Inventors: **John H. Hunter**, Placerville; **Carlos Garcia**, Ontario, both of CA (US)

(73) Assignee: **Russell-Stanley Corporation**, Bridgewater, NJ (US)

(**) Term: **14 Years**

(21) Appl. No.: **29/149,177**

(22) Filed: **Oct. 4, 2001**

(51) **LOC (7) Cl.** **09-07**

(52) **U.S. Cl.** **D9/435; D9/443; D9/454**

(58) **Field of Search** D9/435, 438, 443, D9/454; 215/200, 205, 224; 220/231, 260, 265, 270

(56) **References Cited**

U.S. PATENT DOCUMENTS

D94,835 S	*	3/1935	Jonsson	D9/443
D198,819 S	*	8/1964	Mathews	D9/443
D200,884 S	*	4/1965	Hart	D9/438
D207,033 S	*	2/1967	Bowker	D9/443
4,087,016 A	*	5/1978	Towns et al.	215/224
4,365,721 A	*	12/1982	Montgomery	215/224
D270,140 S	*	8/1983	Berglund	D9/438
D299,009 S	*	12/1988	Schneider	D9/454
5,065,883 A		11/1991	Udel		
D359,685 S	*	6/1995	Luch	D9/438
5,609,262 A		3/1997	Trout		
5,749,484 A		5/1998	Trout		
5,992,657 A	*	11/1999	Friedman	215/224

5,996,833 A		12/1999	Lencioni et al.		
6,161,711 A	*	12/2000	Miceli et al.	215/224
D445,687 S	*	3/2001	Gilbertson	D9/454
6,286,702 B1	*	9/2001	Buermann	220/231

* cited by examiner

Primary Examiner—Dominic Simone

(74) *Attorney, Agent, or Firm*—Hedman & Costigan, P.C.

(57) **CLAIM**

The ornamental design for a tamper resistant cap seal, as shown and described.

DESCRIPTION

FIG. 1 is a perspective view of the tamper resistant cap seal of the present invention.

FIG. 2 is a left side elevation of the tamper resistant cap seal of the present invention.

FIG. 3 is a right side elevation of the tamper resistant cap seal of the present invention.

FIG. 4 is a front elevation of the tamper resistant cap seal of the present invention.

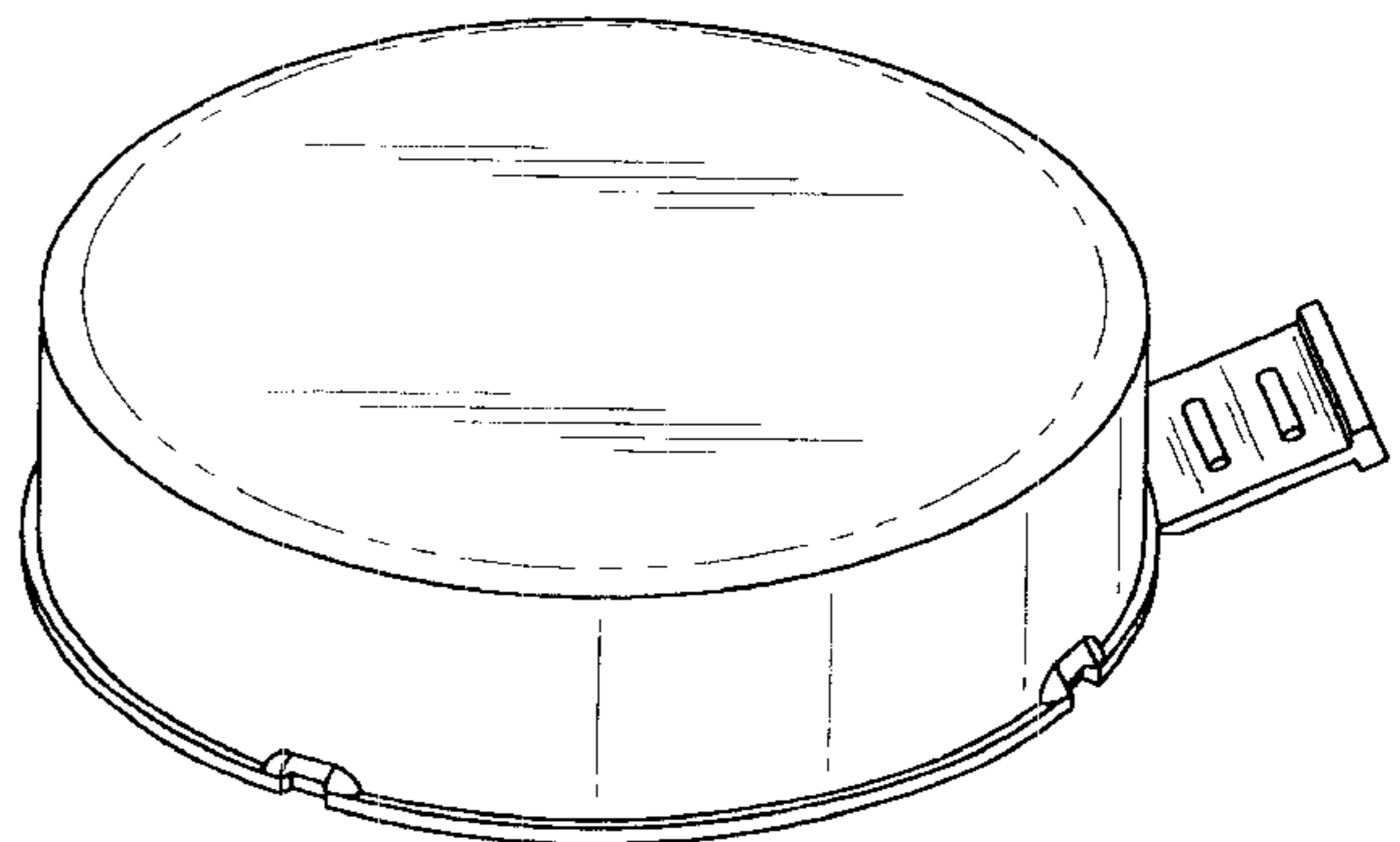
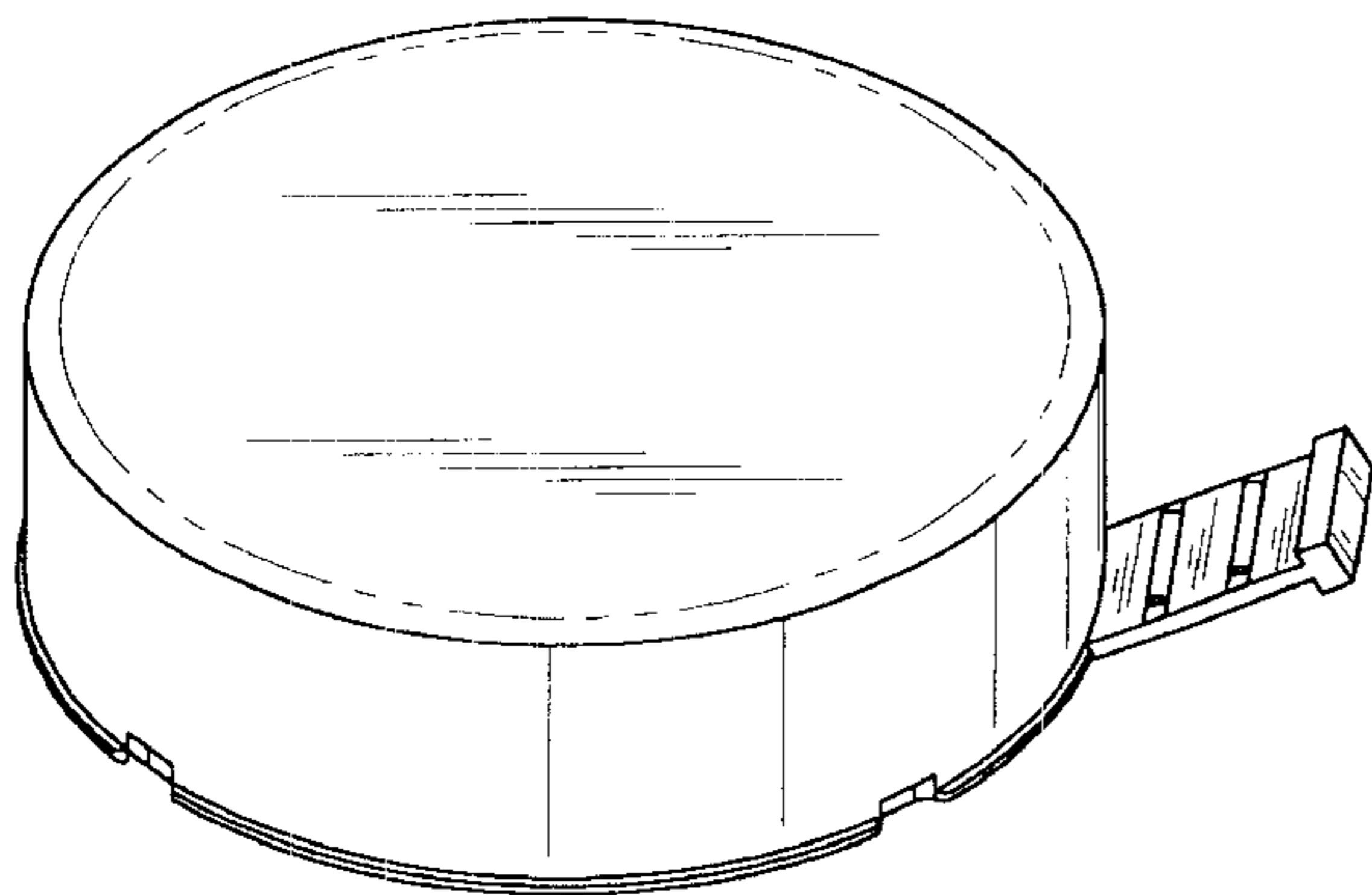
FIG. 5 is a back elevation of the tamper resistant cap seal of the present invention.

FIG. 6 is the plan view of the tamper resistant cap seal of the present invention;

FIG. 7 is a bottom view of the tamper resistant cap seal of the present invention; and,

FIG. 8 is a perspective view of the tamper resistant cap seal of the present invention with an alternative design about the side notches.

1 Claim, 5 Drawing Sheets



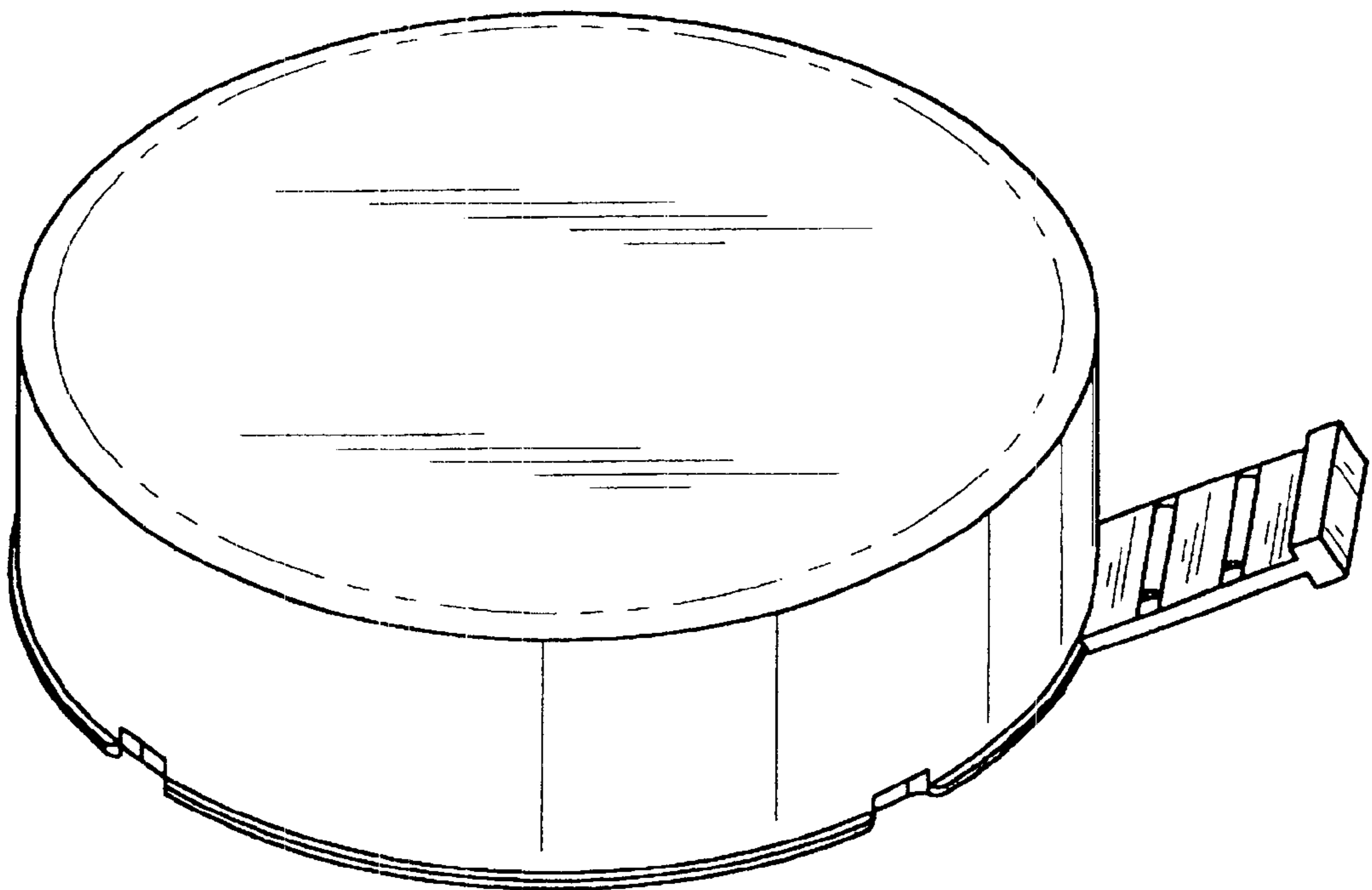


FIG. 1

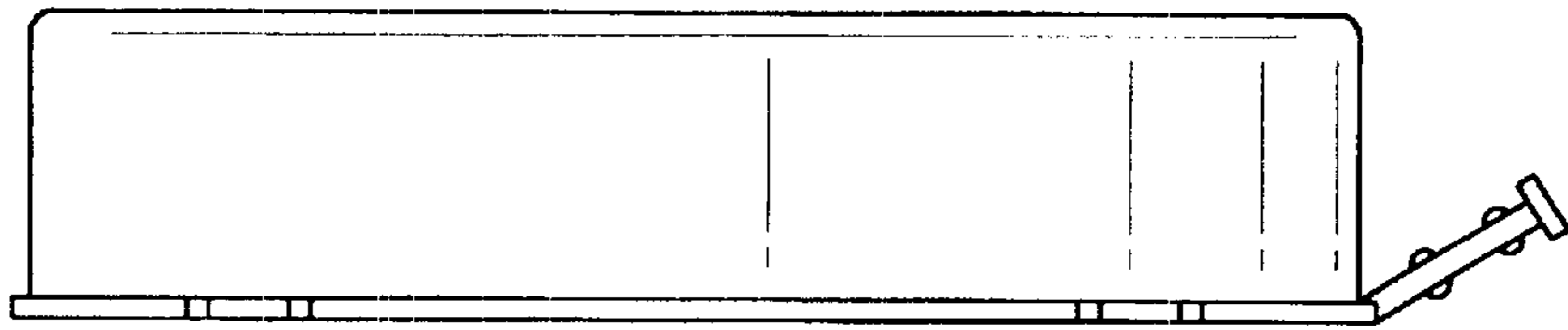


FIG. 2

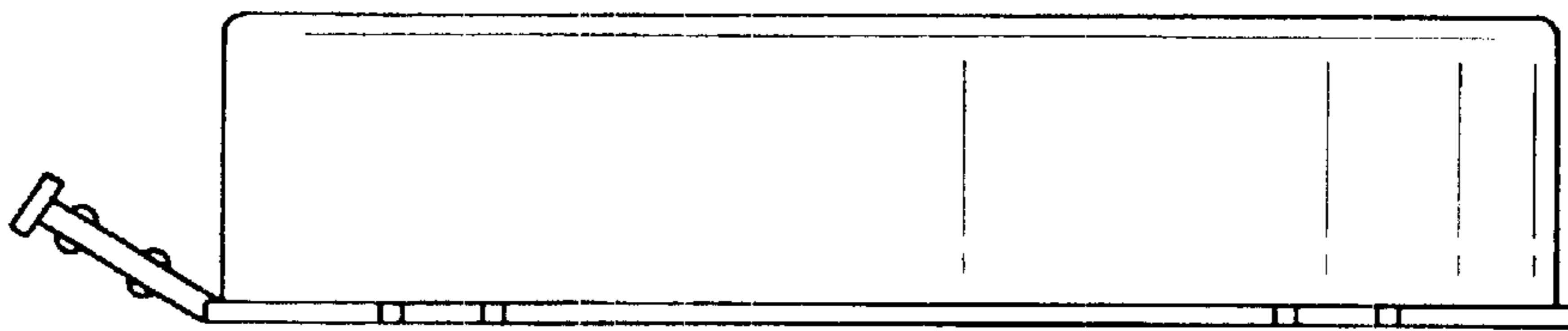


FIG. 3

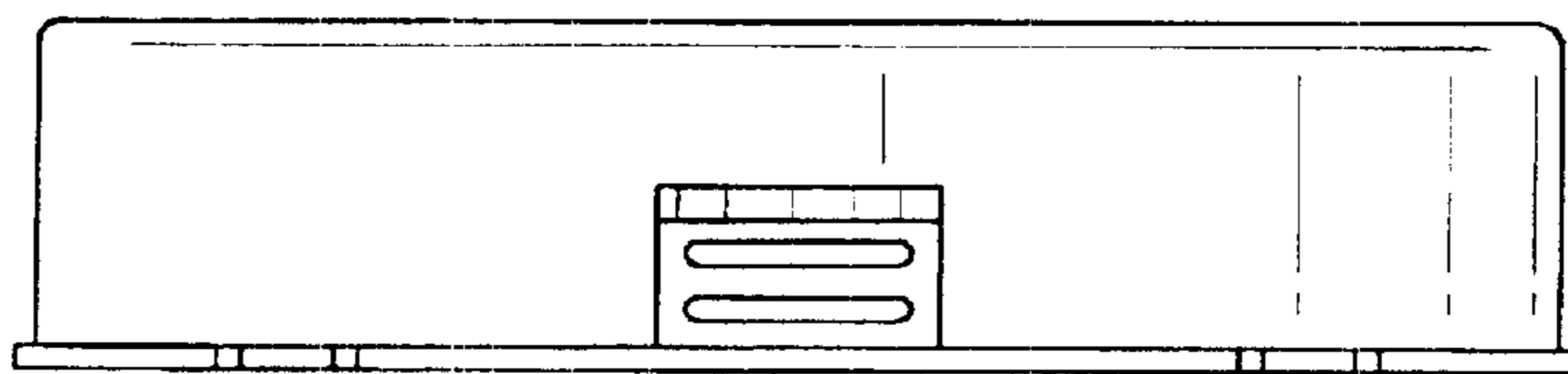


FIG. 4

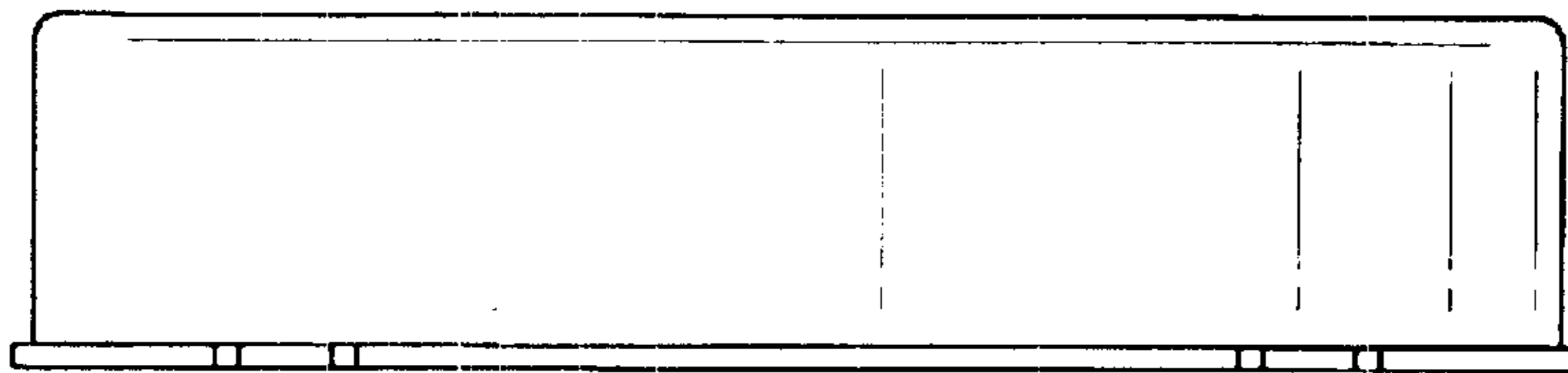


FIG. 5

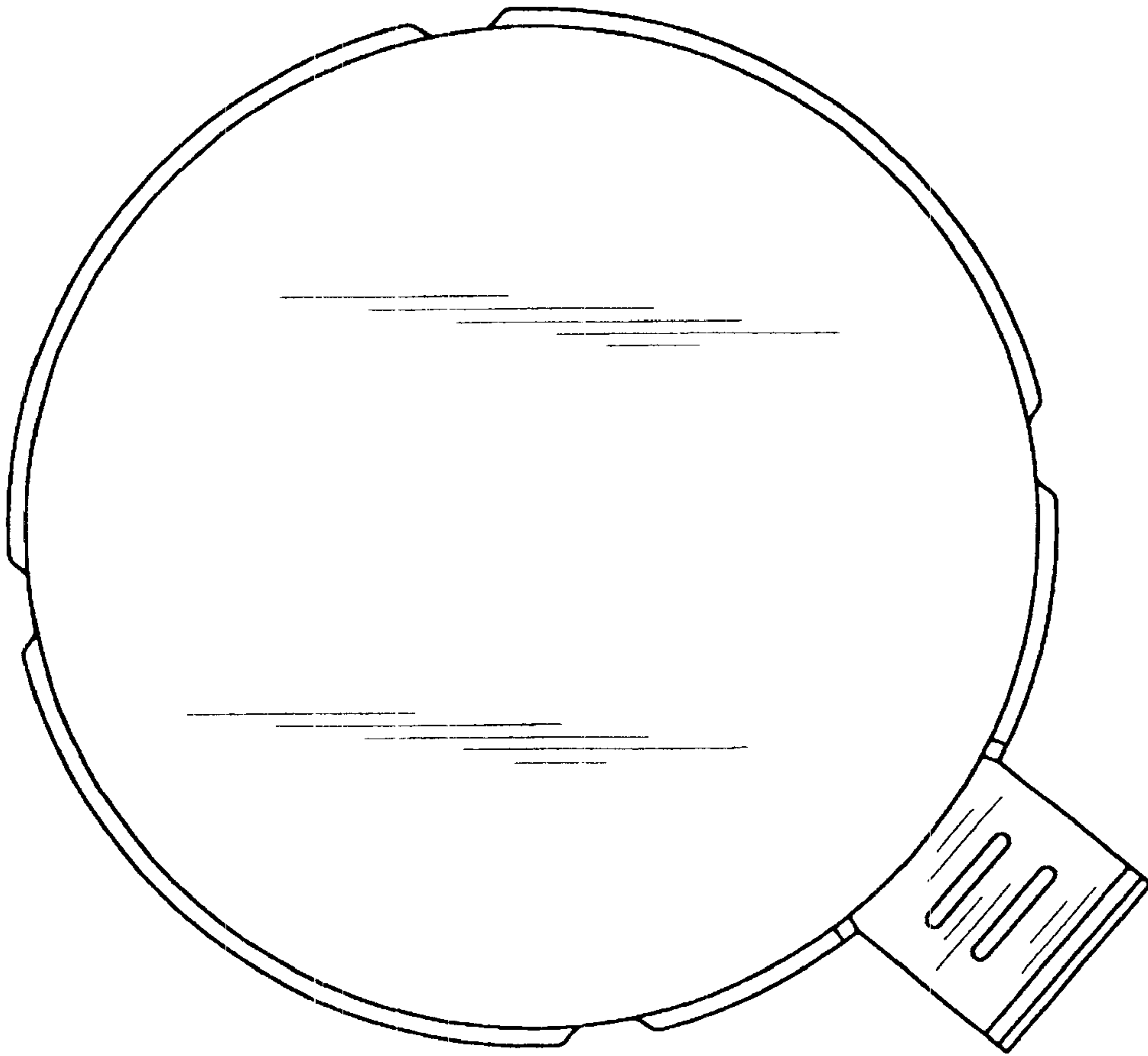


FIG. 6

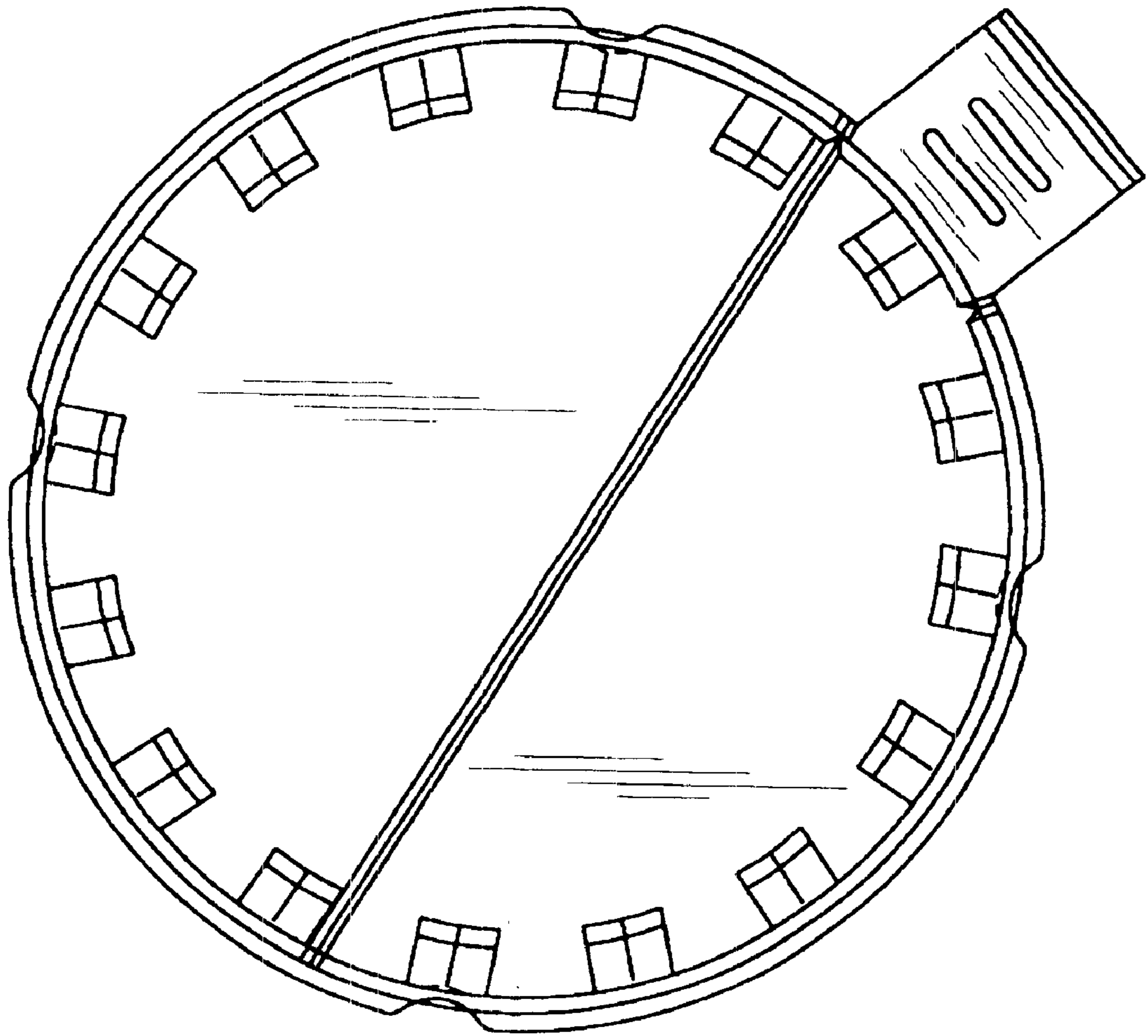


FIG. 7

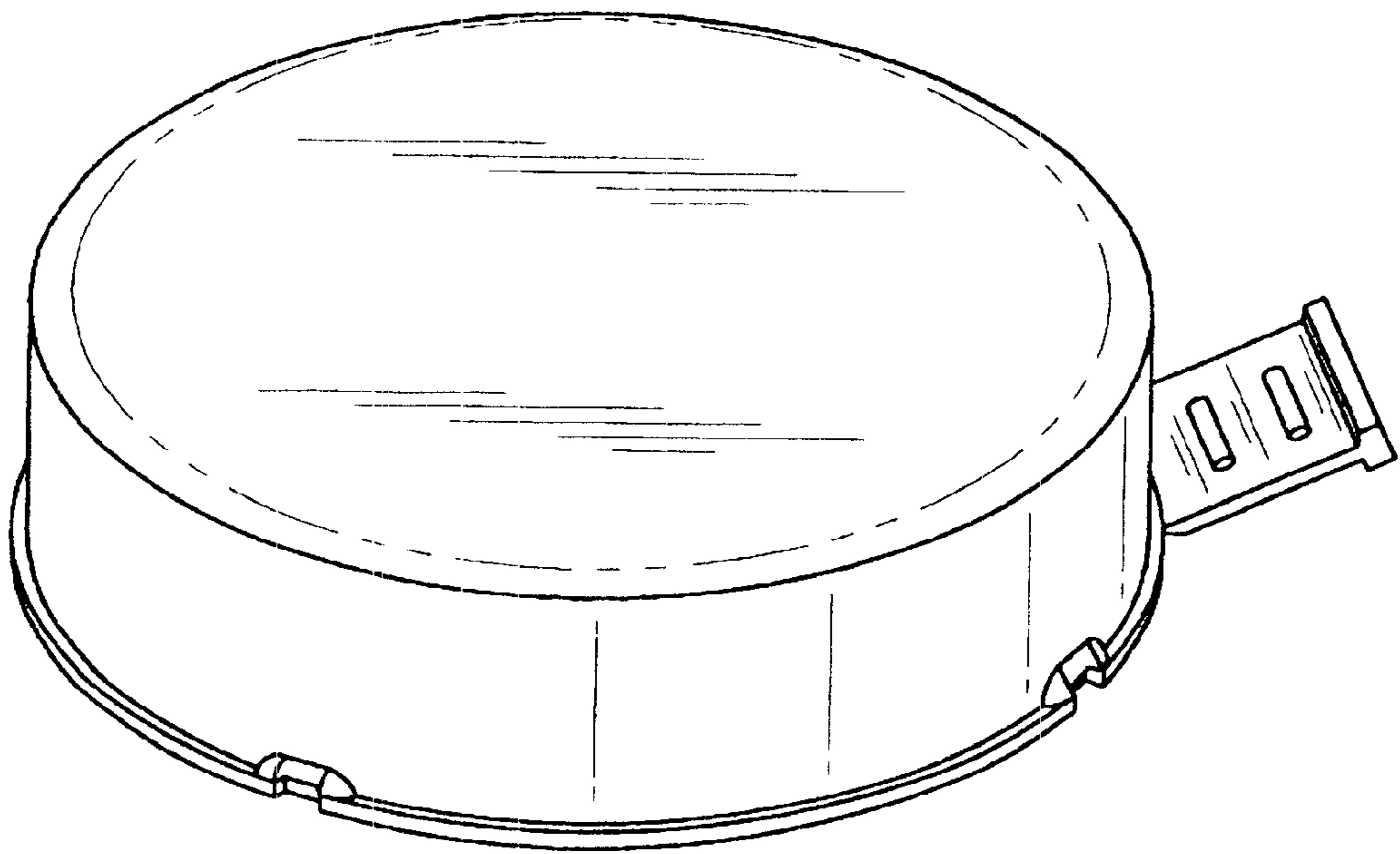


FIG. 8