



US00D462261S

(12) **United States Design Patent**
Davis

(10) **Patent No.:** **US D462,261 S**

(45) **Date of Patent:** **** Sep. 3, 2002**

(54) **COMPRESSED FABRIC ARTICLE PACKAGE
HAVING A SIMULATED CALIFORNIA MAP
SHAPE**

D266,738 S * 11/1982 Cooper D9/307
D354,094 S * 1/1995 Klein D21/480

* cited by examiner

(76) **Inventor:** **Alan Davis**, 5830 Oberlin Dr., Suite
202, San Diego, CA (US) 92121

Primary Examiner—Terry A. Wallace

(74) *Attorney, Agent, or Firm*—Brown, Martin, Haller &
McClain, LLP

(**) **Term:** **14 Years**

(57) **CLAIM**

(21) **Appl. No.:** **29/146,134**

The ornamental design for a compressed fabric article
package having a simulated California map shape, as shown.

(22) **Filed:** **Aug. 4, 2001**

DESCRIPTION

(51) **LOC (7) Cl.** **09-03**

(52) **U.S. Cl.** **D9/307**

(58) **Field of Search** D9/307; D19/61;
D21/480; 206/457; 229/116.1–116.5

FIG. 1 is a right front perspective view of a compressed
fabric article package having a simulated California map
shape, showing my new design;

FIG. 2 is a left side elevational view;

FIG. 3 is a rear view thereof;

FIG. 4 is a top plan view thereof; and,

FIG. 5 is a bottom plan view thereof.

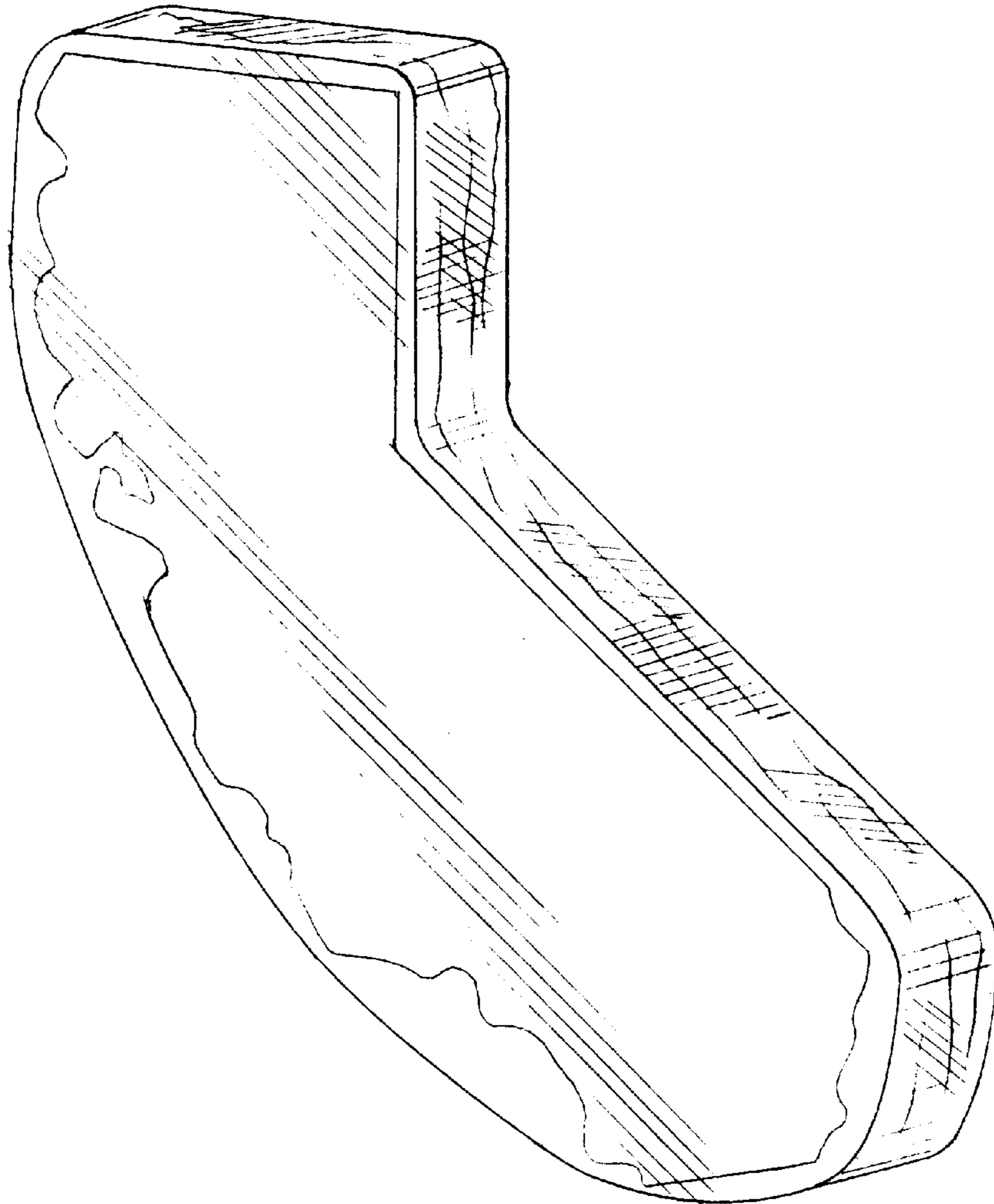
(56) **References Cited**

U.S. PATENT DOCUMENTS

D190,457 S * 5/1961 Fleming D19/61 X

D265,866 S * 8/1982 Levin D9/307 X

1 Claim, 1 Drawing Sheet



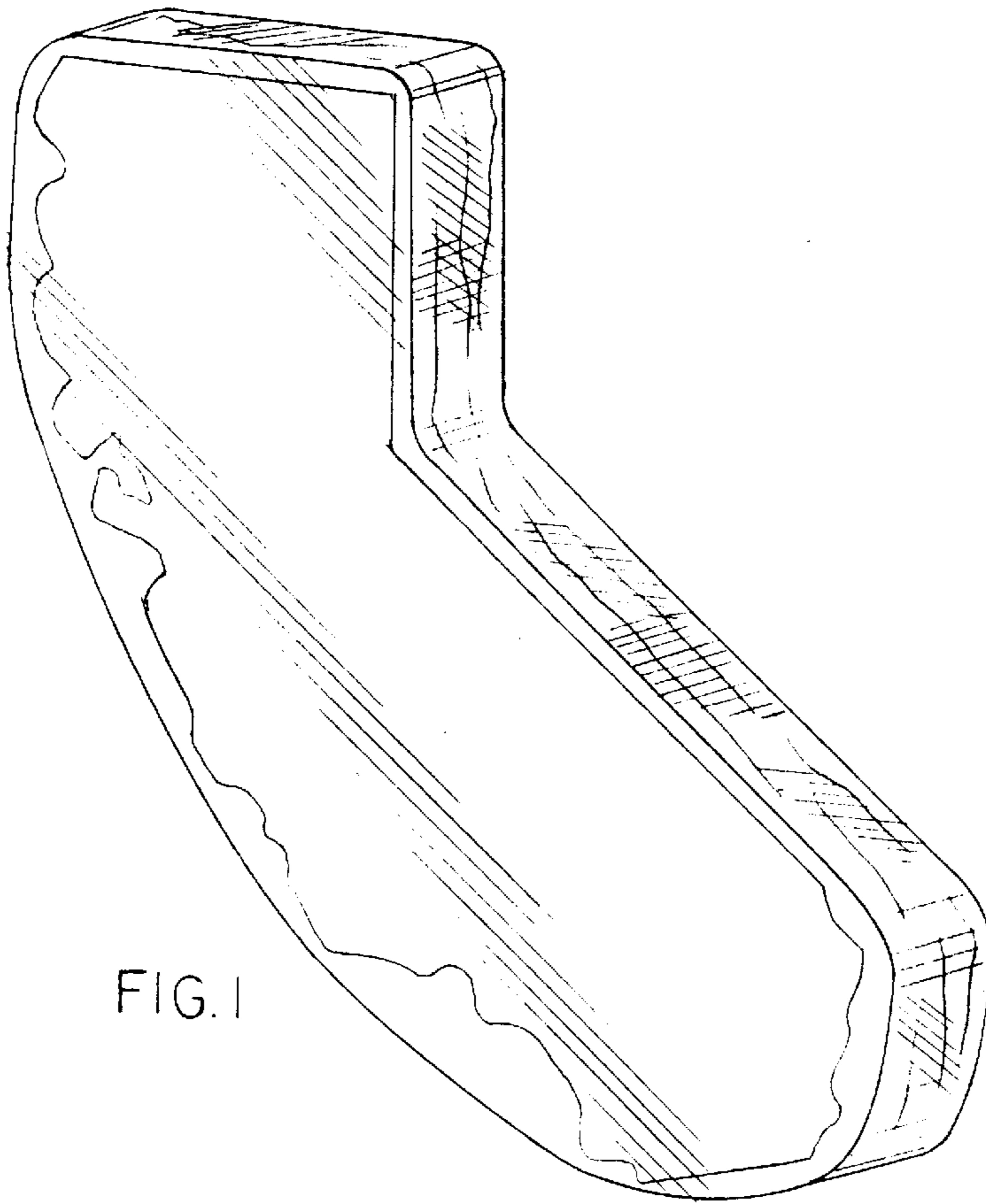


FIG. 1

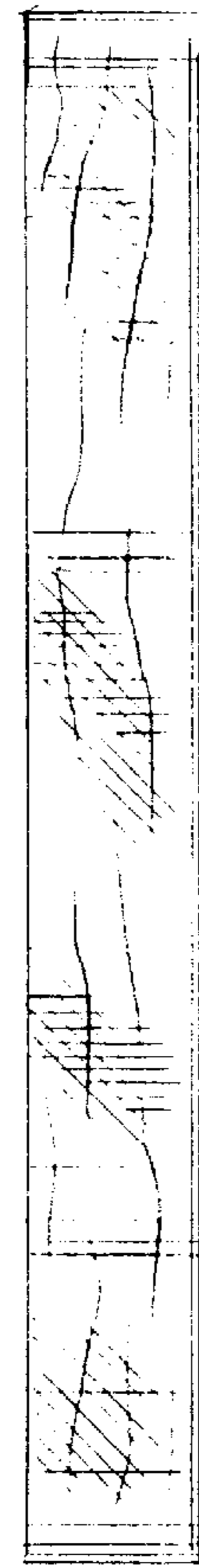


FIG. 2

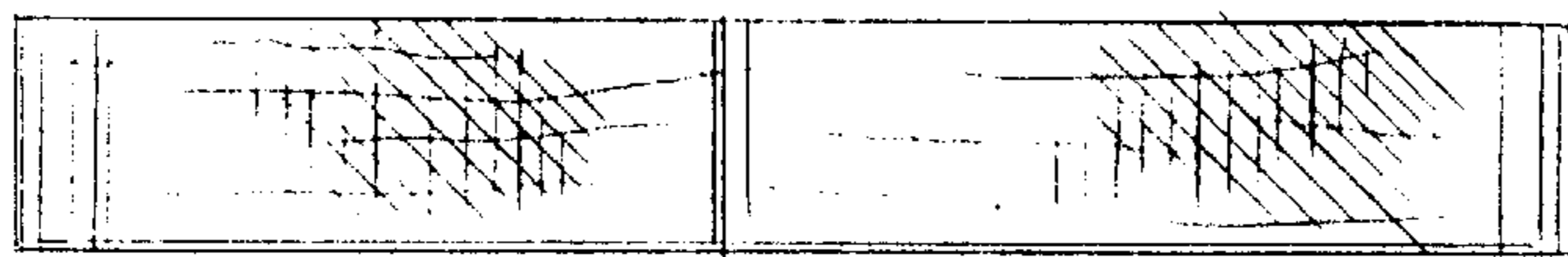


FIG. 4

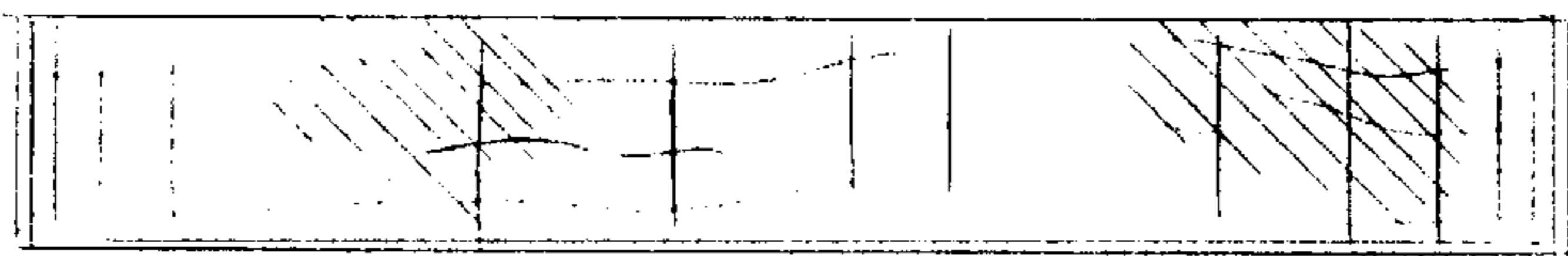


FIG. 5

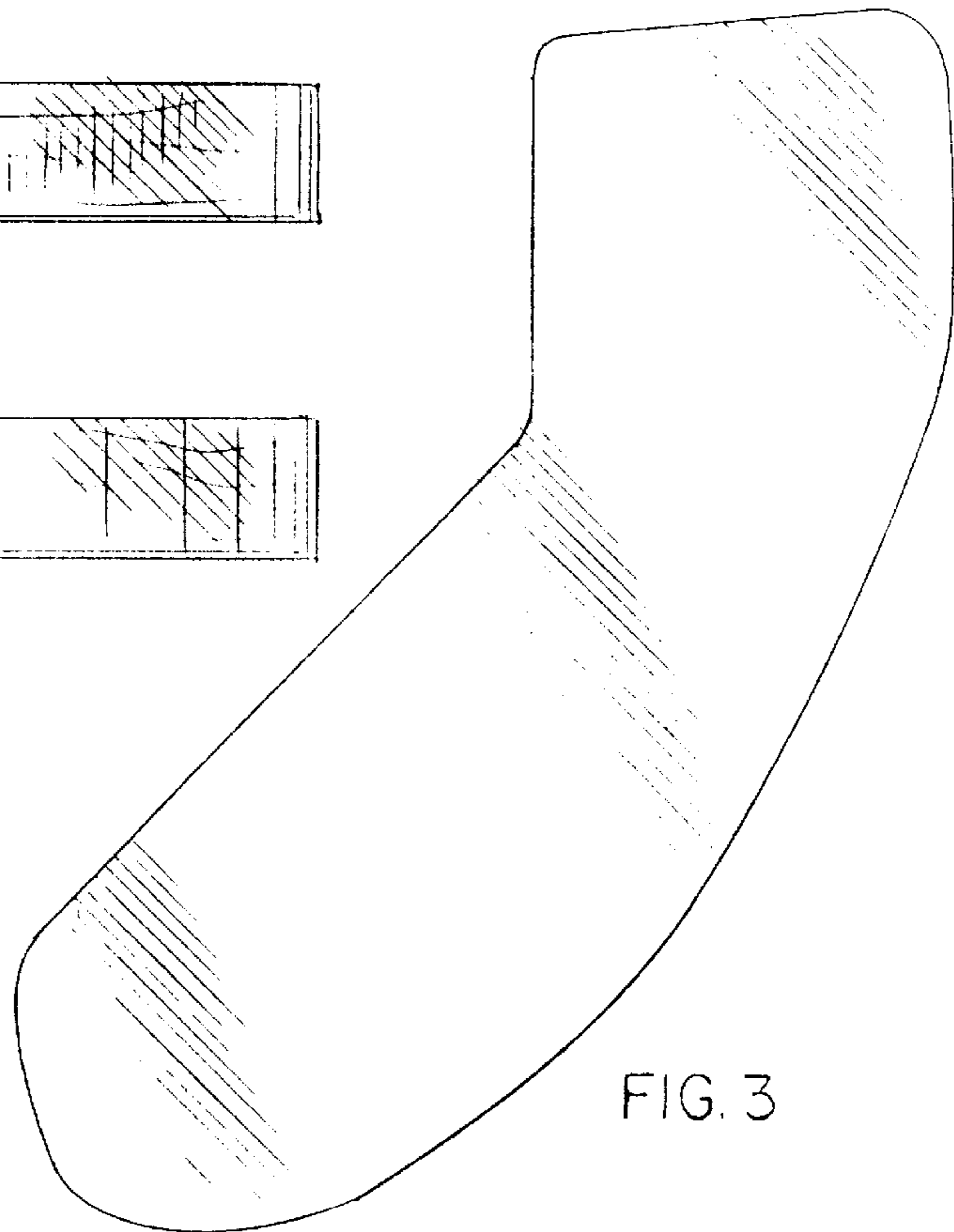


FIG. 3