

US00D462256S

(12) **United States Design Patent**
Jaynes

(10) **Patent No.:** **US D462,256 S**

(45) **Date of Patent:** **** Sep. 3, 2002**

(54) **CONSTANT VELOCITY JOINT COUPLING FLANGE**

(76) **Inventor:** **Jesse B. Jaynes**, 6475 Simon Way, Paradise, CA (US) 95969

(**) **Term:** **14 Years**

(21) **Appl. No.:** **29/137,360**

(22) **Filed:** **Feb. 16, 2001**

(51) **LOC (7) Cl.** **08-08**

(52) **U.S. Cl.** **D8/382; D12/160**

(58) **Field of Search** **D8/382; D15/5; D12/159, 160, 161; 301/137, 105.1, 106; D23/259, 262; 74/821, 813 R, 548**

(56) **References Cited**

U.S. PATENT DOCUMENTS

2,619,389	A	*	11/1952	James	
D201,096	S	*	5/1965	Russell	
D334,051	S	*	3/1993	Fell, Sr.	D23/262
D358,119	S	*	5/1995	Winter	D12/160
D385,956	S	*	11/1997	Doughty et al.	D23/259
D413,290	S	*	8/1999	Hinwood	D12/159

OTHER PUBLICATIONS

Photograph identified as Rockwell Standard Bore Flange, Part No. 48SF-SRB Date of manufacture: Unknown.

* cited by examiner

Primary Examiner—Alan P. Douglas

Assistant Examiner—Clare E. Heflin

(74) *Attorney, Agent, or Firm*—R. Michael West; Boutin, Dentino, Gibson, Di Giusto, Hodell & West

(57) **CLAIM**

The ornamental design for a constant velocity joint coupling flange, as shown and described.

DESCRIPTION

FIG. 1 is a perspective view, of the rear side of a constant velocity joint coupling flange, showing my new design;

FIG. 2 is a perspective view of the front side, thereof;

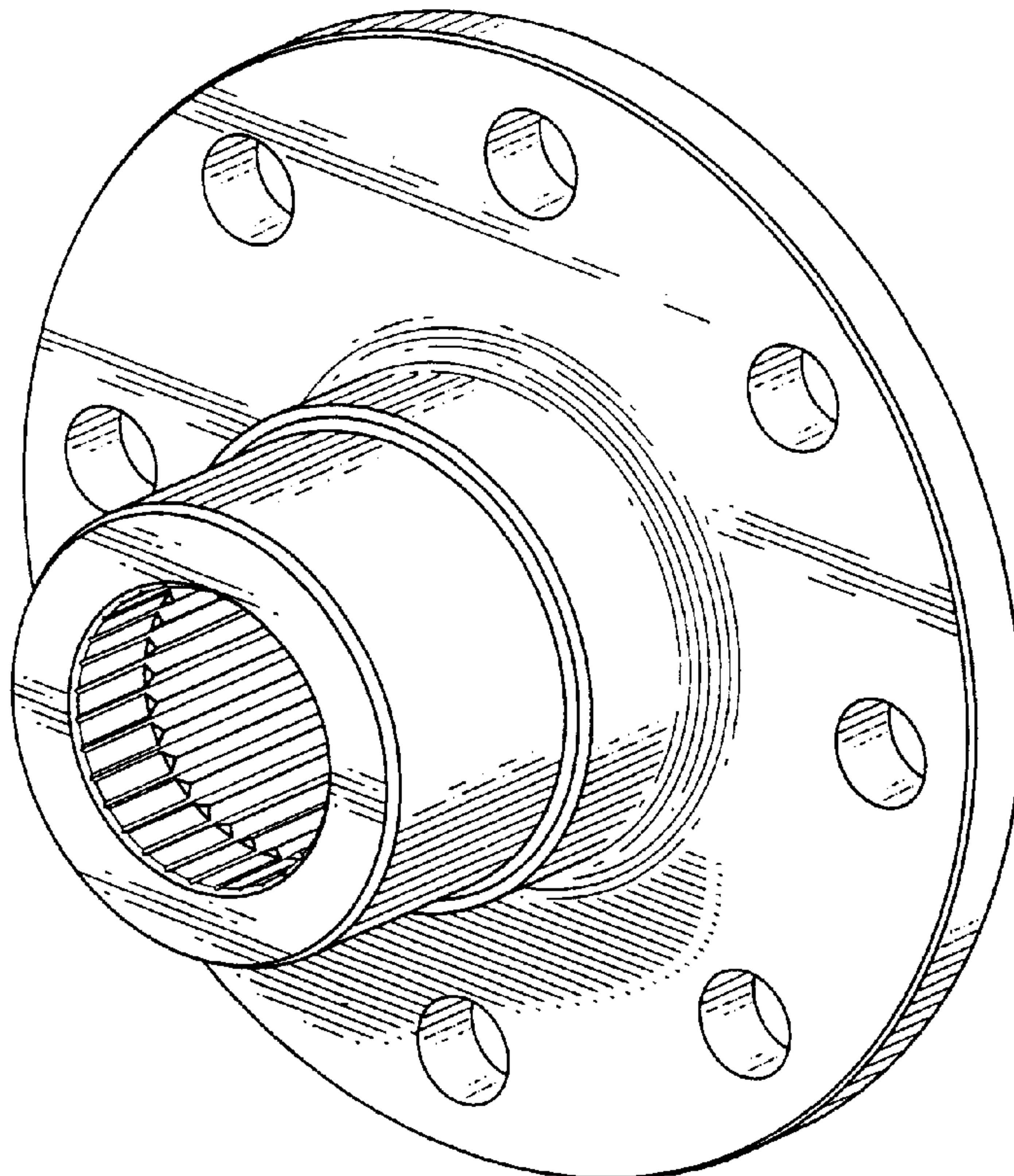
FIG. 3 is a front elevational view, thereof;

FIG. 4 is a rear elevational view, thereof;

FIG. 5 is a side elevational view, the opposite side elevational view being substantially a minor image thereof; and,

FIG. 6 is a side elevational view taken to a reduced scale, the broken line representations of the automotive transfer case, the drive line, and the differential being shown solely for illustrative purposes, forming no part of the claimed design.

1 Claim, 2 Drawing Sheets



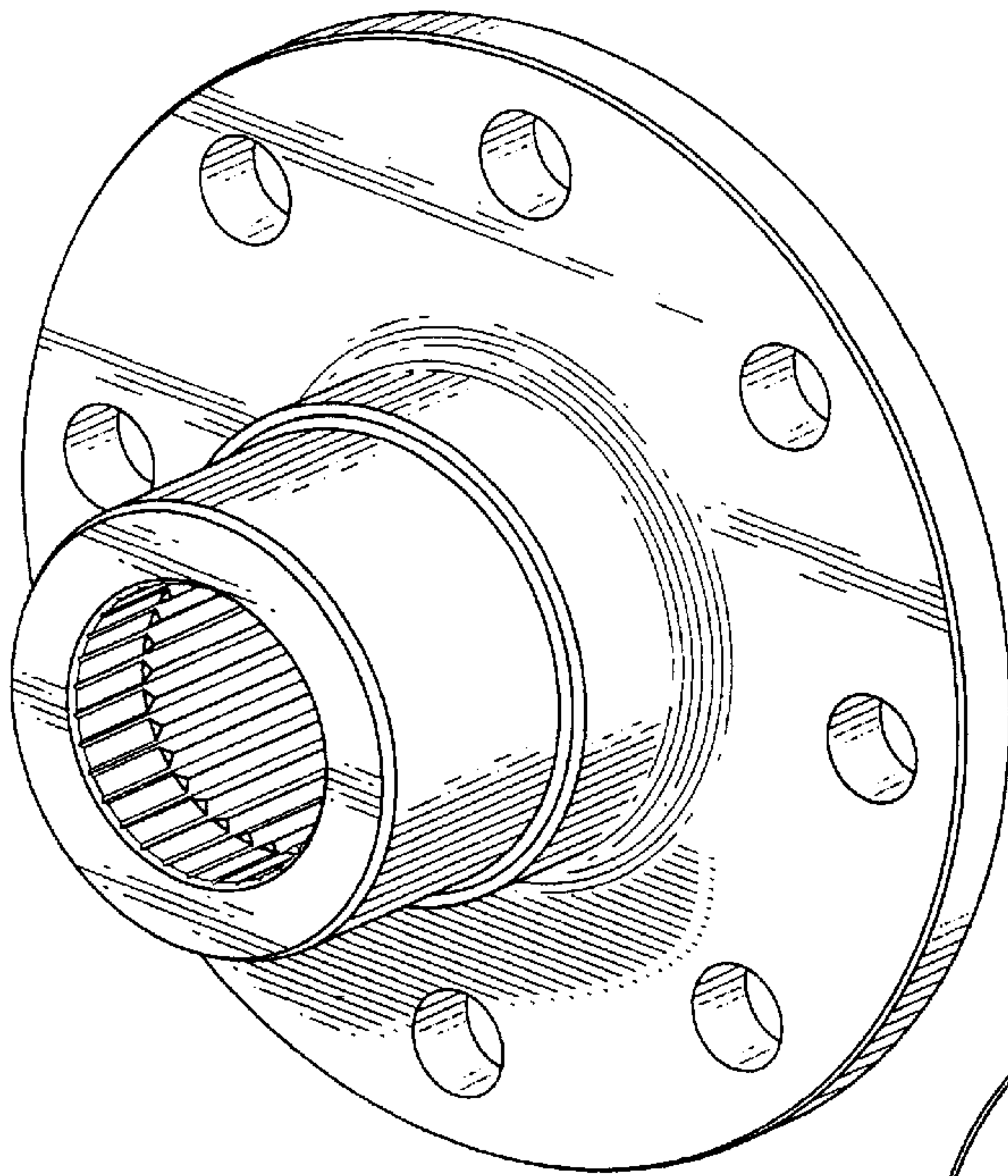


Fig. 1

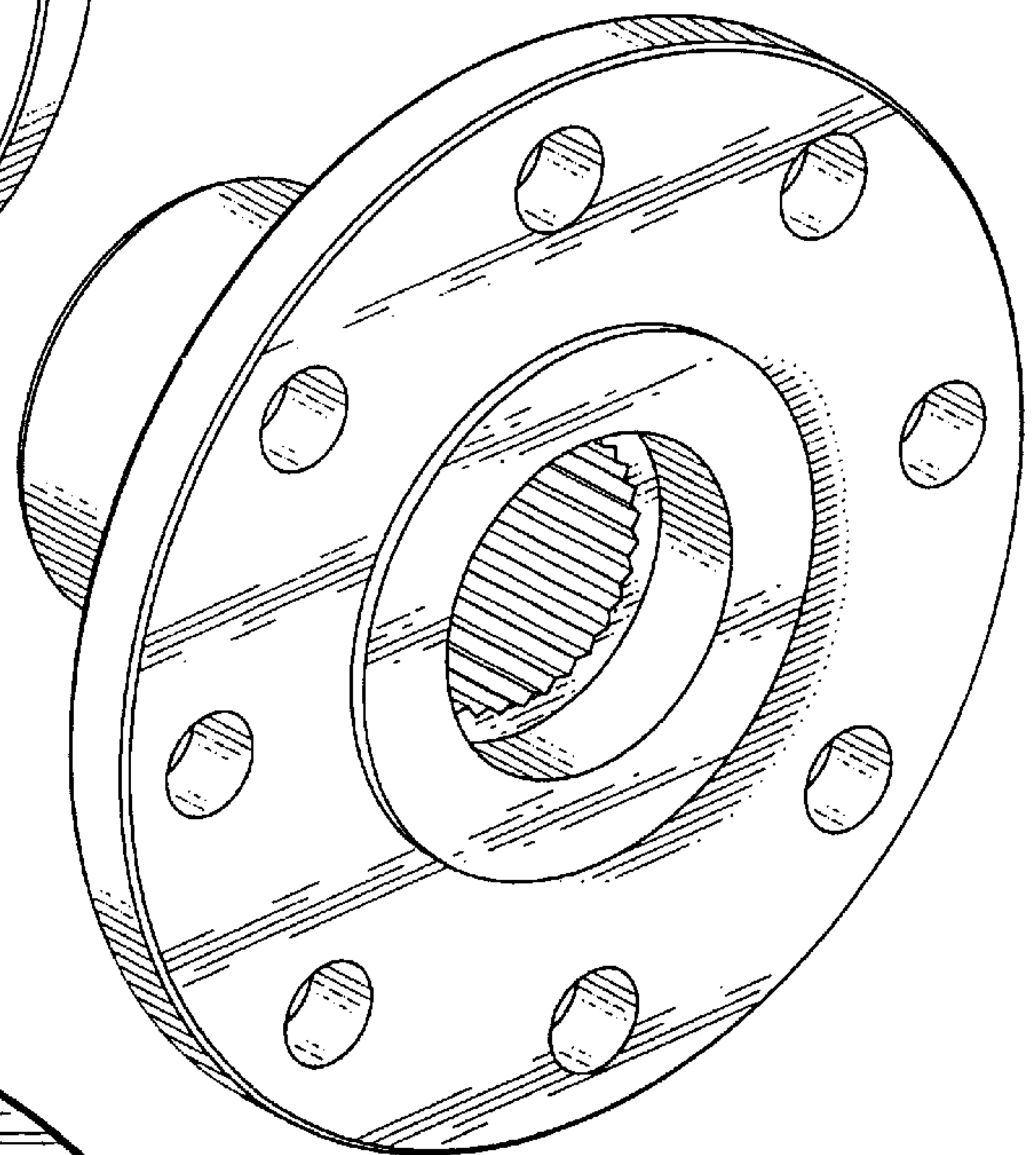


Fig. 2

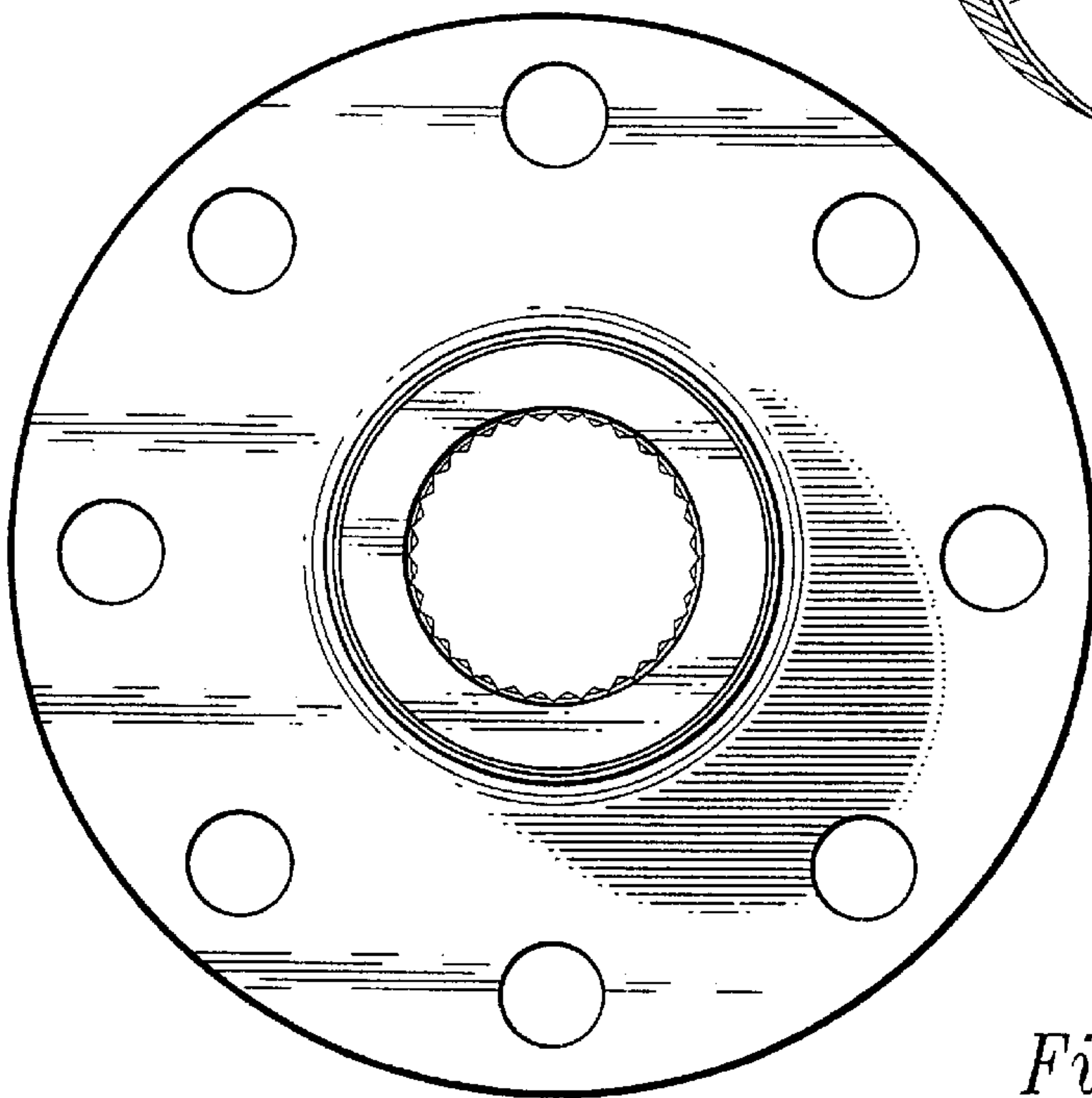


Fig. 3

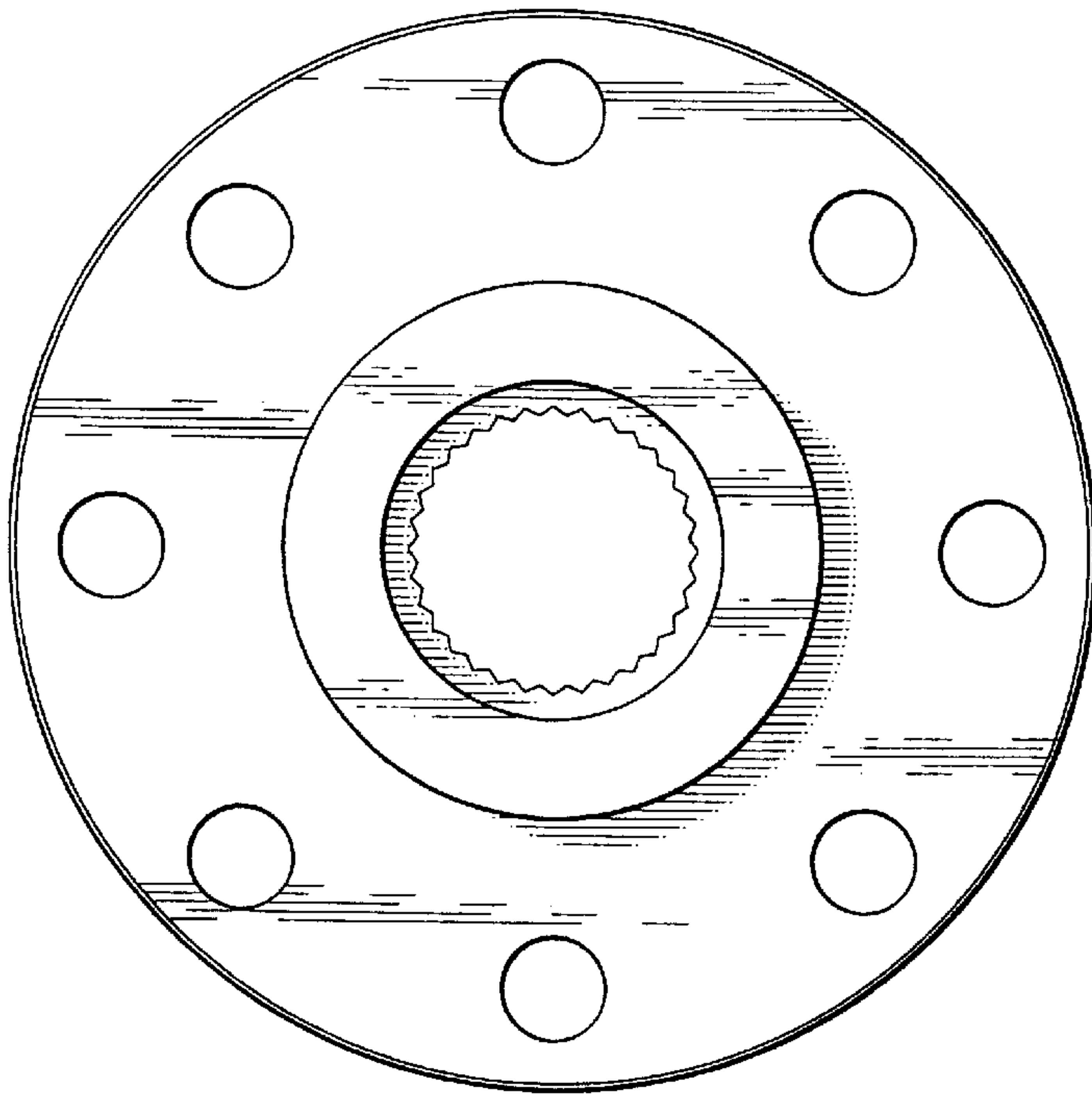


Fig. 4

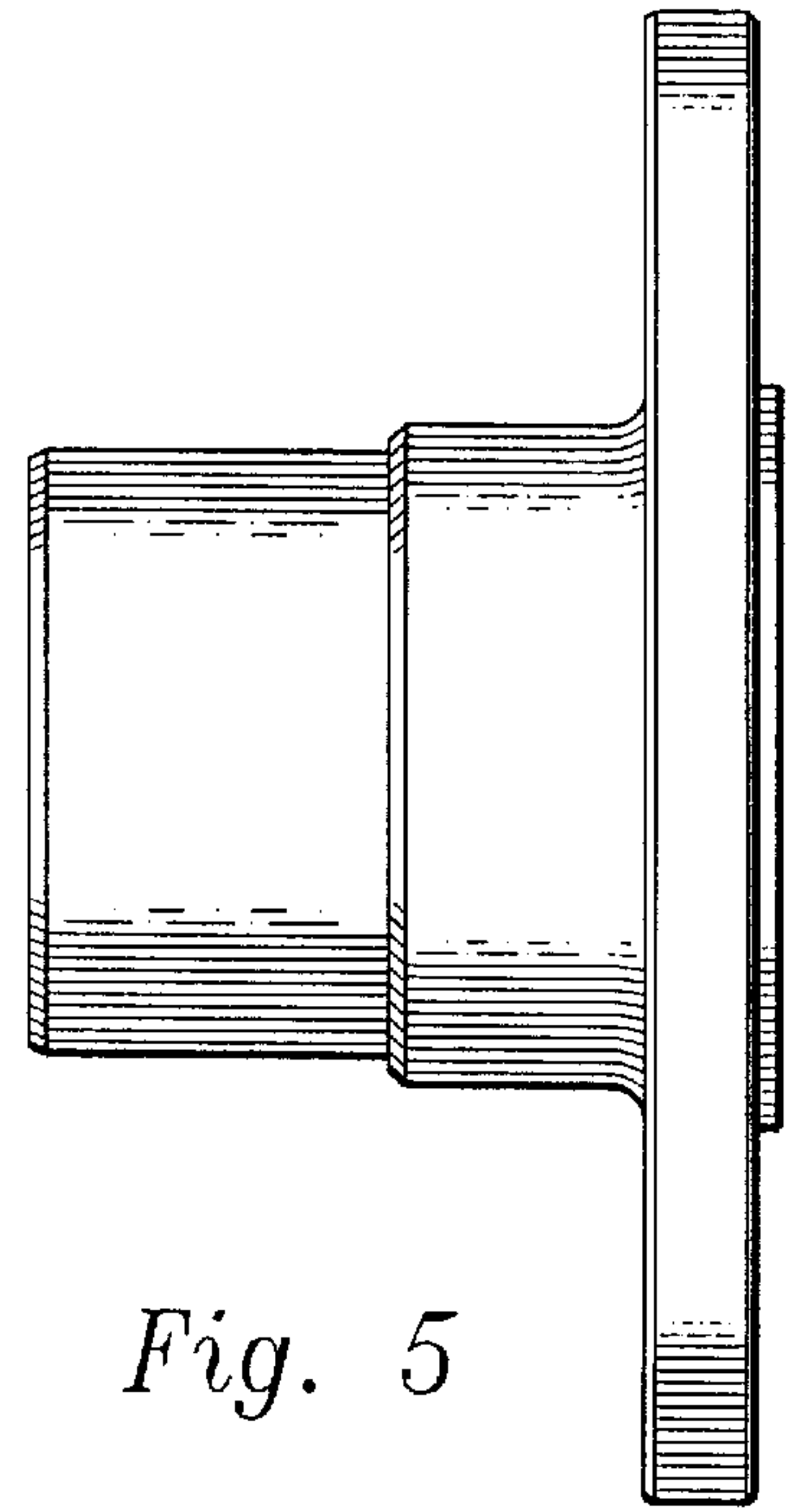


Fig. 5

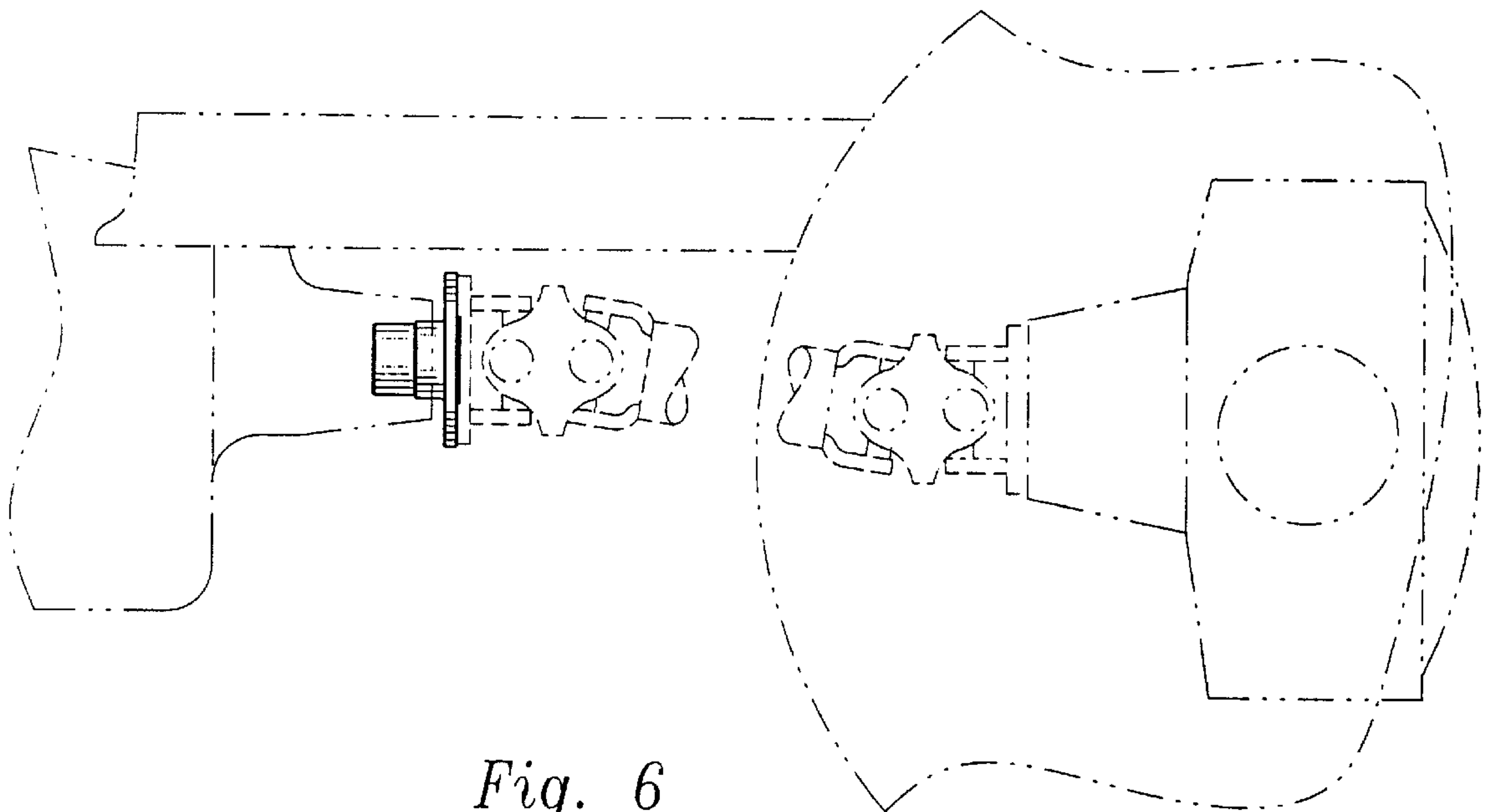


Fig. 6