



US00D462254S

(12) **United States Design Patent**
Wright et al.

(10) **Patent No.:** **US D462,254 S**

(45) **Date of Patent:** **** Sep. 3, 2002**

(54) **WALL MOUNTABLE HOSE HANGER**

D341,767 S * 11/1993 Brueske D8/356
6,079,675 A * 6/2000 Hsu 248/75

(75) Inventors: **Daniel L. Wright**, Poway; **James H. Wright**, Corte Madera; **John D. Strayer**, Chula Vista, all of CA (US)

* cited by examiner

Primary Examiner—Doris V. Coles

Assistant Examiner—Elizabeth A. Albert

(73) Assignee: **Richmond Engineering, Inc.**, Poway, CA (US)

(74) *Attorney, Agent, or Firm*—Richard D. Clarke

(**) Term: **14 Years**

(57) **CLAIM**

The ornamental design for a wall mountable hose hanger, as shown and described.

(21) Appl. No.: **29/148,623**

DESCRIPTION

(22) Filed: **Sep. 24, 2001**

(51) **LOC (7) Cl.** **08-05**

(52) **U.S. Cl.** **D8/356**

(58) **Field of Search** D8/349, 354, 355,
D8/356, 373, 380, 381; 211/60.1, 86.01,
87.01, 63; 239/195; 248/65, 75, 80, 89,
309.1, 317

FIG. 1 is a perspective view of a wall mountable hose hanger;

FIG. 2 is a side elevational view of a wall mountable hose hanger, for which the opposite side view is a mirror image of same;

FIG. 3 is a front elevational view of a wall mountable hose hanger on a reduced scale;

FIG. 4 is a rear elevational view of a wall mountable hose hanger on a reduced scale;

FIG. 5 is a top view of a wall mountable hose hanger on a reduced scale; and,

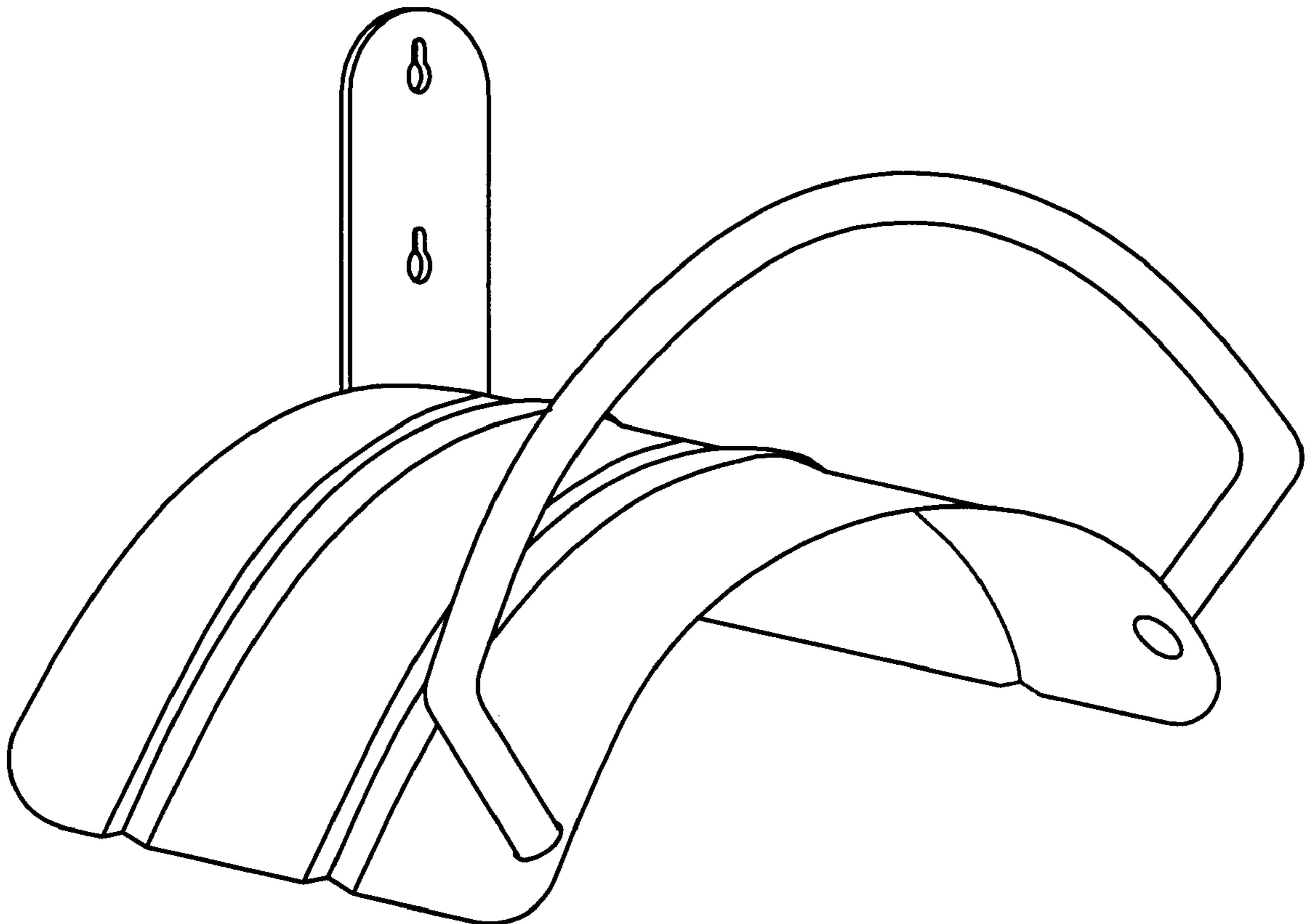
FIG. 6 is a bottom view of a wall mountable hose hanger on a reduced scale.

(56) **References Cited**

U.S. PATENT DOCUMENTS

D243,488 S * 3/1977 Linse D8/356
D274,487 S * 7/1984 Eads et al. D8/356

1 Claim, 2 Drawing Sheets



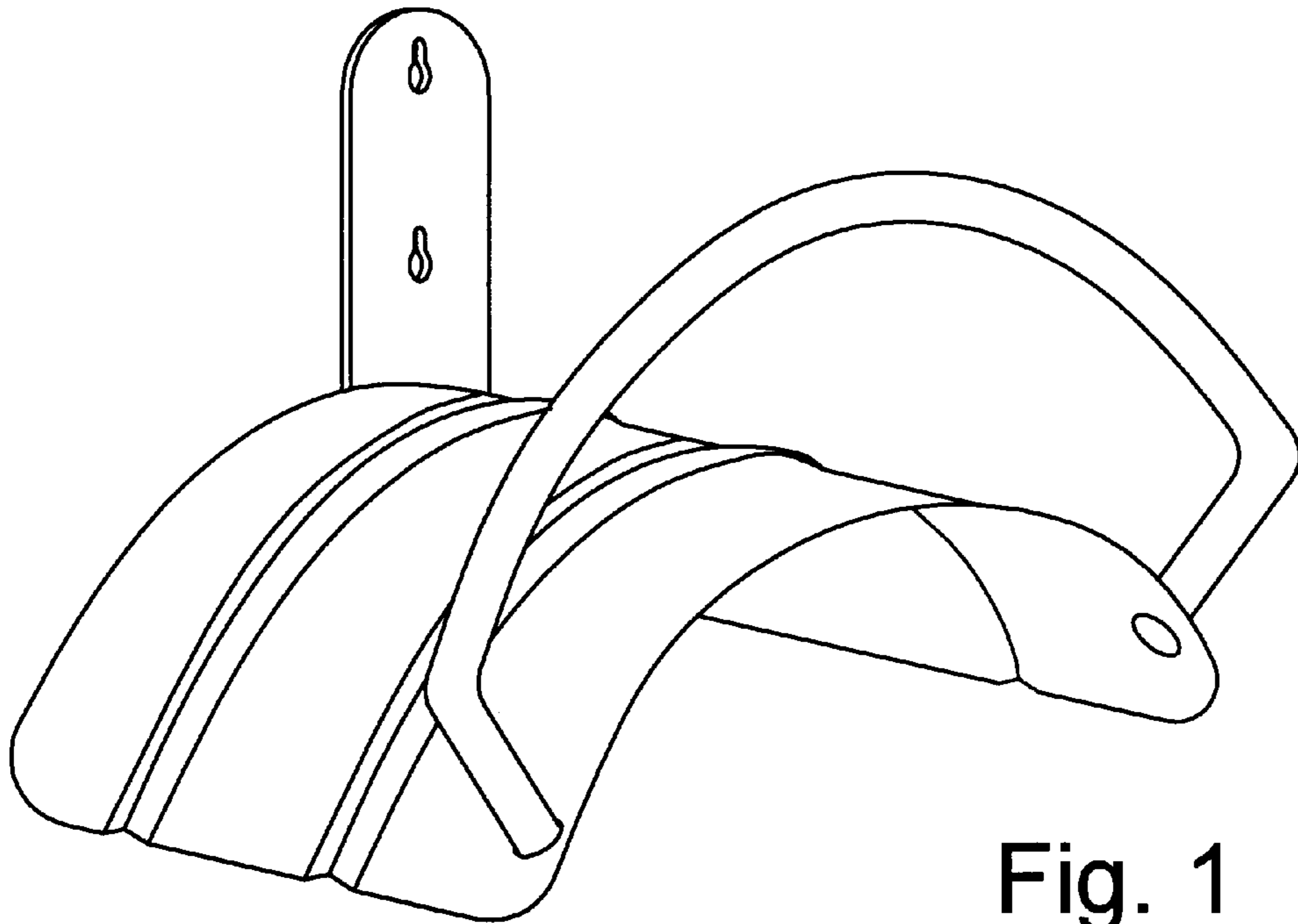


Fig. 1

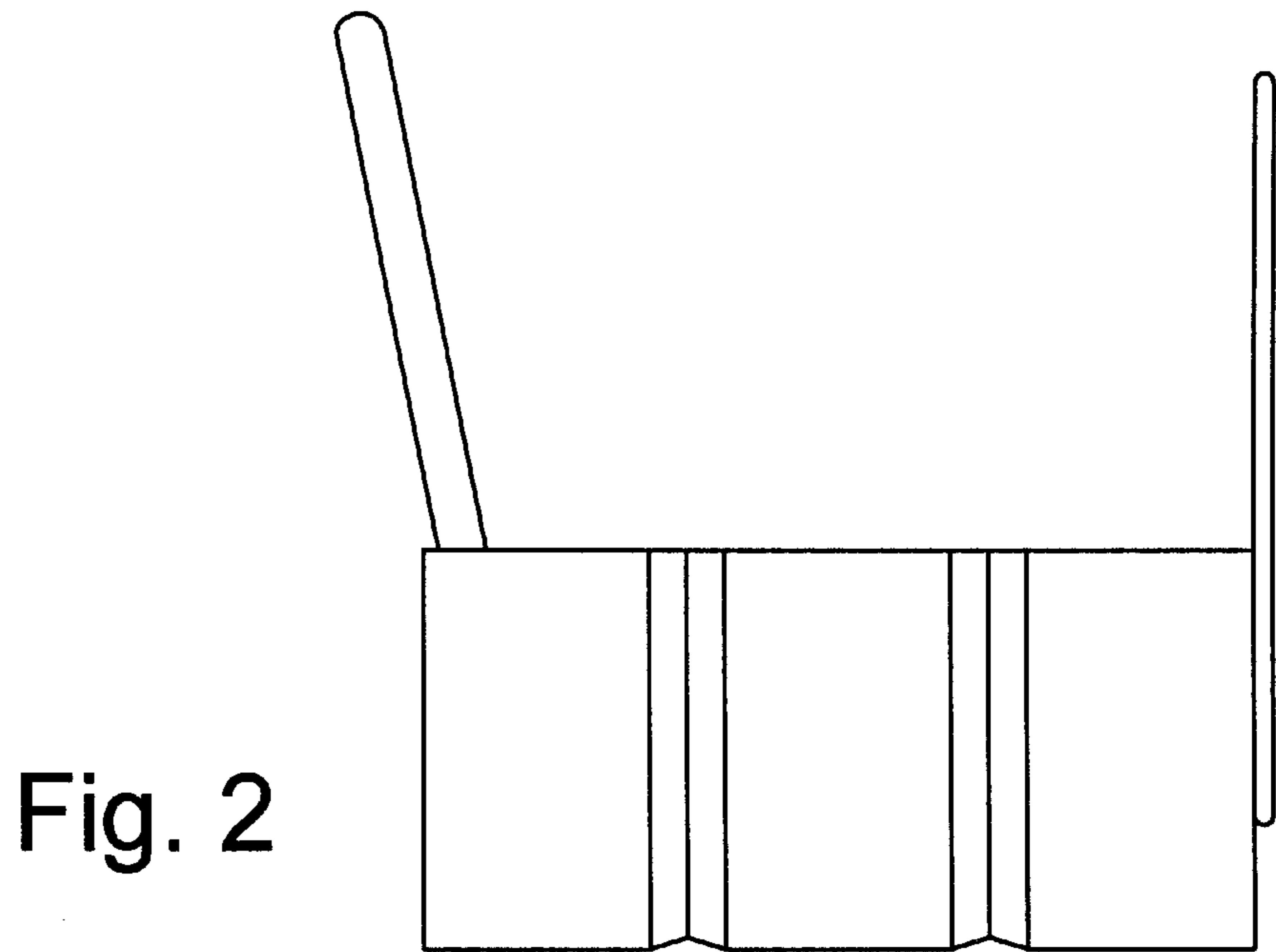


Fig. 2

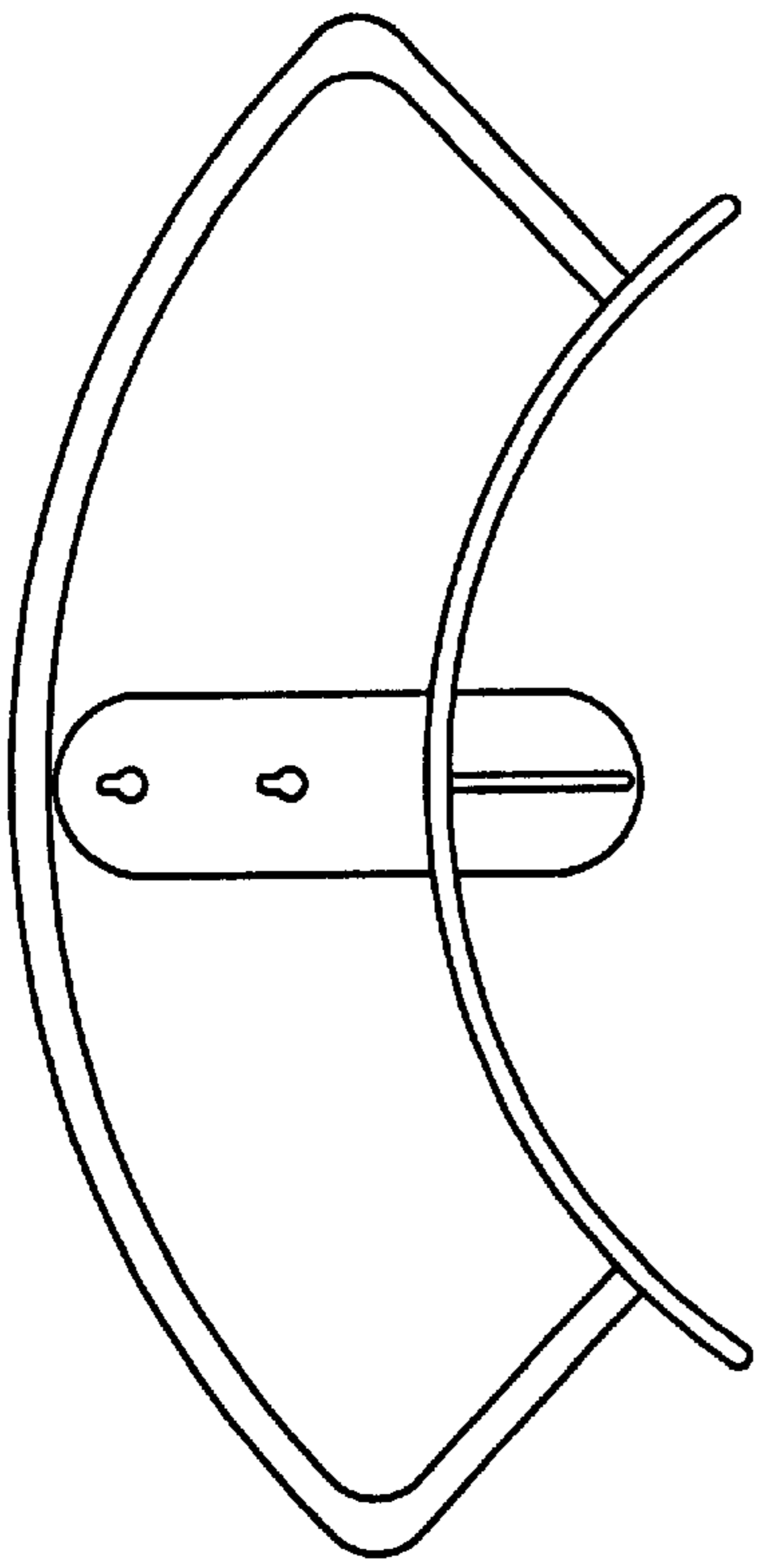


Fig. 3

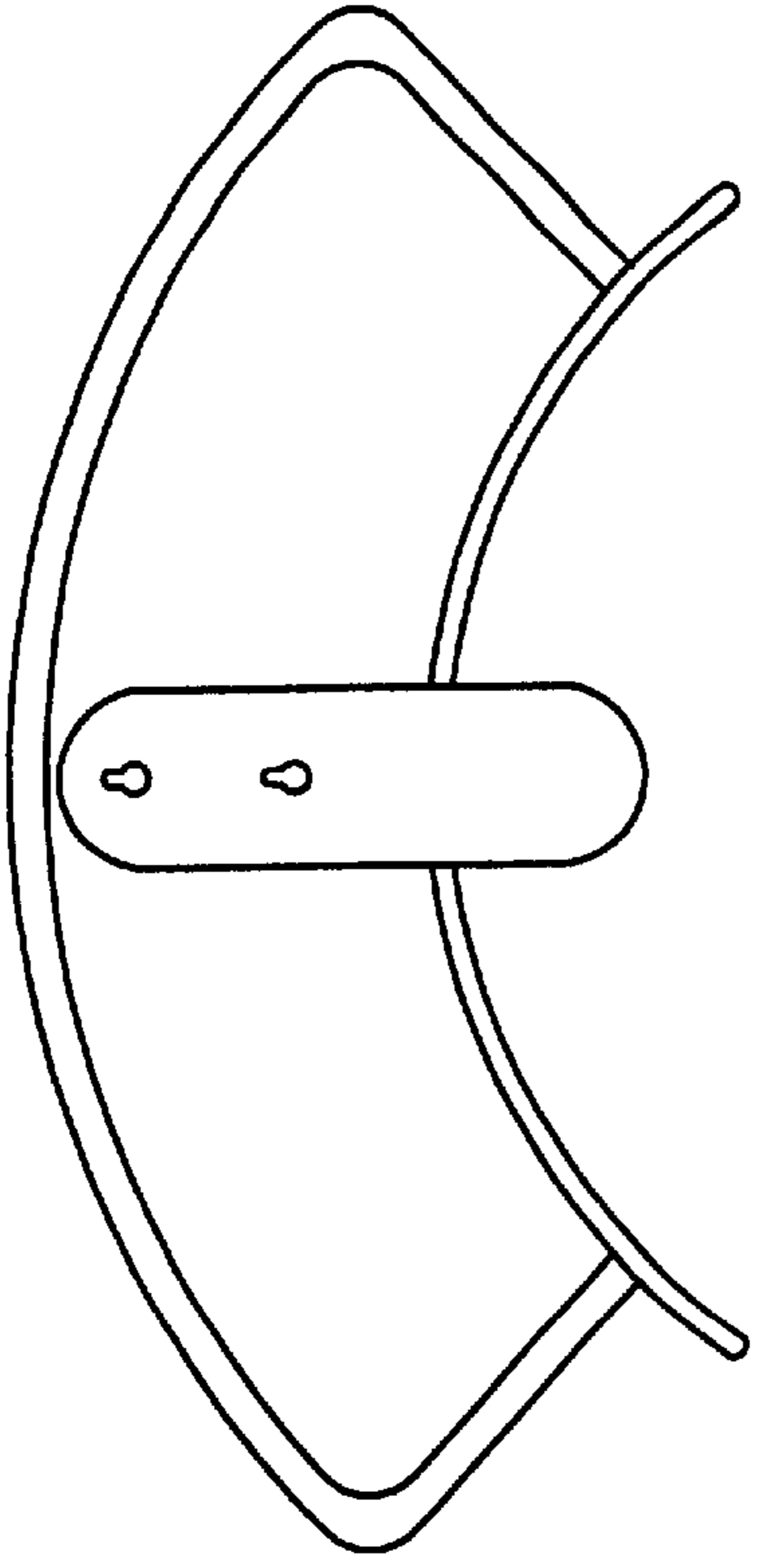


Fig. 4

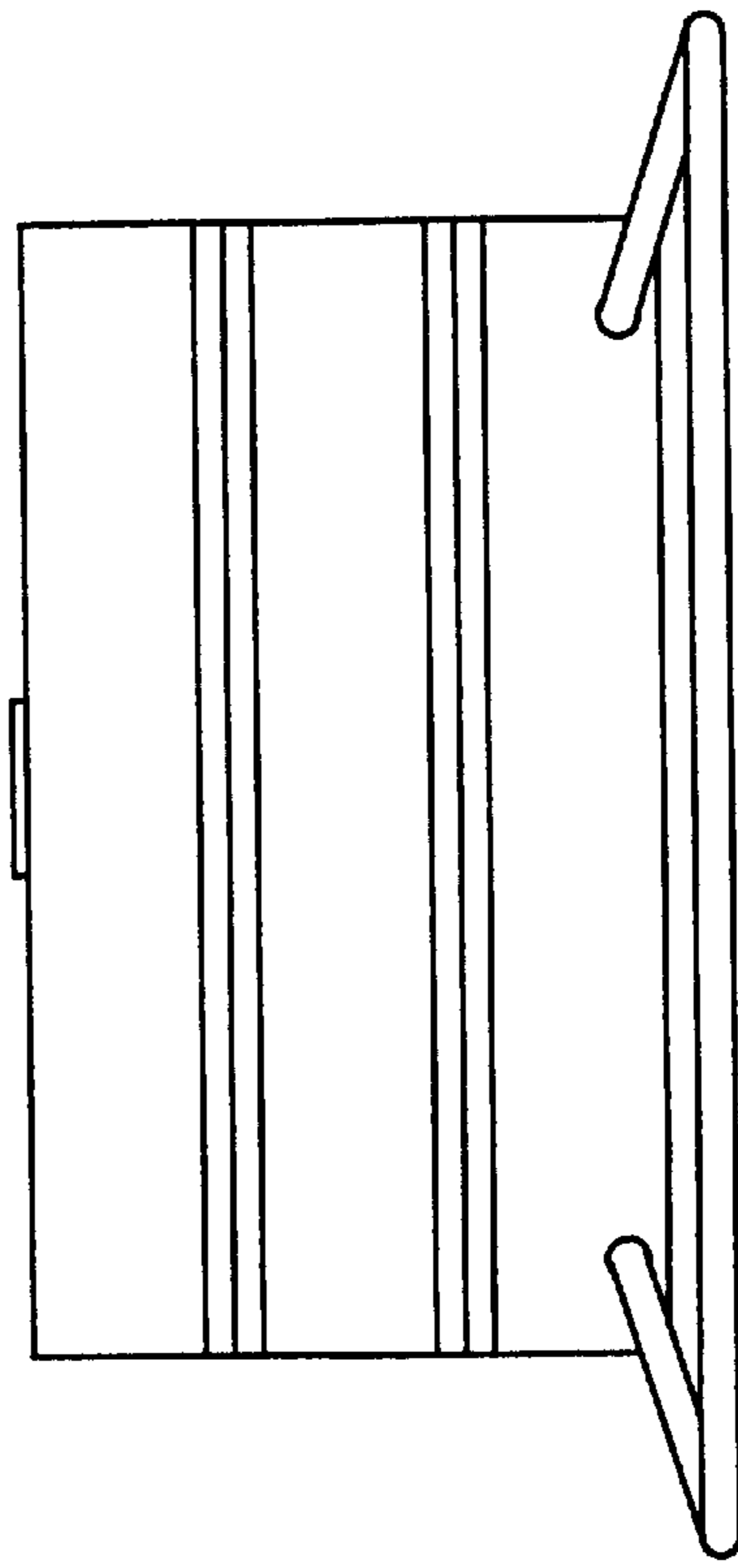


Fig. 5

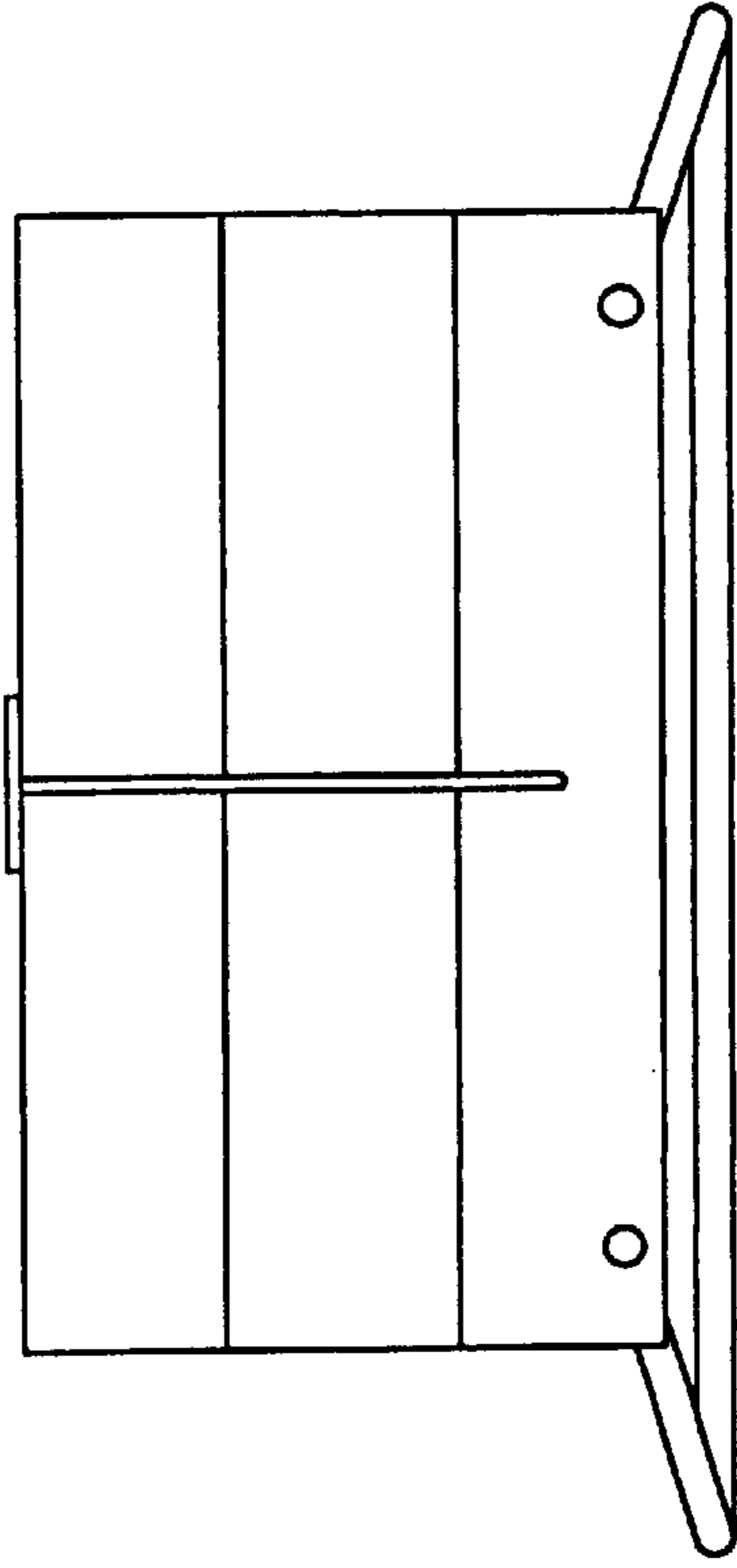


Fig. 6