



US00D462253S

(12) **United States Design Patent**
Caveney et al.

(10) **Patent No.:** **US D462,253 S**

(45) **Date of Patent:** **** Sep. 3, 2002**

(54) **FACEPLATE**

(75) Inventors: **Jack E. Caveney**, Hinsdale; **John J. Bulanda**, New Lenox; **Scott R. Hartman**, Oak Forest, all of IL (US)

(73) Assignee: **Panduit Corp.**, Tinley Park, IL (US)

(**) Term: **14 Years**

(21) Appl. No.: **29/150,544**

(22) Filed: **Nov. 14, 2001**

(51) **LOC (7) Cl.** **11-05**

(52) **U.S. Cl.** **D8/353**

(58) **Field of Search** D8/350-353; D13/177; 16/402; 220/241; 174/66; 292/357; 439/536

(56) **References Cited**

U.S. PATENT DOCUMENTS

- D374,809 S 10/1996 Scherer et al.
- D375,249 S 11/1996 Scherer et al.
- D377,535 S 1/1997 Shulman
- D387,267 S * 12/1997 Brown D8/353
- D388,311 S 12/1997 Scherer et al.
- D392,873 S 3/1998 Scherer et al.

- D406,047 S 2/1999 Scherer et al.
- D430,478 S * 9/2000 De brey et al. D8/353
- D449,217 S 10/2001 Henneberger et al.
- D450,562 S * 11/2001 Clark D8/353

* cited by examiner

Primary Examiner—B. J. Bullock

(74) *Attorney, Agent, or Firm*—Robert A. McCann; Jay A. Saltzman; Christopher S. Clancy

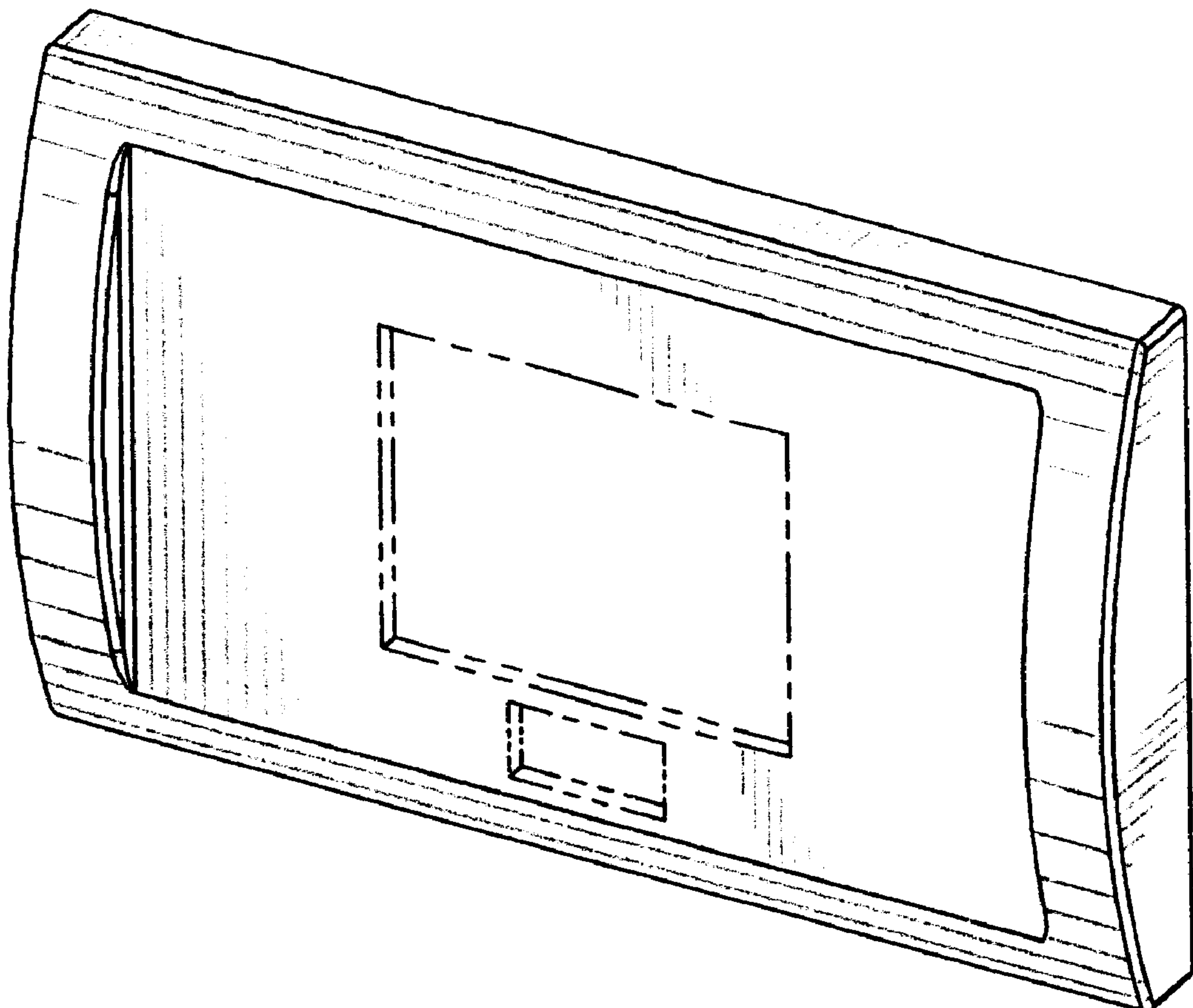
(57) **CLAIM**

The ornamental design for a faceplate, as shown and described.

DESCRIPTION

FIG. 1 is a perspective view of a faceplate showing our new design;
 FIG. 2 is a front view of the faceplate of FIG. 1;
 FIG. 3 is a right side view of the faceplate of FIG. 1, with the left side view a mirror image thereof; and,
 FIG. 4 is a top view of the faceplate of FIG. 1, with the bottom view a mirror image thereof.
 The broken lines are for illustrative purposes only and form no part of the claimed design.

1 Claim, 1 Drawing Sheet



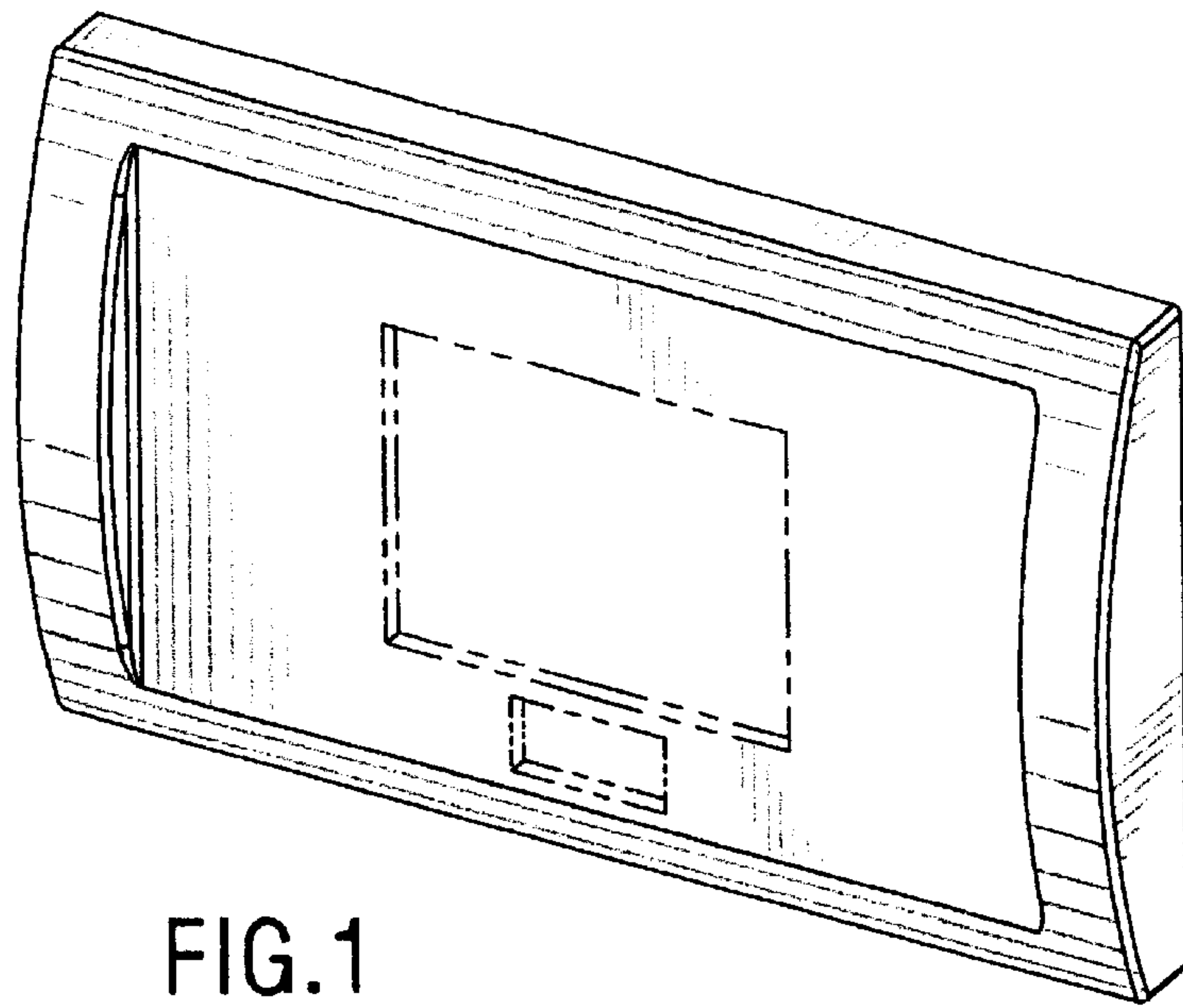


FIG. 1

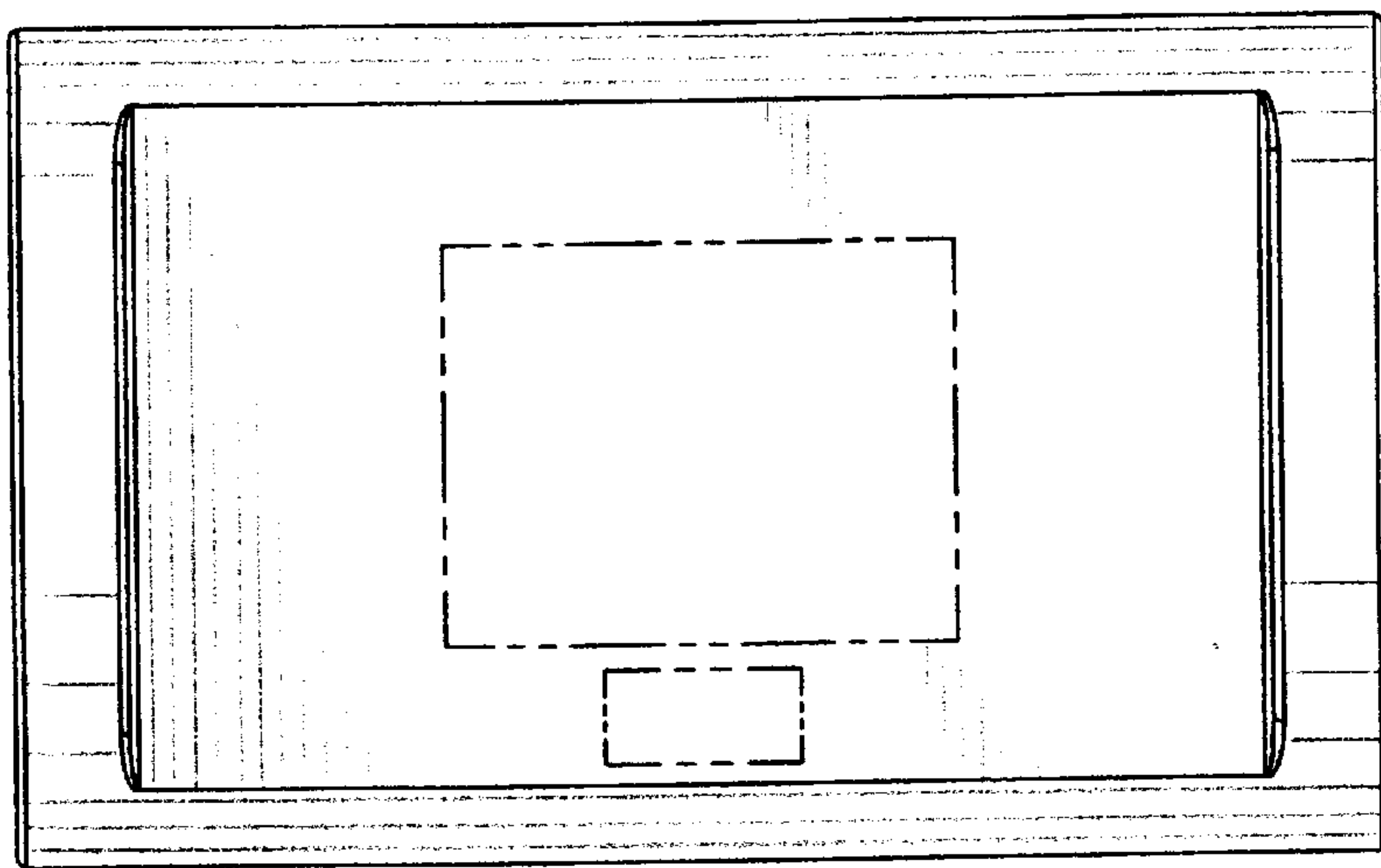


FIG. 2

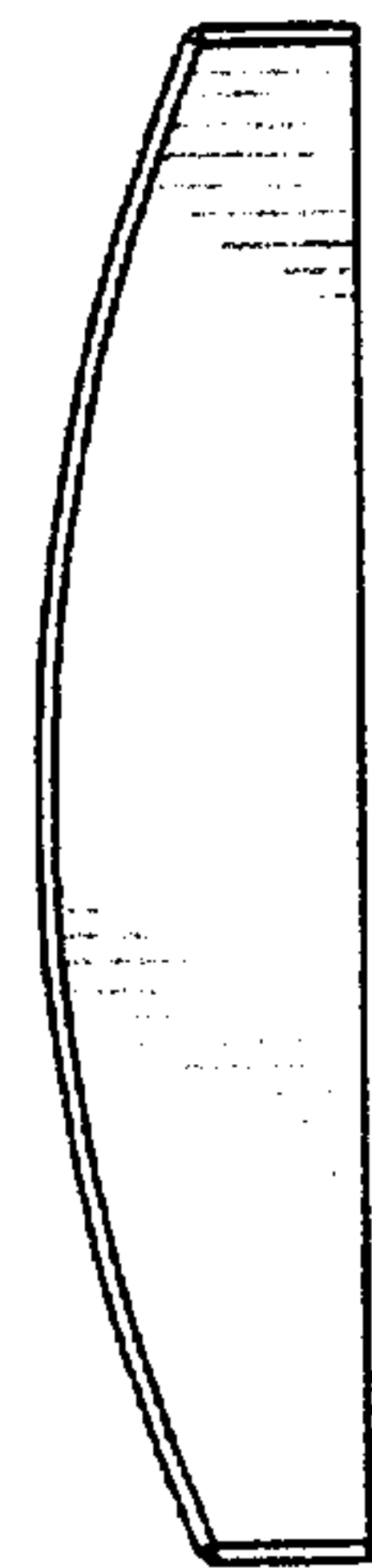


FIG. 3

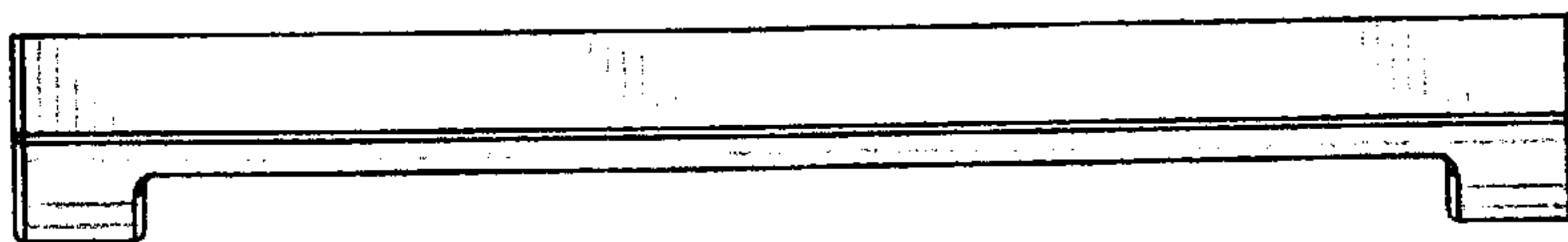


FIG. 4